



US00D833572S

(12) **United States Design Patent**
Wu et al.

(10) **Patent No.:** **US D833,572 S**

(45) **Date of Patent:** **** Nov. 13, 2018**

(54) **AERATOR**

(71) Applicant: **XIAMEN SOLEX HIGH-TECH INDUSTRIES CO., LTD.**, Xiamen, Fujian (CN)

(72) Inventors: **Shilong Wu**, Fujian (CN); **Guosong Zhao**, Fujian (CN)

(73) Assignee: **XIAMEN SOLEX HIGH-TECH INDUSTRIES CO., LTD.**, Xiamen (CN)

(**) Term: **15 Years**

(21) Appl. No.: **29/605,956**

(22) Filed: **May 31, 2017**

(30) **Foreign Application Priority Data**

May 16, 2017 (CN) 2017 3 0180299

(51) **LOC (11) Cl.** **23-01**

(52) **U.S. Cl.**
USPC **D23/213**

(58) **Field of Classification Search**
USPC D23/213, 249; 239/428.5
CPC E03C 1/08; E03C 1/084; E03C 1/086
See application file for complete search history.

(56) **References Cited**

U.S. PATENT DOCUMENTS

2,675,218 A *	4/1954	Bletcher	E03C 1/084 239/417.5
D688,774 S *	8/2013	Tempel	D23/213
D693,427 S *	11/2013	Jones	D23/213
D728,070 S *	4/2015	Schurle	D23/213
D752,709 S *	3/2016	Schurle	D23/213
D776,240 S *	1/2017	Huang	D23/213
D805,115 S *	12/2017	Williams	E03C 1/084 D15/138
D805,162 S *	12/2017	Kao	D23/213

* cited by examiner

Primary Examiner — Robin V Webster

(74) *Attorney, Agent, or Firm* — Rabin & Berdo, P.C.

(57) **CLAIM**

The ornamental design for an aerator, as shown.

DESCRIPTION

FIG. 1. is a front view of an aerator showing our new design thereof;

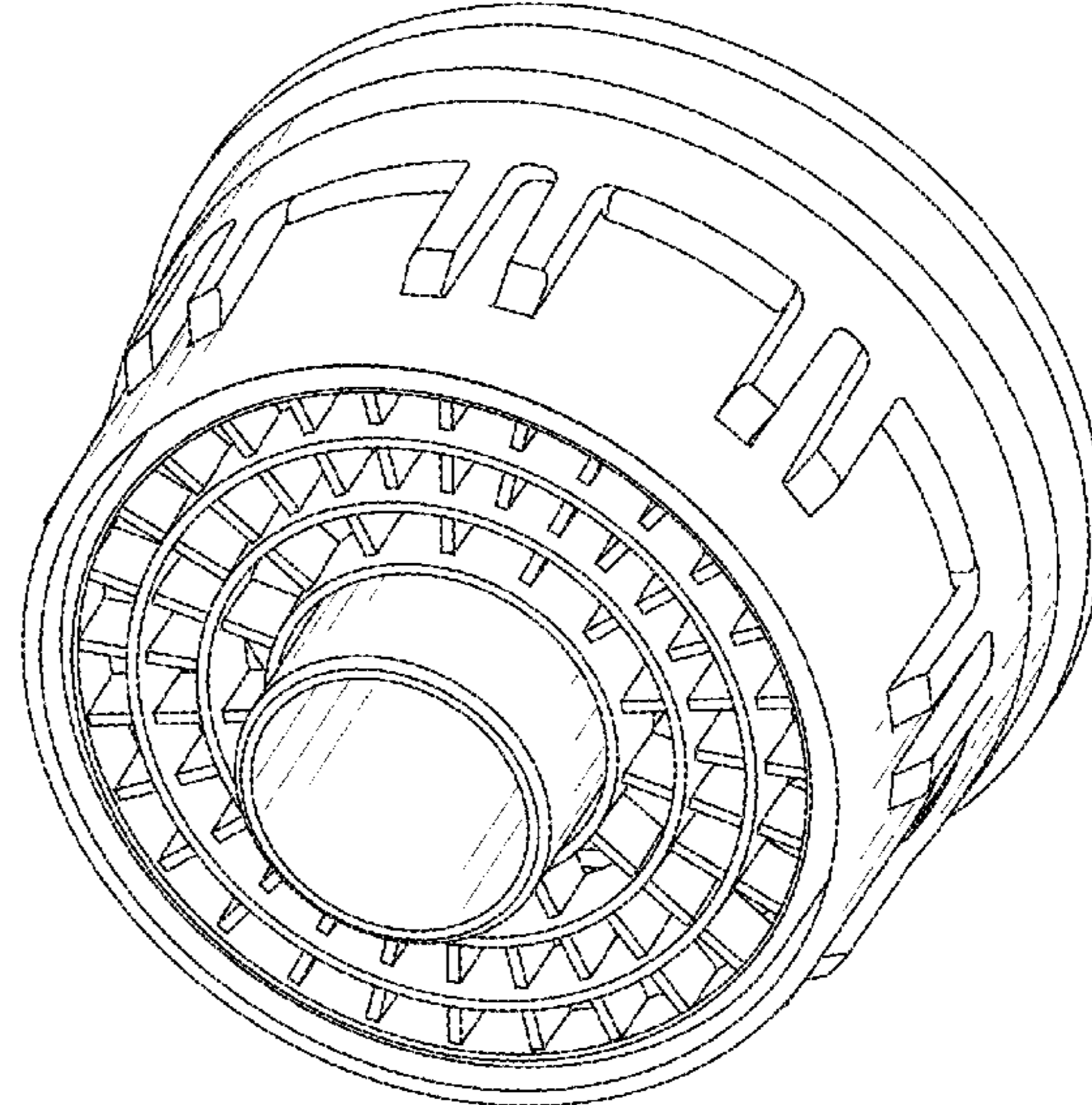
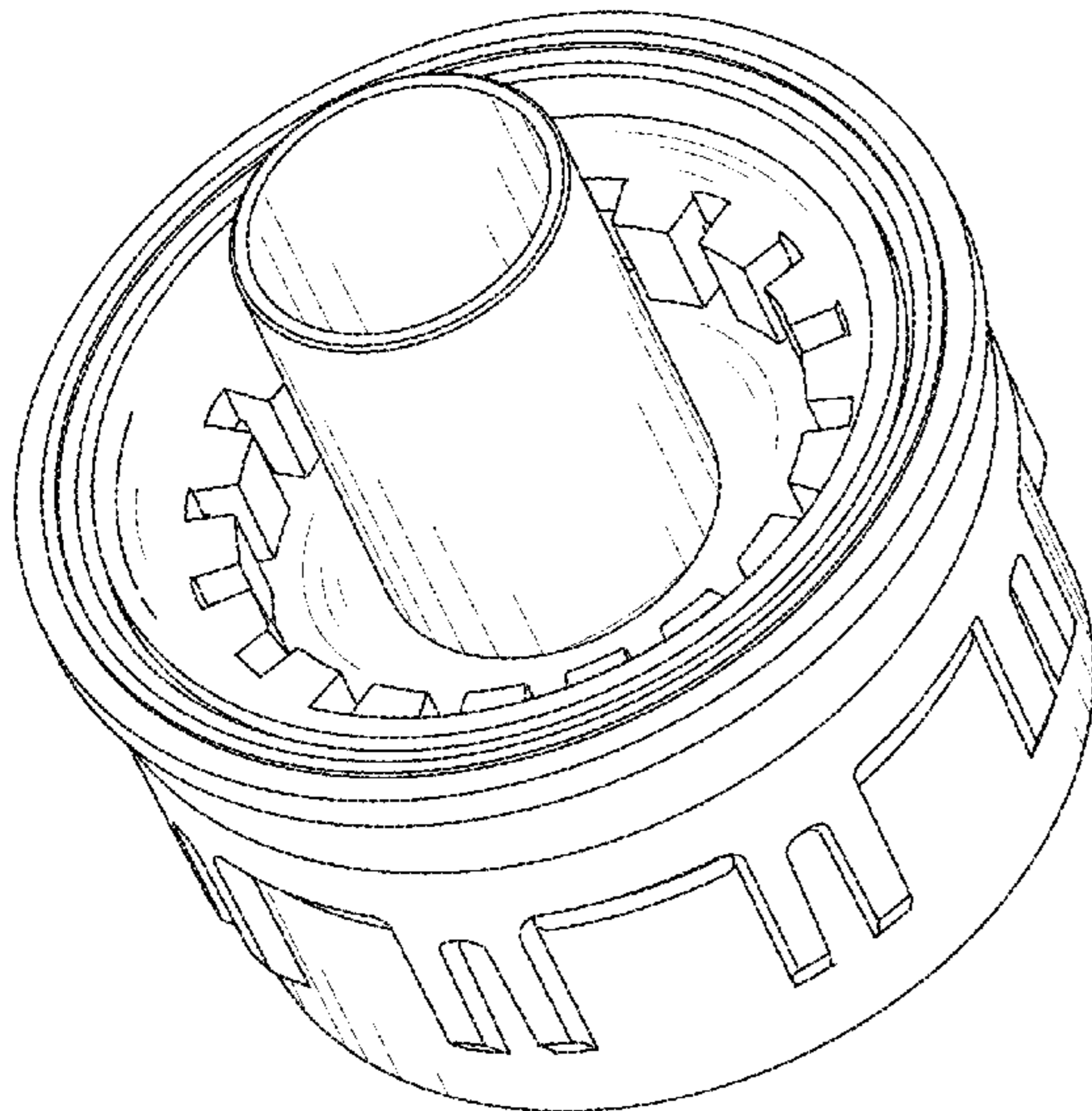
FIG. 2. is a top plan view thereof;

FIG. 3. is a bottom plan view thereof;

FIG. 4. is a perspective view thereof; and,

FIG. 5. is another perspective view thereof.

1 Claim, 5 Drawing Sheets



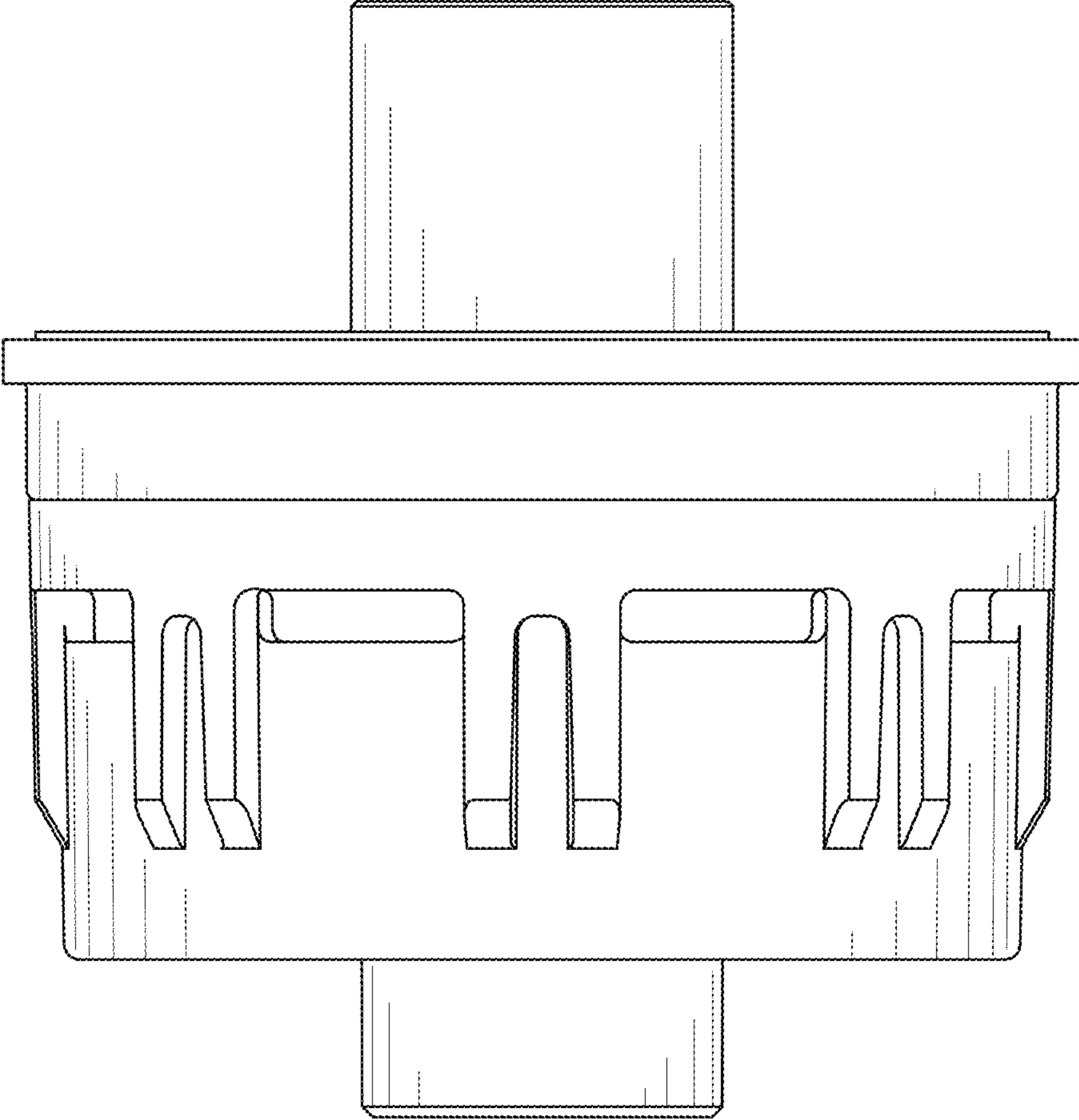


Fig. 1

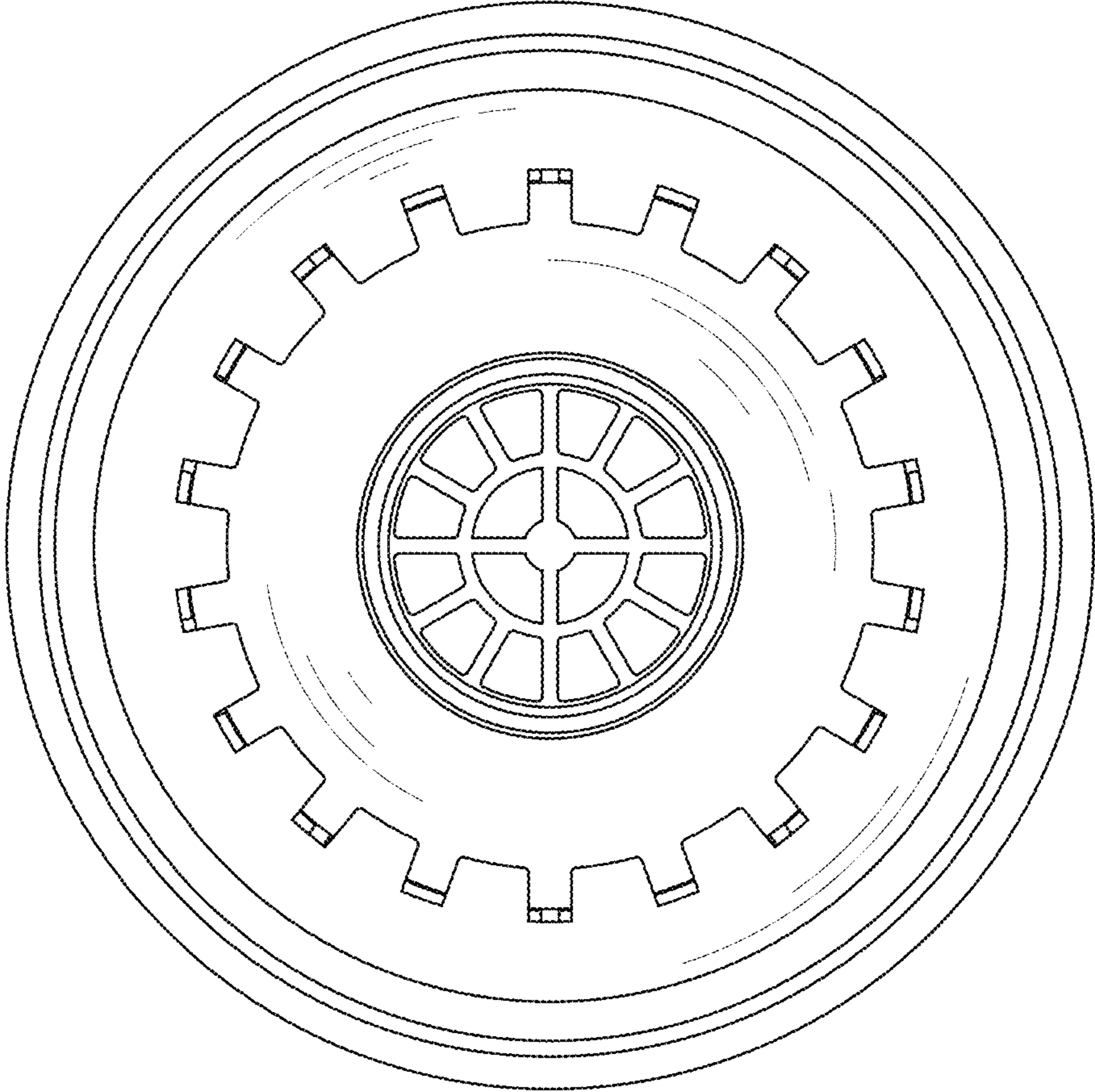


Fig. 2

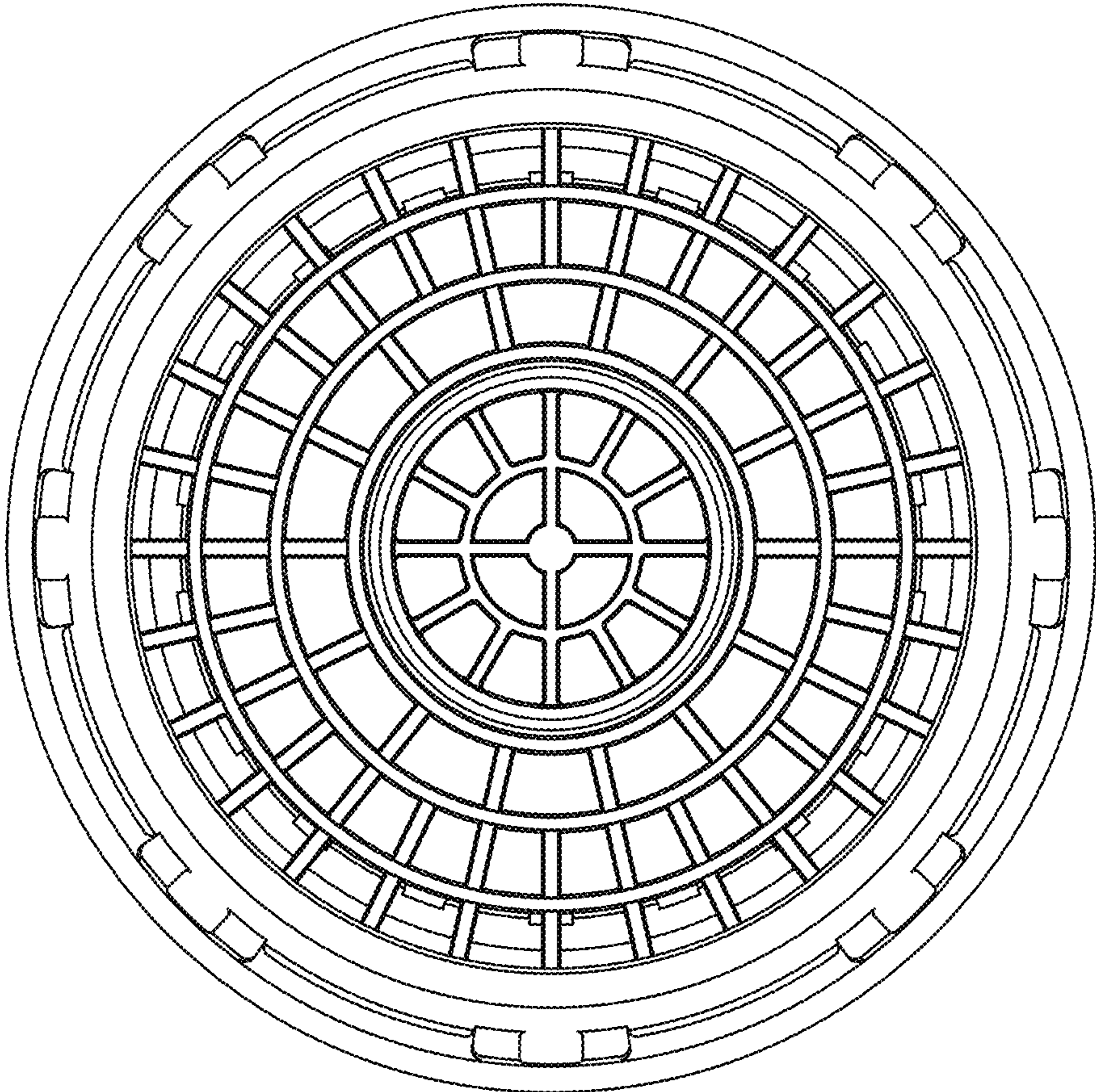


Fig. 3

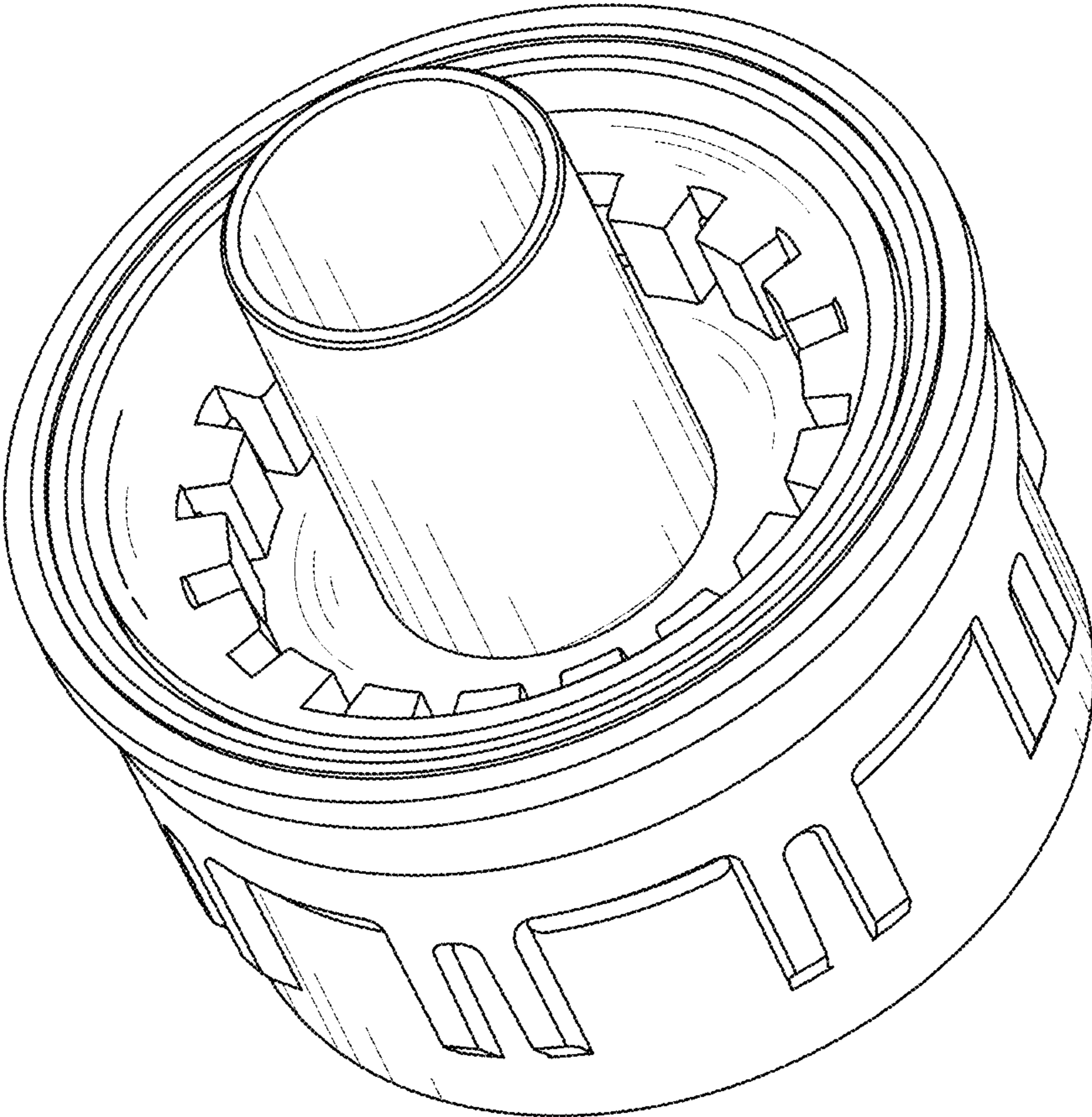


Fig. 4

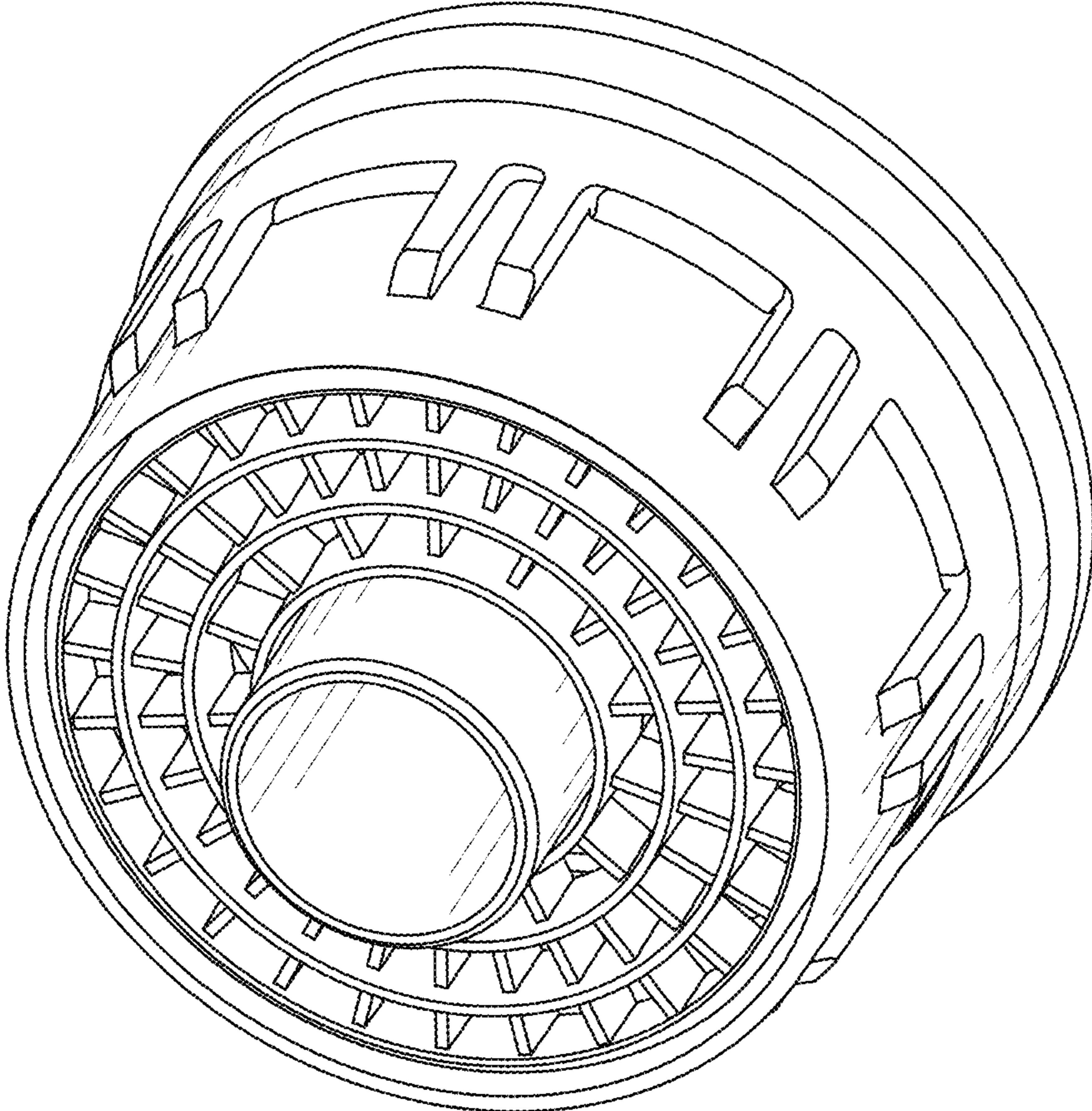


Fig. 5