



US00D833571S

(12) **United States Design Patent**
Gullicks et al.

(10) **Patent No.:** **US D833,571 S**

(45) **Date of Patent:** **** Nov. 13, 2018**

(54) **SPRAY GUN**

(71) Applicant: **3M INNOVATIVE PROPERTIES COMPANY**, St. Paul, MN (US)

(72) Inventors: **Scott D. Gullicks**, Woodbury, MN (US); **Neil Delbridge**, Atherstone (GB); **Alexander T. Ebertowski**, Burnsville, MN (US); **Anna M. Hegdahl**, Brooklyn Park, MN (US); **Stephen C. P. Joseph**, Woodbury, MN (US); **Dominic M. Pitera**, San Francisco, CA (US)

(73) Assignee: **3M Innovative Properties Company**, St. Paul, MN (US)

(**) Term: **15 Years**

(21) Appl. No.: **29/587,212**

(22) Filed: **Dec. 12, 2016**

(51) **LOC (11) Cl.** **23-01**

(52) **U.S. Cl.**
USPC **D23/213**

(58) **Field of Classification Search**
USPC D23/213, 223, 225, 226; D8/339
CPC B05B 1/005; B05B 7/0815; B05B 5/043;
B05B 5/0531; B05B 5/1691; B05B 9/01;
B05B 7/2408; B29C 47/682
See application file for complete search history.

(56) **References Cited**

U.S. PATENT DOCUMENTS

- 1,732,691 A * 10/1929 Mueller B05B 7/0815
239/301
- 3,271,059 A 9/1966 Pearson
- 5,150,804 A 9/1992 Blanchet et al.
- 5,240,133 A 8/1993 Thomas, Jr.
- 6,547,161 B1 * 4/2003 Huang B05B 7/066
239/290
- 6,662,411 B2 12/2003 Rubenstein et al.

- 7,032,839 B2 * 4/2006 Blette B05B 7/02
239/290
 - 7,083,119 B2 8/2006 Bouic et al.
 - D542,376 S * 5/2007 Blette D23/213
 - D616,961 S * 6/2010 Goetz D23/213
 - 8,196,770 B2 6/2012 Kosmyna et al.
- (Continued)

FOREIGN PATENT DOCUMENTS

- CA 2466801 12/2004
 - DE 8902223.8 5/1989
- (Continued)

OTHER PUBLICATIONS

Gunner Cup by DeVilbiss, Service Instruction, 803442/DMK-1500 Conversion Adapter, 1 page, 2011.
(Continued)

Primary Examiner — Robin V Webster

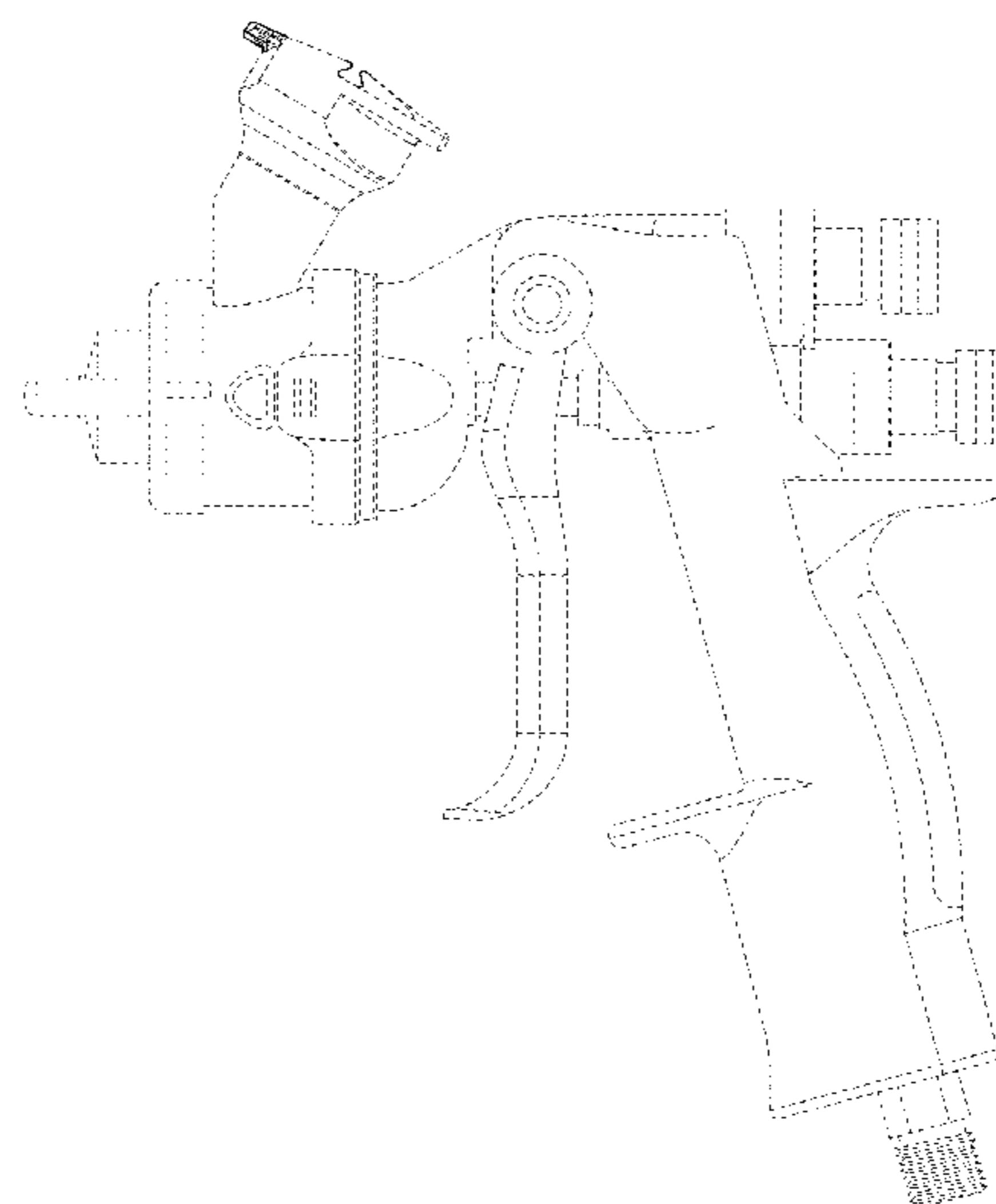
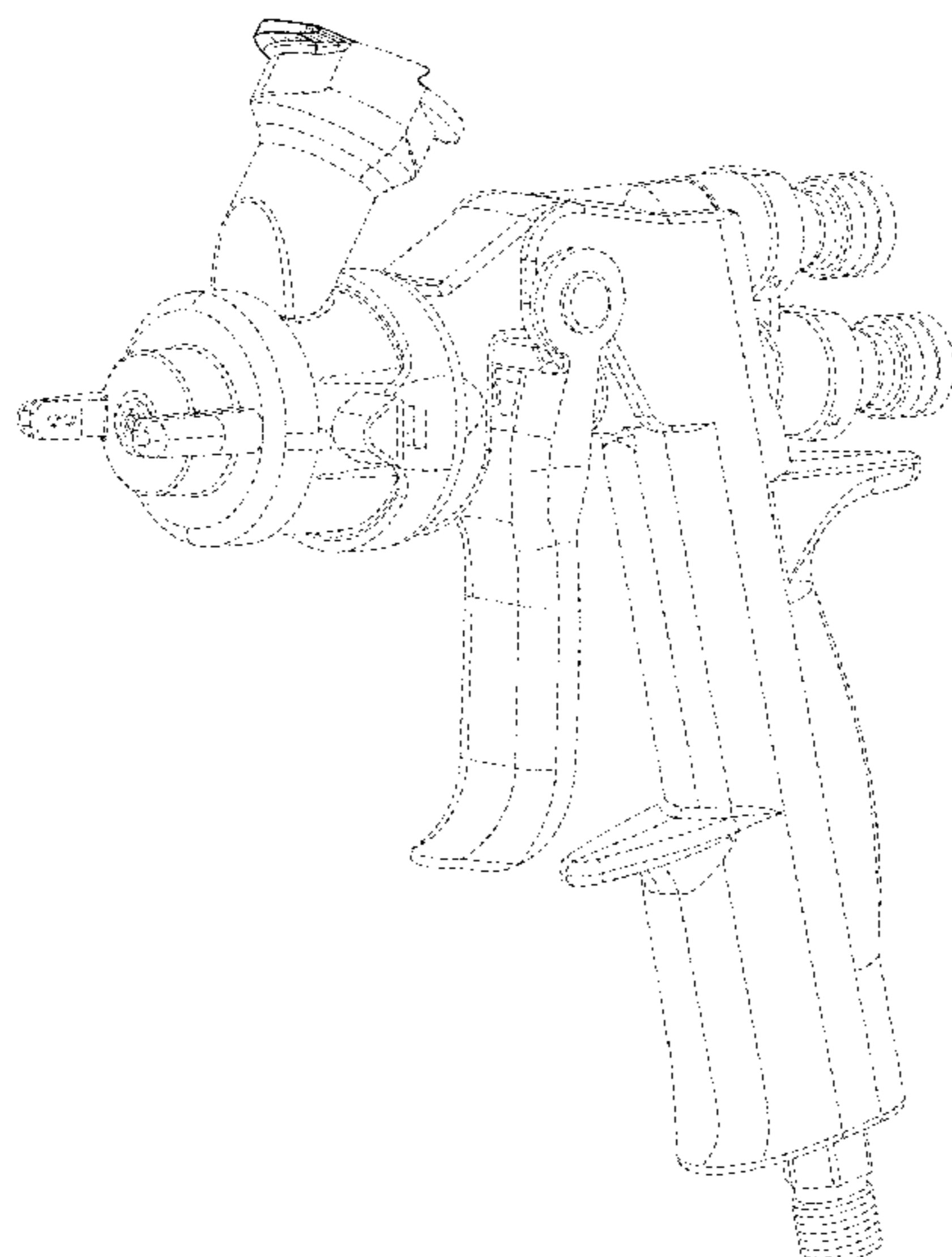
(57) **CLAIM**

The ornamental design for a spray gun, as shown and described.

DESCRIPTION

FIG. 1 is a perspective view of a new design for a spray gun. FIG. 2 is a front view thereof; FIG. 3 is a rear view thereof; FIG. 4 is a left side view thereof; FIG. 5 is a right side view thereof; FIG. 6 is a top view thereof; and, FIG. 7 is a bottom view thereof. The solid line showing illustrates the claimed features within the design for the claimed article of manufacture, while the broken line showing illustrates the non-claimed features within the design for the claimed article of manufacture. The shading is provided to illustrate contour only and is not an indication of texture, gloss, etc.

1 Claim, 5 Drawing Sheets



(56)

References Cited

U.S. PATENT DOCUMENTS

8,444,067	B2	5/2013	Schmon et al.
8,590,809	B2	11/2013	Escoto, Jr. et al.
2005/0092770	A1	5/2005	Yechouron
2006/0251473	A1	11/2006	Tyski
2012/0000992	A1	1/2012	Shih
2013/0186981	A1	7/2013	Bums
2013/0221130	A1	8/2013	Joseph et al.
2014/0178126	A1	6/2014	Bums

FOREIGN PATENT DOCUMENTS

DE	102009034715	1/2011
WO	WO 98/32539	7/1998
WO	WO 03/045575	6/2003
WO	WO 2004/052552	6/2004
WO	WO 2005/018815	3/2005
WO	WO 2008/156357	12/2008
WO	WO 2014/182722	11/2014

OTHER PUBLICATIONS

Hegdahl et al., U.S. Appl. No. 62/279,619, "Wide-Mouthed Fluid Connector for Hand-Held Spray Guns," filed Jan. 15, 2016.
Ebertowski et al., U.S. Appl. No. 62/279,537, "Button-Lock Fluid Connector for Hand-Held Spray Guns," filed Jan. 15, 2016.

* cited by examiner

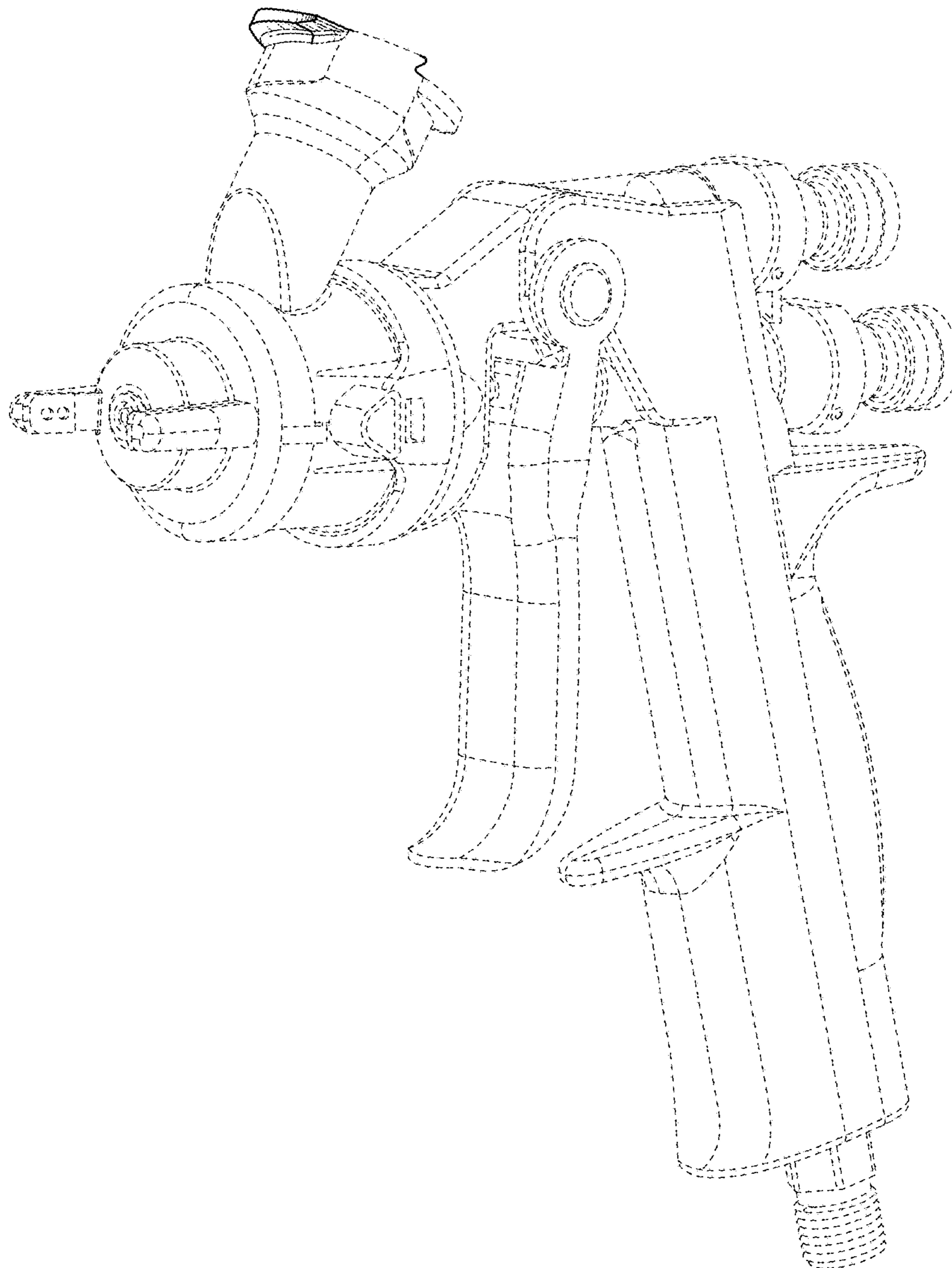


FIG. 1

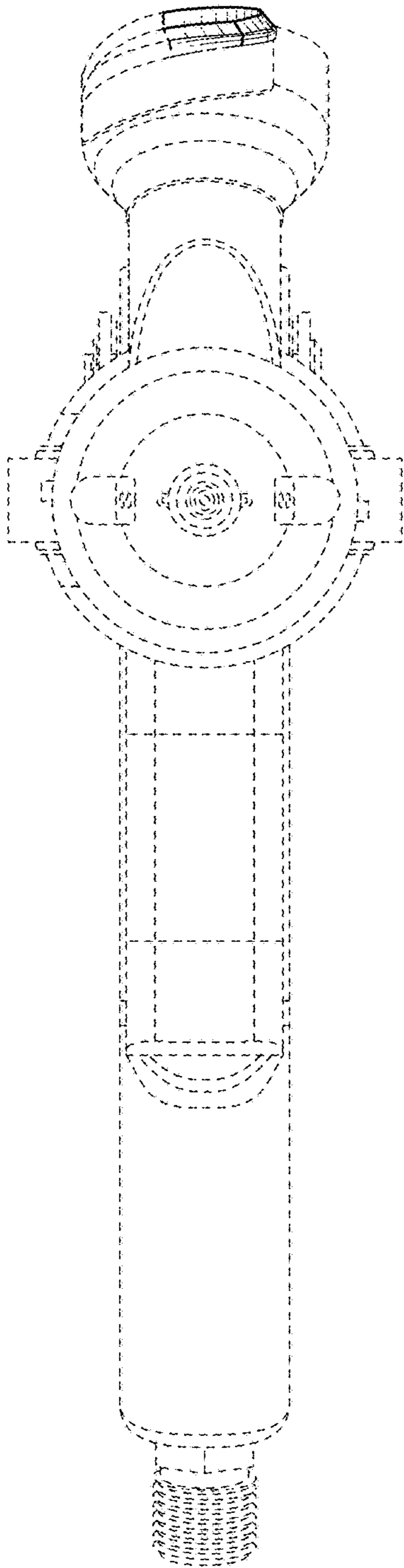


FIG. 2

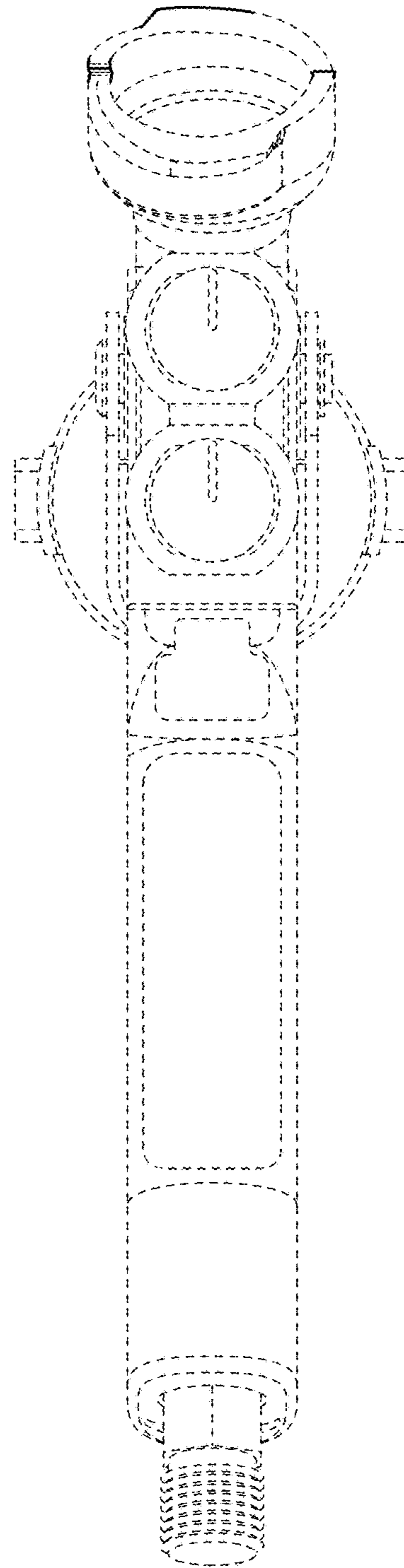


FIG. 3

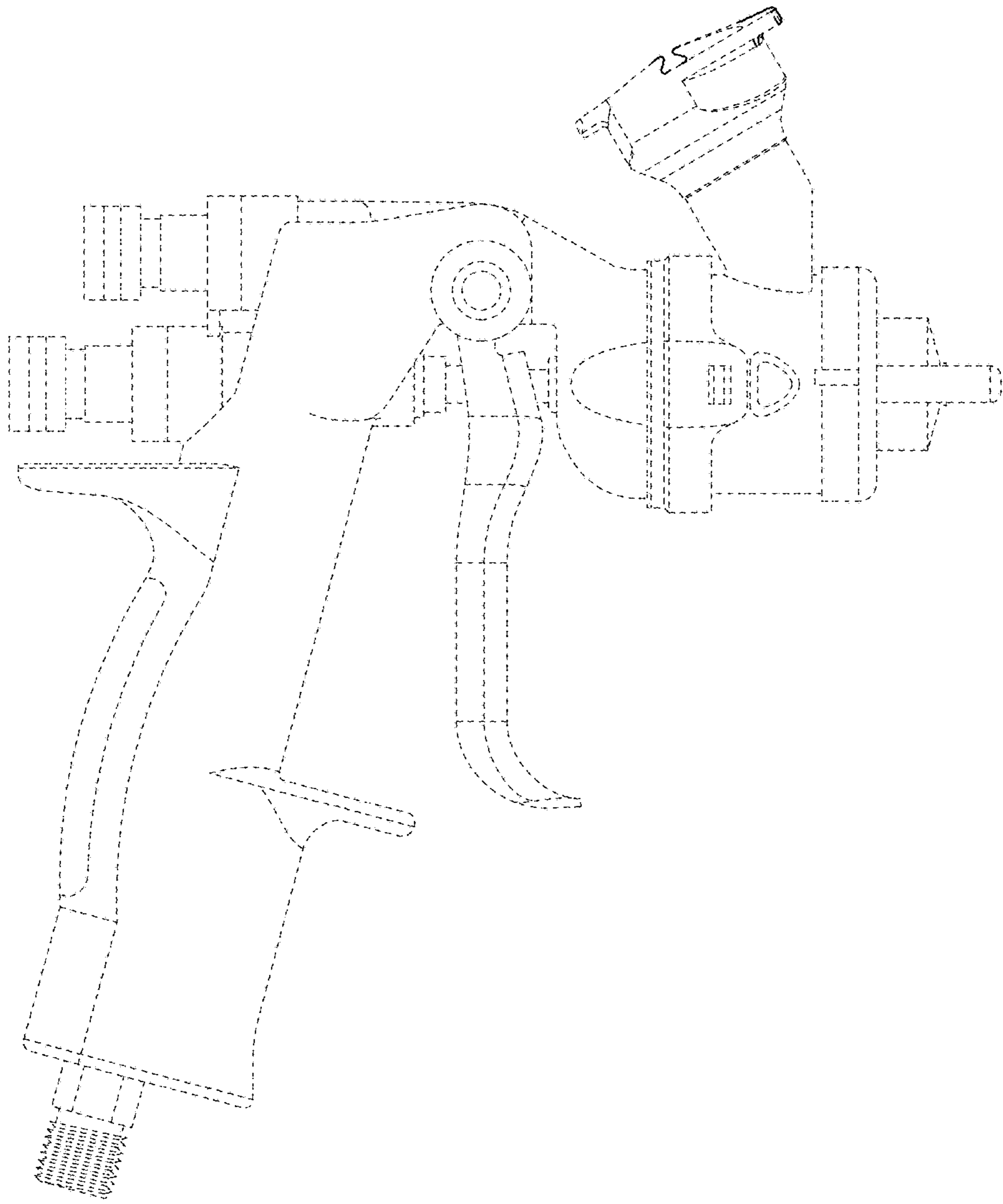


FIG. 4

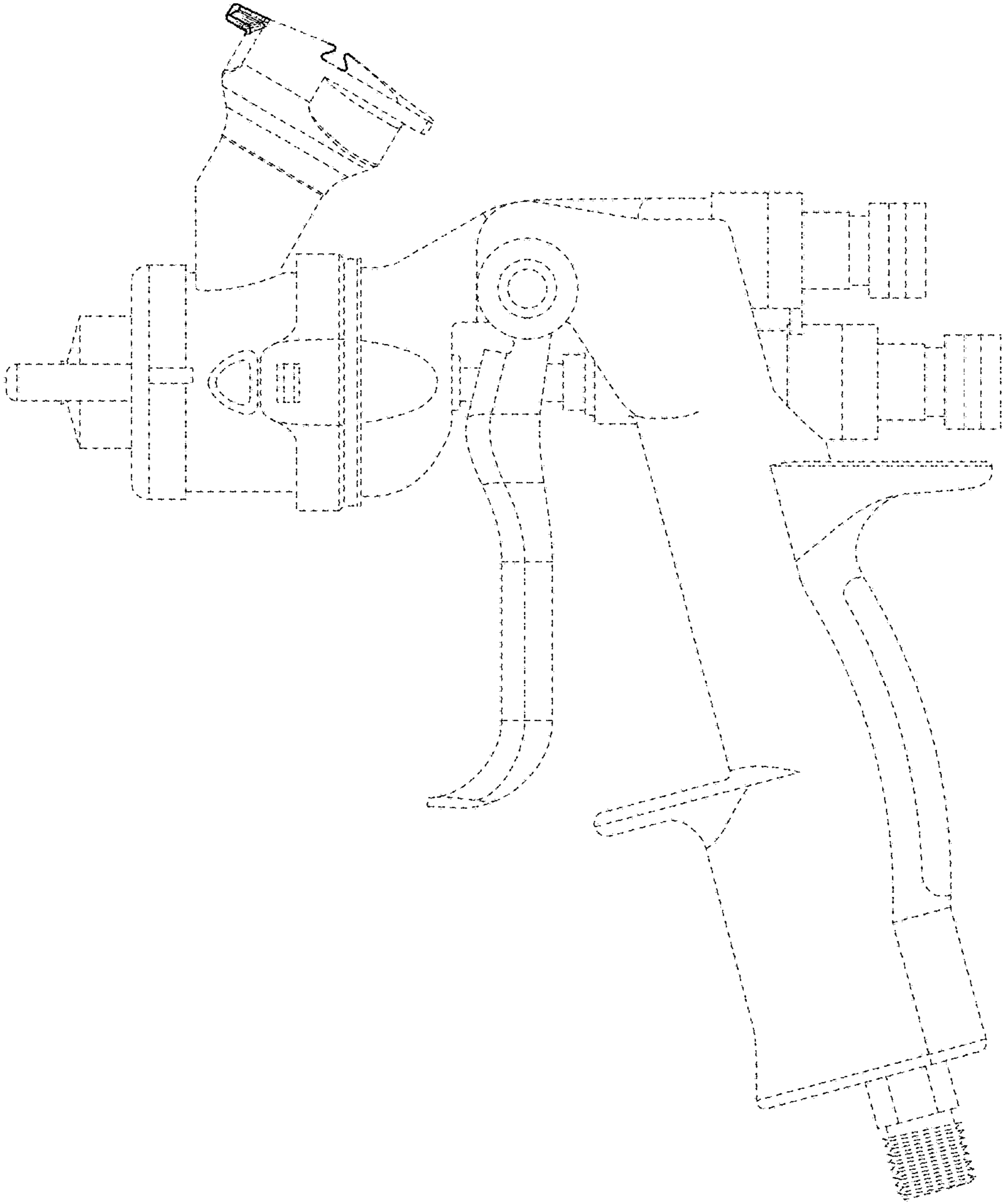


FIG. 5

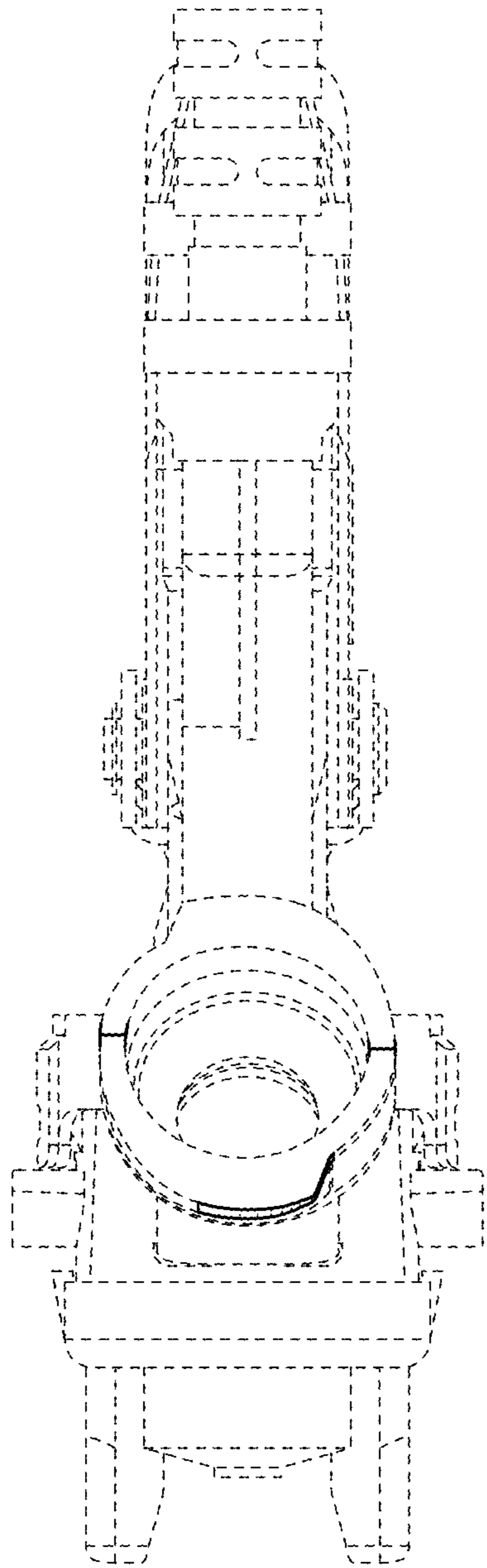


FIG. 6

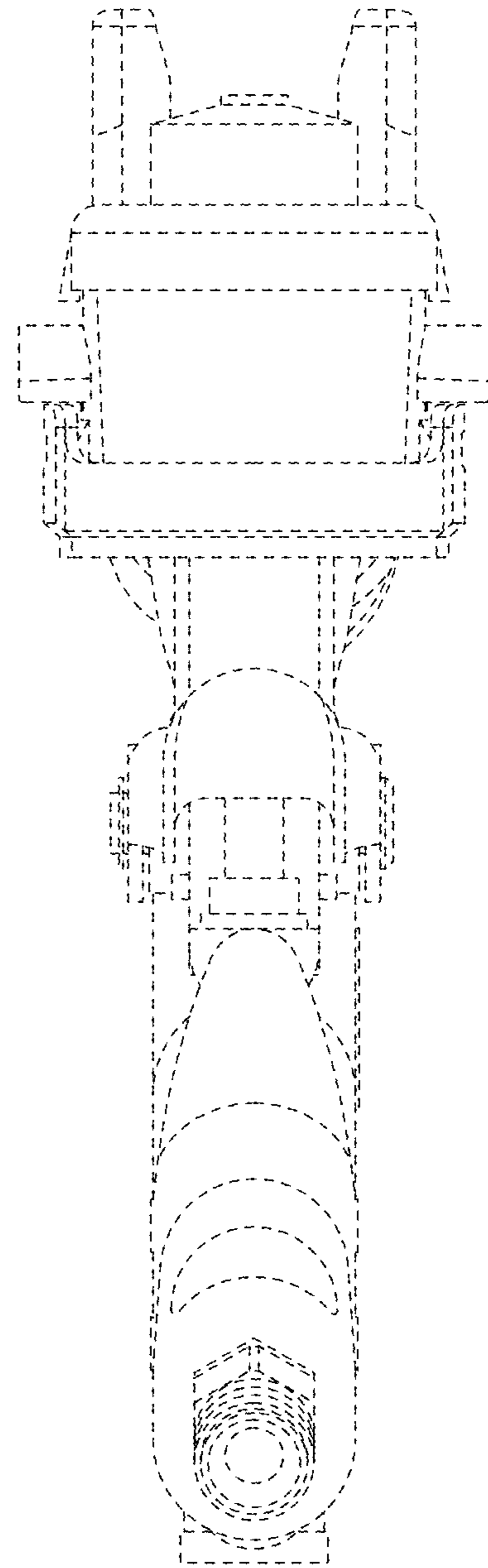


FIG. 7