

US00D833570S

(12) **United States Design Patent**
Hughes

(10) **Patent No.:** **US D833,570 S**

(45) **Date of Patent:** **** Nov. 13, 2018**

(54) **DEVICE TO LIFT A MOTION DECOY**

4,326,840 A 4/1982 Hicks
4,691,470 A 9/1987 Landell et al.
D365,136 S * 12/1995 Shaver D22/125
6,266,912 B1 * 7/2001 Jirele A01M 31/06
43/2

(71) Applicant: **Dennis Hughes**, Metropolis, IL (US)

(72) Inventor: **Dennis Hughes**, Metropolis, IL (US)

(**) Term: **15 Years**

(21) Appl. No.: **29/618,515**

(22) Filed: **Sep. 21, 2017**

(Continued)

Primary Examiner — Catherine R Oliver-Garcia
(74) *Attorney, Agent, or Firm* — Bryan Cave Leighton
Paisner LLP

(57) **CLAIM**

The ornamental design for a device to lift a motion decoy,
as shown and described.

Related U.S. Application Data

(63) Continuation of application No. 12/846,700, filed on
Jul. 29, 2010.

(51) **LOC (11) Cl.** **22-05**

(52) **U.S. Cl.**
USPC **D22/125**

(58) **Field of Classification Search**
USPC D22/119–125; 43/2–3, 42.34; 40/417,
40/493; 248/216.1, 309.1, 309.2, 684;
446/259, 264, 325, 326, 396; 434/296;
D10/59
CPC A01M 31/00; A01M 31/04; A01M 31/06;
F16B 2/20; A45F 3/44
See application file for complete search history.

DESCRIPTION

FIG. 1 is a perspective view of a device to lift a motion
decoy, with the device shown in an extended position;
FIG. 2 is a front elevation view thereof;
FIG. 3 is a rear elevation view thereof;
FIG. 4 is a right side elevation view, with the left side being
a mirror image thereof;
FIG. 5 is a top plan view of the device to lift a motion decoy;
FIG. 6 is a bottom plan view thereof;
FIG. 7 is an environmental perspective view of the device to
lift a motion decoy, shown in a contracted position;
FIG. 8 is an environmental perspective view, shown in an
extended position;
FIG. 9 is an environmental side elevation view, with the
device shown in an extended position;
FIG. 10 is an environmental perspective view, shown in a
contracted position; and,
FIG. 11 is an environmental perspective view of multiple
devices to lift a motion decoy, shown in a contracted
position.

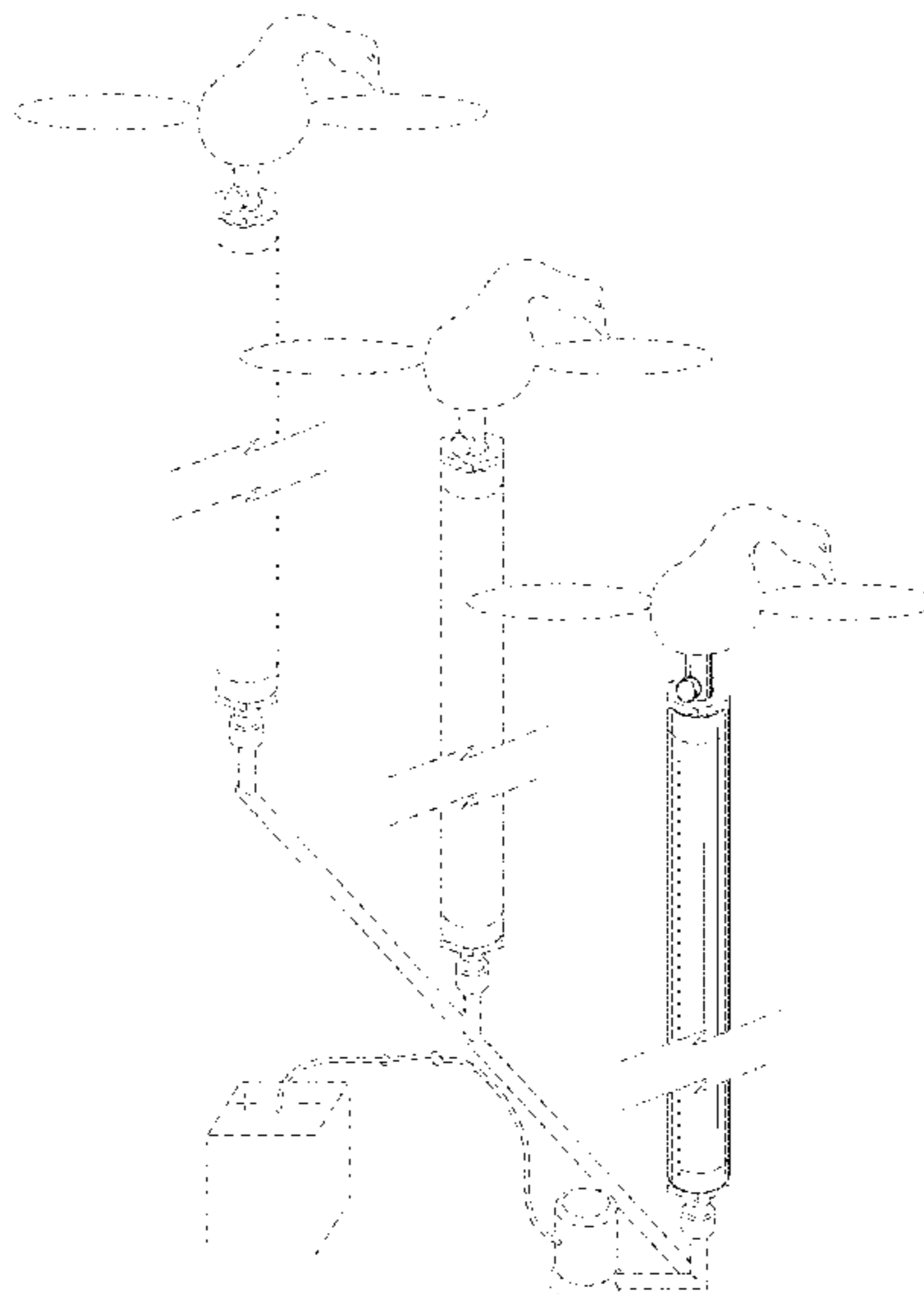
The broken dash lines appearing in the drawings illustrate
environmental structure and form no part of the claimed
design. The dot-dash lines shown in the figures indicate that
no particular length is claimed, and the area between the
dot-dash lines forms no part of the claimed design.

(56) **References Cited**

U.S. PATENT DOCUMENTS

1,916,988 A 7/1933 Pieschke
2,134,891 A * 11/1938 Reinhart, Jr. A01M 31/04
43/3
2,441,753 A * 5/1948 Carpenter A01M 31/06
43/3
2,483,680 A * 10/1949 Timm A01M 31/06
43/3
D161,716 S * 1/1951 Starkey 43/42.34
2,787,074 A * 4/1957 Miller A01M 31/06
43/3
4,216,610 A 8/1980 Ferris

1 Claim, 8 Drawing Sheets



(56)

References Cited

U.S. PATENT DOCUMENTS

6,442,884 B1 * 9/2002 Sceery A01M 31/06
43/2
6,527,197 B1 3/2003 Lin
6,877,267 B2 4/2005 Burton
7,207,535 B1 * 4/2007 Giuliani A01M 31/06
248/216.1
D635,636 S * 4/2011 Bekkala D22/129
8,256,155 B1 9/2012 Goodwill
8,316,575 B2 * 11/2012 Bradley A01M 31/06
43/2
8,627,592 B2 * 1/2014 Sloop A01M 31/06
43/2
8,893,426 B2 * 11/2014 Jaeger A45F 3/44
43/3
9,044,006 B1 * 6/2015 O'Neil A01M 31/06
D757,209 S * 5/2016 Boudwin D22/125
9,482,252 B2 * 11/2016 Olien F16B 2/20
D784,169 S * 4/2017 Druliner D10/59
2007/0000942 A1 1/2007 Wong
2007/0143903 A1 6/2007 Marlow

* cited by examiner

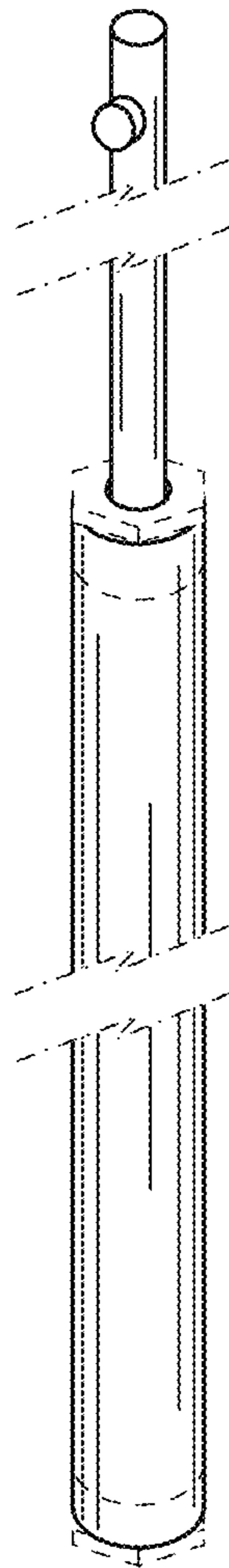


FIG. 1

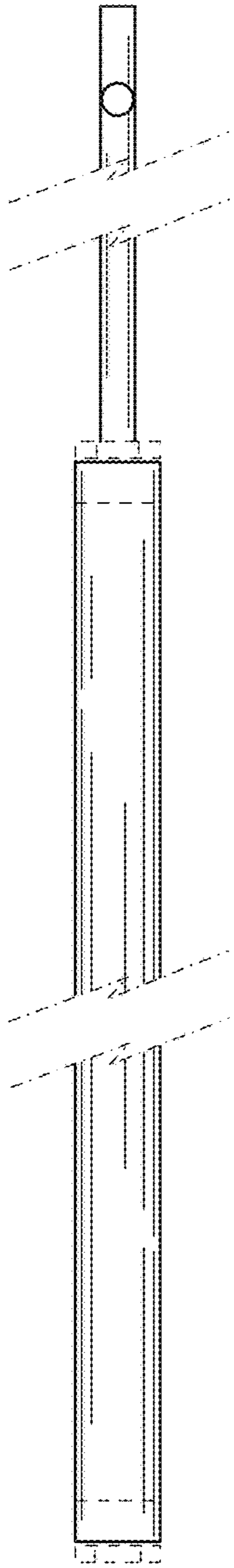


FIG. 2

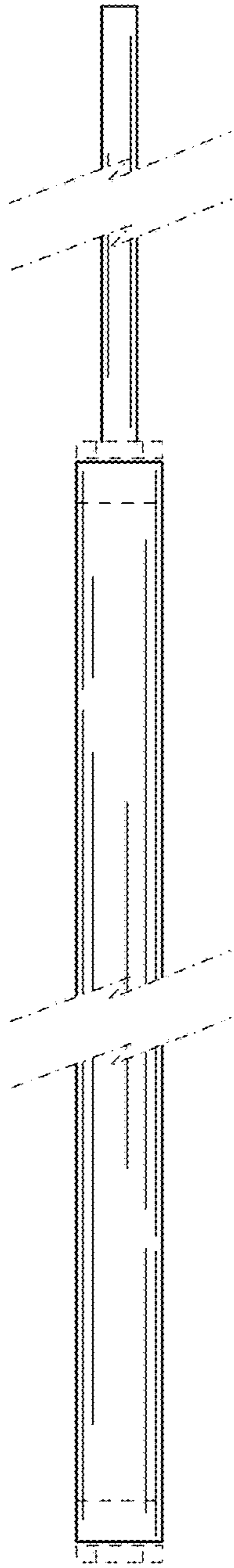


FIG. 3

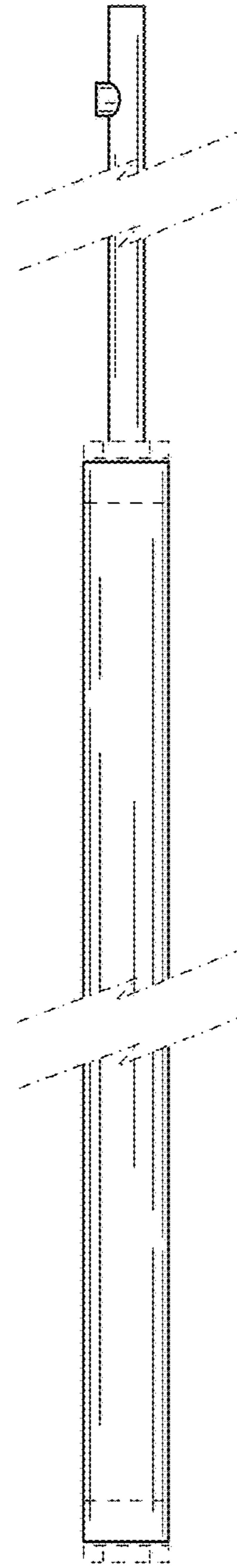


FIG. 4

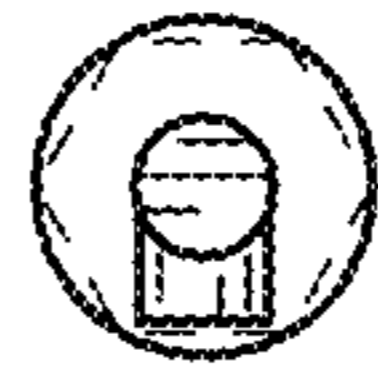


FIG. 5



FIG. 6

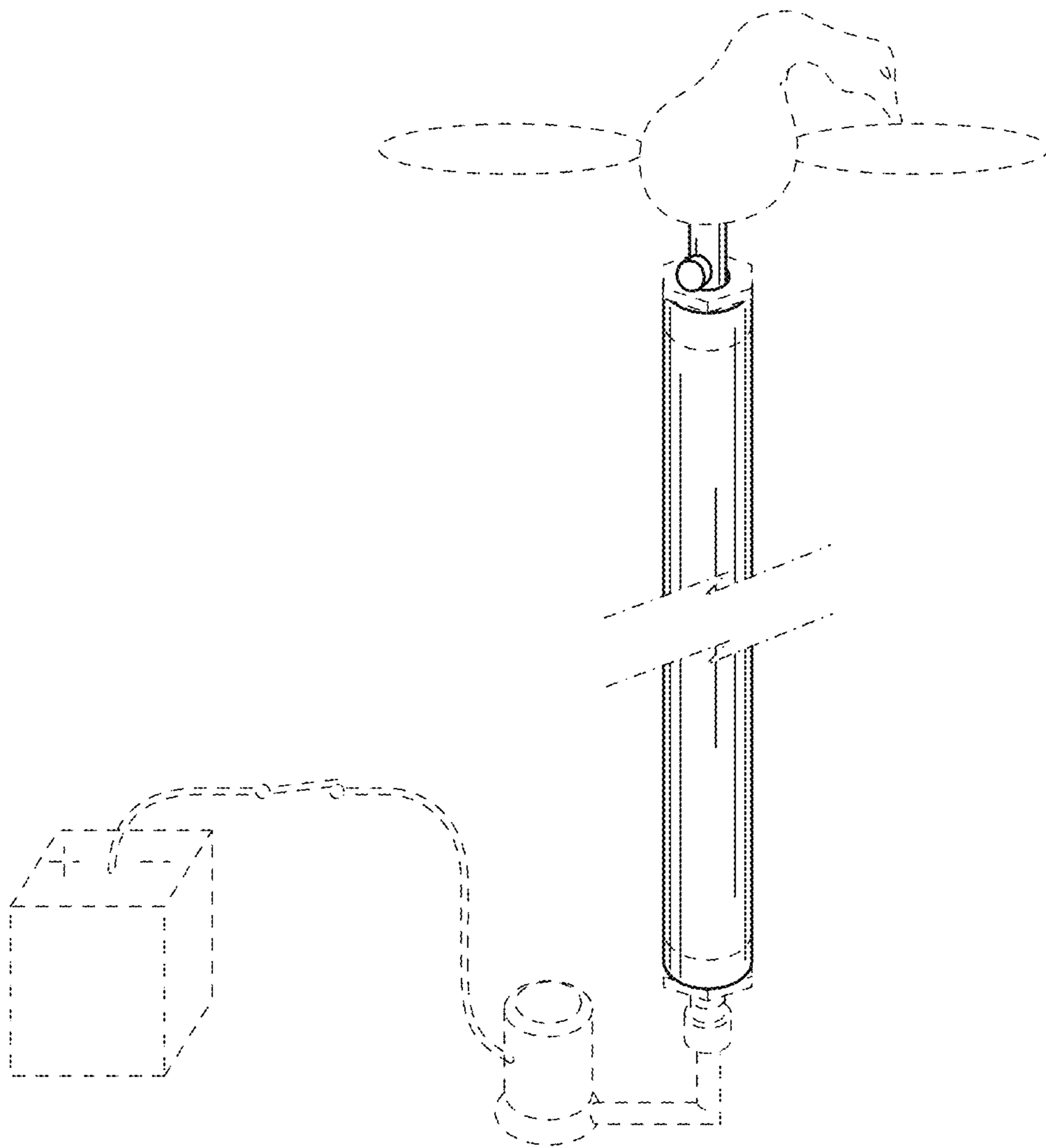


FIG. 7

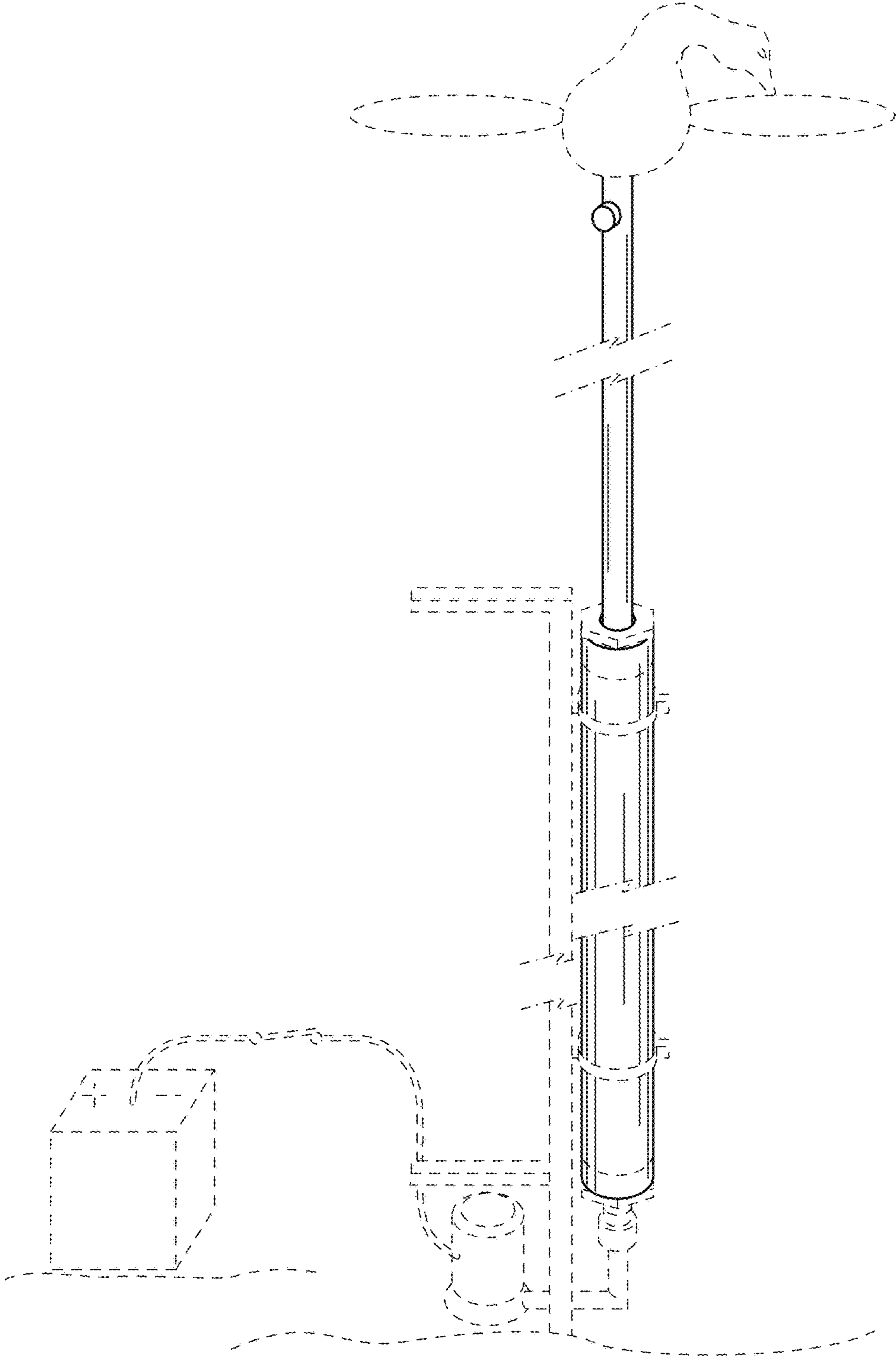


FIG. 8

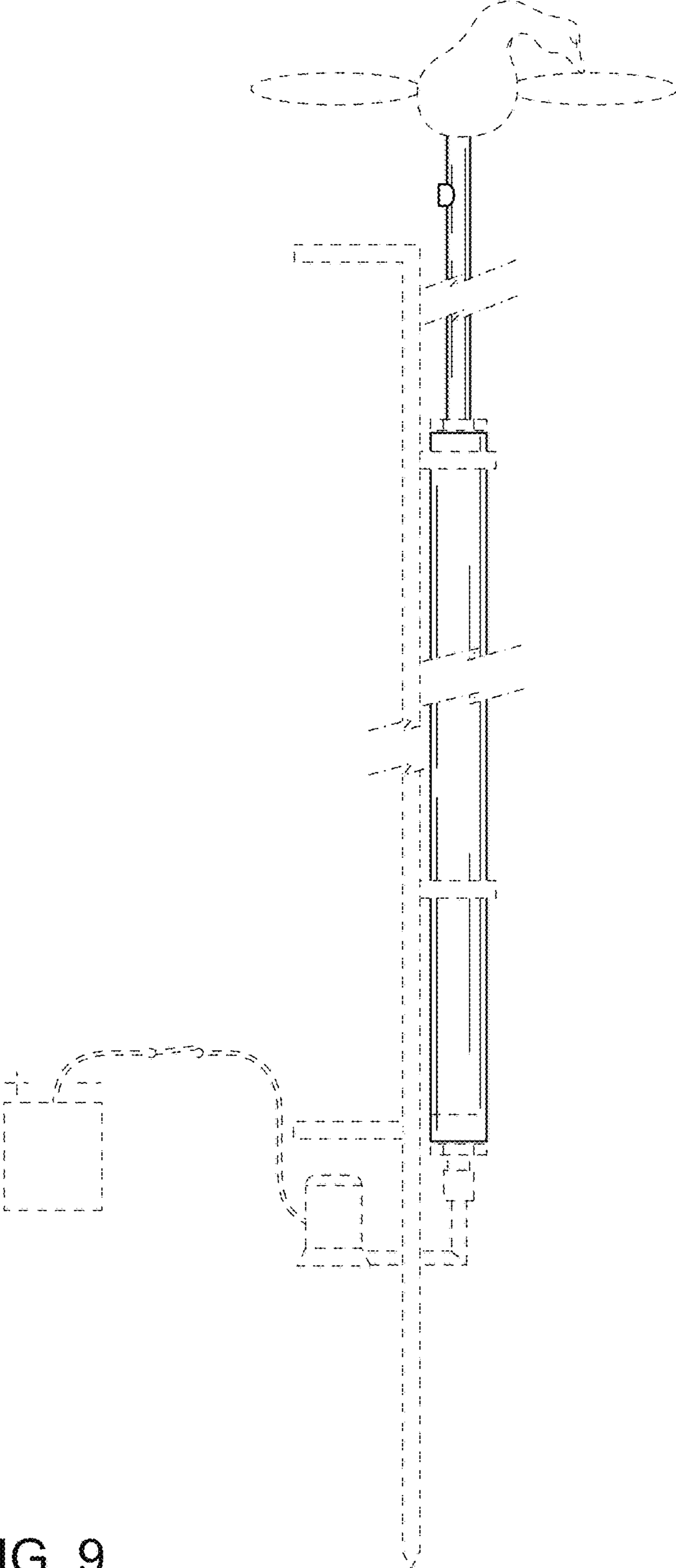


FIG. 9

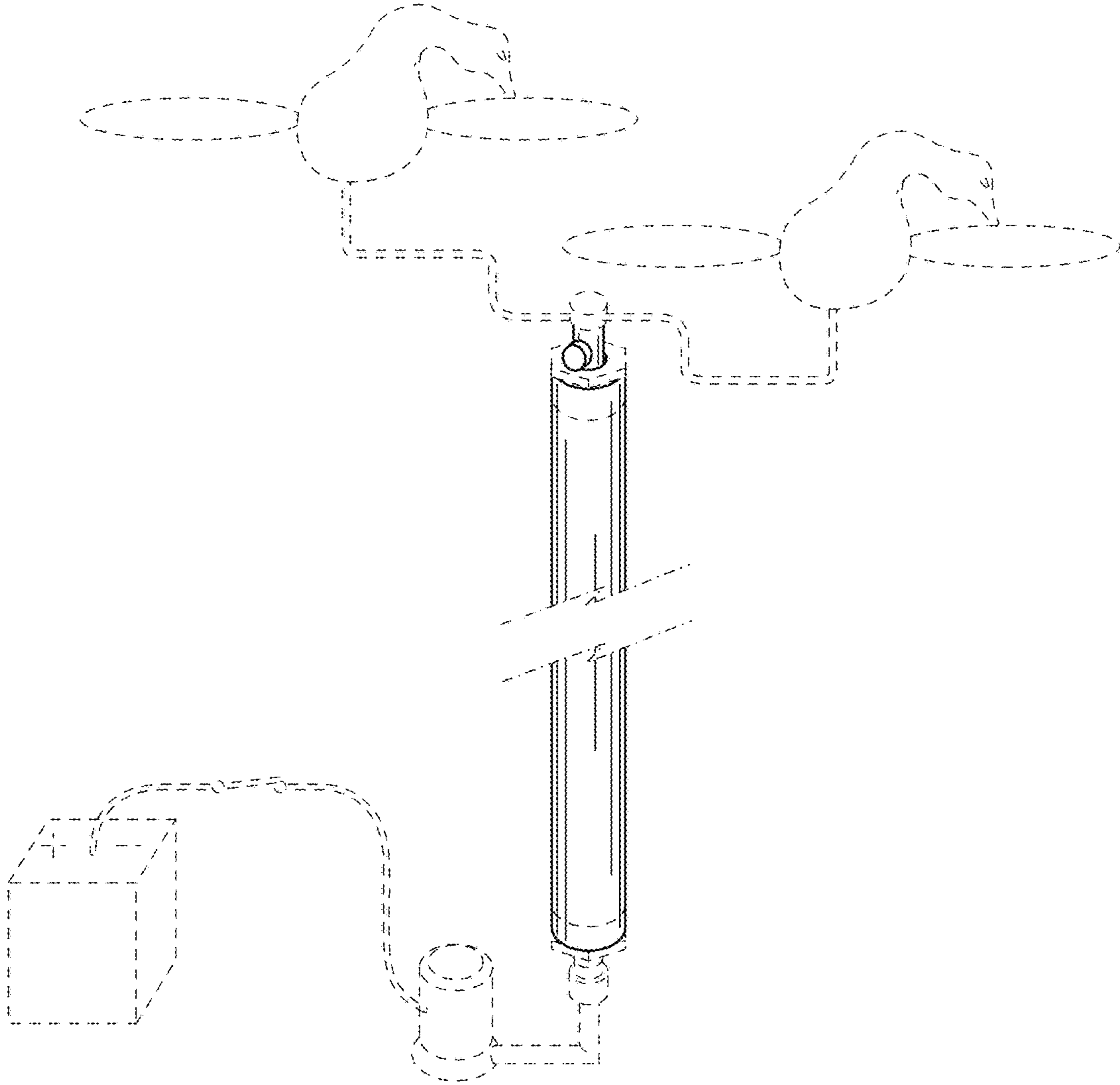


FIG. 10

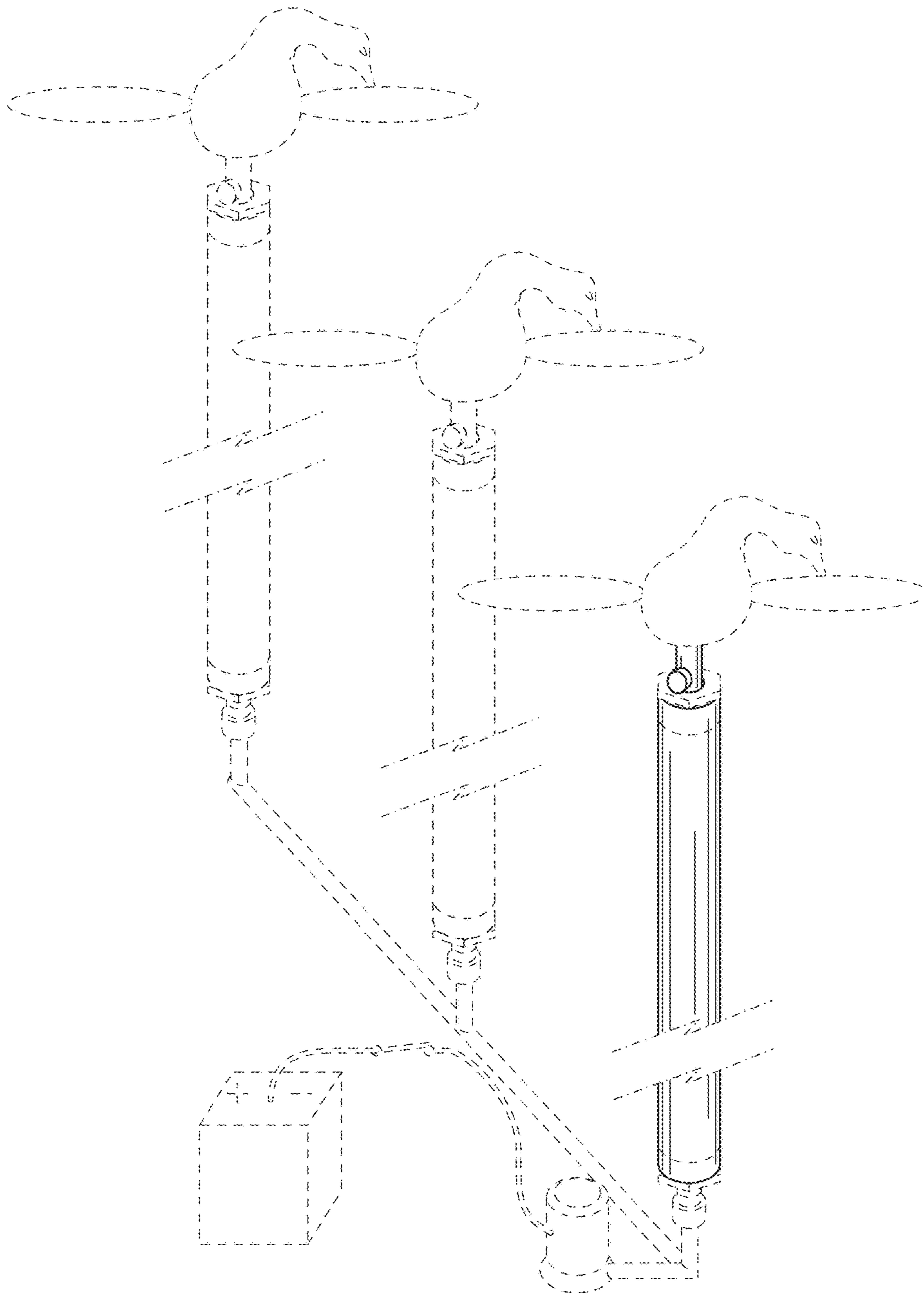


FIG. 11