



US00D833569S

(12) **United States Design Patent** (10) **Patent No.:** **US D833,569 S**
Cornman, Sr. (45) **Date of Patent:** **** Nov. 13, 2018**

(54) **DEVICE FOR REMOTE INSECT CAPTURE AND DISPOSAL**

(71) Applicant: **Troy A. Cornman, Sr.**, Leechburg, PA (US)

(72) Inventor: **Troy A. Cornman, Sr.**, Leechburg, PA (US)

(**) Term: **15 Years**

(21) Appl. No.: **29/625,395**

(22) Filed: **Nov. 9, 2017**

Related U.S. Application Data

(63) Continuation of application No. 14/148,638, filed on Jan. 6, 2014.

(51) **LOC (11) Cl.** **22-06**

(52) **U.S. Cl.**
USPC **D22/122**

(58) **Field of Classification Search**
USPC D22/119-124; 43/58, 60-61, 107, 43/112-113, 121, 124, 131, 132.1
CPC A01M 1/02; A01M 1/14; A01M 1/103; A01M 1/2005
See application file for complete search history.

(56) **References Cited**

U.S. PATENT DOCUMENTS

501,686 A * 7/1893 Moskowitz 43/117
D30,528 S * 4/1899 Hightower D22/122

635,813 A * 10/1899 Schulmeister 43/117
1,050,376 A * 1/1913 Moss A01M 1/14
43/117
D178,161 S * 6/1956 Schulmeister D22/122
D269,897 S * 7/1983 Duff D22/122
4,947,578 A * 8/1990 Anderson A01M 1/02
43/131
D343,223 S * 1/1994 Warner D22/122
D349,554 S * 8/1994 Yates D22/119
D400,635 S * 11/1998 Kinzler D22/122

* cited by examiner

Primary Examiner — Catherine R Oliver-Garcia

(74) *Attorney, Agent, or Firm* — Gary P. Topolosky

(57) **CLAIM**

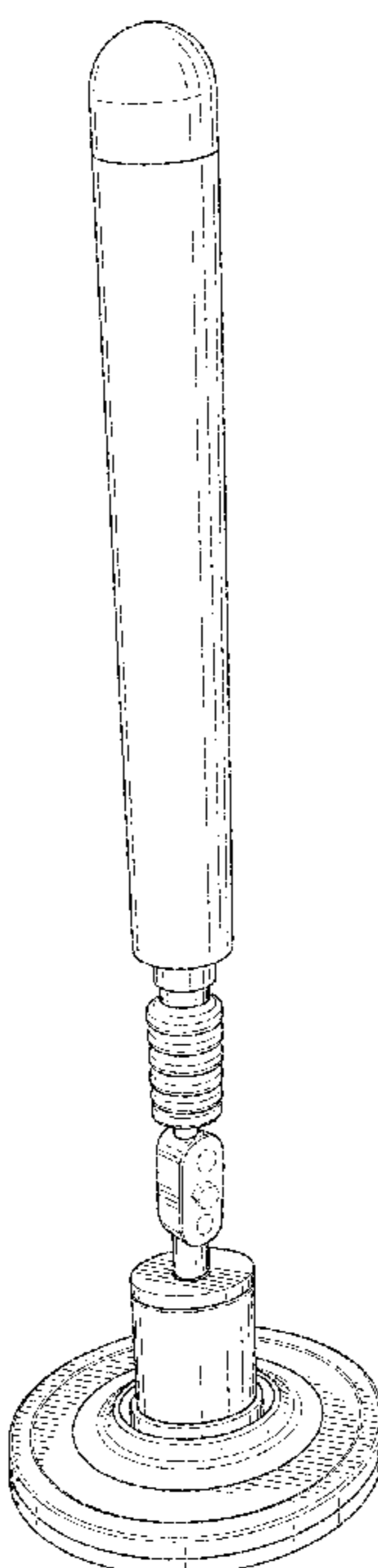
The ornamental design for a device for remote insect capture and disposal, as shown and described.

DESCRIPTION

FIG. 1 is an upper right perspective view of the device for remote insect capture and disposal showing the new design, with one disposable disk magnetically attached to its bottom;
FIG. 2 is a right side elevation view thereof;
FIG. 3 is a left side elevation view thereof;
FIG. 4 is a front elevation view thereof;
FIG. 5 is a rear elevation view thereof;
FIG. 6 is a top plan view thereof; and,
FIG. 7 is a bottom plan view thereof.

The broken lines depict environmental structure and are included for the purpose of illustrating only and form no part of the claimed design.

1 Claim, 4 Drawing Sheets



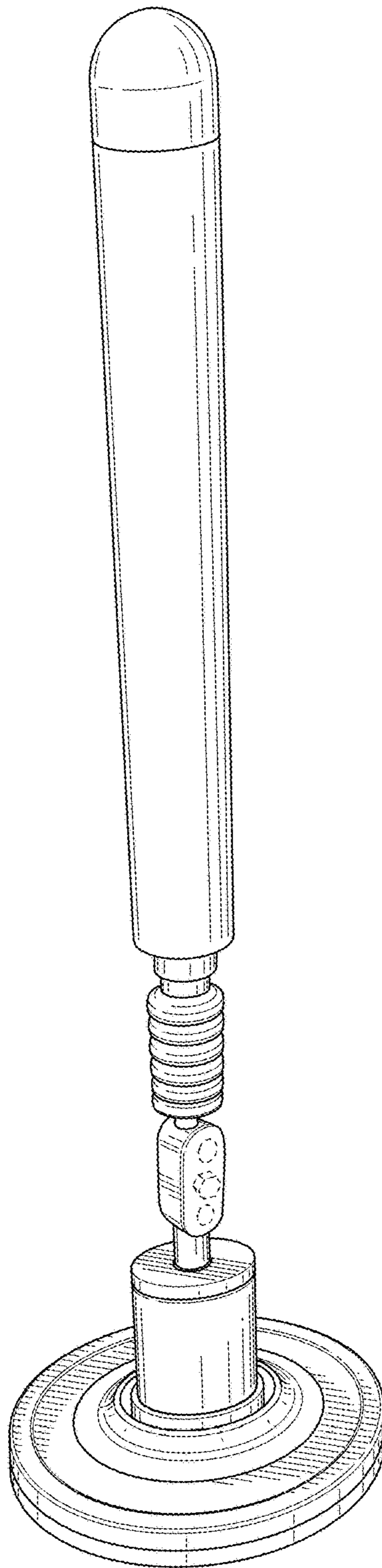


FIG. 1

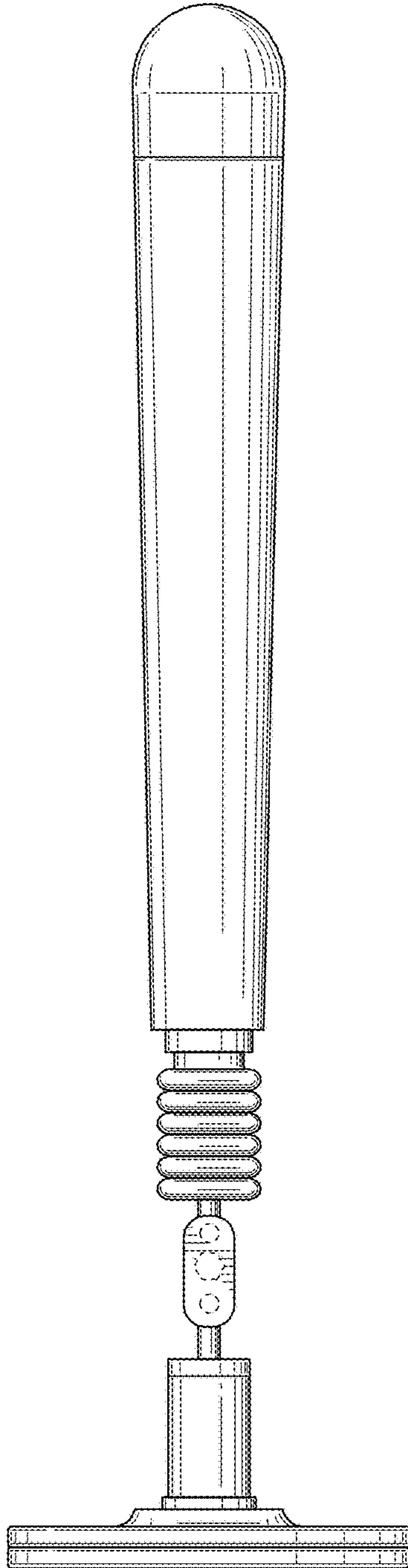


FIG. 2

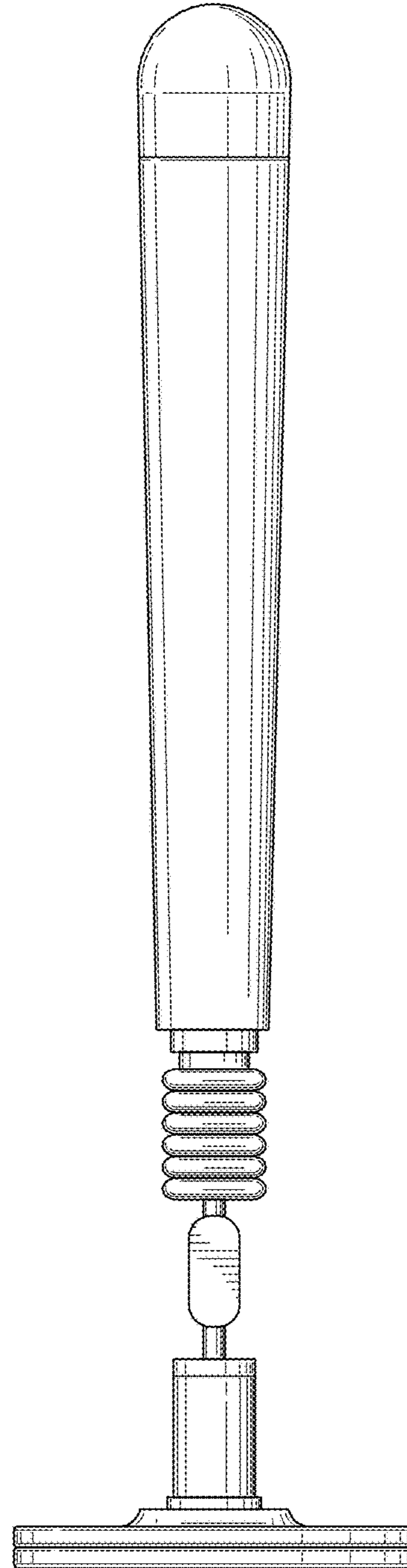


FIG. 3

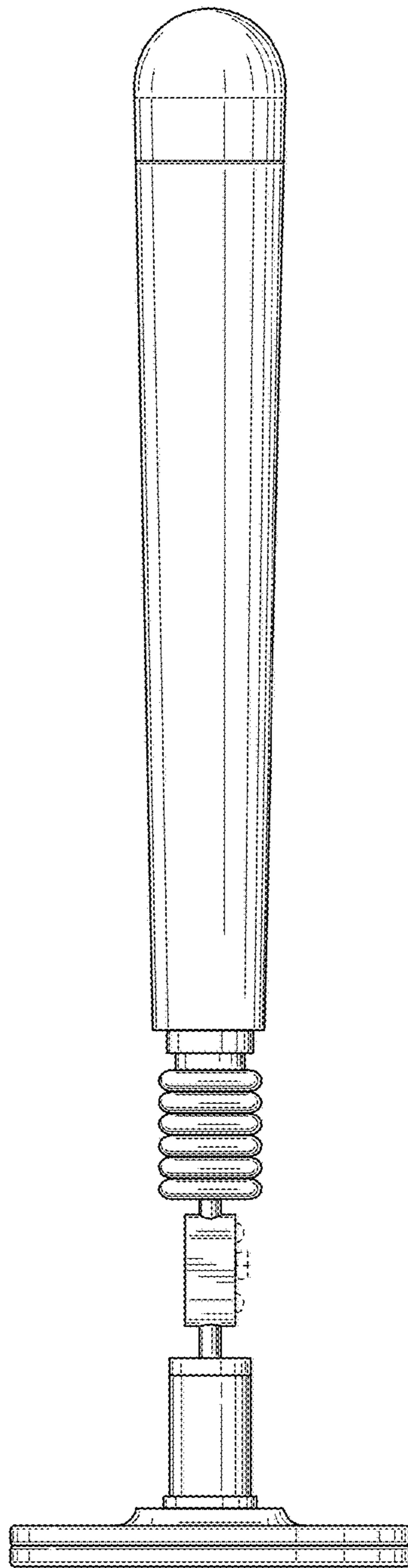


FIG. 4

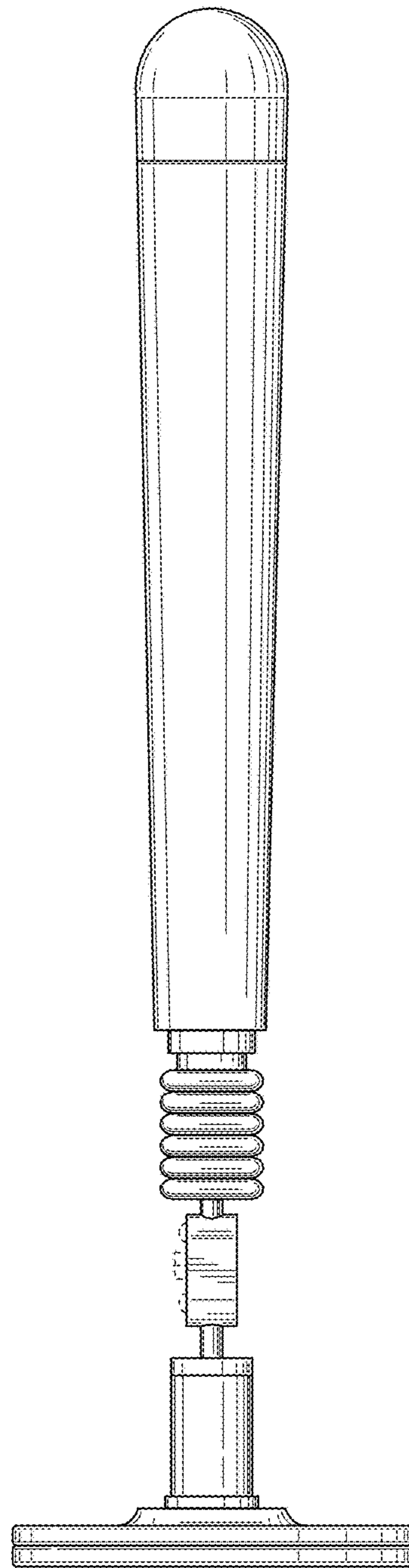


FIG. 5

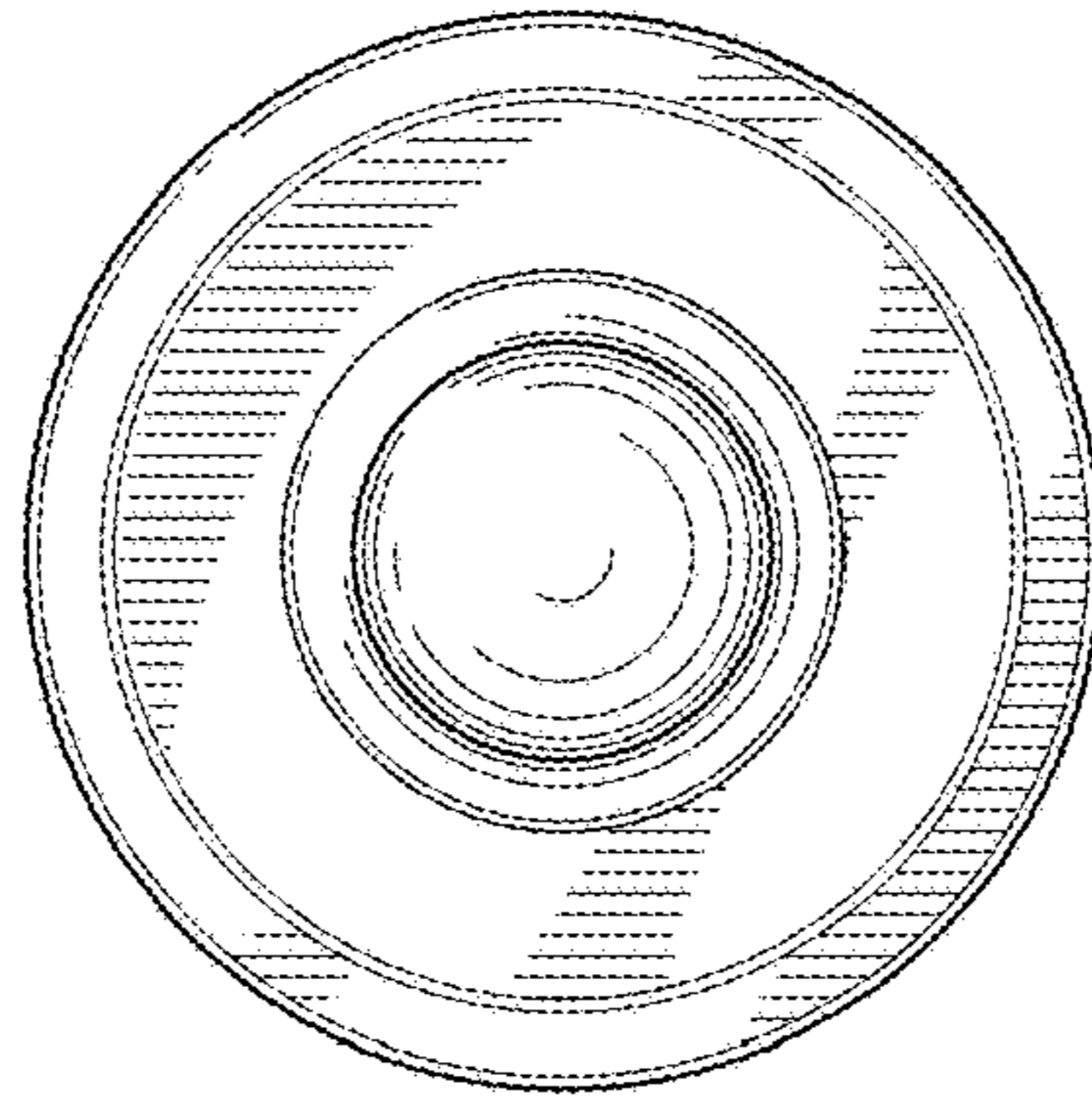


FIG. 6

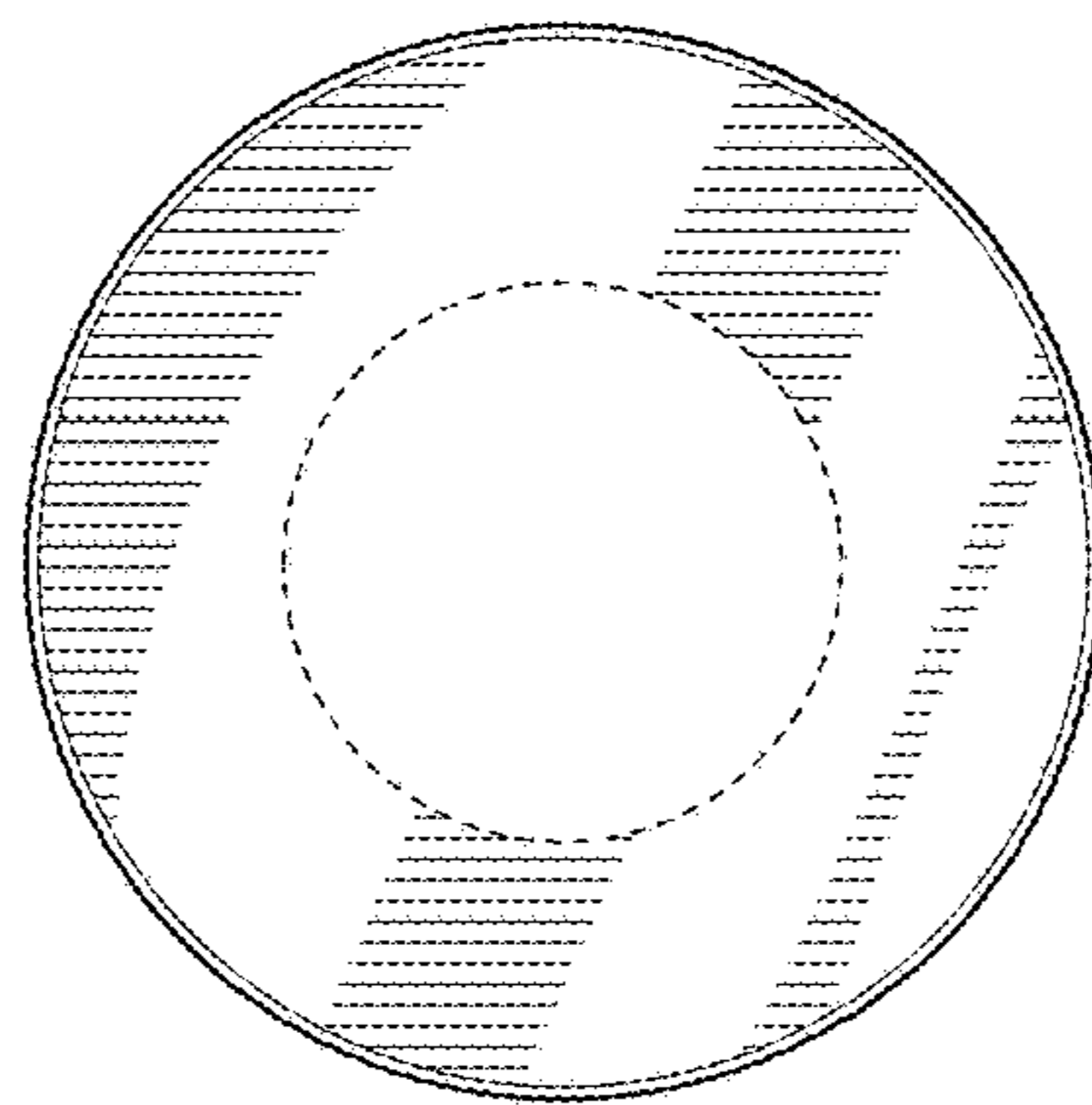


FIG. 7