



US00D833568S

(12) **United States Design Patent** (10) **Patent No.:** **US D833,568 S**
Long (45) **Date of Patent:** **** Nov. 13, 2018**

(54) **ELECTRONIC MOSQUITO AND INSECT REPELLER**
(71) Applicant: **Hui Jian Long**, Wugang (CN)
(72) Inventor: **Hui Jian Long**, Wugang (CN)
(**) Term: **15 Years**
(21) Appl. No.: **29/612,973**
(22) Filed: **Aug. 6, 2017**
(51) **LOC (11) Cl.** **22-06**
(52) **U.S. Cl.**
USPC **D22/122**
(58) **Field of Classification Search**
USPC D22/119-124; D23/366-367; D28/12;
43/112-114, 124, 131-132.14, 139
CPC A01M 1/22; A01M 13/00; A01M 1/2077;
A01M 29/16; A01M 2200/012; A01M
23/38; A01M 1/223
See application file for complete search history.

(56) **References Cited**

U.S. PATENT DOCUMENTS

D232,327 S * 8/1974 Waters et al. D28/12
6,134,826 A * 10/2000 Mah A01M 1/04
43/112
6,293,044 B1 * 9/2001 Feng A01M 1/2077
43/132.1
D467,987 S * 12/2002 Lin D22/122

6,926,902 B2 * 8/2005 Inoue A01M 1/2033
43/132.1
D546,433 S * 7/2007 Wu D23/366
D575,384 S * 8/2008 Huang D23/366
D581,479 S * 11/2008 Caserta D22/123
D597,166 S * 7/2009 Hong D22/122
D623,259 S * 9/2010 Tsai D22/122
D654,141 S * 2/2012 Wilbanks D22/123
D742,994 S * 11/2015 Mackay D22/122
D768,836 S * 10/2016 Van Der Starre D23/367
D816,823 S * 5/2018 Gobber D23/366

* cited by examiner

Primary Examiner — Catherine R Oliver-Garcia
(74) *Attorney, Agent, or Firm* — Wayne & Ken, LLC;
Tony Hom

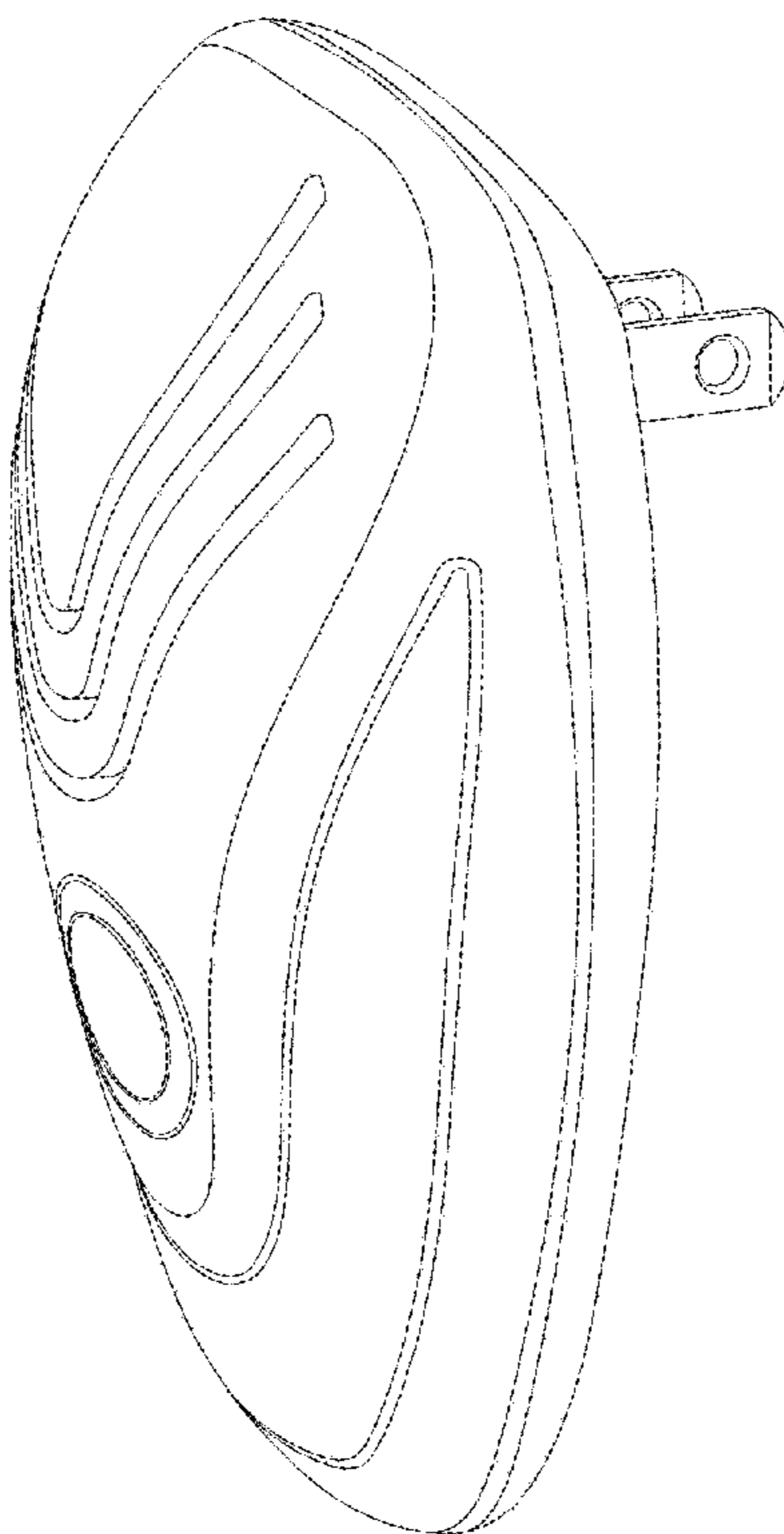
(57) **CLAIM**

The ornamental design for a electronic mosquito and insect repeller, as shown and described.

DESCRIPTION

FIG. 1 is a front elevation view of a electronic mosquito and insect repeller showing my new design;
FIG. 2 is a rear elevation view thereof;
FIG. 3 is a left side elevation view thereof;
FIG. 4 is a right side elevation view thereof;
FIG. 5 is a top plan view thereof;
FIG. 6 is a bottom plan view thereof; and,
FIG. 7 is a front, right perspective view thereof.

1 Claim, 7 Drawing Sheets



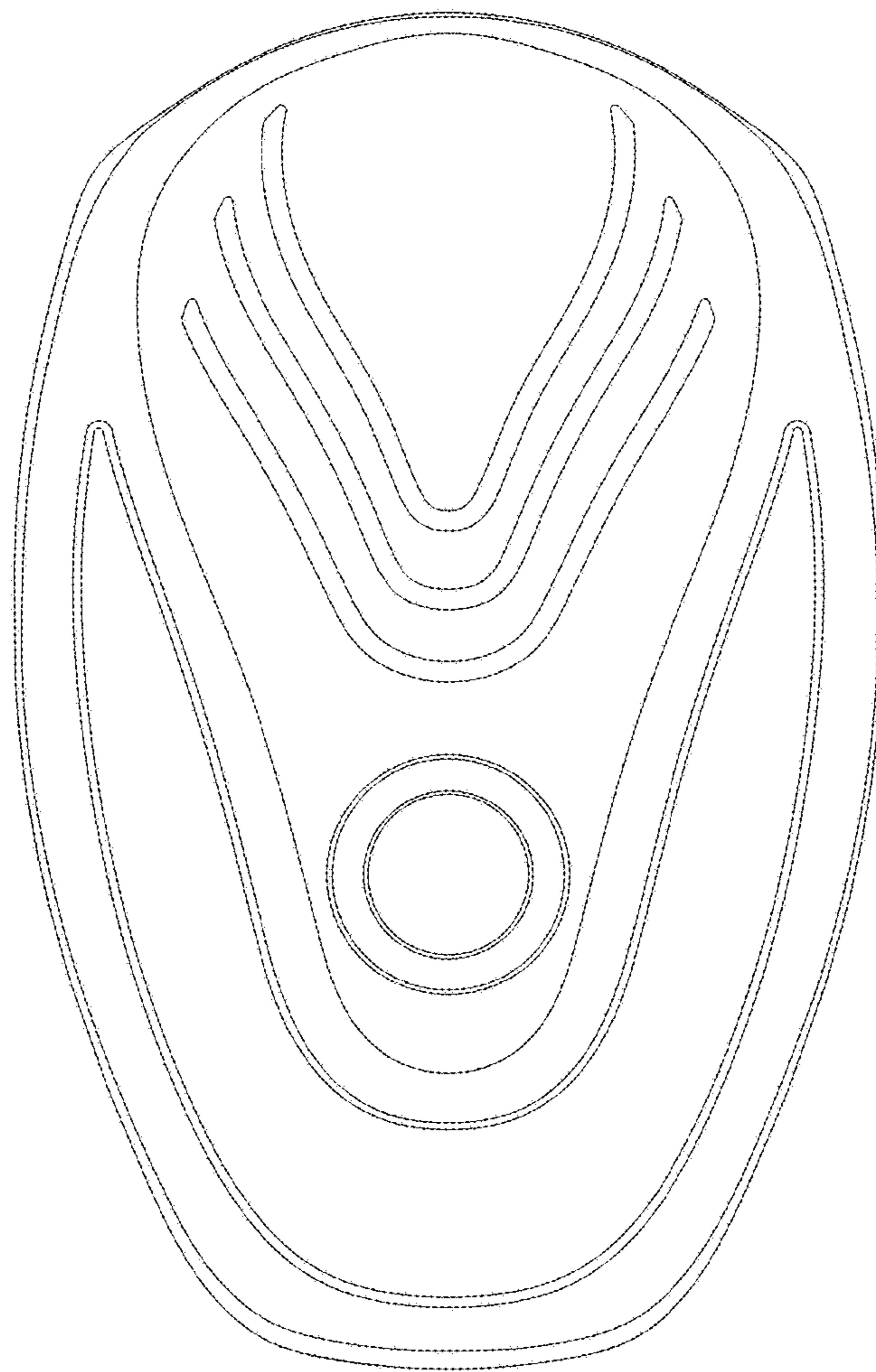


FIG. 1

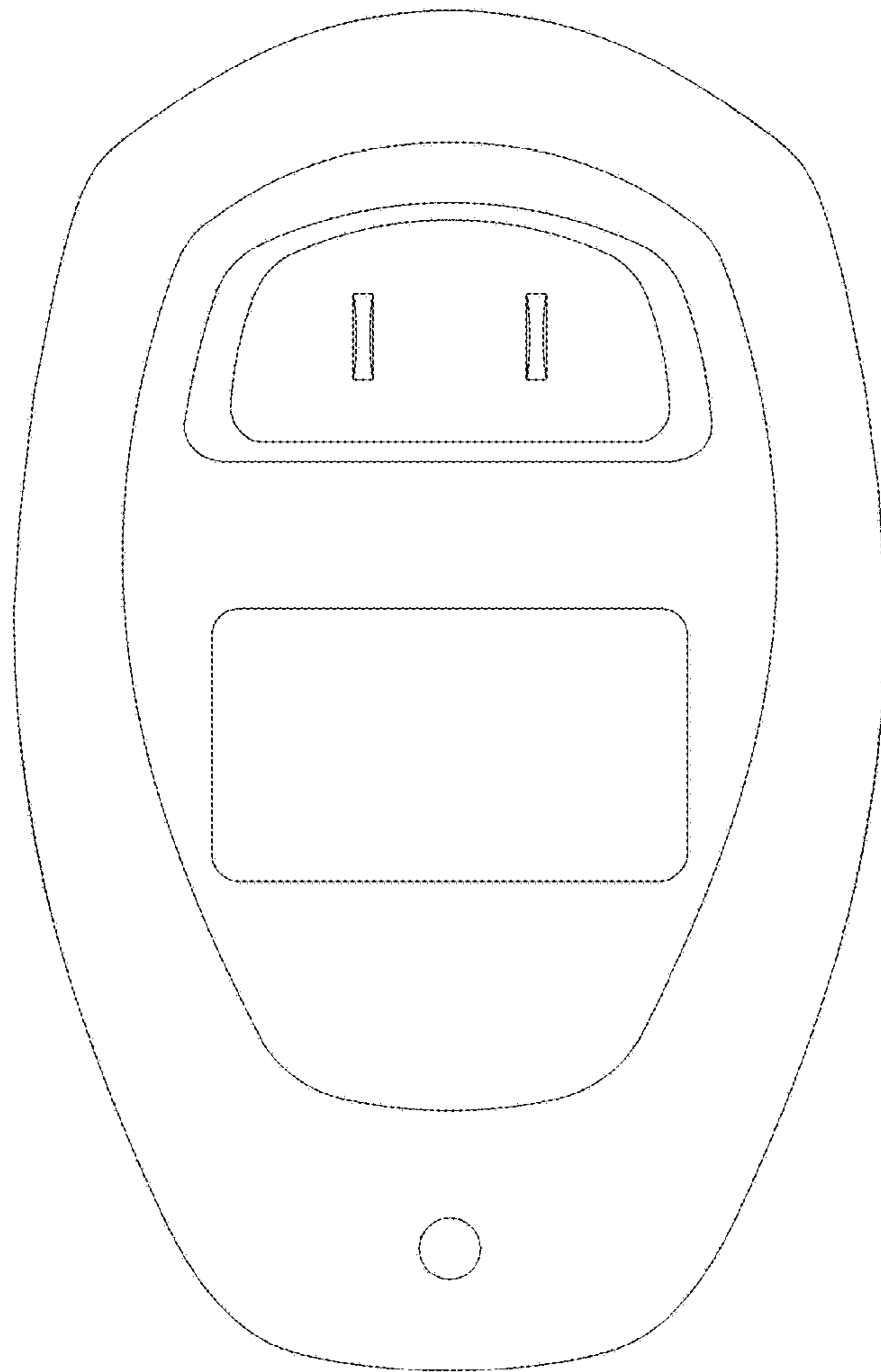


FIG. 2

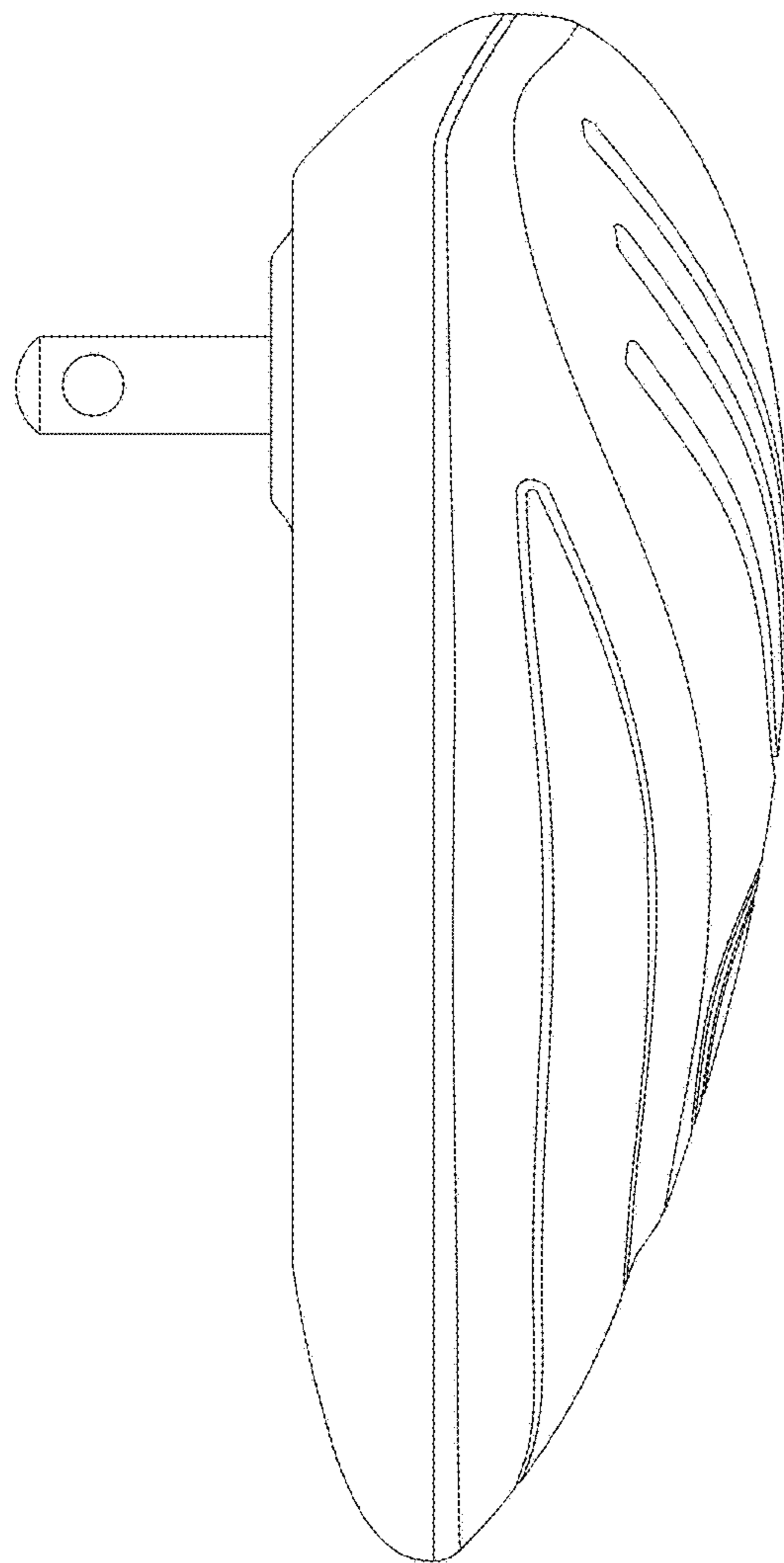


FIG. 3

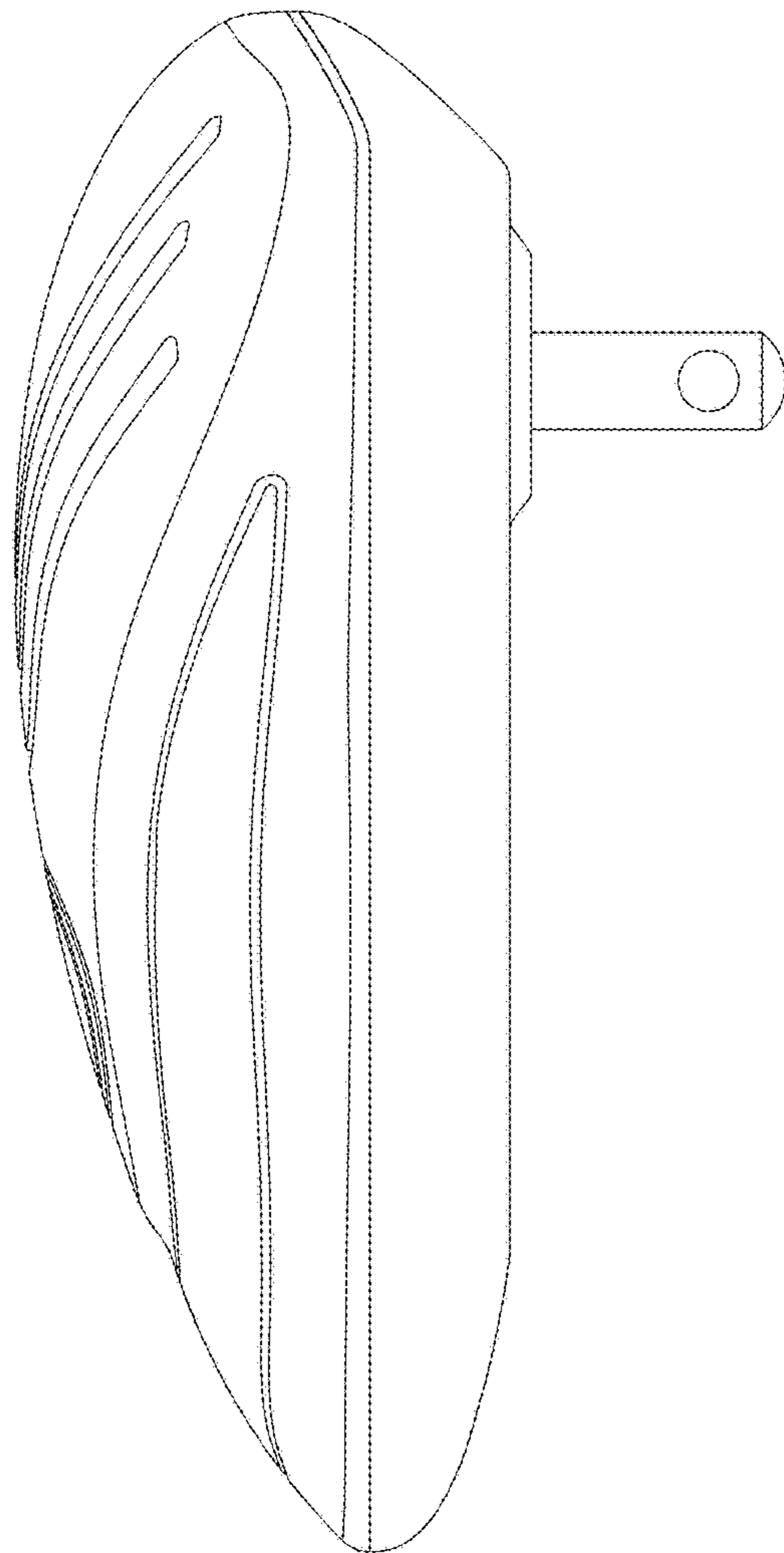


FIG. 4

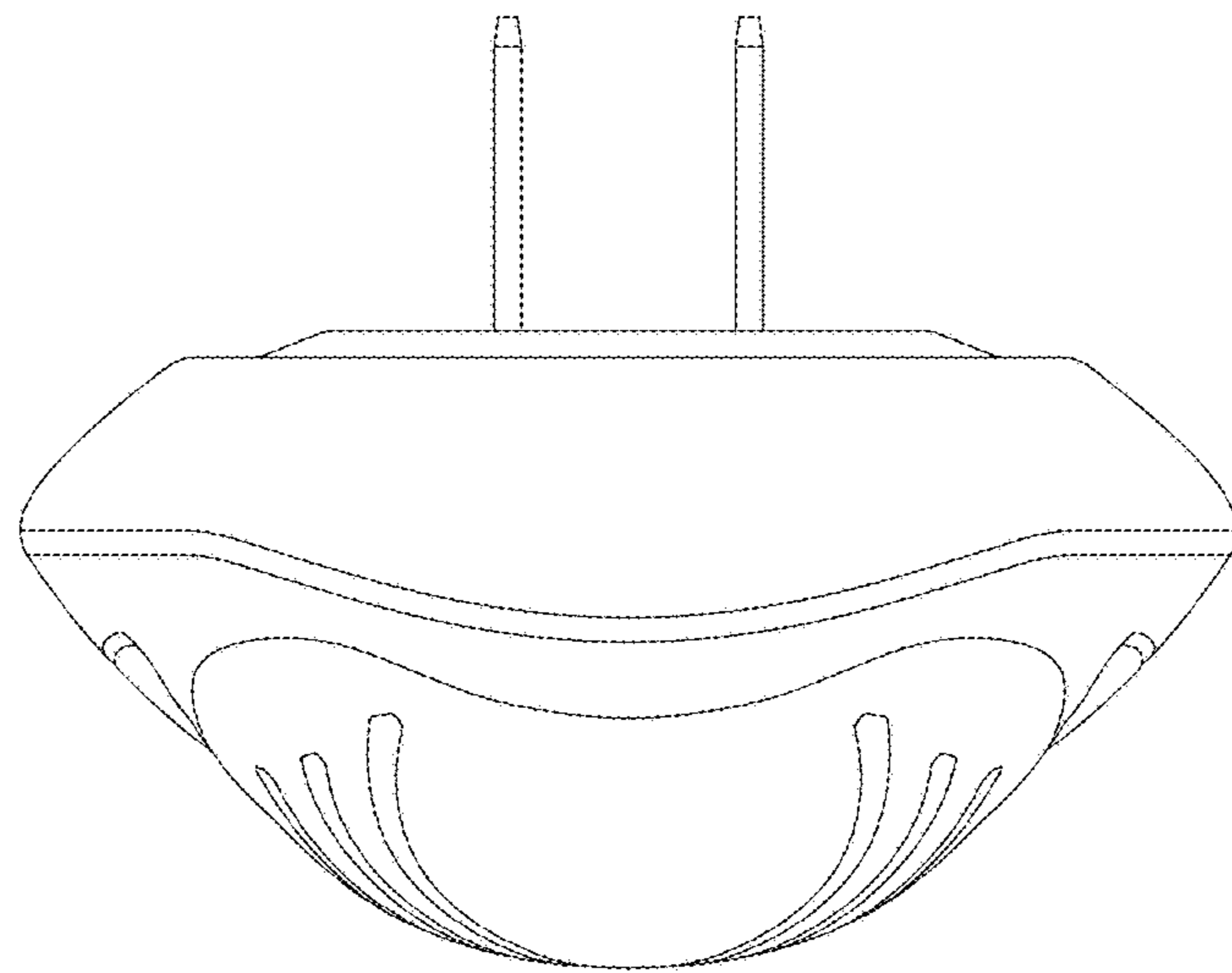


FIG. 5

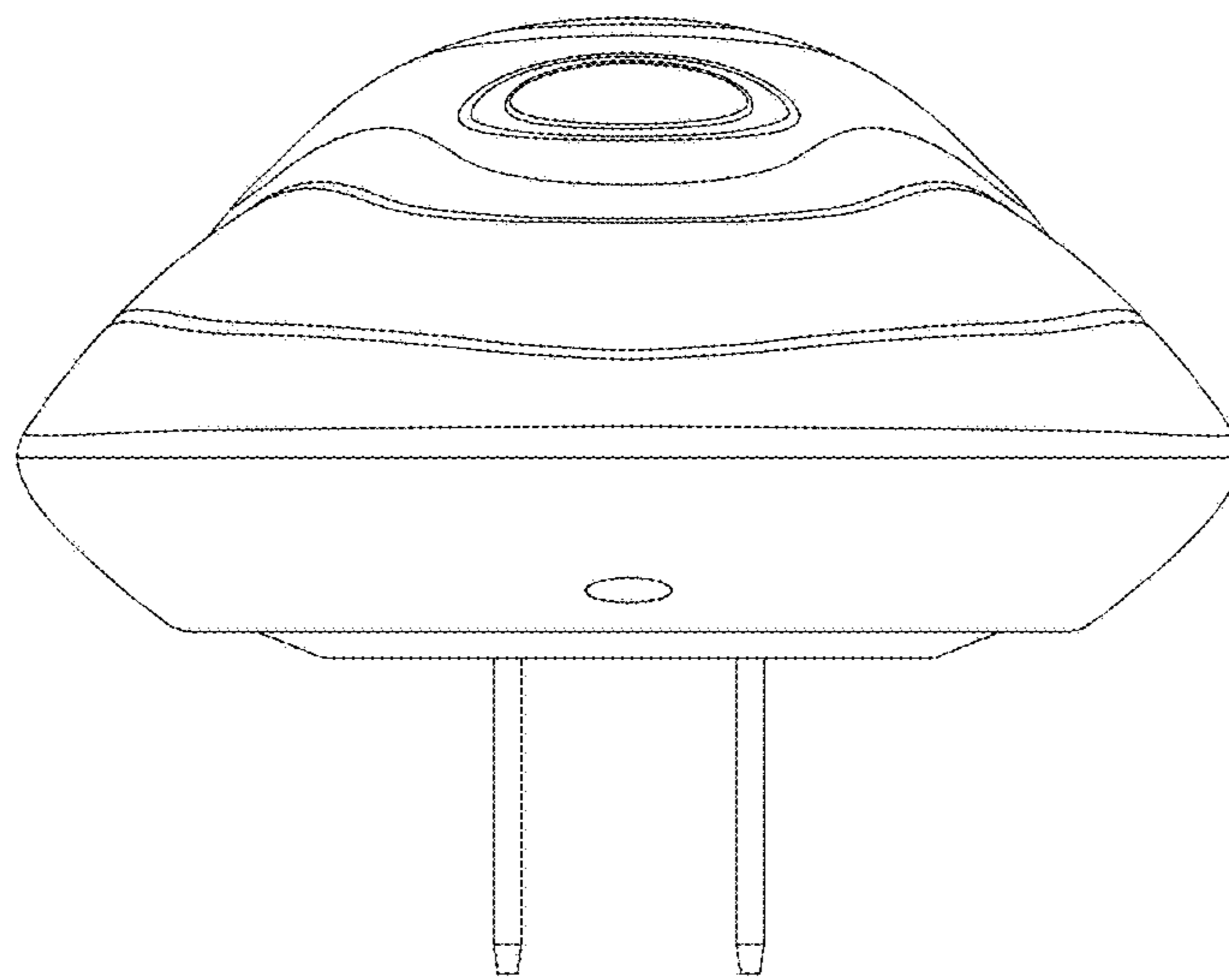


FIG. 6

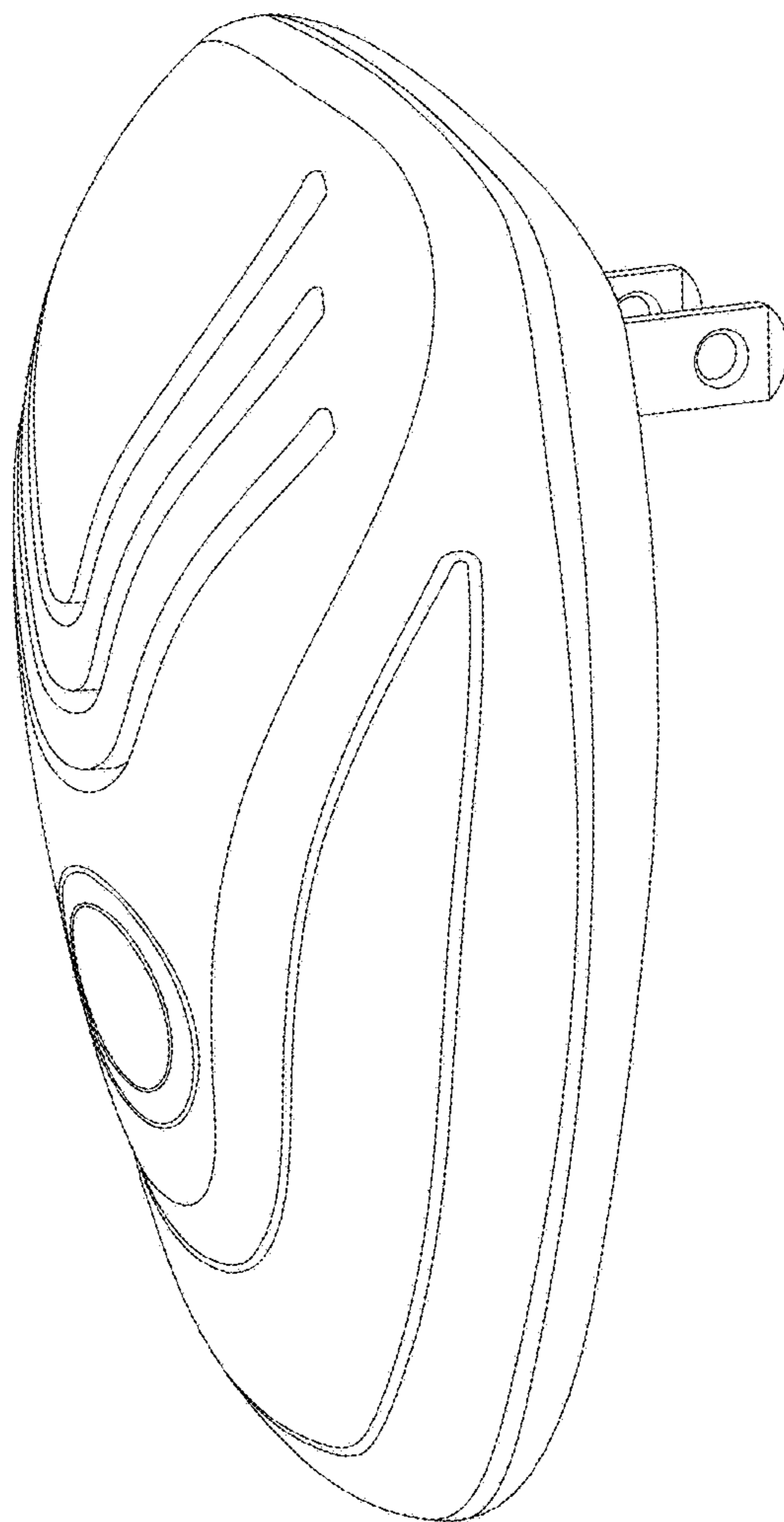


FIG. 7