



US00D833565S

(12) **United States Design Patent**  
**Roberts et al.**

(10) **Patent No.:** **US D833,565 S**

(45) **Date of Patent:** **\*\* Nov. 13, 2018**

(54) **SUPPRESSOR COVER**

(71) Applicant: **Magpul Industries Corp.**, Austin, TX (US)

(72) Inventors: **Timothy Eric Roberts**, Broomfield, CO (US); **Turner Sessions**, Lafayette, CO (US); **William Bradley Bennett**, Lafayette, CO (US)

(73) Assignee: **Magpul Industries Corp.**, Austin, TX (US)

(\*\*) Term: **15 Years**

(21) Appl. No.: **29/631,034**

(22) Filed: **Dec. 27, 2017**

(51) **LOC (11) Cl.** ..... **22-01**

(52) **U.S. Cl.**  
USPC ..... **D22/108**

(58) **Field of Classification Search**  
USPC ..... D15/138, 141; D22/2, 100, 101, 103, D22/104, 108, 199, 572  
CPC ..... F41A 13/00; F41A 21/30; F41A 21/44; F41A 21/325; F41A 35/04  
See application file for complete search history.

(56) **References Cited**

**U.S. PATENT DOCUMENTS**

4,346,643	A *	8/1982	Taylor	.....	F41A 21/44
					89/14.1
D279,812	S *	7/1985	Cellini	.....	89/14.3
4,762,048	A *	8/1988	Higashi	.....	F41A 13/12
					165/47
D435,623	S *	12/2000	Andrews, Jr.	.....	D22/100
D475,798	S *	6/2003	Galli	.....	D26/37
D501,054	S *	1/2005	Galli	.....	D26/37
7,325,474	B2	2/2008	Yoshimura et al.		

(Continued)

**FOREIGN PATENT DOCUMENTS**

RU 2541583 C2 2/2015  
WO 2014127831 A1 8/2014

**OTHER PUBLICATIONS**

Armageddon Gear, "Suppressor Cover", Retrieved from <http://www.armageddongear.com/Suppressor-Cover>, Known to exist as early as Oct. 29, 2015, p. 2.

(Continued)

*Primary Examiner* — Patricia A Palasik

(74) *Attorney, Agent, or Firm* — Neugeboren O'Dowd PC

(57) **CLAIM**

The ornamental design for a suppressor cover, as shown and described.

**DESCRIPTION**

FIG. 1 is a front right top perspective view of the suppressor cover;

FIG. 2 is a back right bottom perspective view of the suppressor cover in FIG. 1;

FIG. 3 is a right side elevation view of the suppressor cover in FIG. 1;

FIG. 4 is a left side elevation view of the suppressor cover in FIG. 1;

FIG. 5 is a front elevation view of the suppressor cover in FIG. 1;

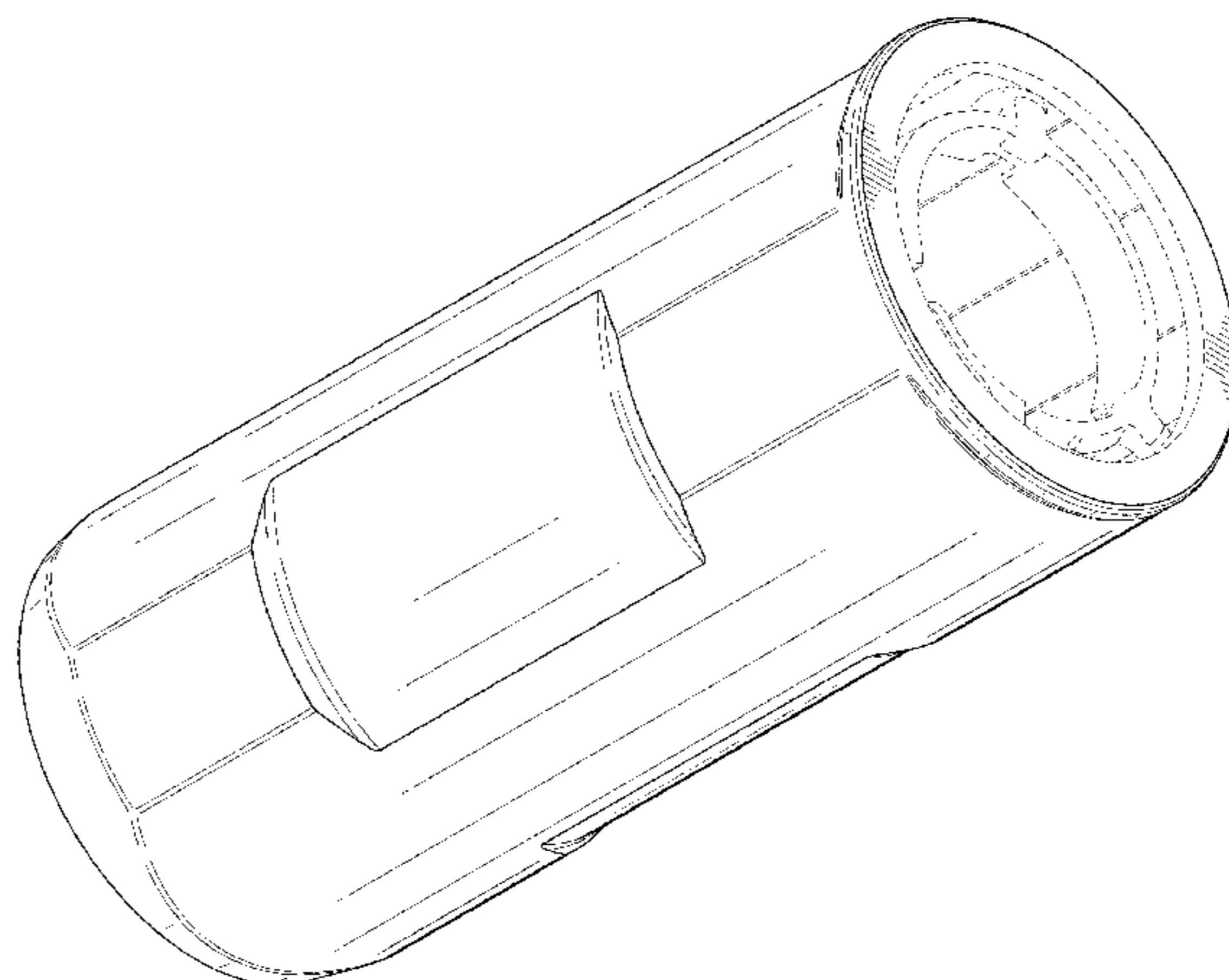
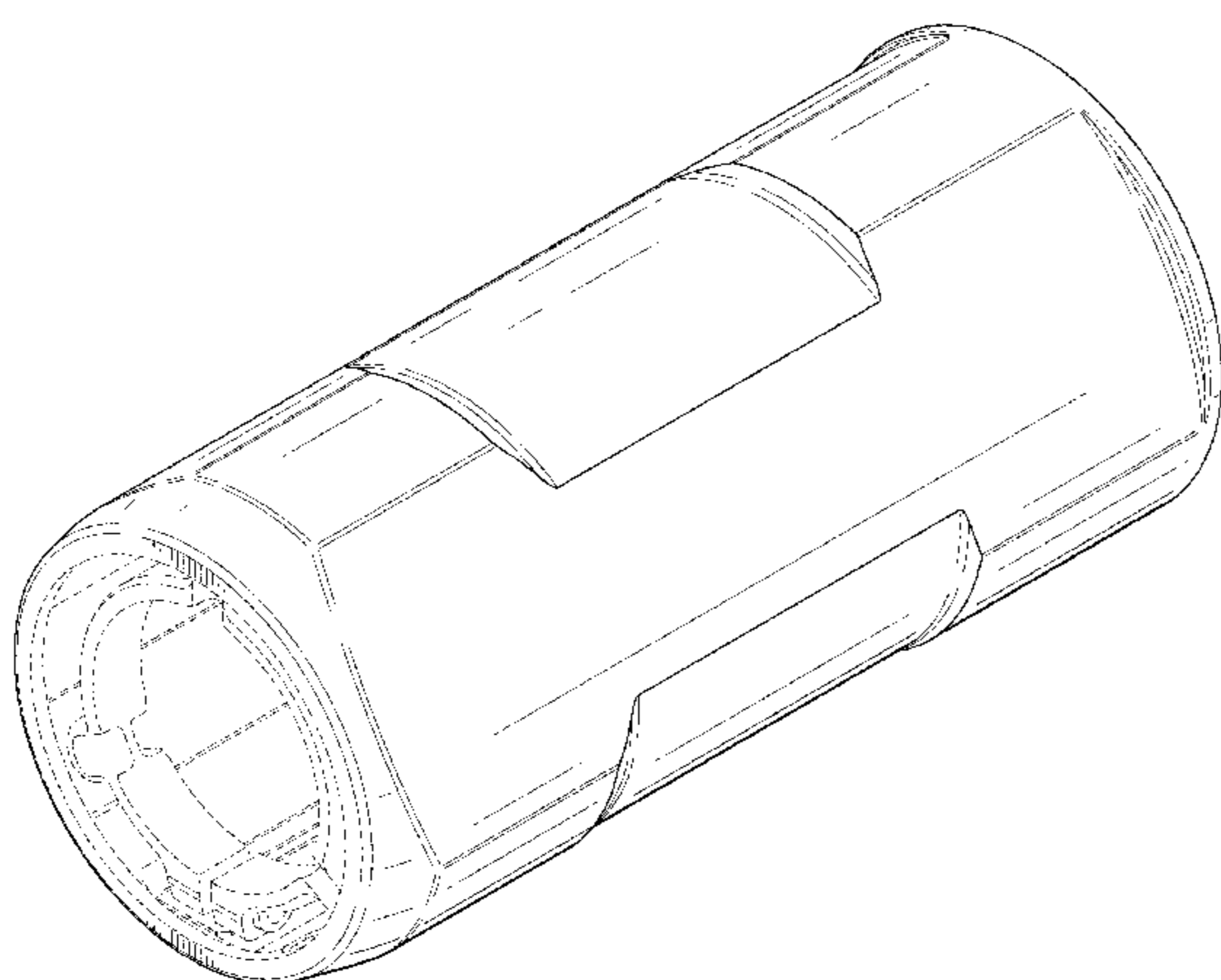
FIG. 6 is a rear elevation view of the suppressor cover in FIG. 1;

FIG. 7 is a top view of the suppressor cover in FIG. 1; and, FIG. 8 is a bottom view of the suppressor cover in FIG. 1.

The shade lines in the Figures show contour and not surface ornamentation.

The broken lines showing portions of the design in all figures are included for the purpose of illustrating environment and do not form a part of the claimed design.

**1 Claim, 7 Drawing Sheets**



(56)

References Cited

U.S. PATENT DOCUMENTS

D577,449 S \* 9/2008 Shiu ..... D26/49  
 D577,844 S \* 9/2008 Shiu ..... D26/49  
 D594,082 S 6/2009 O'Quinn  
 D632,751 S 2/2011 Bowers et al.  
 D639,375 S \* 6/2011 Oliver ..... D22/108  
 D642,648 S \* 8/2011 Oliver ..... D22/108  
 D642,649 S \* 8/2011 Oliver ..... D22/108  
 8,196,701 B1 6/2012 Oliver  
 8,347,773 B2 \* 1/2013 Schlenkert ..... F41A 21/44  
 89/14.1  
 8,397,615 B2 3/2013 Poling  
 D682,384 S \* 5/2013 Jaureguizar ..... D22/108  
 D682,974 S \* 5/2013 Honigmann ..... D22/108  
 D687,119 S \* 7/2013 Dueck ..... D22/108  
 8,973,481 B2 \* 3/2015 Dueck ..... F41A 21/325  
 181/223  
 D728,058 S 4/2015 Cheney  
 9,140,511 B2 9/2015 Michal et al.  
 D741,443 S 10/2015 Cheney  
 9,239,201 B1 \* 1/2016 Reis Green ..... F41A 21/30  
 D767,076 S \* 9/2016 Bebee ..... D22/108  
 D767,706 S \* 9/2016 Shults ..... D22/108  
 D776,226 S \* 1/2017 Green ..... D22/108  
 D781,392 S \* 3/2017 Zayatz ..... D22/108  
 D787,622 S \* 5/2017 Geissele ..... B25B 13/48  
 D22/108  
 D788,873 S \* 6/2017 Wiley ..... D22/108  
 D792,549 S \* 7/2017 McKillips ..... D22/108  
 D806,819 S \* 1/2018 Thompson ..... D22/108  
 D807,461 S \* 1/2018 Cheng ..... D22/108  
 D813,971 S \* 3/2018 Aragao ..... D22/108  
 2012/0125184 A1 \* 5/2012 Meyers ..... F41A 21/34  
 89/14.2

2012/0152093 A1 6/2012 Koumbis  
 2012/0167435 A1 7/2012 Poling  
 2014/0059913 A1 3/2014 Diamond et al.  
 2015/0082679 A1 3/2015 Michal et al.

OTHER PUBLICATIONS

Crane, David, "HK MP7A1 PDW/Gemtech Brick Silencer/Sound Suppressor Combo at NDIA", Retrieved from <http://www.defensereview.com/hk-mp7a1-pdwgemtech-brick-silencersound-suppressor-combo-at-ndia/>, May 23, 2008, p. 3.  
 Elite Iron, "Black—Suppressor Wrap", Retrieved from <https://www.eliteiron.com/product/elite-iron-suppressor-wrap-black/>, Known to exist as early as Oct. 29, 2015, p. 3.  
 Griffon Industries, "Heat & Mirage Mitigation System", Retrieved from [http://www.griffonindustries.com/product\\_p/gi-suppressor-hmms-01.htm](http://www.griffonindustries.com/product_p/gi-suppressor-hmms-01.htm), Known to exist as early as Oct. 29, 2015, p. 3.  
 Wikipedia, "MAC-10", Retrieved from <https://en.wikipedia.org/wiki/MAC-10>, Known to exist as early as Oct. 29, 2015, p. 7.  
 Manta Defense, "Suppressor Covers", Retrieved from <https://mantadefense.com/product-category/suppressor-covers/>, Known to exist as early as Oct. 29, 2015, p. 3.  
 Coulston, Steve, "Operator Suppressor Systems", Retrieved from <http://www.gunsandtactics.com/operator-suppressor-systems>, Oct. 2, 2014, p. 13.  
 Adelman, Steve, "Suppressor Sock", Retrieved from <https://www.shootingillustrated.com/articles/2012/6/20/suppressor-sock/>, Jun. 20, 2012, p. 2.  
 T.A.B Gear, LLC, "Tab Sas", Retrieved from <https://tabgear.configio.com/ShoppingCart.aspx?com=detailview&iid=829&source=search&returncom=productlist>, Known to exist as early as Oct. 29, 2015, p. 3.

\* cited by examiner

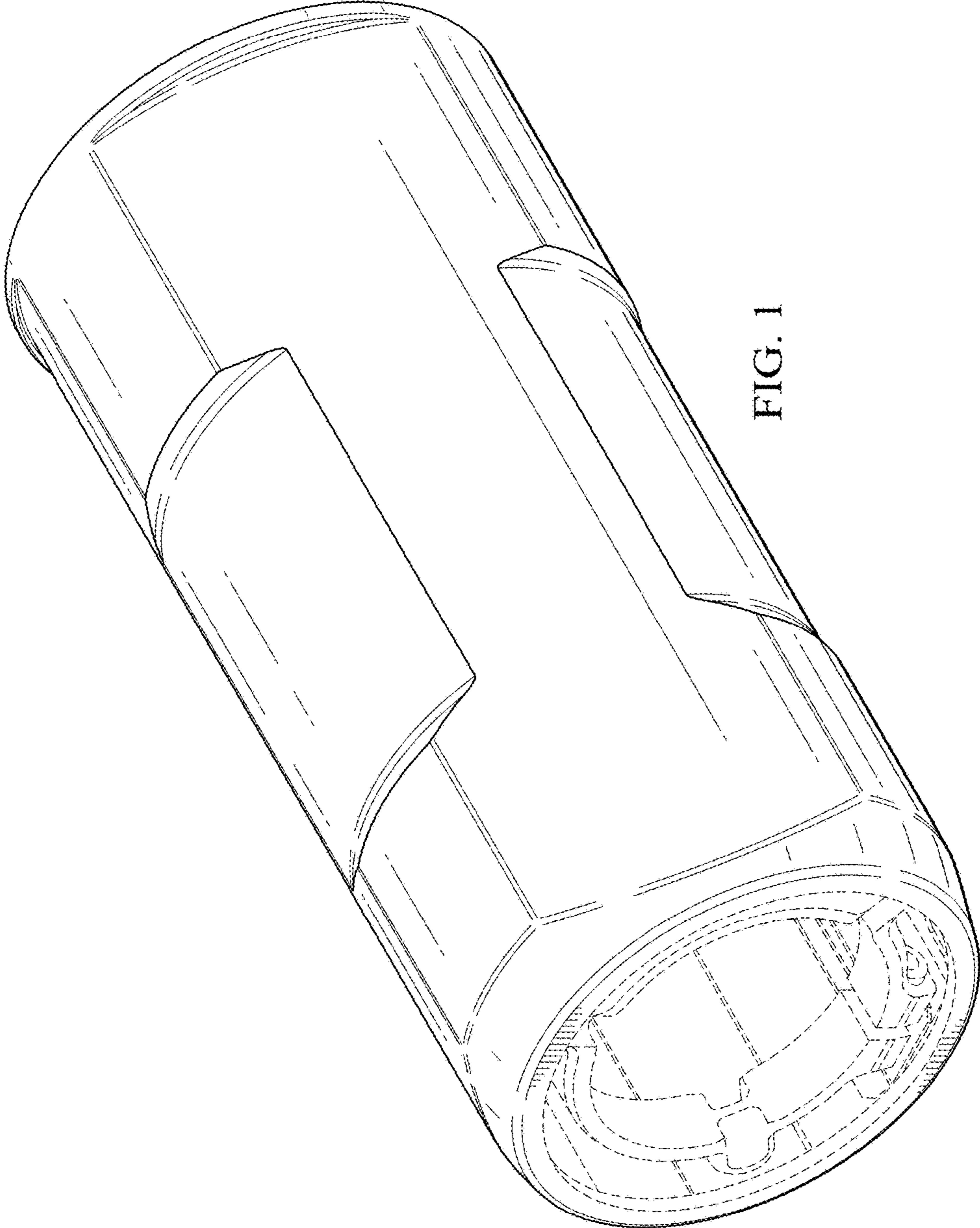


FIG. 1



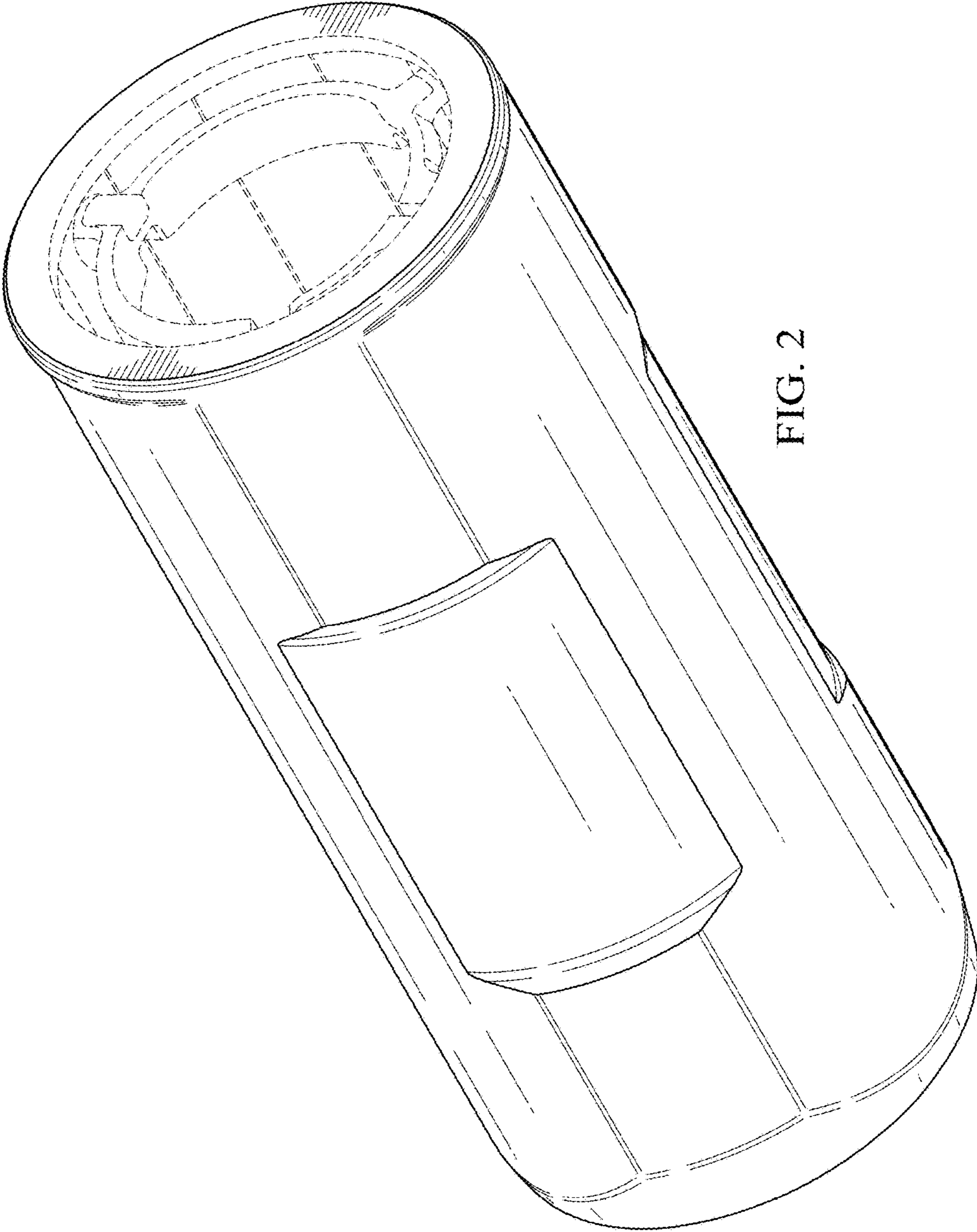


FIG. 2

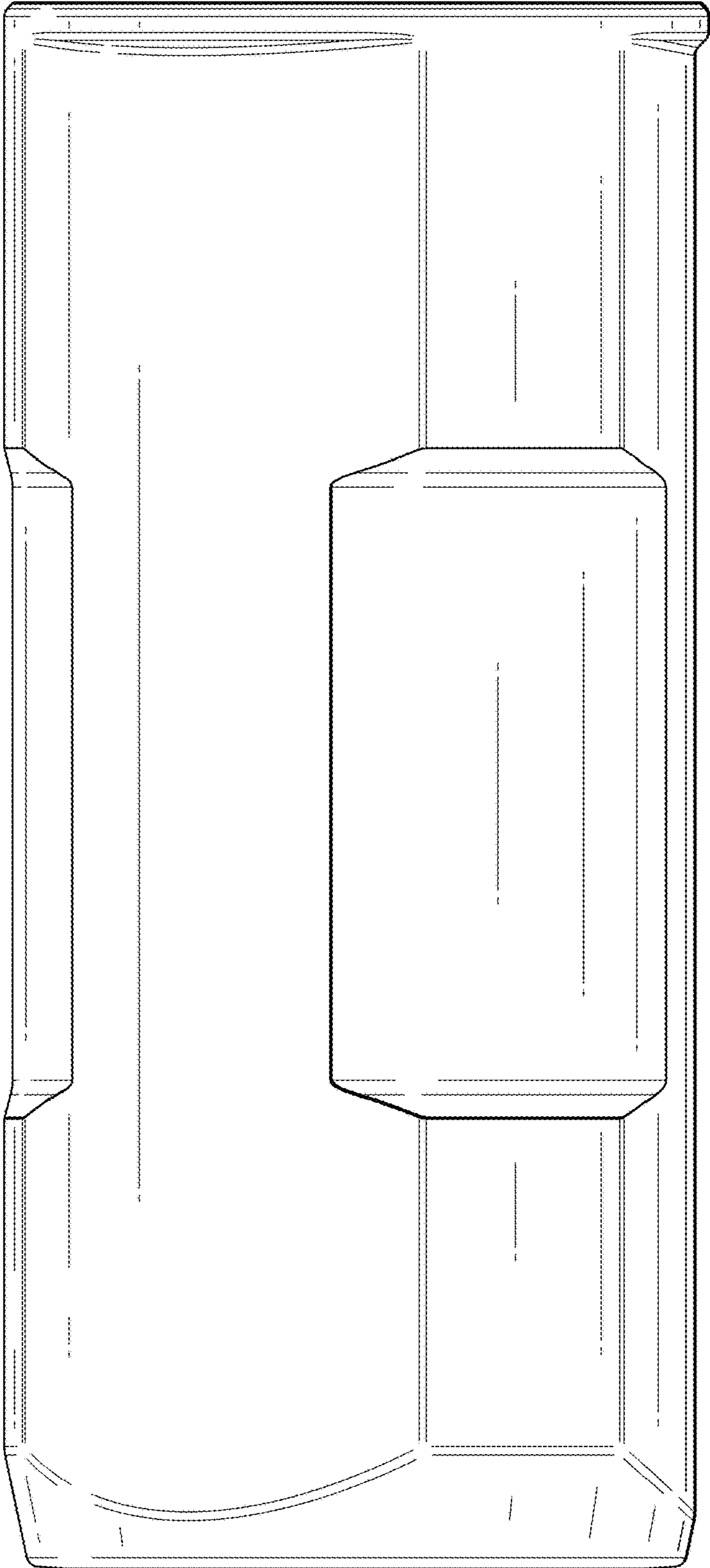


FIG. 3

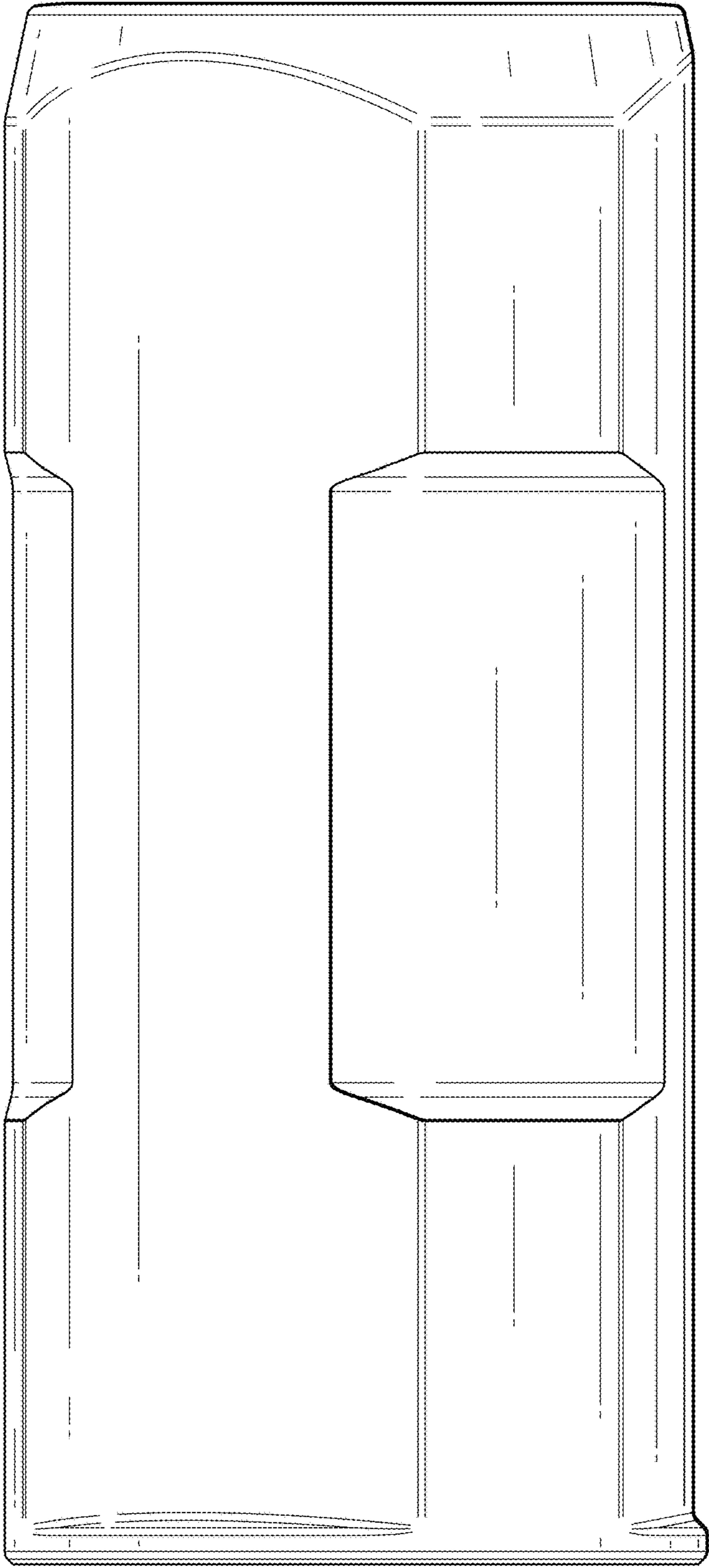


FIG. 4

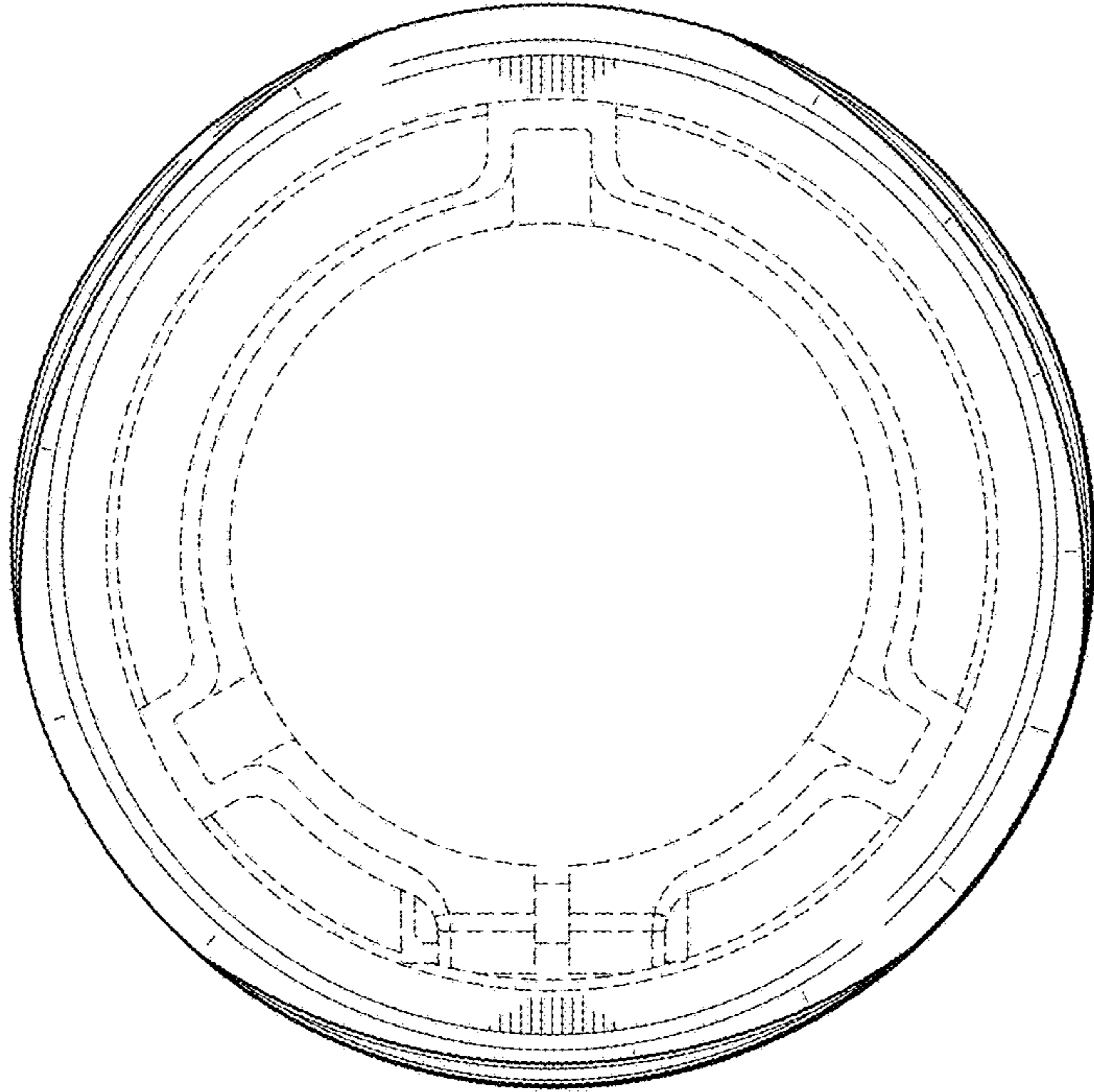


FIG. 5

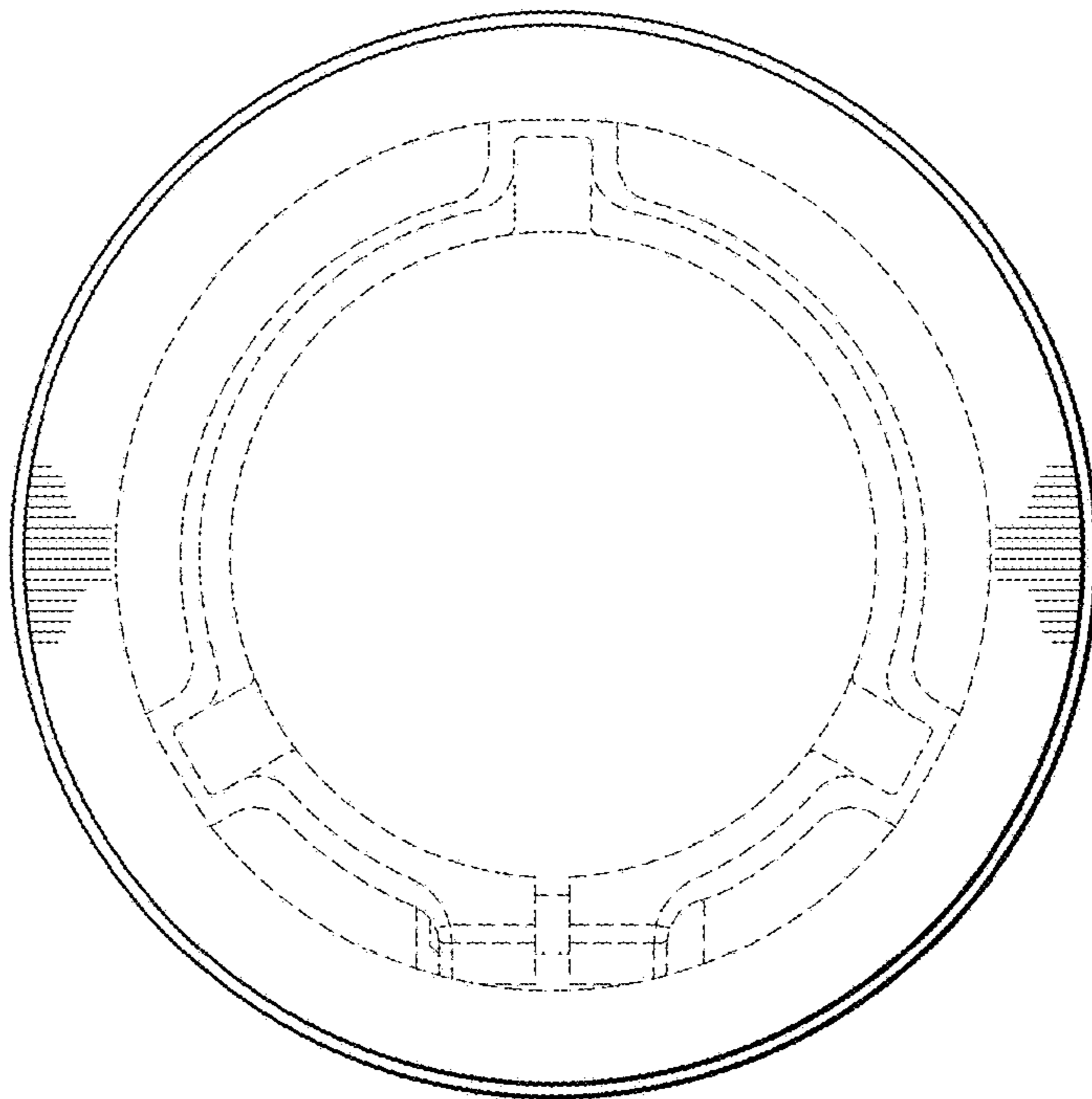


FIG. 6

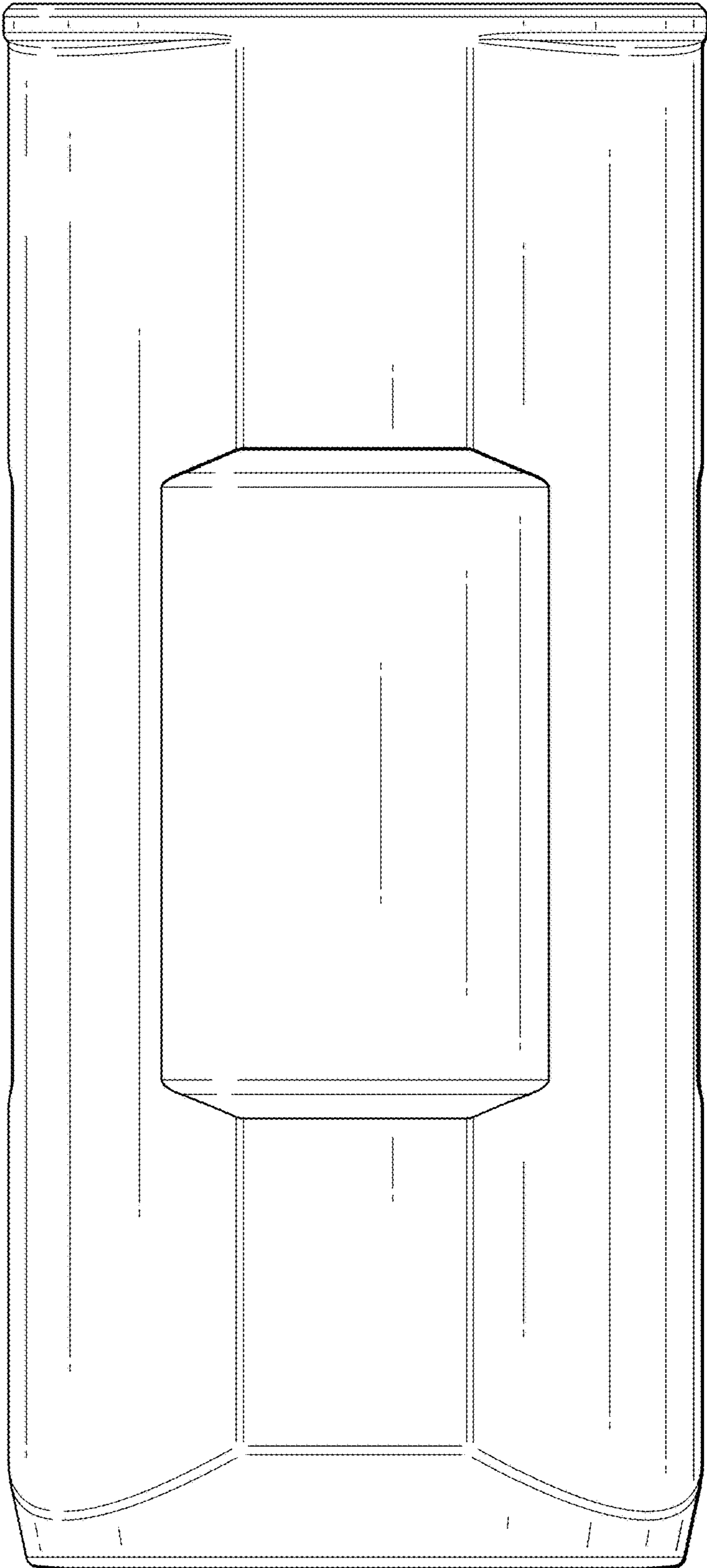


FIG. 7



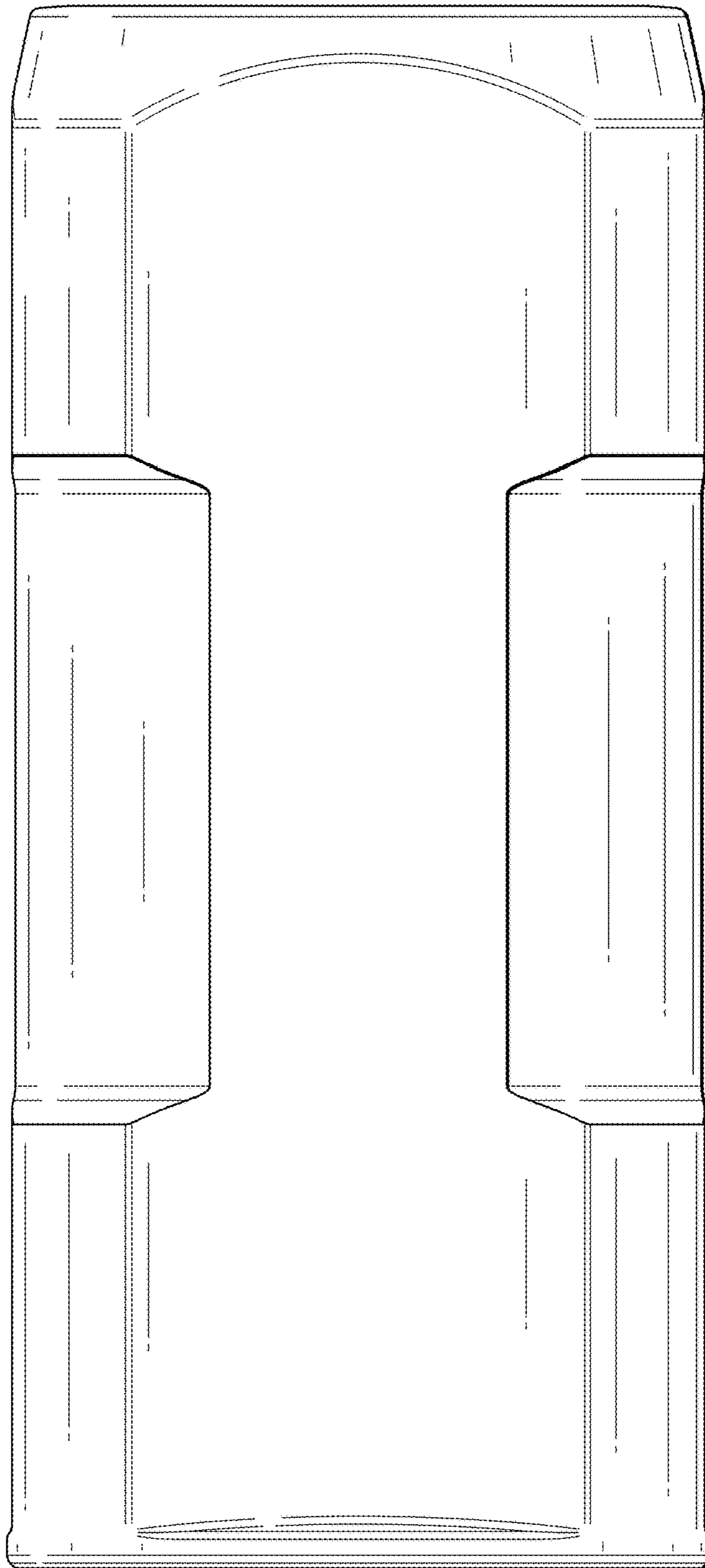


FIG. 8