



US00D833564S

(12) **United States Design Patent** (10) **Patent No.:** **US D833,564 S**
Gaddini (45) **Date of Patent:** **** Nov. 13, 2018**

- (54) **FIREARM BIPOD**
- (71) Applicant: **Grip Pod Systems International, LLC, Naples, FL (US)**
- (72) Inventor: **Joseph D. Gaddini, Naples, FL (US)**
- (73) Assignee: **Grip Pod Systems International, LLC, Stratham, NH (US)**
- (**) Term: **15 Years**
- (21) Appl. No.: **29/604,604**
- (22) Filed: **May 18, 2017**

2,763,456 A	9/1956	Breer	
3,235,997 A	2/1966	Stoner	
D222,118 S *	9/1971	Nakatani	D16/244
3,632,073 A	1/1972	Nakatani	
4,121,799 A	10/1978	Michio	
D276,621 S *	12/1984	Hanke	D16/244
4,545,660 A	10/1985	Rudolf	
4,570,887 A	2/1986	Banister	
4,640,481 A	2/1987	Kohno	
4,807,837 A	2/1989	Gawlik	
5,081,478 A	1/1992	Hayashida	
5,345,706 A	9/1994	Brown	
5,384,609 A	1/1995	Ogawa	
5,438,786 A	8/1995	Hilderbrand	
6,289,622 B1	9/2001	Desch	
6,487,807 B1	12/2002	Kopman	
6,773,172 B1	8/2004	Johnson	
7,111,424 B1	9/2006	Moody	
7,121,034 B2	10/2006	Keng	
D560,258 S *	1/2008	Hatcher	D21/573
D566,219 S	4/2008	Moody	
D566,220 S	4/2008	Moody	
7,409,791 B2 *	8/2008	Moody	F41A 23/08 248/171

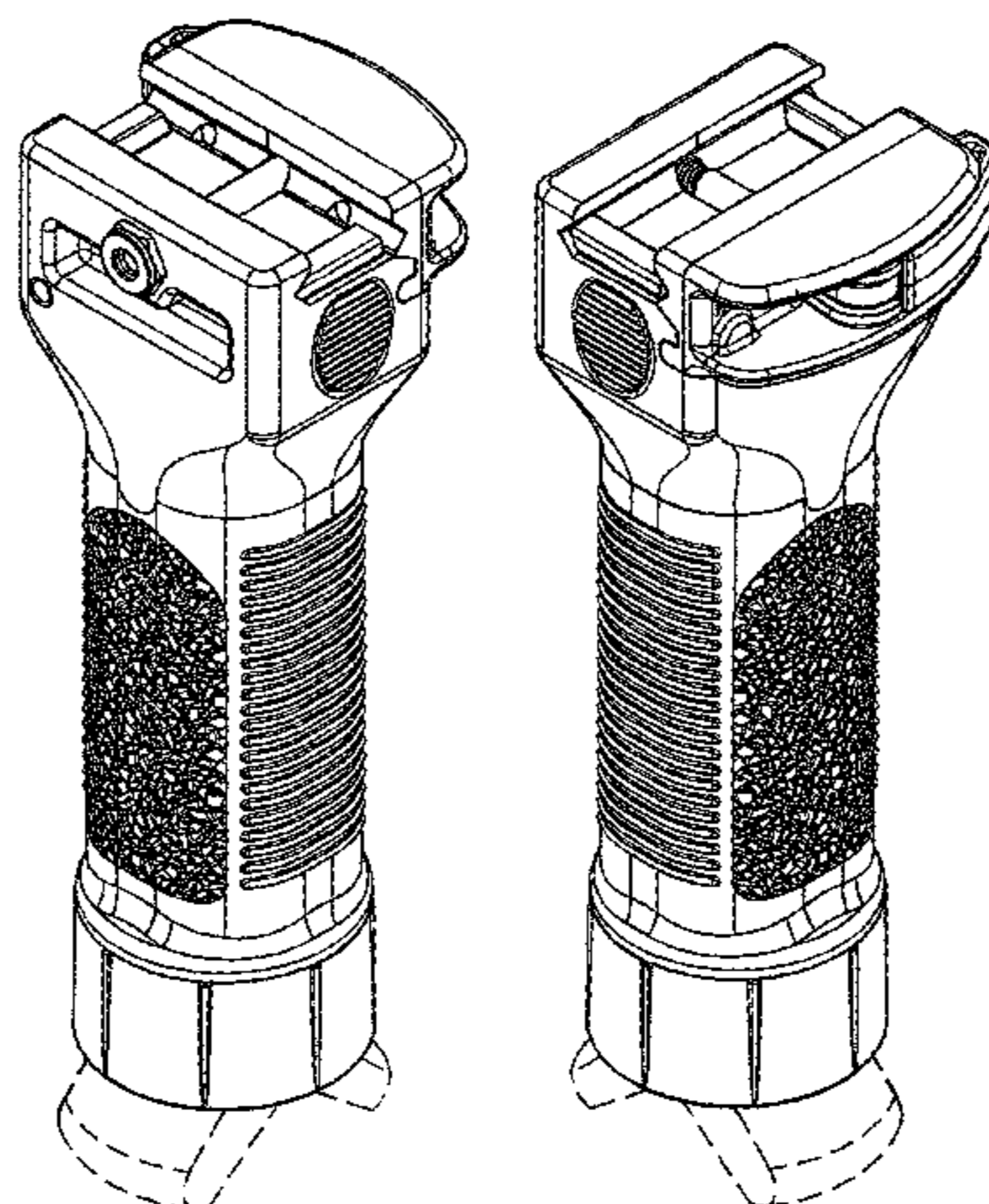
Related U.S. Application Data

- (62) Division of application No. 29/557,314, filed on Mar. 8, 2016, now Pat. No. Des. 790,652.
- (51) **LOC (11) Cl.** **22-01**
- (52) **U.S. Cl.**
USPC **D22/108**
- (58) **Field of Classification Search**
USPC D22/100, 108, 199; 362/109-114;
42/11, 72, 85, 90, 94, 106, 113, 114, 116,
42/117, 119, 124-128, 131, 145, 146,
42/75.02, 71.01; 124/205.1, 201
CPC F41C 23/10; F41C 23/14; F41C 23/16;
F41C 23/18
See application file for complete search history.

7,421,815 B1 *	9/2008	Moody	F41C 23/16 248/171
D580,474 S *	11/2008	Lee	D16/242
7,490,429 B2 *	2/2009	Moody	F41A 23/08 248/171
7,559,167 B1	7/2009	Moody	
7,568,304 B1	8/2009	Moody	
7,584,568 B1	9/2009	Brownlee	
D608,408 S	1/2010	Moody	
D609,768 S	2/2010	Moody	
7,665,239 B1	2/2010	Moody	
7,665,241 B2	2/2010	Oz	
7,669,357 B2 *	3/2010	Moody	F41A 23/08 42/72
D617,863 S	6/2010	Moody	
7,743,545 B1 *	6/2010	Moody	F41C 23/16 248/161
7,823,855 B2	11/2010	Faifer	
7,891,126 B2 *	2/2011	Moody	F41C 23/16 248/171
7,909,301 B2 *	3/2011	Faifer	F16M 11/041 248/166
7,987,625 B1	8/2011	Moody	
D644,707 S	9/2011	Faifer	
D660,934 S	5/2012	Faifer	
8,215,047 B2 *	7/2012	Ash, Jr.	F41C 23/16 42/71.01
8,225,543 B2 *	7/2012	Moody	F41A 23/08 248/171

(56) **References Cited**
U.S. PATENT DOCUMENTS

271,251 A	1/1883	Leerbech
575,529 A	1/1897	Stephens
721,425 A	2/1903	Clyde
1,295,688 A	2/1919	Butler
1,355,660 A	10/1920	Farquhar
1,382,409 A	6/1921	Butler
1,580,406 A	4/1926	Browning
2,386,802 A	10/1945	Johnson
2,420,267 A	5/1947	Sefried
2,436,349 A	2/1948	Adams
2,489,283 A	11/1949	Garand



8,341,864	B2 *	1/2013	Moody	F41A 23/08	
						42/72
8,607,491	B2 *	12/2013	Moody	F41C 23/16	
						42/72
D704,298	S *	5/2014	Cheng	D22/109	
D706,894	S	6/2014	Clifton			
8,806,796	B1	8/2014	Clifton			
8,869,442	B2	10/2014	Moody			
8,875,434	B2	11/2014	Michal			
D727,455	S	4/2015	Ding			
D749,186	S	2/2016	Cheng			
9,423,208	B1	8/2016	Mahmalji			
D790,652	S *	6/2017	Gaddini	D22/108	
9,696,111	B2 *	7/2017	Saadon	F41G 11/003	
9,709,356	B1 *	7/2017	Anstett	F41C 23/16	
D814,594	S *	4/2018	Saadon	D22/108	
2004/0060222	A1	4/2004	Oz			
2005/0188588	A1 *	9/2005	Keng	F41A 23/10	
						42/72
2005/0241206	A1	11/2005	Teetzel			
2006/0277809	A1	12/2006	Moody			
2008/0276518	A1	11/2008	Moody			
2009/0038199	A1	2/2009	Oz			
2009/0045304	A1	2/2009	Faifer			
2009/0056192	A1 *	3/2009	Oz	F41A 23/08	
						42/94
2009/0193702	A1	8/2009	Lin			
2010/0005696	A1	1/2010	Moody			
2010/0084524	A1 *	4/2010	Faifer	F16M 11/041	
						248/170
2010/0132239	A1 *	6/2010	Moody	F41A 23/08	
						42/72
2010/0242332	A1	9/2010	Teetzel			
2010/0307043	A1	12/2010	Moody			
2011/0047850	A1 *	3/2011	Rievley	F41C 23/16	
						42/72
2011/0179688	A1	7/2011	Ash			
2012/0272557	A1	11/2012	Yan			
2015/0300775	A1 *	10/2015	Combs	F41C 23/16	
						42/72
2016/0245616	A1	8/2016	Derousse			

FOREIGN PATENT DOCUMENTS

FR 2623595 5/1989

OTHER PUBLICATIONS

Cam Lever (CL) Grip Pod, Tactical-Life.com, Apr. 4, 2013, [online], [site visited Jul. 17, 2018]. <URL: <https://www.tactical-life.com/products/cam-lever-cl-grip-pod/>> (Year: 2013).*

Grip Pod Announces Version 2 Coming Soon, TheFirearmBlog.com, Posted Jan. 20, 2016, Phil White, [online], [site visited Jul. 17, 2018]. <URL: <https://www.thefirearmblog.com/blog/2016/01/20/grip-pod-announces-mod-2-coming-soon/>> (Year: 2016).*

How to choose a Grip Pod for your specific application, MilitaryWarfighter.com, [online], [site visited Jul. 17, 2018]. <URL: https://www.militarywarfighter.com/Grip_Pod_Comparison_and_FAQ_s/523.htm> (Year: 2018).*

Archer, Denis, H.R., Jane's Infantry Weapons 1976, 4 pages.

Brugger & Thomet Unipod, Forward Grip with Retractable Bipod, [online], DSA, Inc. Systems Second to None, DSA Order Center, retrieved on Oct. 18, 2006, retrieved from <http://www.dsarms.com/item-detail.fcm?ID=BT21830A&storeid=1&image=bt221830A.gif>, 2 pages.

GPS, LLC, Cam Lever V2 Grip Pod, Brownells, retrieved from http://shop.brownells.com/shooting-accessories/bipods-monopods-amp-accessories/bipods/cam-lever-v2-grip-pod-black-sku100019878-87196-182514.aspx?cm_mmc=PPC-_-ltwine-_-Google-_-100-019-878&gclid=CNi_k-, 2 pages.

Grip-Pod LE Polymer (Tan) GPSLETAN, PrimaryArms.com, retrieved from <http://www.primaryarms.com/grip-pod-le-polymer-tan-gpsletan-gpsletan>, retrieved on Jan. 9, 2017, 5 pages.

New Products Week in Review Aug. 11, 2016, youtube.com, Brownells, Inc., published Aug. 11, 2016, retrieved from <https://www.youtube.com/watch?v=NsaSN5xYDsw>, 1 page.

GPS, LLC, Military Model Grip Pod Picatinny Mount, retrieved from <http://www.brownells.com/shooting-accessories/bipods-monopods-amp-accessories/bipods/military-model-grip-pod-picatinny-mount-prod24481.aspx>, retrieved on Jan. 9, 2017, 2 pages.

Grip Pod Announces Version 2 Coming Soon, TheFirearmBlog.com, posted Jan. 20, 2016, retrieved from <http://www.thefirearmblog.com/blog/2016/01/20/grip-pod-announces-mod-2-coming-soon/>, 9 pages.

Grip Pod AR15 V2 Forward Grip/Bipod Steel Cam Lever Blk, CheaperThanDirt.com, retrieved from <https://www.cheaperthandirt.com/product/grip-pod-ar15-v2-forward-grip-bipod-steel-cam-lever-blk-769498621165.do>, retrieved on Jan. 9, 2017, 2 pages.

Mako, Tactical Vertical Foregrip with Integrated Adjustable Bipod—Gen 2—T—PodG2QR, TheMakoGroup.com, retrieved from <http://www.themakogroup.com/tactical-vertical-foregrip-with-integrated-adjustable-bipod-gen-2-t-podg2qr.html>, retrieved on Jan. 9, 2017, 4 pages.

Grip Pod Systems Military Vertical Grip +Bi-Pod (GPS-V2), MilitaryWarfighter.com, retrieved from http://www.militarywarfighter.com/GripPod_GPS_V2_p/grippod-gps-v2.htm, retrieved on Jan. 9, 2017, 2 pages.

* cited by examiner

Primary Examiner — T Chase Nelson
 Assistant Examiner — Jonathan J. Han
 (74) Attorney, Agent, or Firm — Brian S. Steinberger;
 Law Offices of Brian S. Steinberger, P.A.

(57) CLAIM

The ornamental design for a firearm bipod, as shown and described.

DESCRIPTION

FIG. 1 is an upper front right perspective view of the novel firearm bipod with bipod in retracted position with clamp lever closed.

FIG. 2 is an upper rear left perspective view of the firearm bipod of FIG. 1.

FIG. 3 is a lower rear right perspective view of the firearm bipod of FIG. 1.

FIG. 4 is a lower front left view of the firearm bipod of FIG. 1.

FIG. 5 is a right side view of the firearm bipod of FIG. 1.

FIG. 6 is a left side view of the firearm bipod of FIG. 1.

FIG. 7 is a front view of the firearm bipod of FIG. 1.

FIG. 8 is a rear view of the firearm bipod of FIG. 1.

FIG. 9 is a top view of the firearm bipod of FIG. 1.

FIG. 10 is a bottom view of the firearm bipod of FIG. 1.

FIG. 11 is an upper front right perspective view of the firearm bipod of FIG. 1 with clamp lever open.

FIG. 12 is an upper rear left perspective view of the firearm bipod of FIG. 11.

FIG. 13 is a lower rear right perspective view of the firearm bipod of FIG. 11.

FIG. 14 is a lower front left view of the firearm bipod of FIG. 11.

FIG. 15 is a right side view of the firearm bipod of FIG. 11.

FIG. 16 is a left side view of the firearm bipod of FIG. 11.

FIG. 17 is a front view of the firearm bipod of FIG. 11.

FIG. 18 is a rear view of the firearm bipod of FIG. 11.

FIG. 19 is a top view of the firearm bipod of FIG. 11.

FIG. 20 is a bottom view of the firearm bipod of FIG. 11.

FIG. 21 is an upper front right perspective view of the novel firearm bipod of FIG. 1 with bipod in extended and expanded position with clamp lever closed.

FIG. 22 is an upper rear left perspective view of the firearm bipod of FIG. 21.

FIG. 23 is a lower rear right perspective view of the firearm bipod of FIG. 21.

FIG. 24 is a lower front left view of the firearm bipod of FIG. 21.

FIG. 25 is a right side view of the firearm bipod of FIG. 21.

FIG. 26 is a left side view of the firearm bipod of FIG. 21.

FIG. 27 is a front view of the firearm bipod of FIG. 21.

FIG. 28 is a rear view of the firearm bipod of FIG. 21.

FIG. 29 is a top view of the firearm bipod of FIG. 21; and,

FIG. 30 is a bottom view of the firearm bipod of FIG. 1.

The broken lines in FIGS. 1-30 are used for illustrating unclaimed portions of the firearm bipod and form no part of the claimed design.

1 Claim, 15 Drawing Sheets

FIG. 2

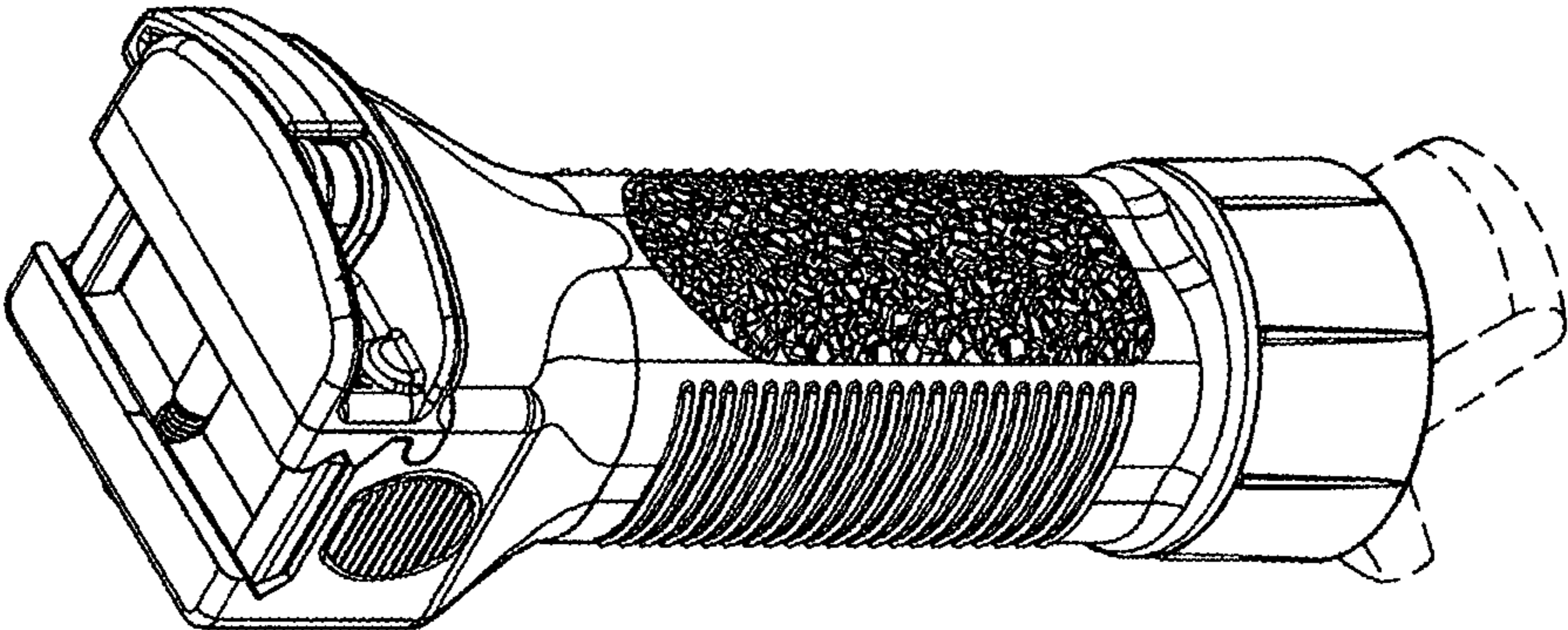


FIG. 1

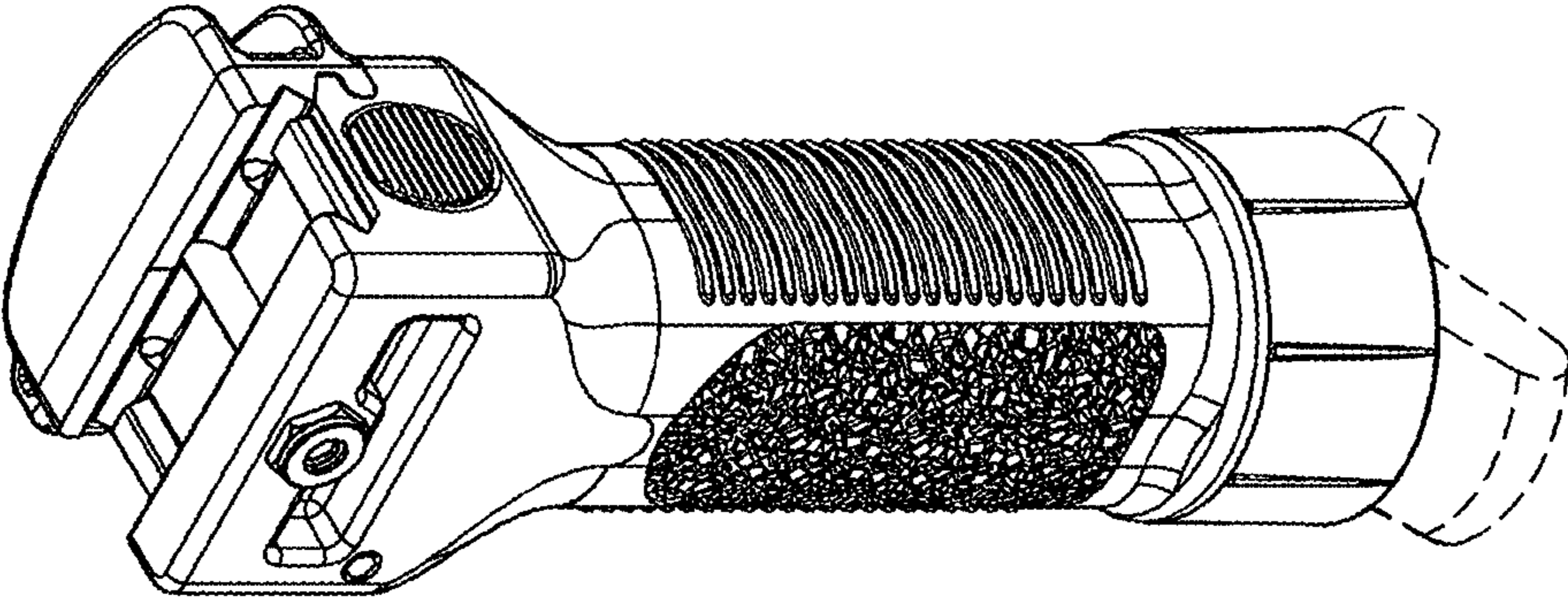


FIG. 4

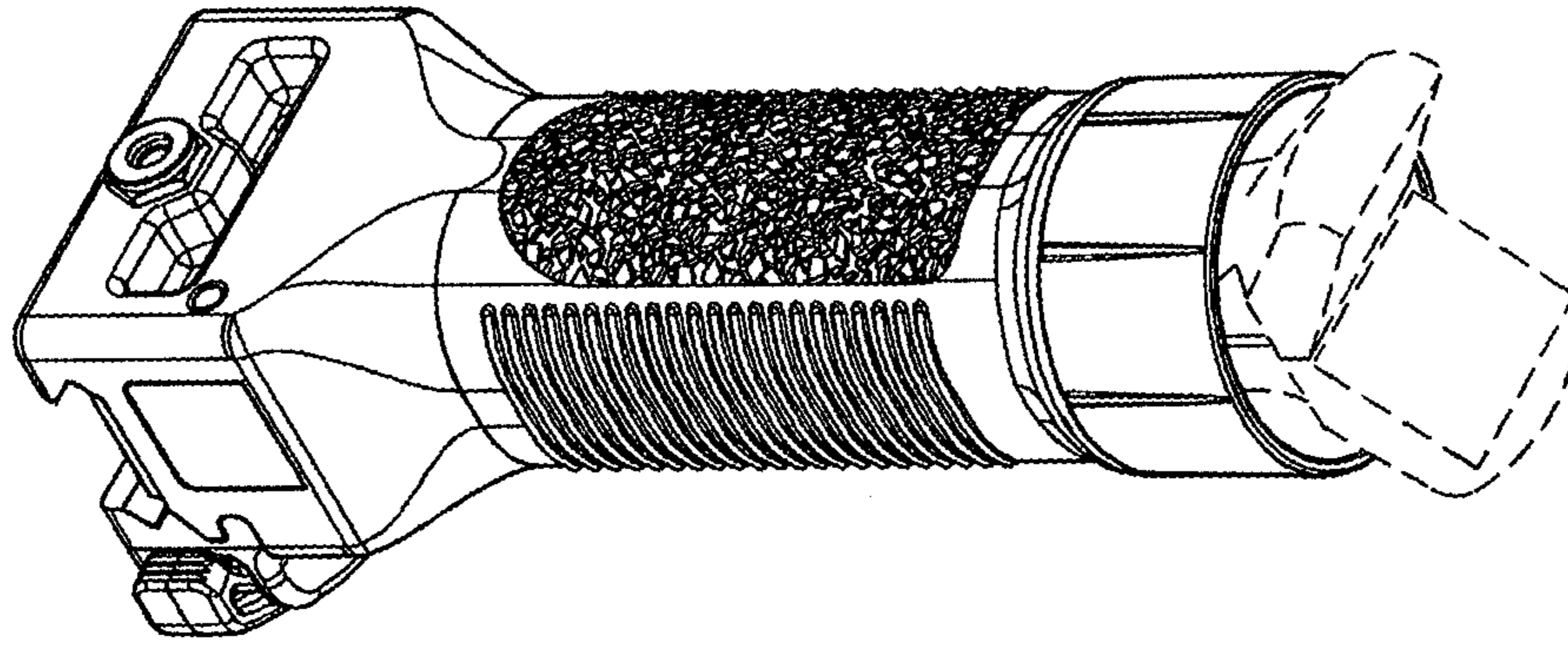


FIG. 3

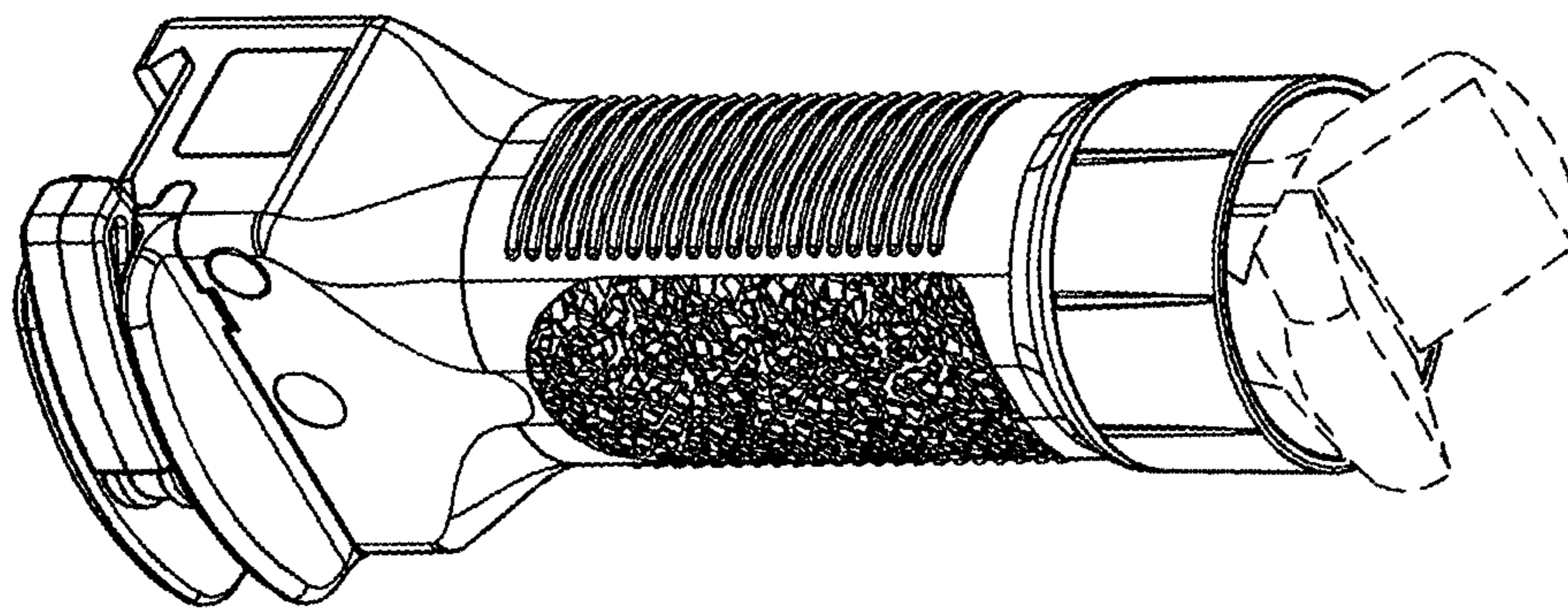


FIG. 6

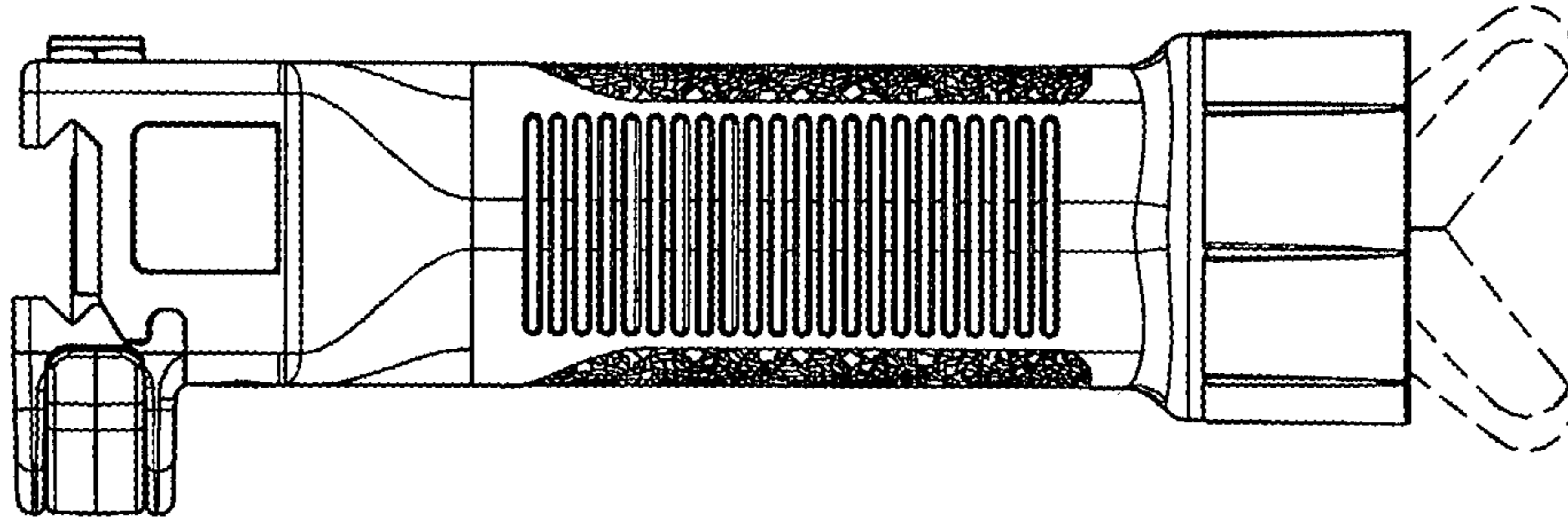


FIG. 5

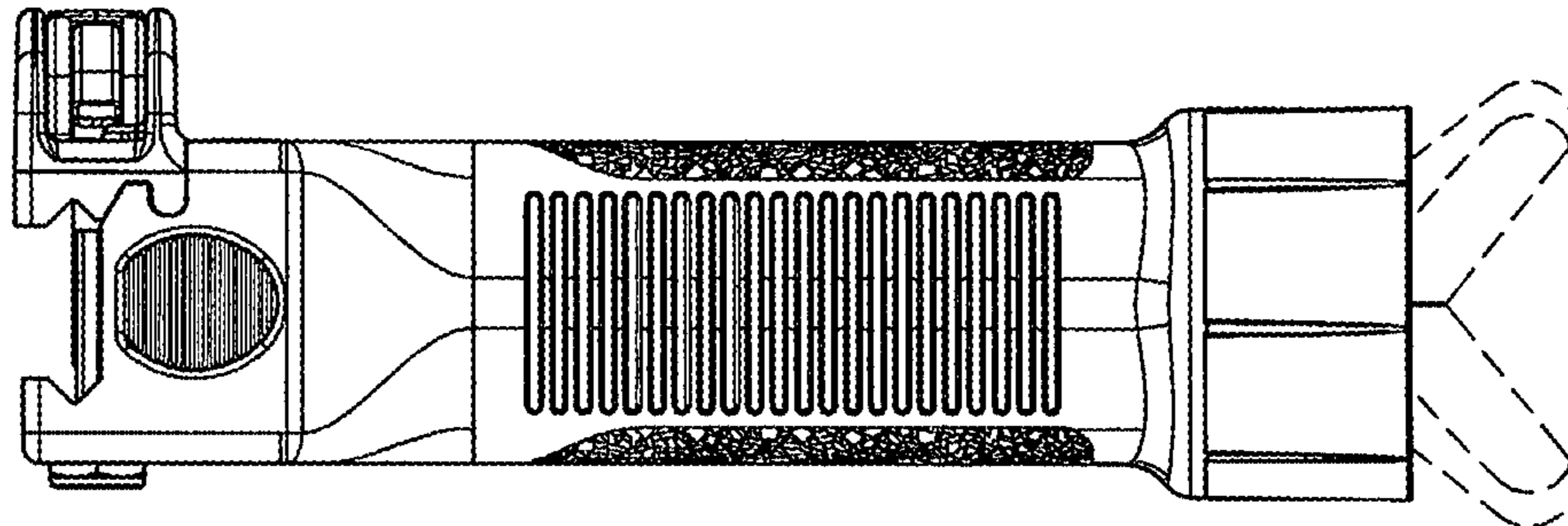


FIG. 8

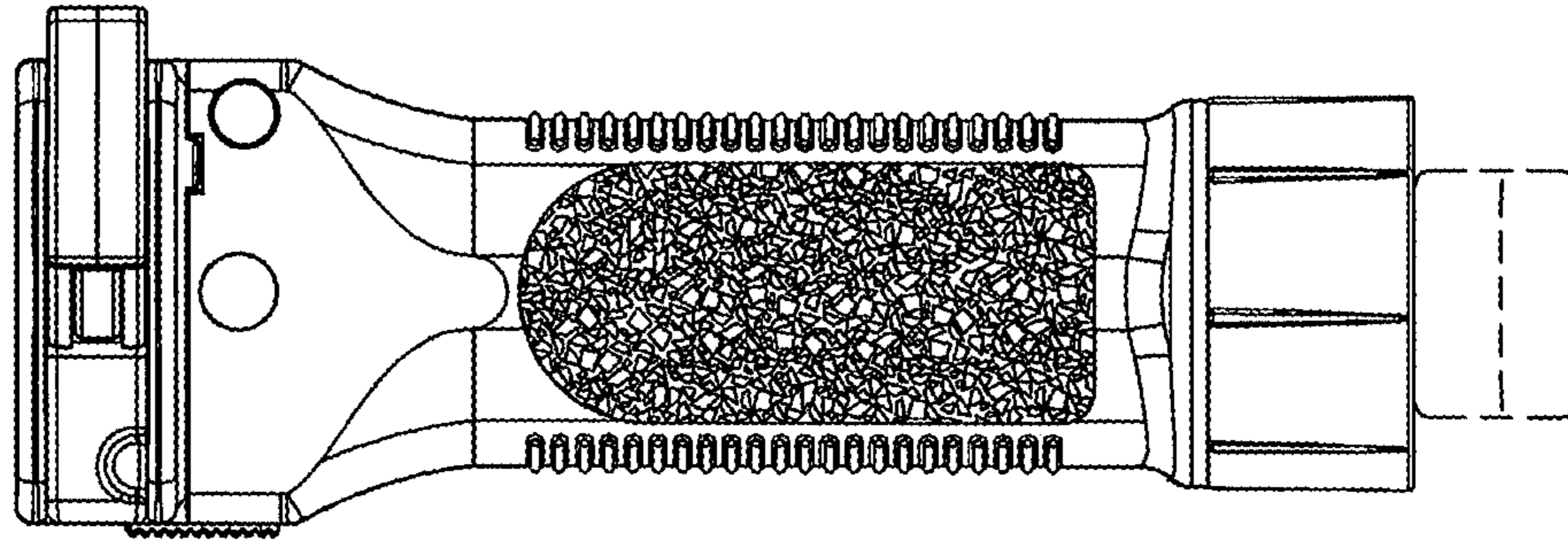


FIG. 7

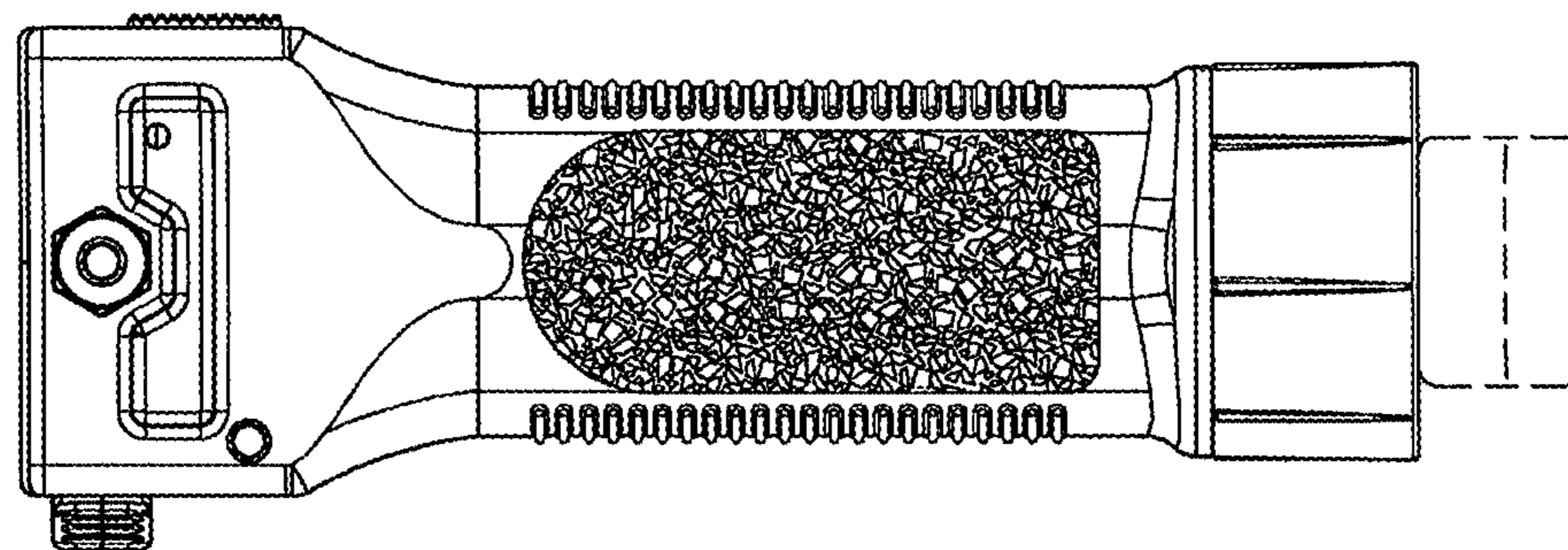


FIG. 10

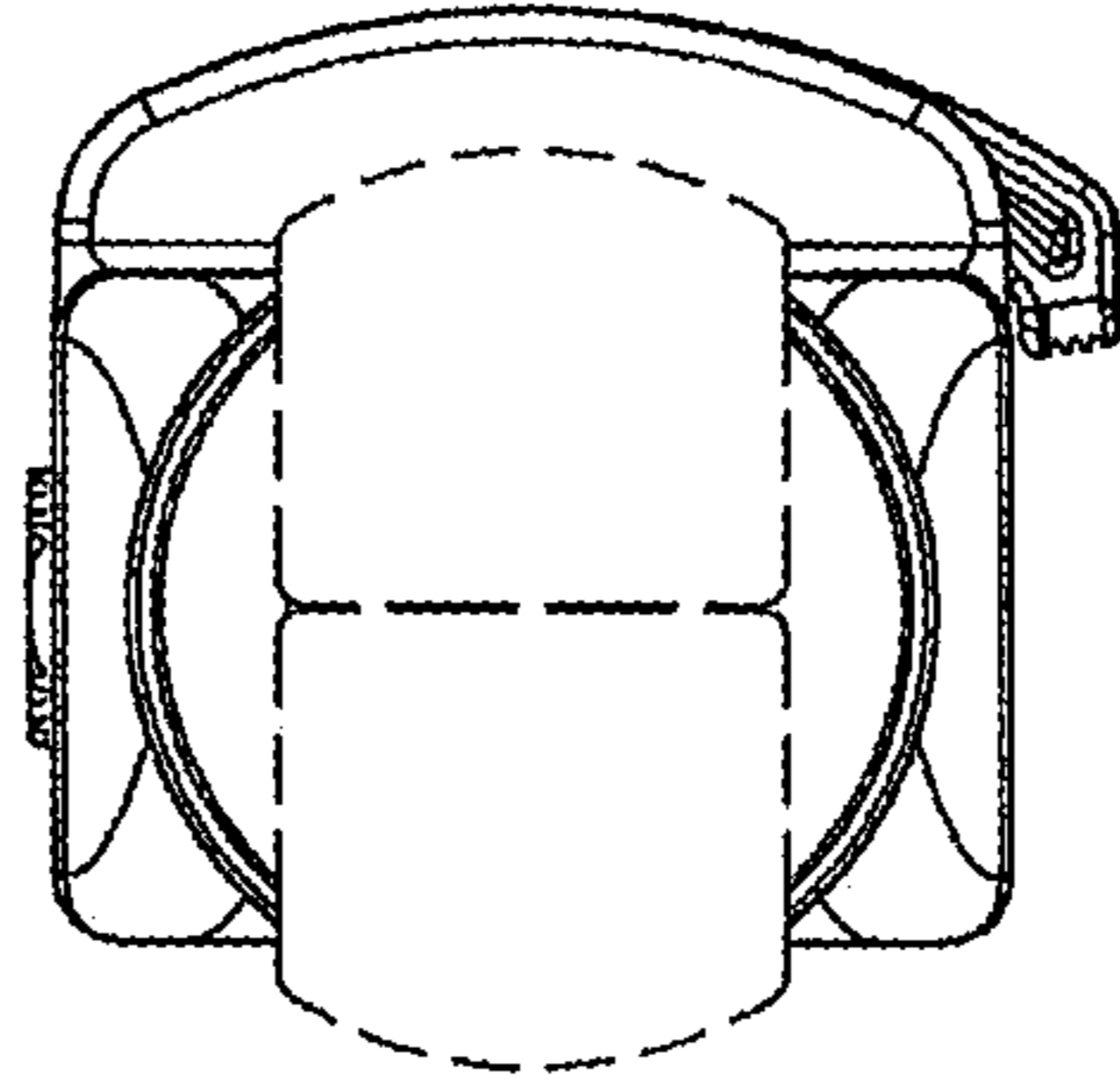


FIG. 9

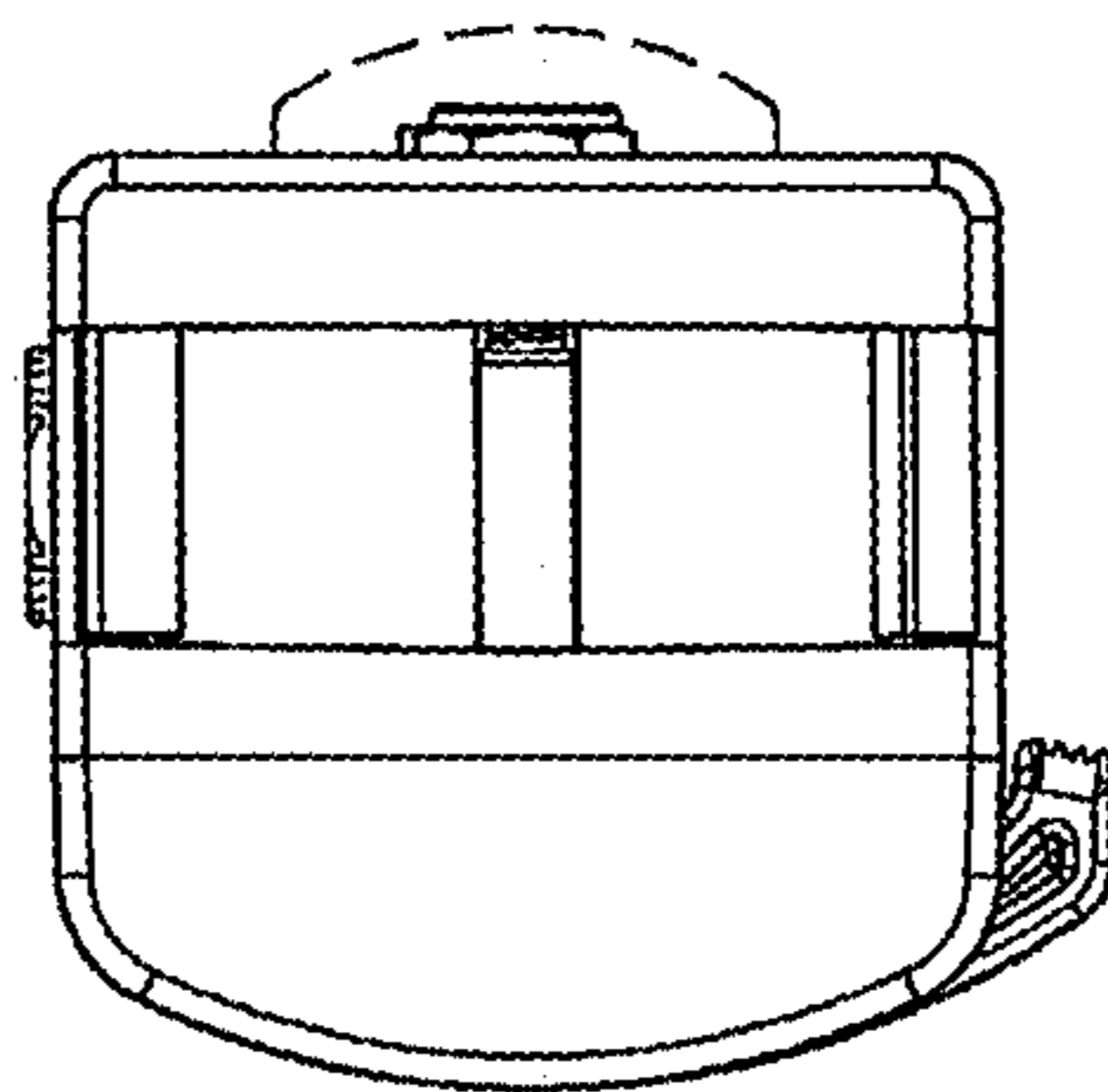


FIG. 12

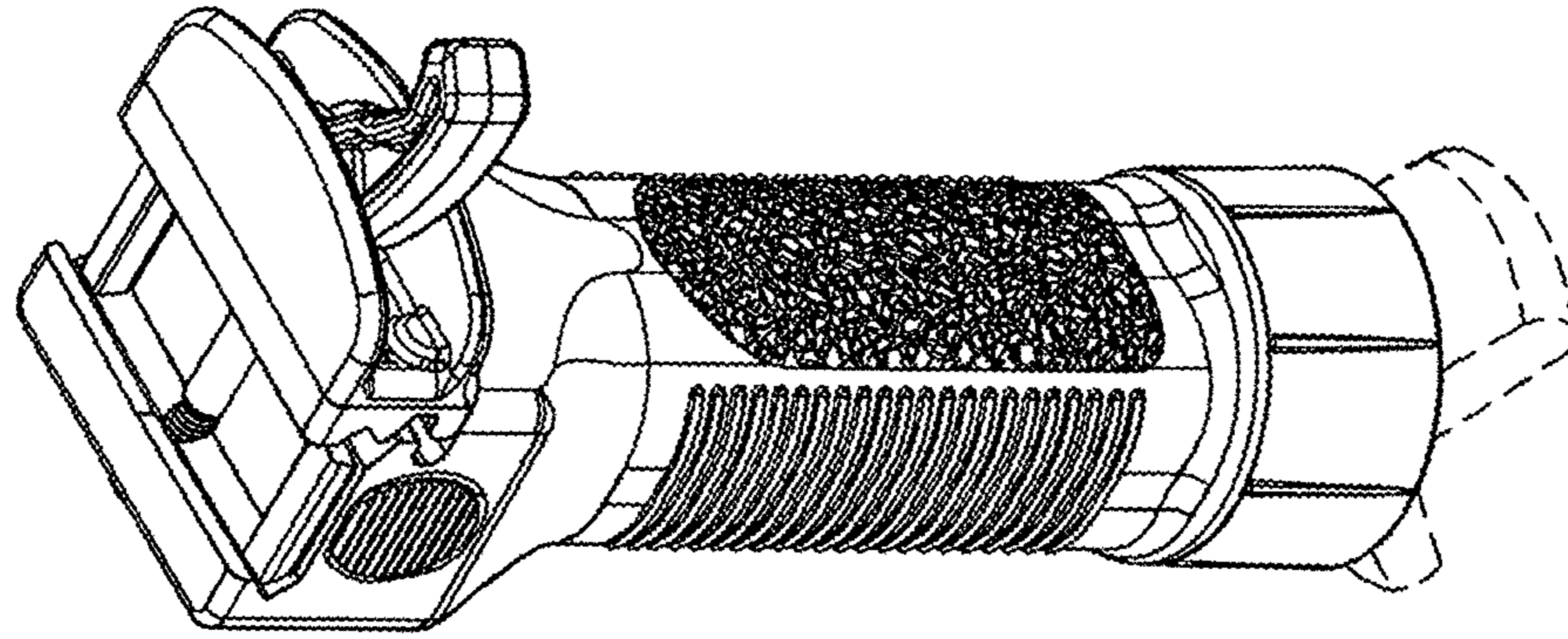


FIG. 11

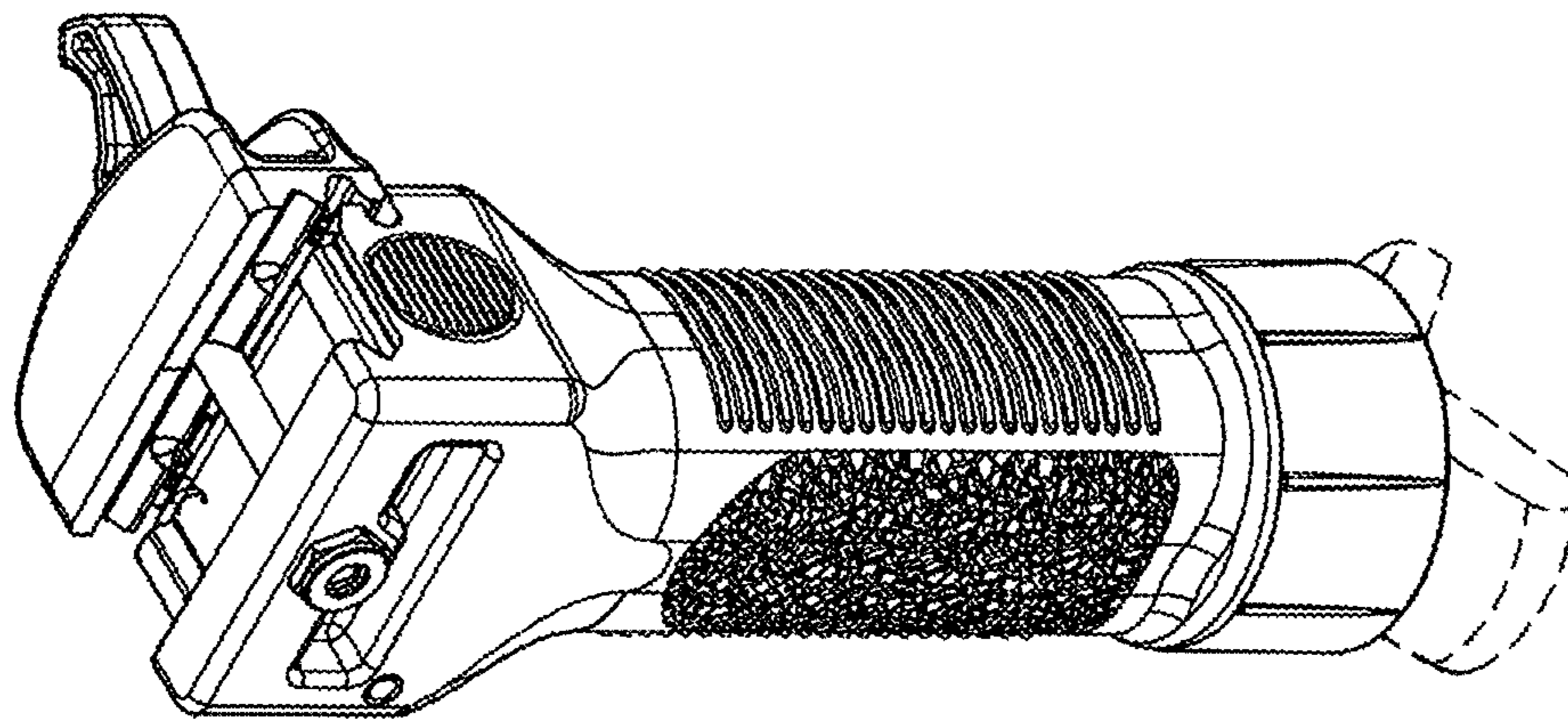


FIG. 14

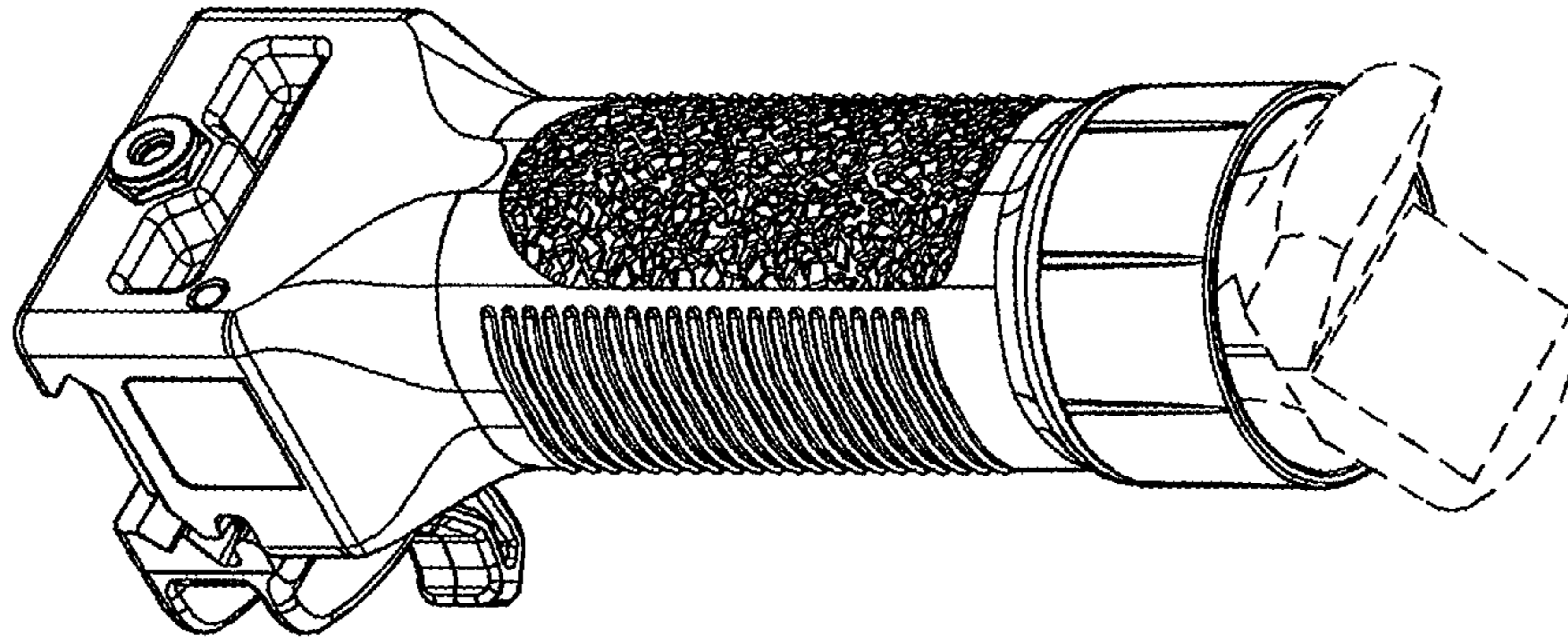


FIG. 13

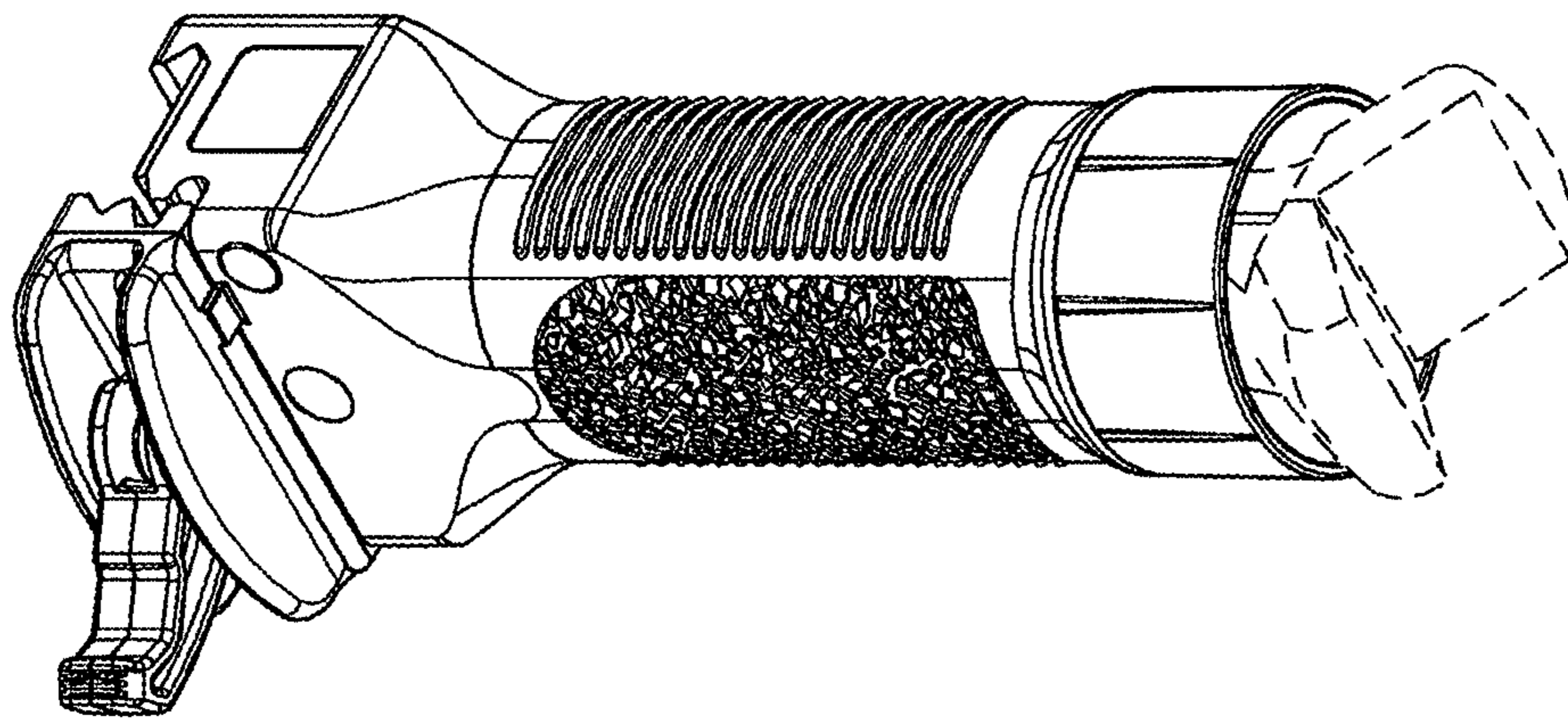


FIG. 16

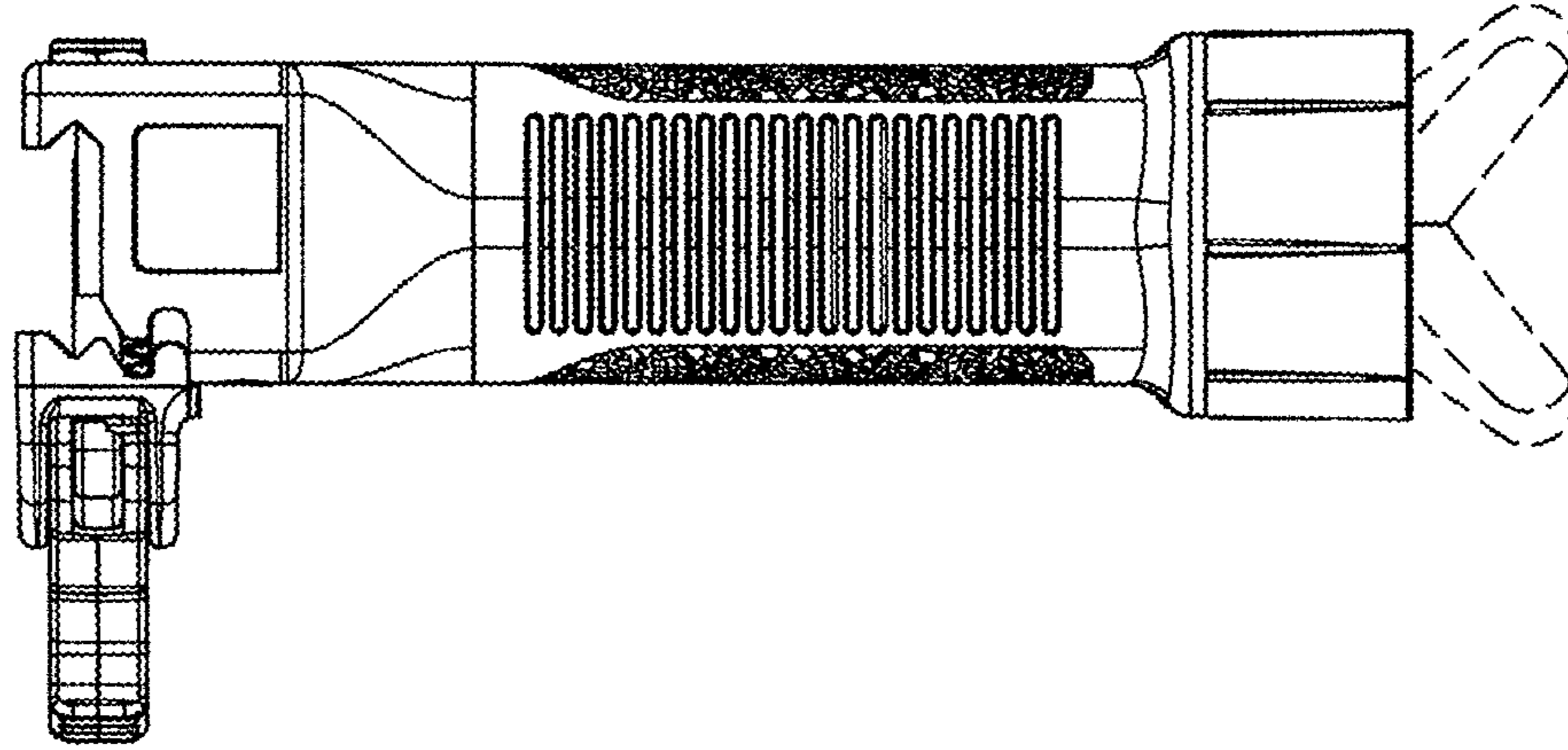


FIG. 15

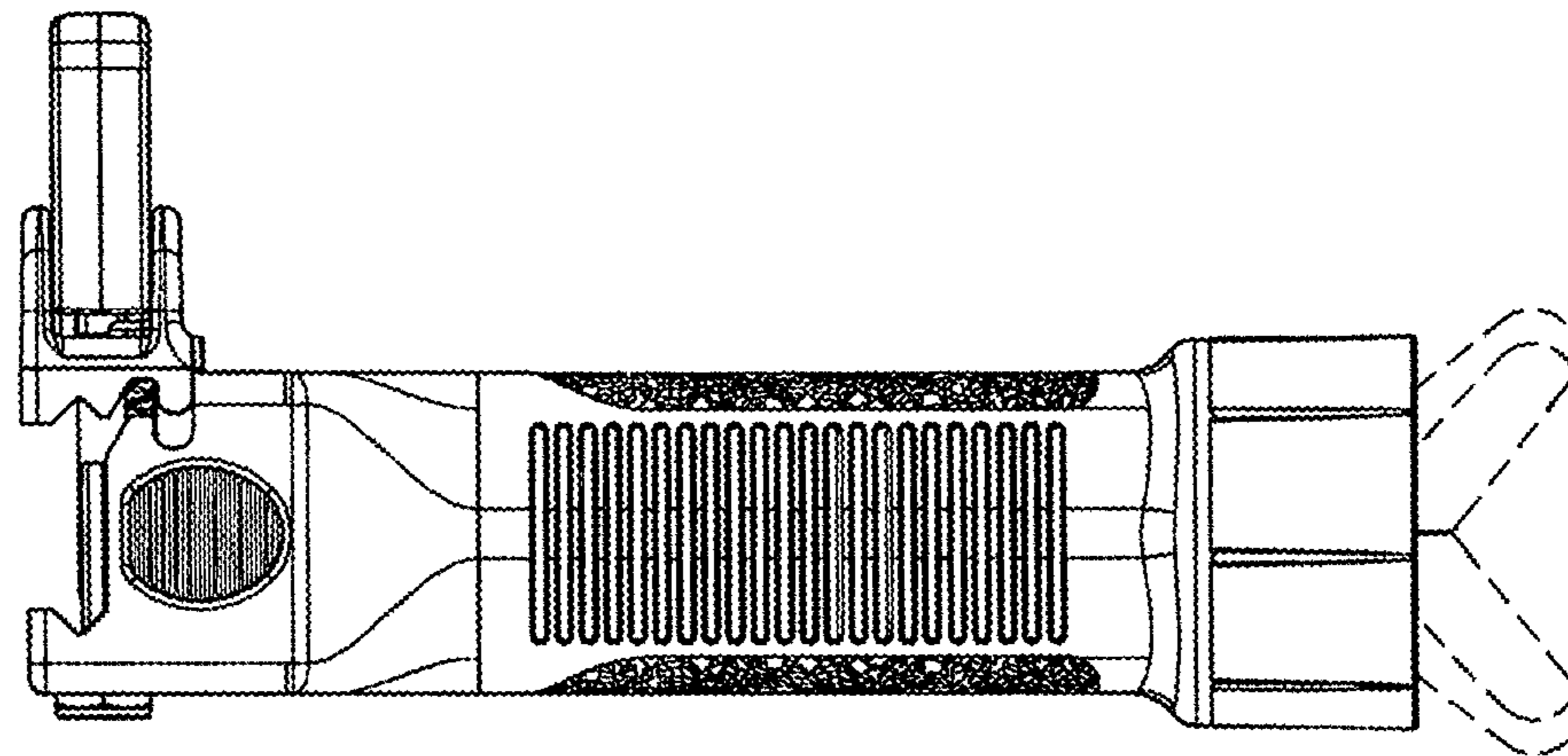


FIG. 18

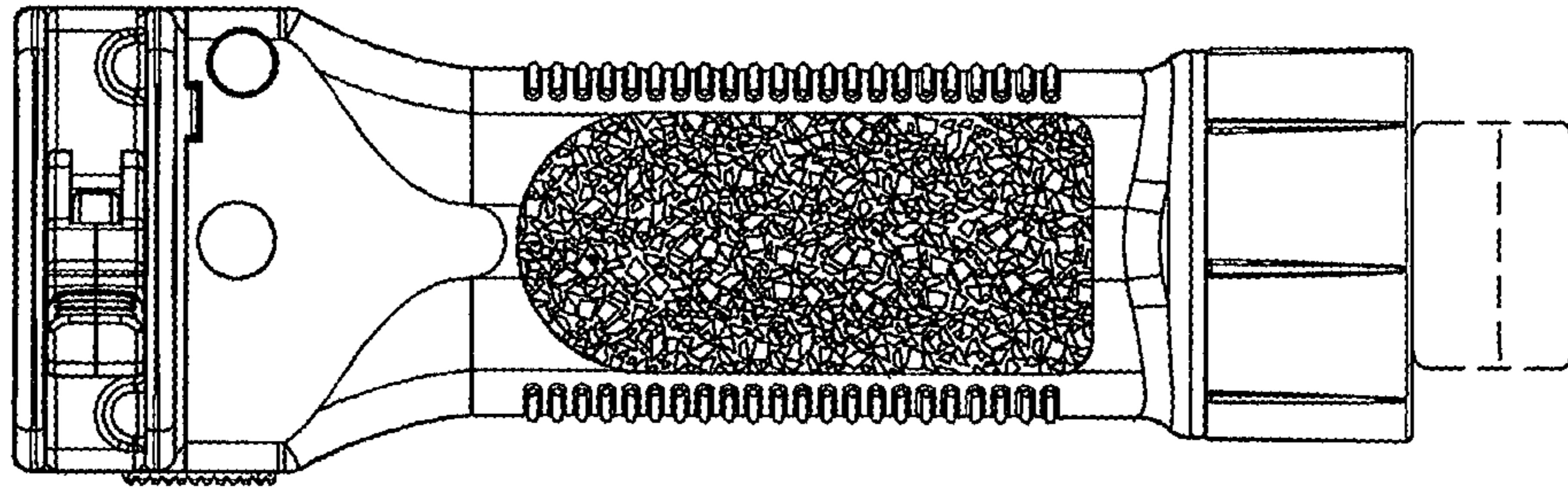


FIG. 17

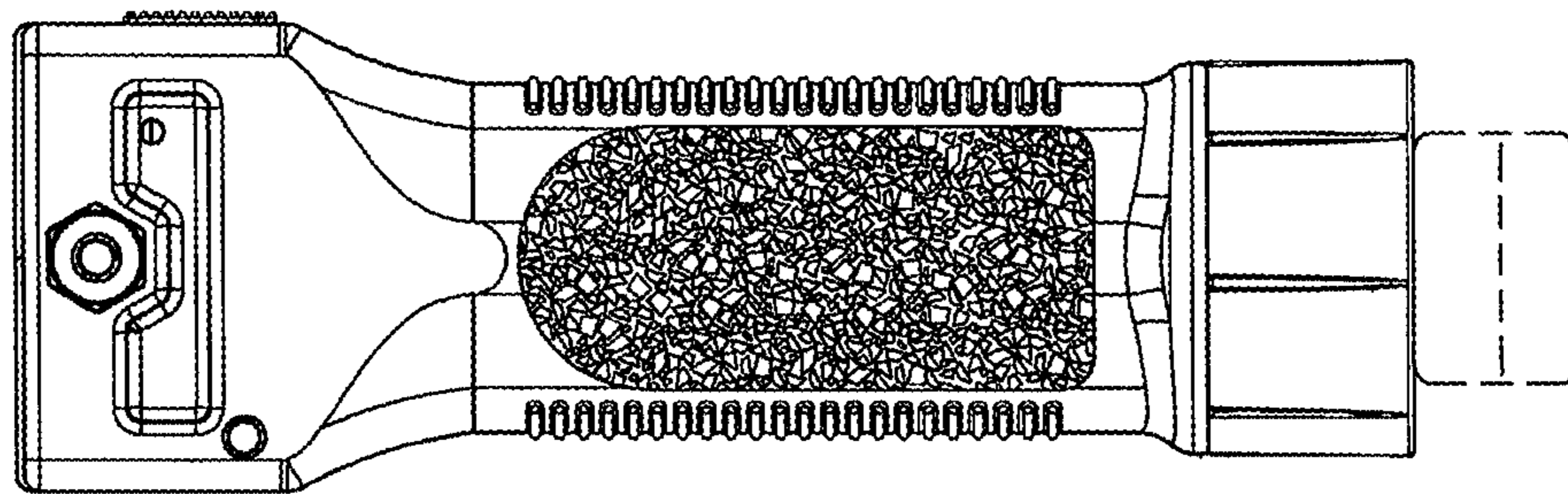


FIG. 20

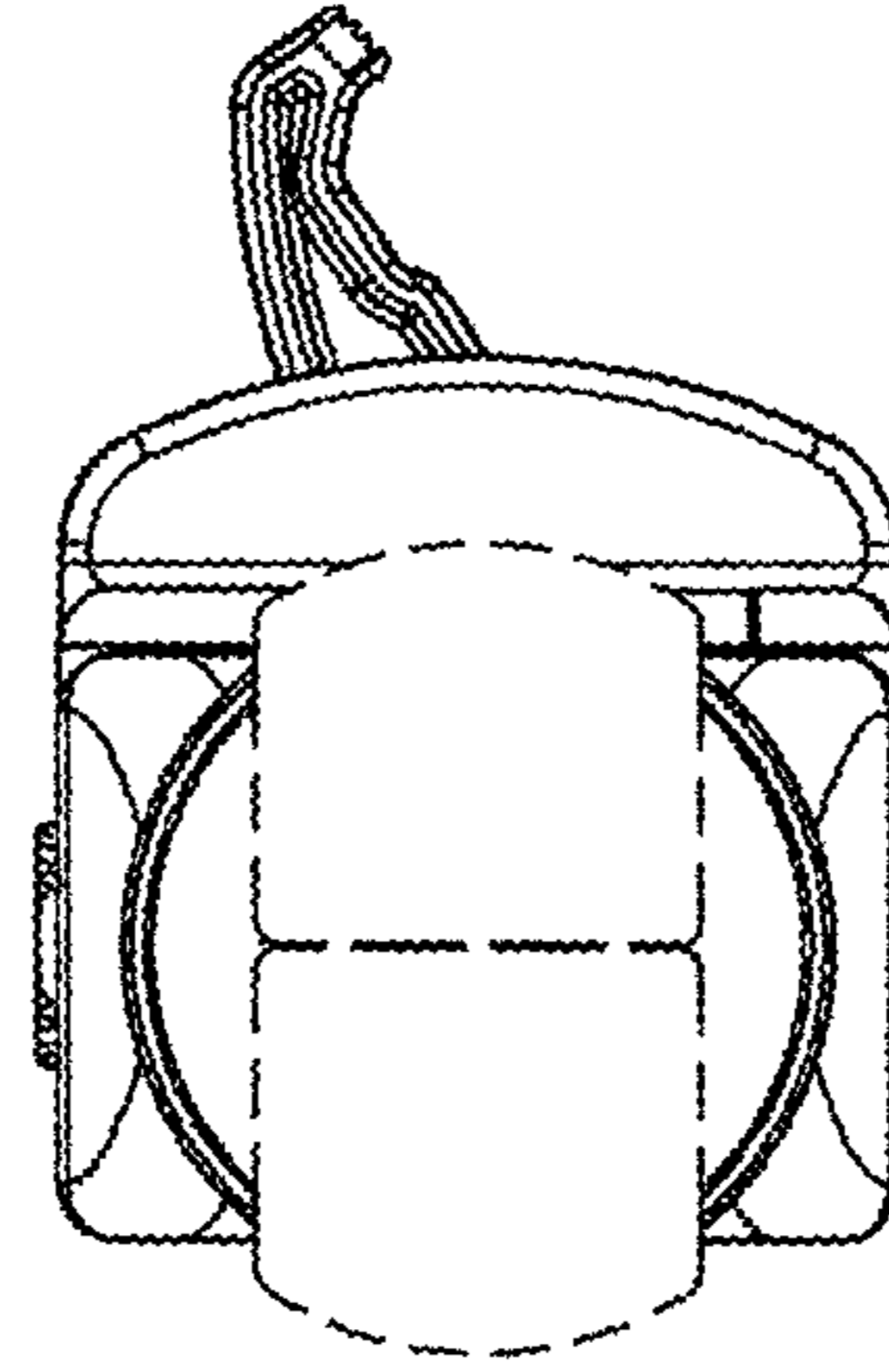


FIG. 19

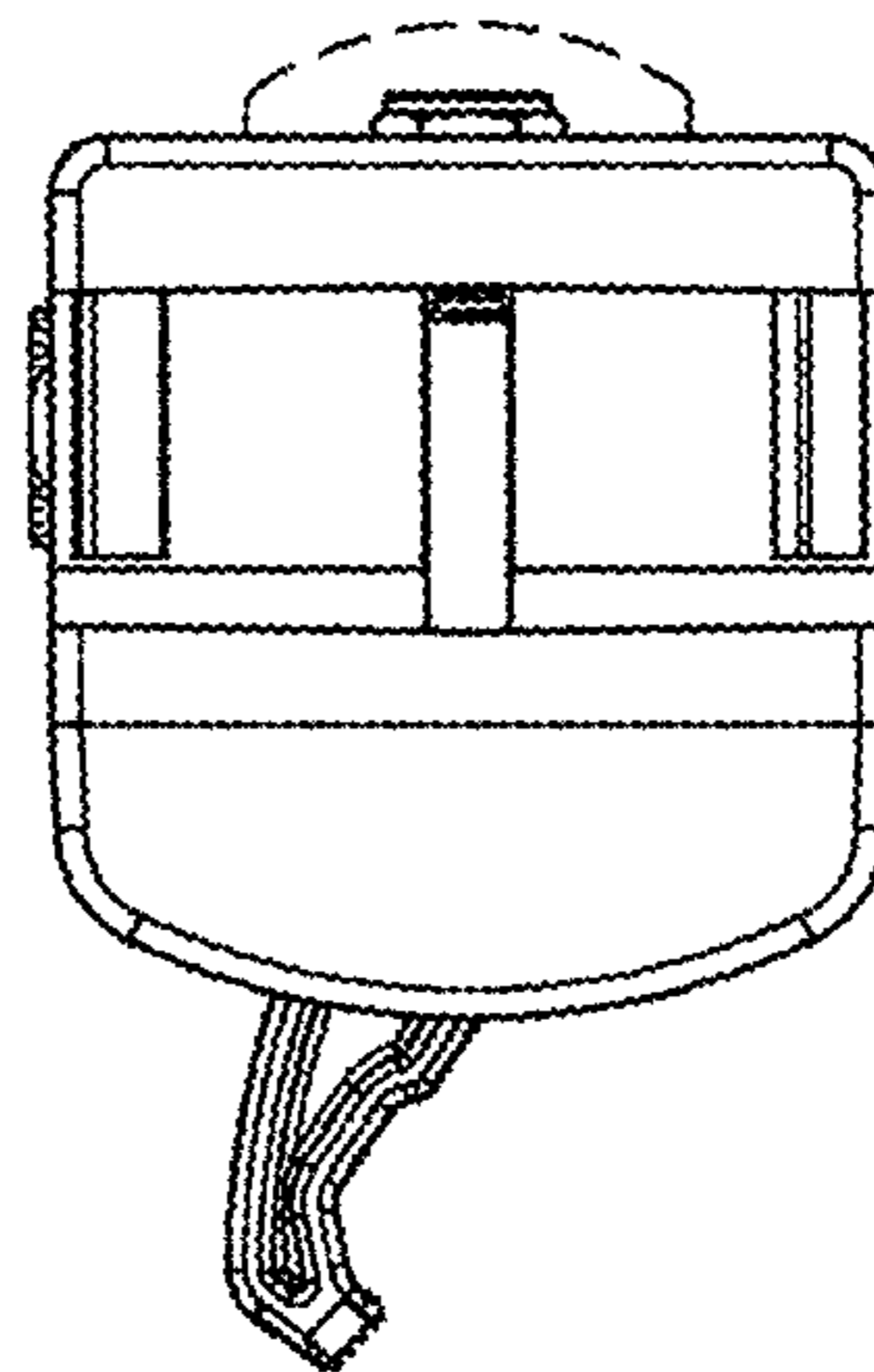


FIG. 22

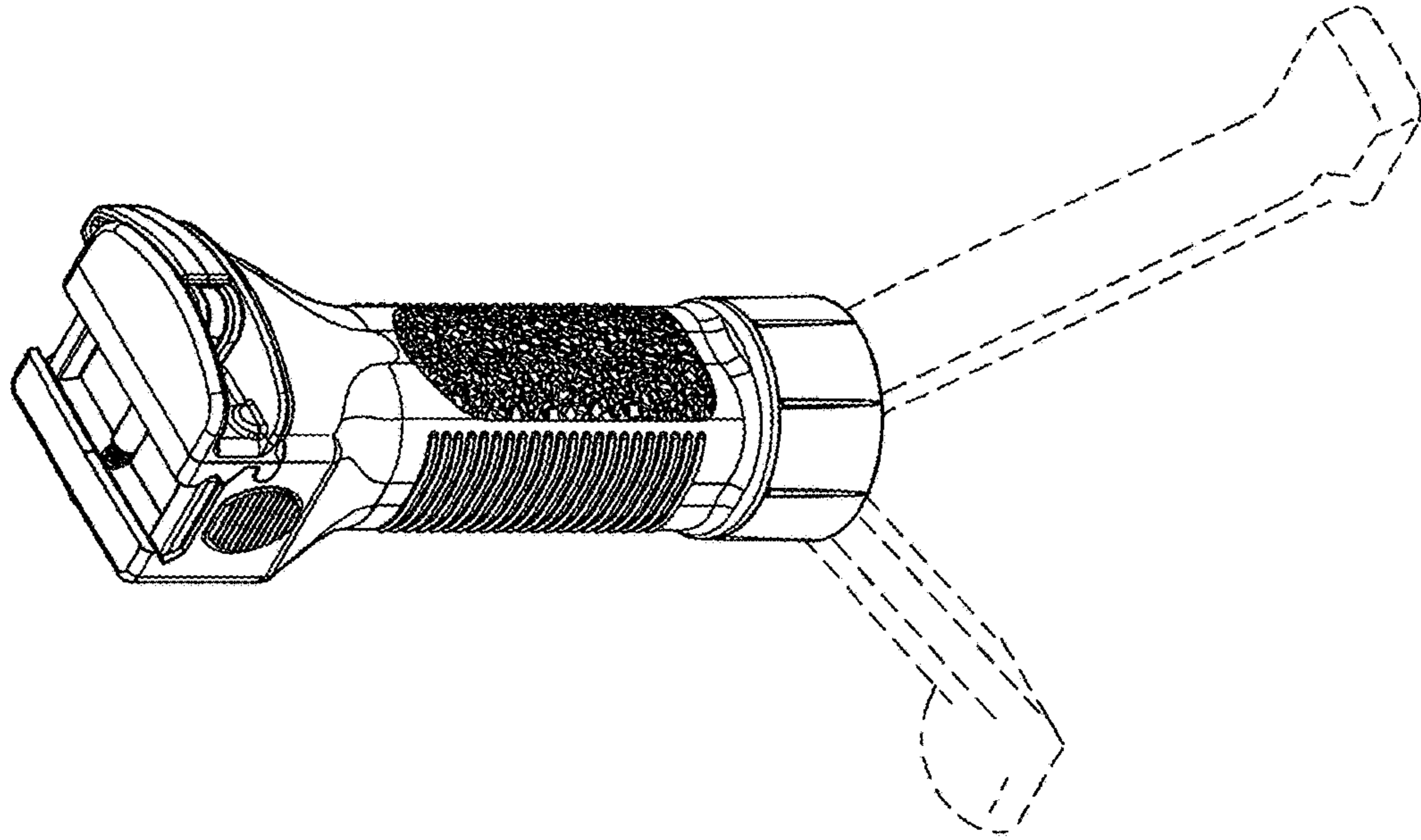


FIG. 21

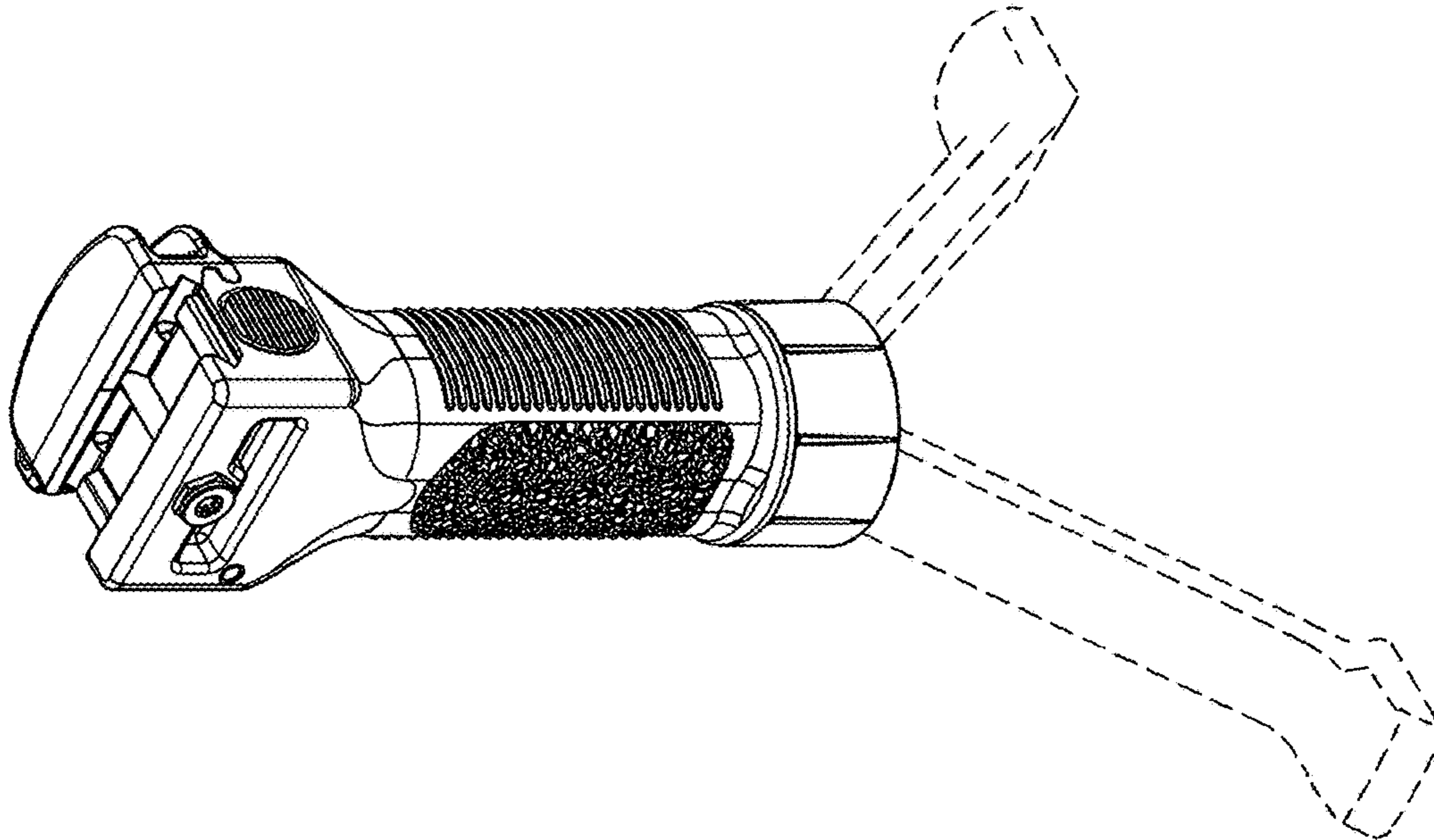


FIG. 24

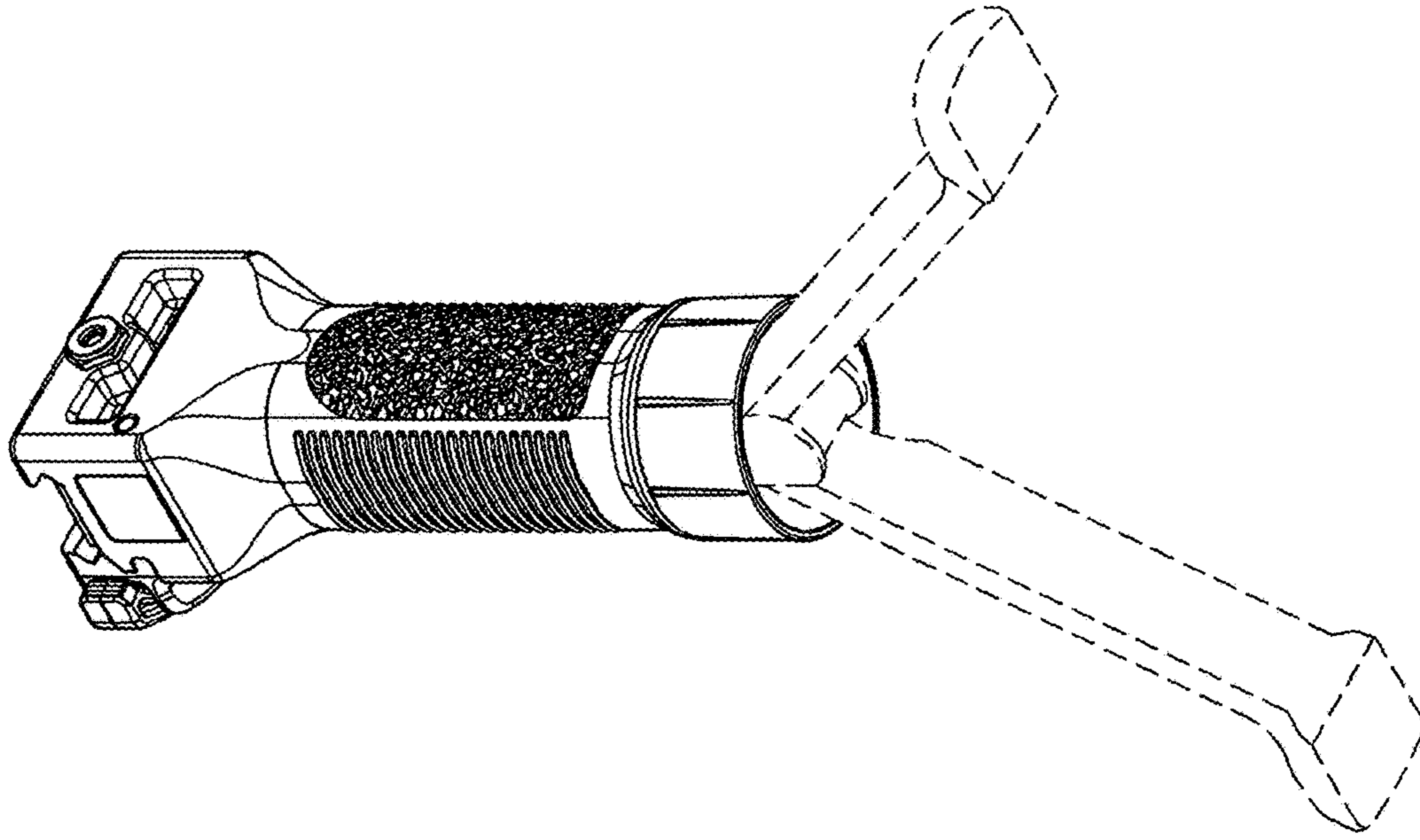


FIG. 23

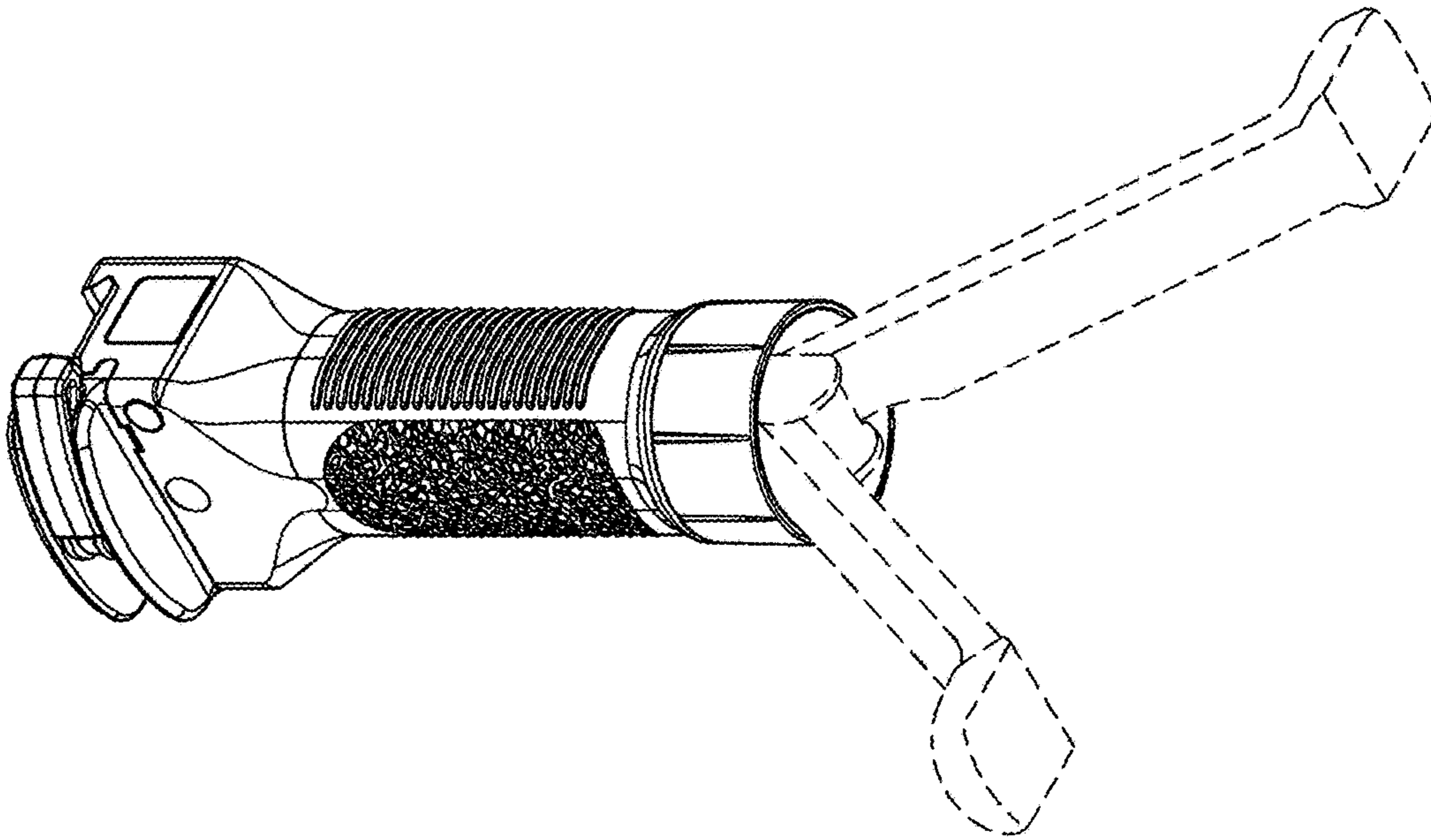


FIG. 26

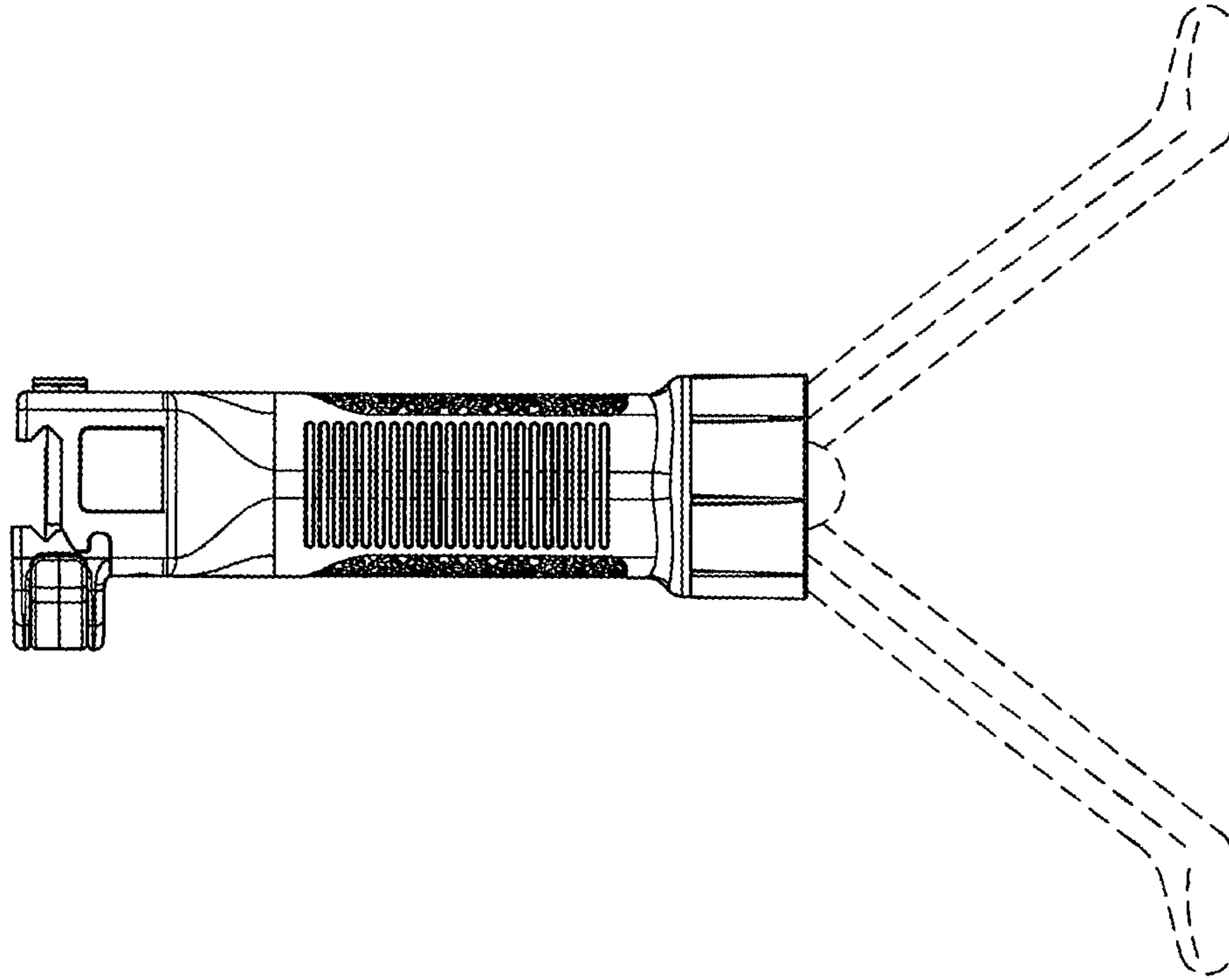


FIG. 25

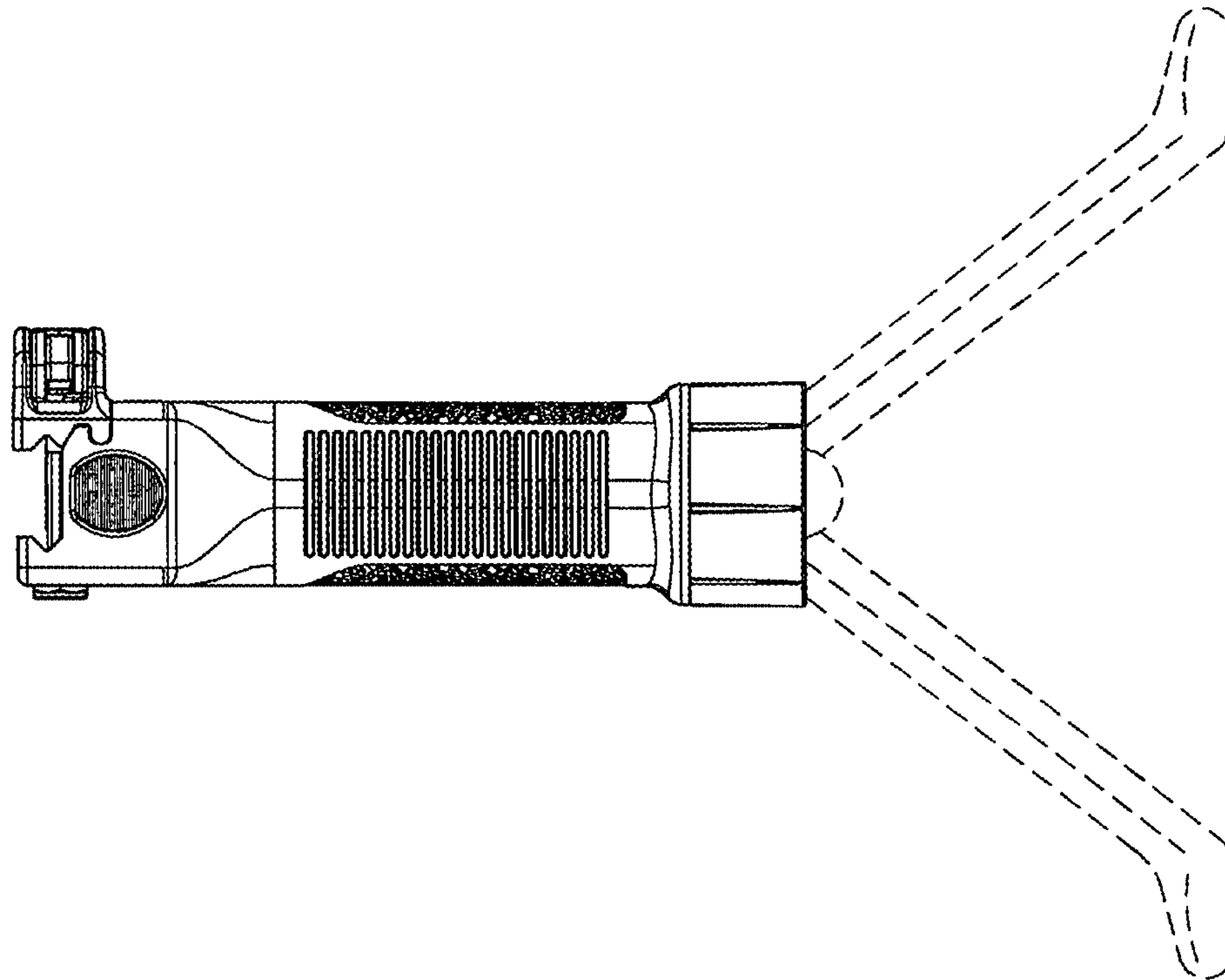


FIG. 28

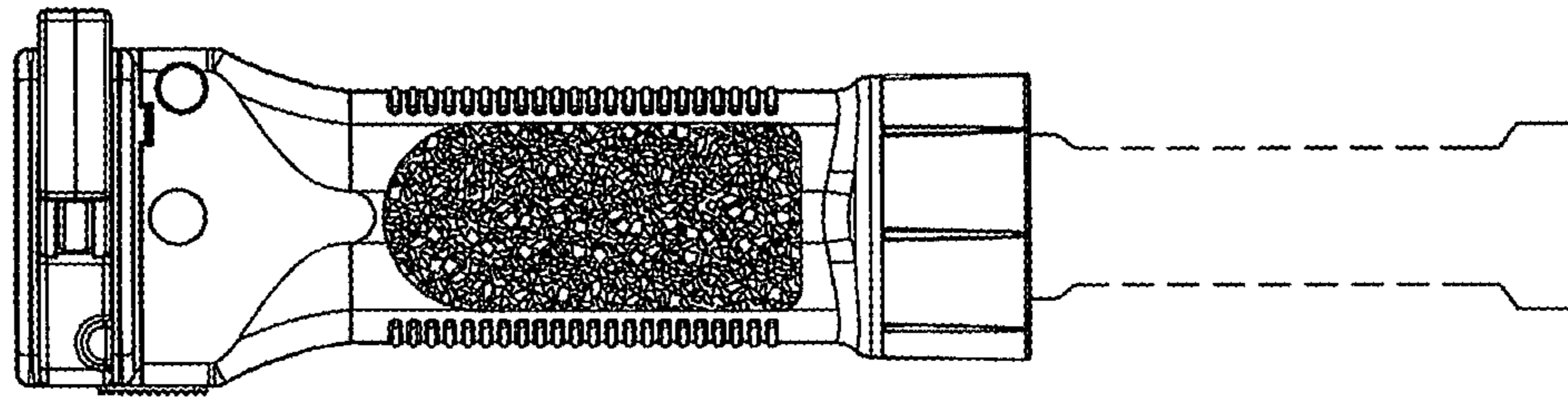


FIG. 27

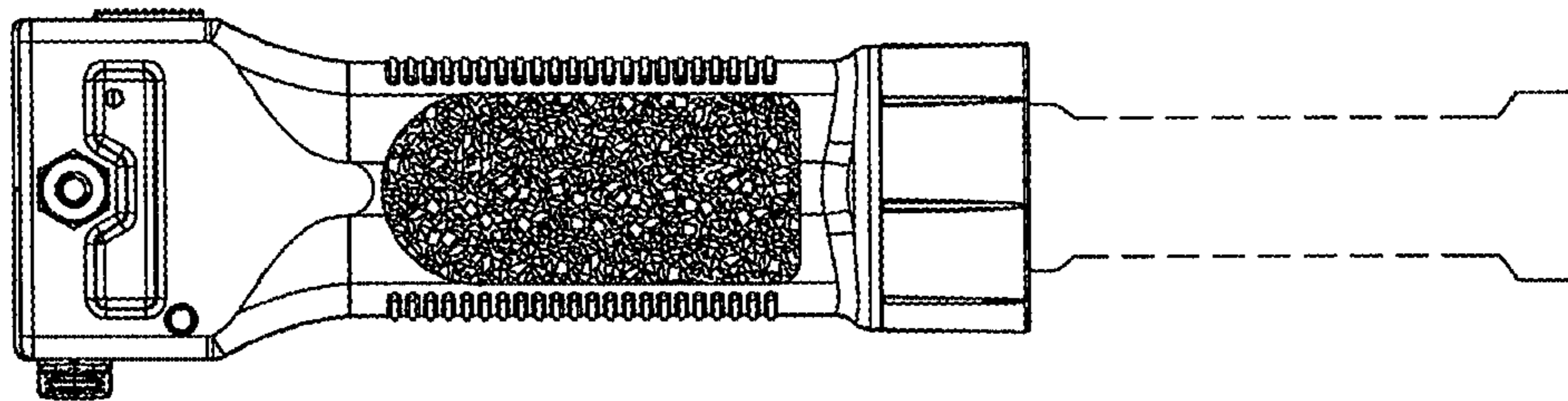


FIG. 30

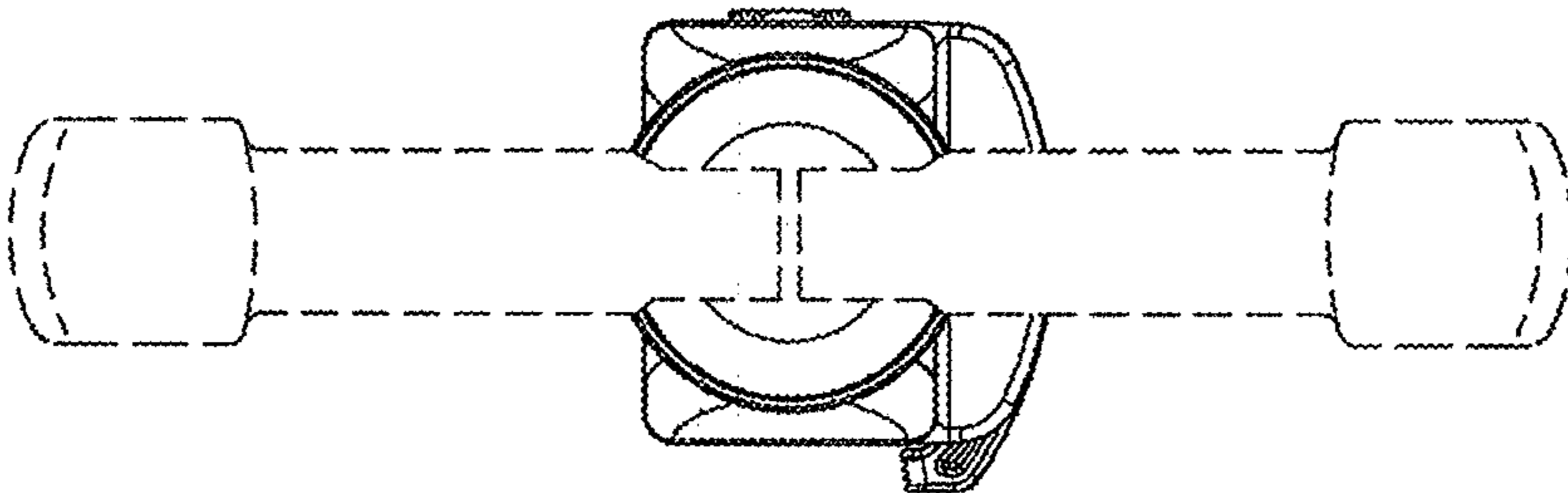


FIG. 29

