



US00D833563S

(12) **United States Design Patent** (10) **Patent No.:** **US D833,563 S**
Snively (45) **Date of Patent:** **** Nov. 13, 2018**

(54) **RIFLE CHASSIS LOCKING SET**

(74) *Attorney, Agent, or Firm* — Gary P Topolosky

(71) Applicant: **Adrien L. Snively**, Waynesboro, PA
(US)

(57) **CLAIM**

The ornamental design for a rifle chassis locking set, as shown and described.

(72) Inventor: **Adrien L. Snively**, Waynesboro, PA
(US)

DESCRIPTION

(**) Term: **15 Years**

(21) Appl. No.: **29/597,330**

(22) Filed: **Mar. 16, 2017**

Related U.S. Application Data

(63) Continuation-in-part of application No. 29/557,126,
filed on Mar. 6, 2016.

(51) **LOC (11) Cl.** **22-01**

(52) **U.S. Cl.**
USPC **D22/108**

(58) **Field of Classification Search**
USPC D22/108, 100, 101, 103, 105, 109, 110;
D21/572–575; 42/51, 71.01, 75.01,
(Continued)

FIG. 1 is an upper left perspective view of the lower component to the rifle chassis locking set of this invention showing my new design;

FIG. 2 is a left side view of the lower component from FIG. 1;

FIG. 3 is a right side view of the lower component, or opposite view from that shown in FIG. 2;

FIG. 4 is a front axial view of the lower component shown in FIG. 2;

FIG. 5 is a rear axial view of the lower component, or opposite view from that shown in FIG. 4;

FIG. 6 is a top plan view of the lower component from FIG. 2;

FIG. 7 is a bottom plan view of the lower component, or opposite view from that shown in FIG. 6;

FIG. 8 is an upper left perspective view of the upper component to the rifle chassis locking set of this invention;

FIG. 9 is a left side view of the upper component from FIG. 8;

FIG. 10 is a right side view of the upper component, or opposite view from that shown in FIG. 9;

FIG. 11 is a front axial view of the upper component shown in FIG. 9;

FIG. 12 is a rear axial view of the upper component, or opposite view from that shown in FIG. 11;

FIG. 13 is a top plan view of the upper component from FIG. 9;

FIG. 14 is a bottom plan view of the upper component, or opposite view from that shown in FIG. 13;

FIG. 15 is an upper left perspective view of the upper component atop the lower component, assembled together;

FIG. 16 is a left side view of the combined upper and lower components from FIG. 15;

FIG. 17 is a right side view of the combined upper and lower components, or opposite view from that shown in FIG. 16;

(Continued)

References Cited

U.S. PATENT DOCUMENTS

D600,771 S * 9/2009 Fitzpatrick D22/108

D603,011 S * 10/2009 Fitzpatrick D22/108

(Continued)

OTHER PUBLICATIONS

Battle Arms Development—Lightweight AR15 Billet Upper & Lower Receiver Set, RedBarnArmory.com, [online], [site visited Jan. 16, 2018]. <URL: <https://www.redbarnarmory.com/Battle-Arms-Development-Lightweight-AR15-Billet-p/bad-556-I> (Year: 2018).*

(Continued)

Primary Examiner — T Chase Nelson

Assistant Examiner — Jonathan J. Han

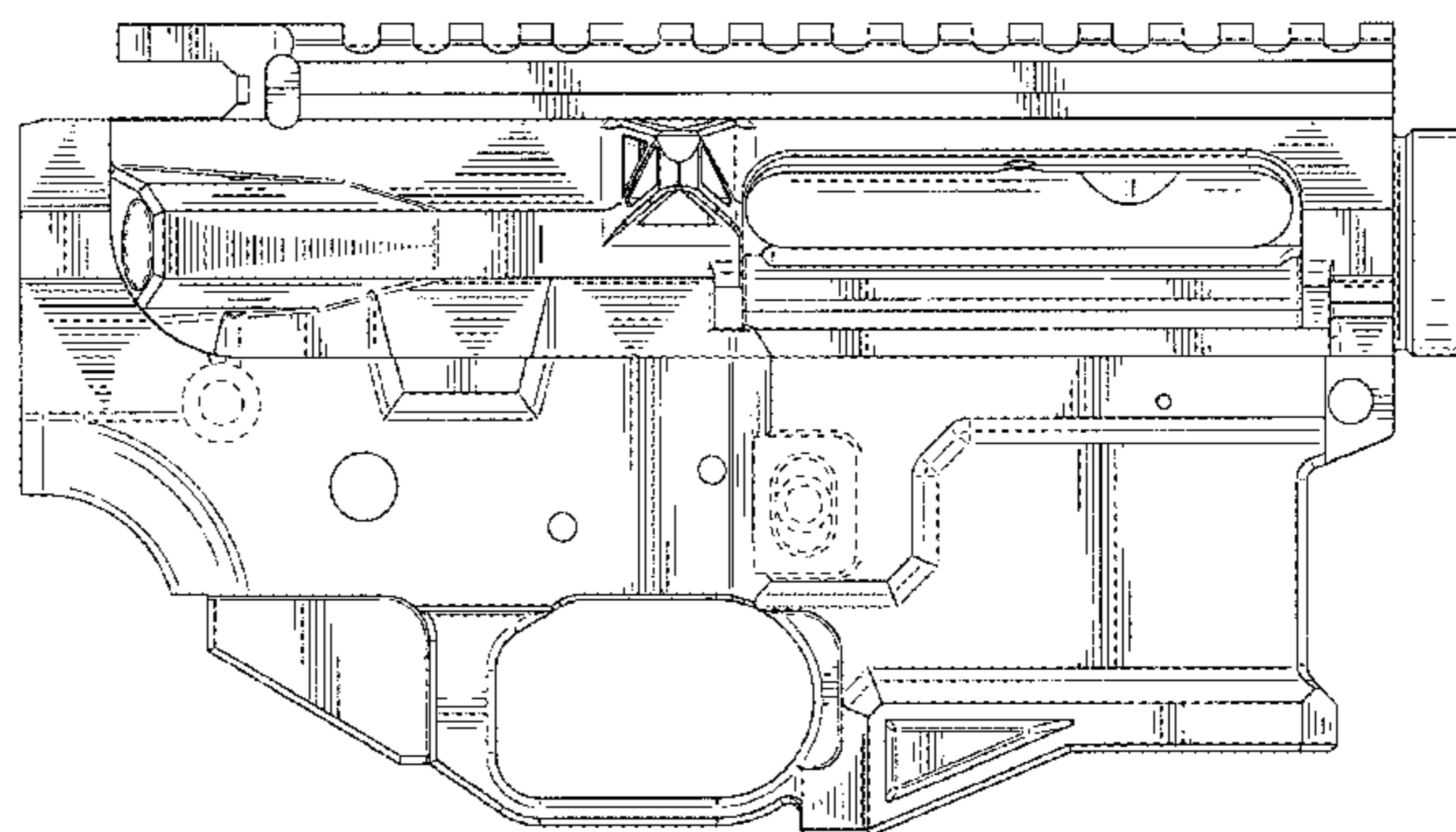
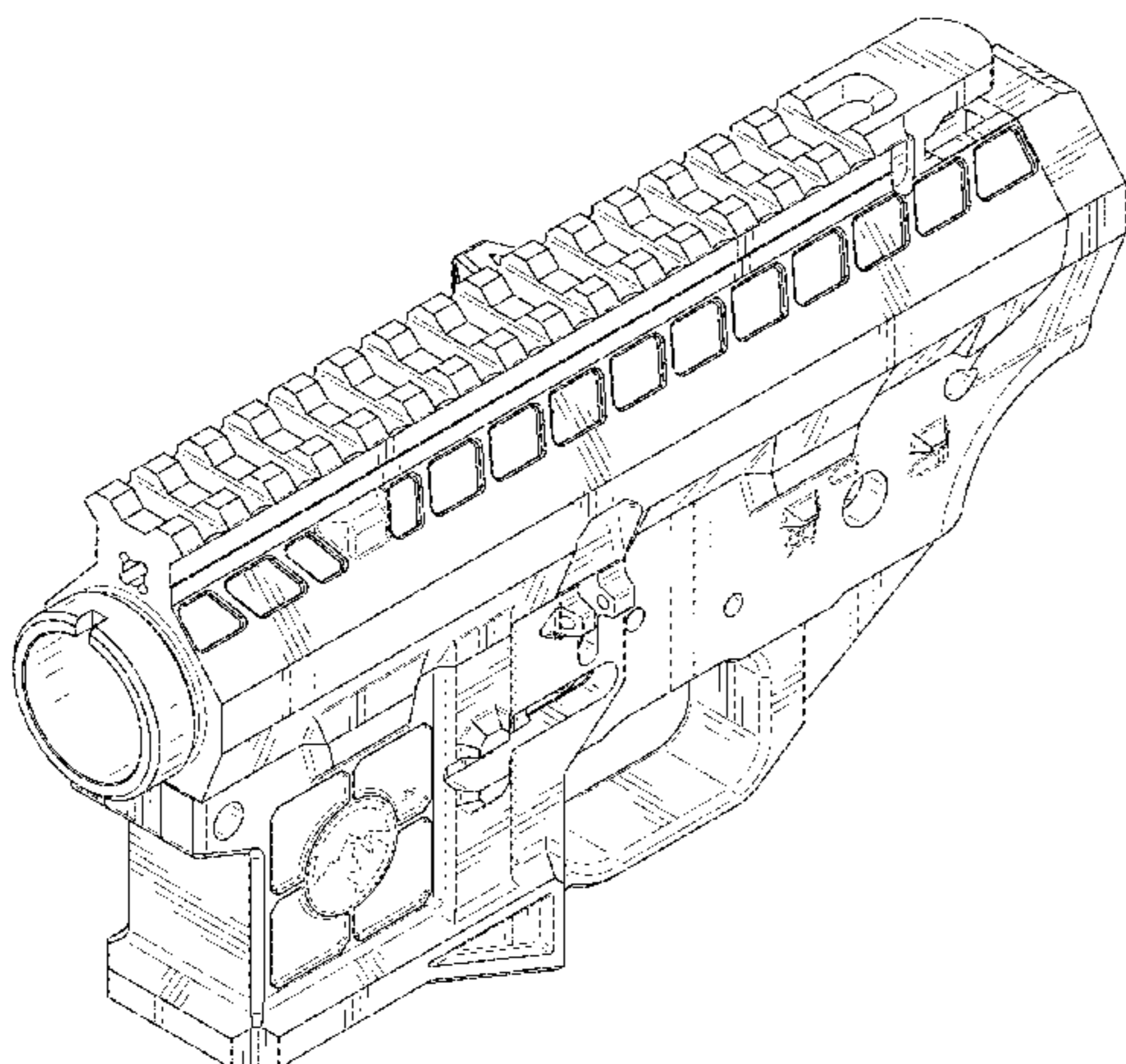


FIG. 18 is a front plan, axial view of the combined upper and lower components from FIG. 15;

FIG. 19 is a rear plan, axial view of the combined upper and lower components, or opposite view from that shown in FIG. 18;

FIG. 20 is a top plan view of the combined upper and lower components from FIG. 15; and,

FIG. 21 is a bottom plan view of the combined upper and lower components, or opposite view from that shown in FIG. 20.

The broken lines in the drawings are used to illustrate unclaimed parts of the invention and form no part of the claimed design.

1 Claim, 17 Drawing Sheets

(58) Field of Classification Search

USPC 42/75.02, 90, 94, 134, 136, 139, 125, 72, 42/111; 89/40.06, 41.19, 37.04, 33.04, 89/191.01, 200-204; 124/67, 66, 72, 74
CPC F41C 7/00; F41C 7/11; F41C 7/12; F41C 23/10; F41C 23/14; F41C 23/16; F41C 23/18; F41C 23/00; F41C 27/00; F41C 27/06; F41A 5/18; F41A 5/24; F41A 21/28

See application file for complete search history.

(56) References Cited

U.S. PATENT DOCUMENTS

D631,933	S *	2/2011	Thompson	D22/108
D636,832	S *	4/2011	Mayberry	D22/108
8,381,628	B1 *	2/2013	Wheatley	F41A 35/06 42/43
8,689,478	B2 *	4/2014	Patel	F41A 3/66 42/75.02
D708,693	S *	7/2014	Faxon	D22/108
D713,483	S *	9/2014	Firpo, I	D22/108
D713,485	S *	9/2014	Firpo, I	D22/108
D717,904	S *	11/2014	Oglesby	D22/108
D720,032	S *	12/2014	Boutin	D22/108
8,910,406	B1 *	12/2014	Huang	F41A 3/66 42/16
8,925,233	B2 *	1/2015	Thordsen	F41A 17/38 42/50
8,978,282	B2 *	3/2015	Garrett	F41A 35/06 42/6
8,984,794	B1 *	3/2015	Saur	F41C 27/00 42/108
9,151,555	B1 *	10/2015	Huang	F16B 15/02
D745,621	S *	12/2015	Huang	D22/108
9,217,618	B1 *	12/2015	Miller, III	F41A 19/11
D752,170	S *	3/2016	Koutn	D22/108
9,303,949	B1 *	4/2016	Oglesby	F41A 3/66
D755,338	S *	5/2016	Slank	D22/108
D760,860	S *	7/2016	Vincent	D22/108

9,523,557	B2 *	12/2016	Sharron	F41G 11/003
9,523,558	B2 *	12/2016	Visinski	F41C 27/00
9,528,793	B1 *	12/2016	Oglesby	F41C 23/16
9,574,852	B1 *	2/2017	McKillips	F41G 11/003
D787,005	S *	5/2017	Capps	D22/108
D795,379	S *	8/2017	Frederickson	D22/108
9,797,666	B2 *	10/2017	Schuetz	F41A 11/02
2005/0183317	A1 *	8/2005	Finn	F41A 19/11 42/72
2011/0214327	A1 *	9/2011	Desomma	F41A 3/66 42/75.02
2011/0247483	A1 *	10/2011	Overstreet	F41A 9/70 89/138
2011/0271827	A1 *	11/2011	Larson	F41A 5/28 89/193
2012/0137562	A1 *	6/2012	Langevin	F41C 23/04 42/75.03
2012/0174451	A1 *	7/2012	Overstreet	F41A 3/12 42/16
2014/0000142	A1 *	1/2014	Patel	F41C 23/16 42/14
2014/0075804	A1 *	3/2014	Langevin	F41C 23/16 42/16
2014/0224114	A1 *	8/2014	Faxon	F41A 15/14 89/193
2014/0352191	A1 *	12/2014	Fritz	F41A 5/18 42/75.03
2015/0040455	A1 *	2/2015	Lewis	F41A 3/26 42/75.02
2015/0226501	A1 *	8/2015	Gibbens	F41A 3/66 42/16
2015/0345879	A1 *	12/2015	Jen	F41A 3/66 42/75.01
2015/0362270	A1 *	12/2015	Stewart	F41A 3/72 42/16
2015/0369558	A1 *	12/2015	Gottzmann	F41C 23/16 42/71.01
2016/0018181	A1 *	1/2016	Swadener	F41A 35/06 42/90
2016/0084599	A1 *	3/2016	Alicea, Jr.	F41A 17/46 42/70.06
2016/0084601	A1 *	3/2016	Alicea, Jr.	F41A 17/20 42/6
2016/0178297	A1 *	6/2016	Sharps	F41A 3/66 42/14
2017/0160032	A1 *	6/2017	Overstreet	F41A 17/36

OTHER PUBLICATIONS

ATX Armory “JAK-10” AR10 Receiver Set, RainierArms.com, [online], [site visited Jan. 16, 2018]. <URL: <https://www.rainierarms.com/atx-armory-jak-10-ar10-receiver-set/>> (Year: 2018).*

2055 LR Enlightened AR-15 Receiver Set, VsevenWeaponSystems.com, [online], [site visited Jan. 16, 2018]. <URL: <https://www.vsevenweaponsystems.com/products/enlightened-2055-ar-15-receiver-set/>> (Year: 2018).*

Next Level Armament Elite receiver set 1, AR15News.com, Feb. 9, 2016, [online], [site visited Jan. 16, 2018]. <URL: <http://www.ar15news.com/next-level-armament-elite-receiver-set-1/>> (Year: 2016).*

* cited by examiner

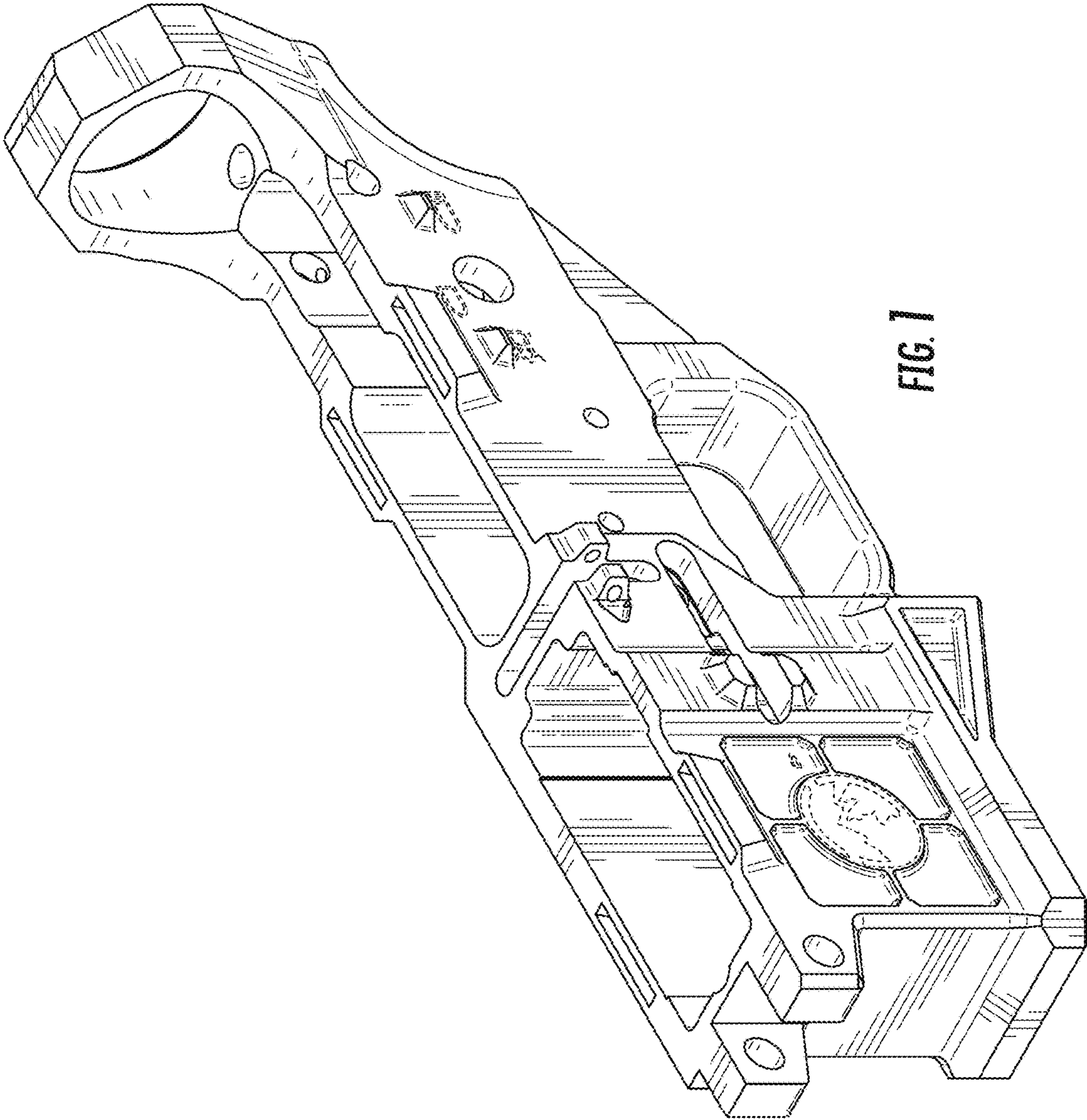


FIG. 1

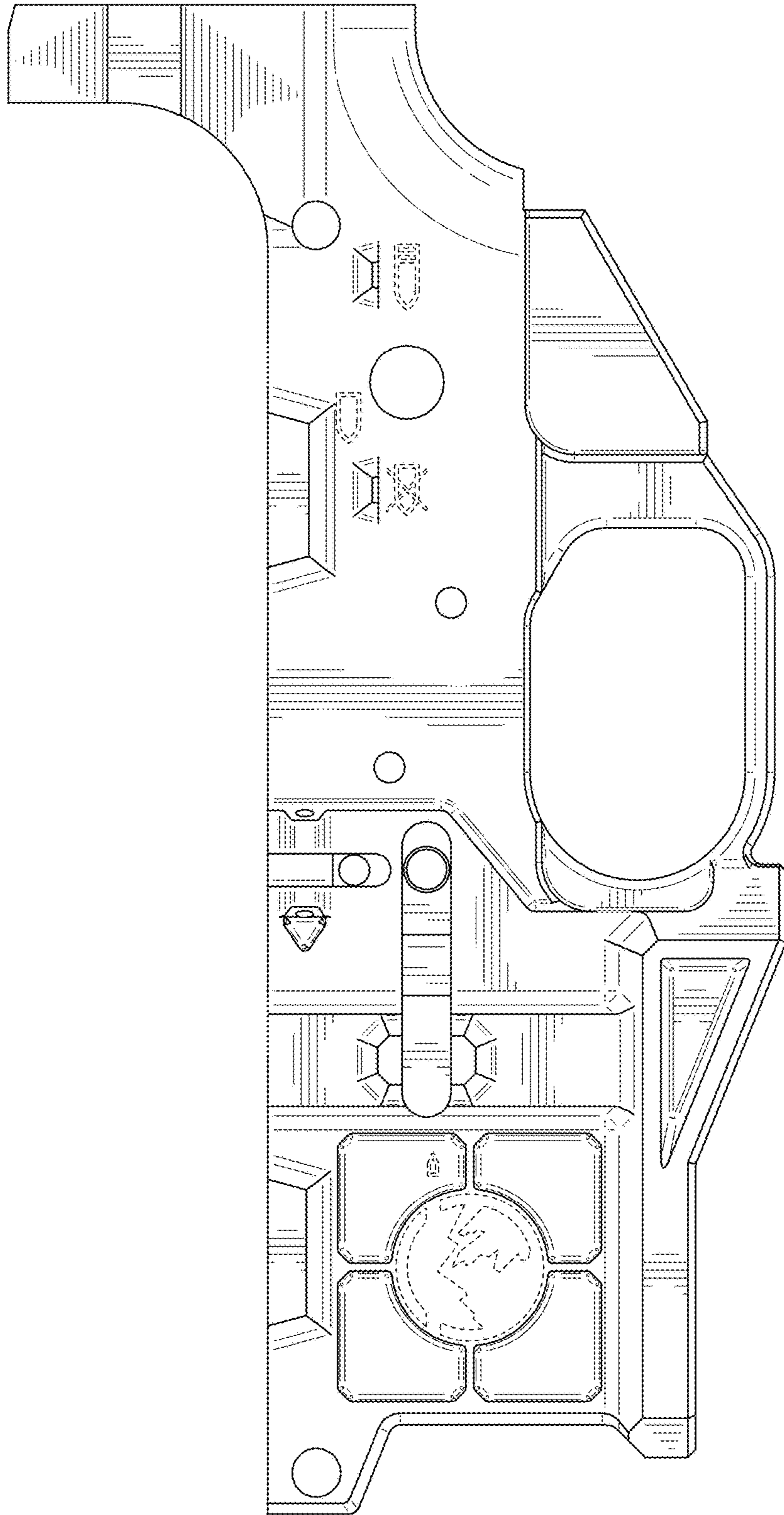


FIG. 2

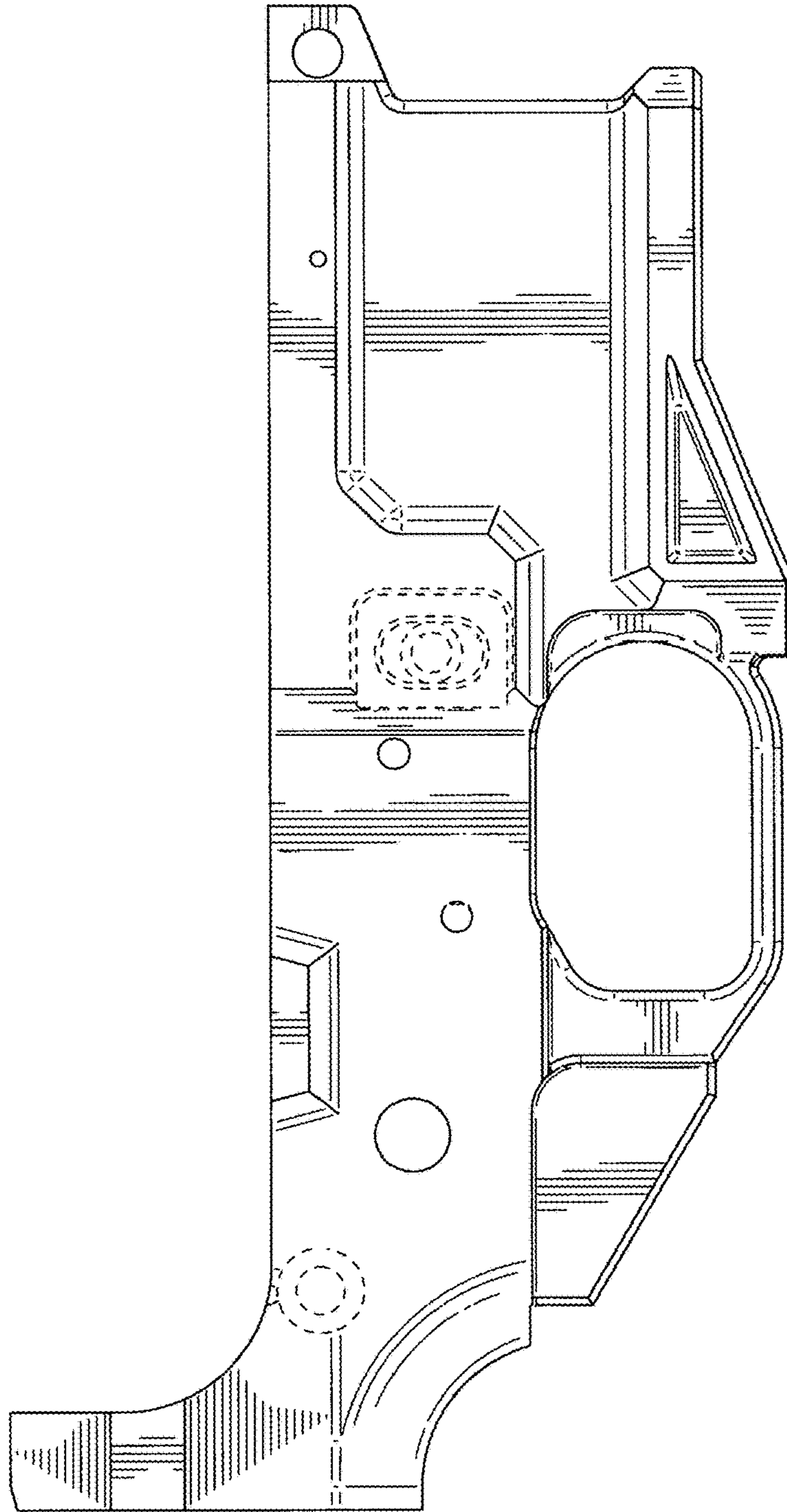


FIG. 3

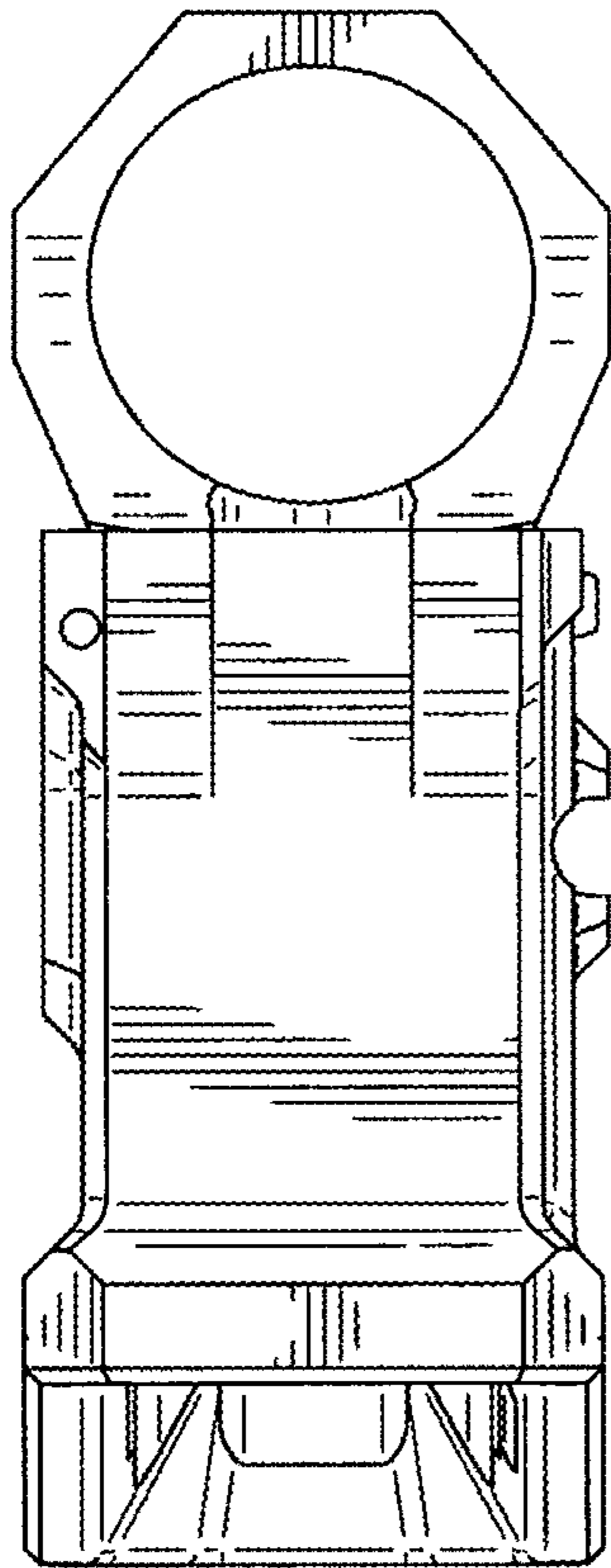


FIG. 4

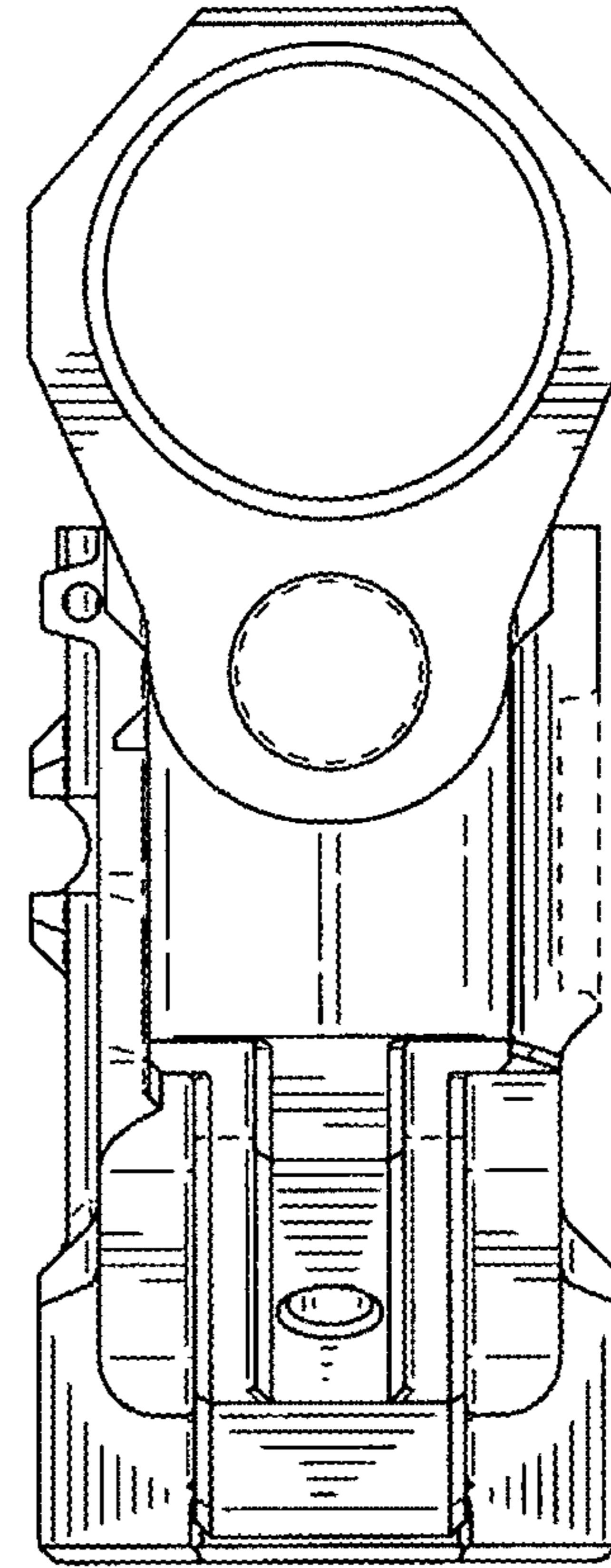


FIG. 5

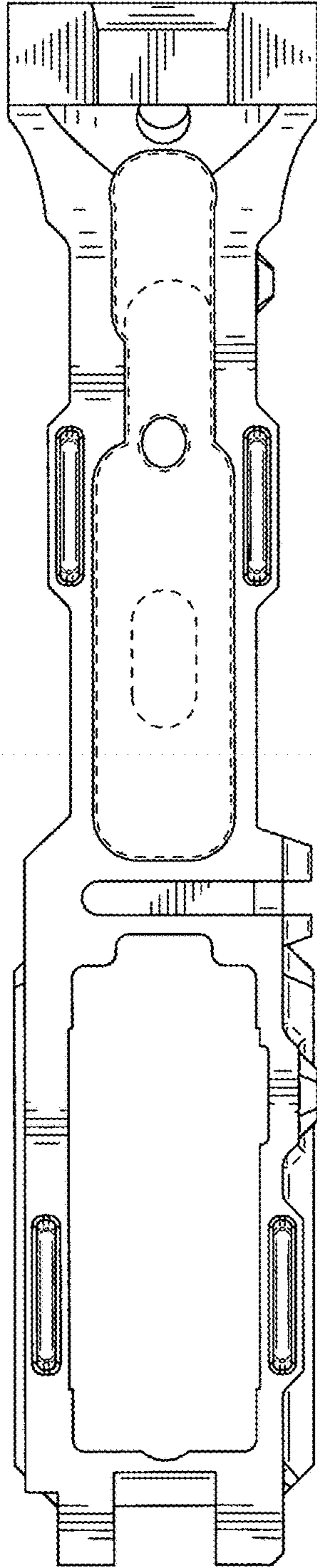


FIG. 6

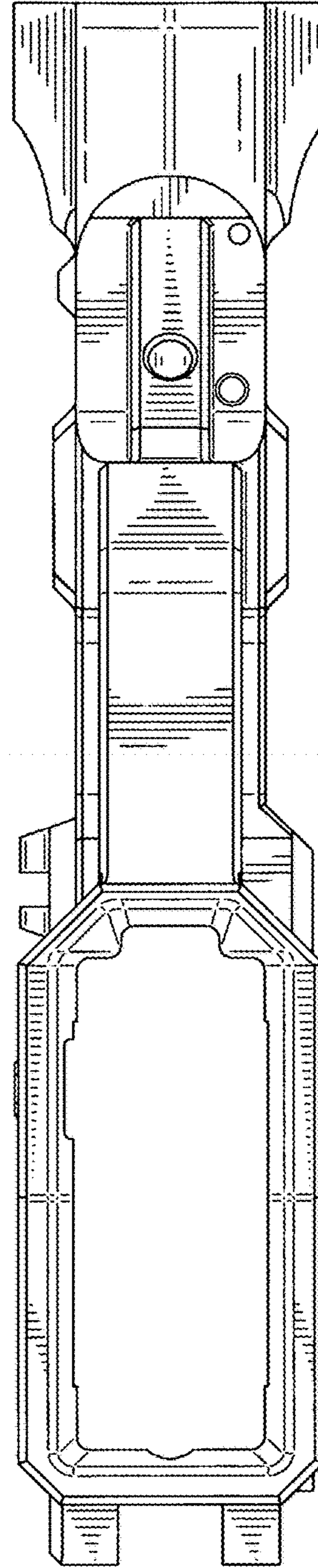


FIG. 7

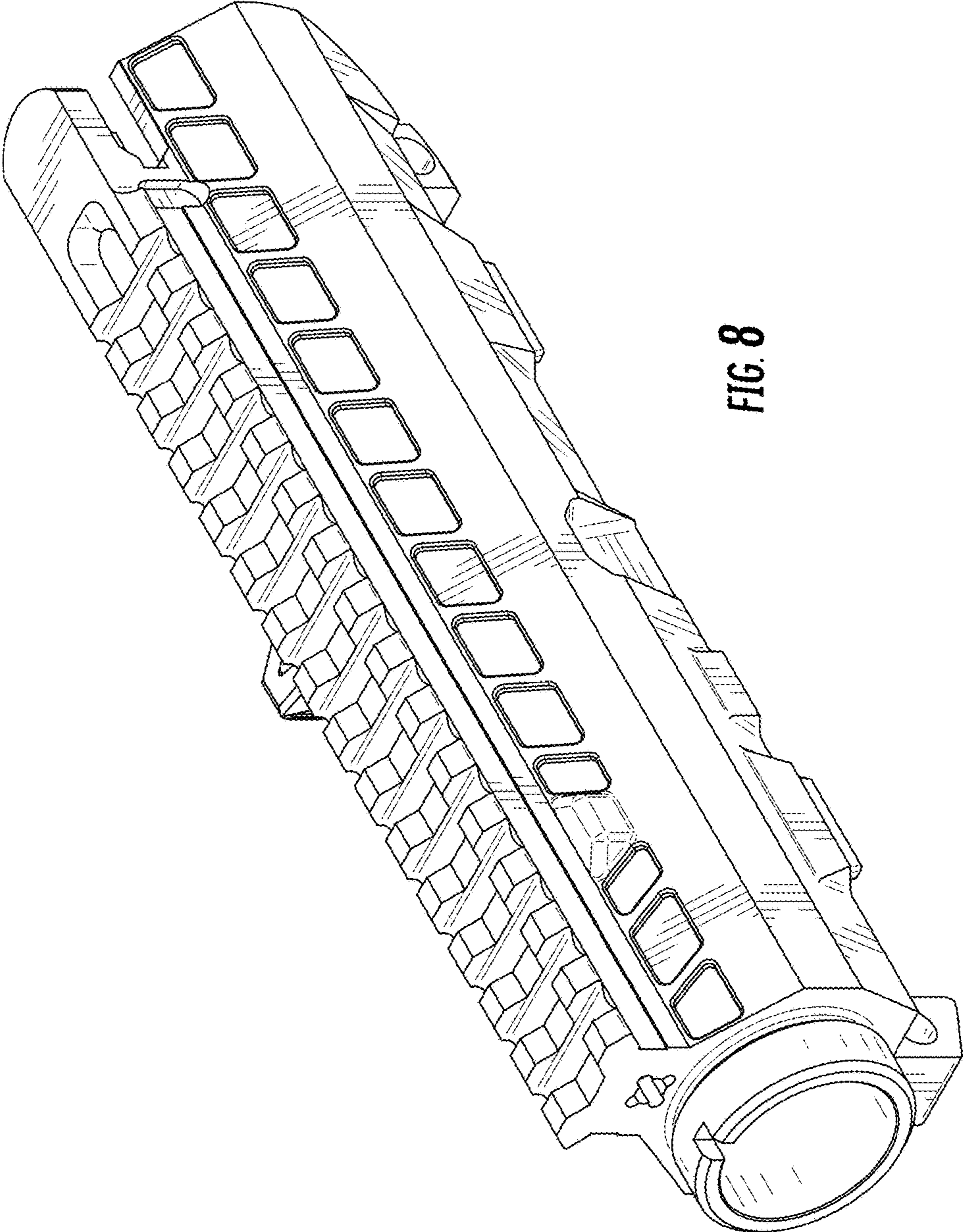


FIG. 8

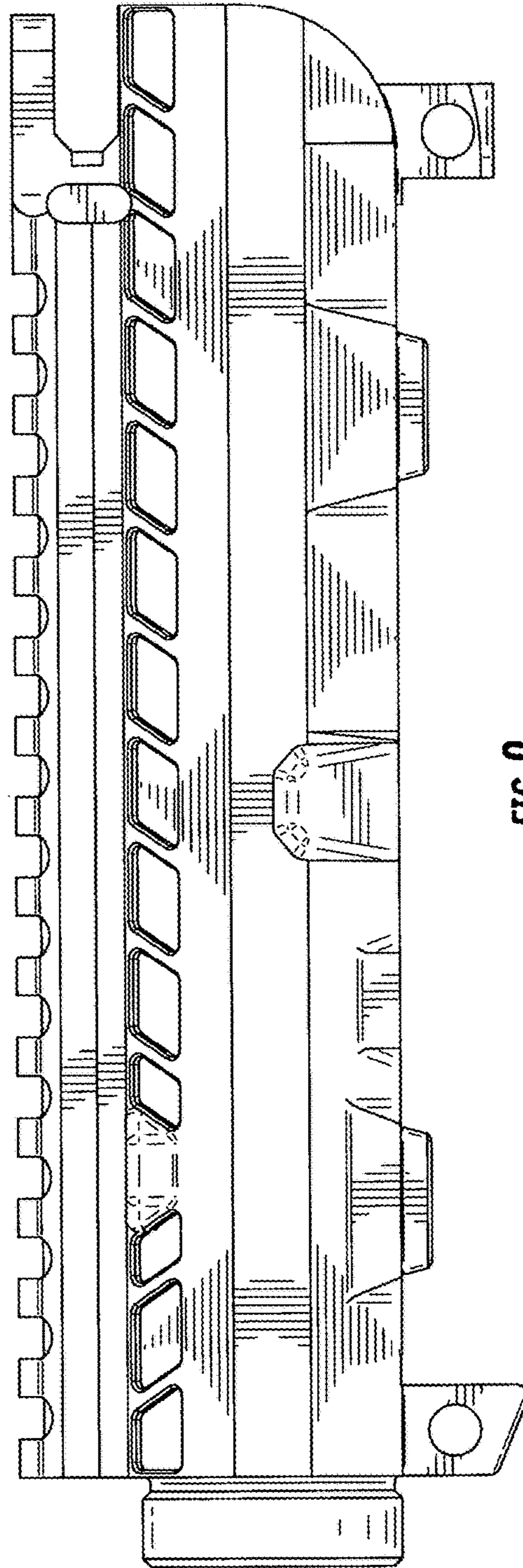


FIG. 9

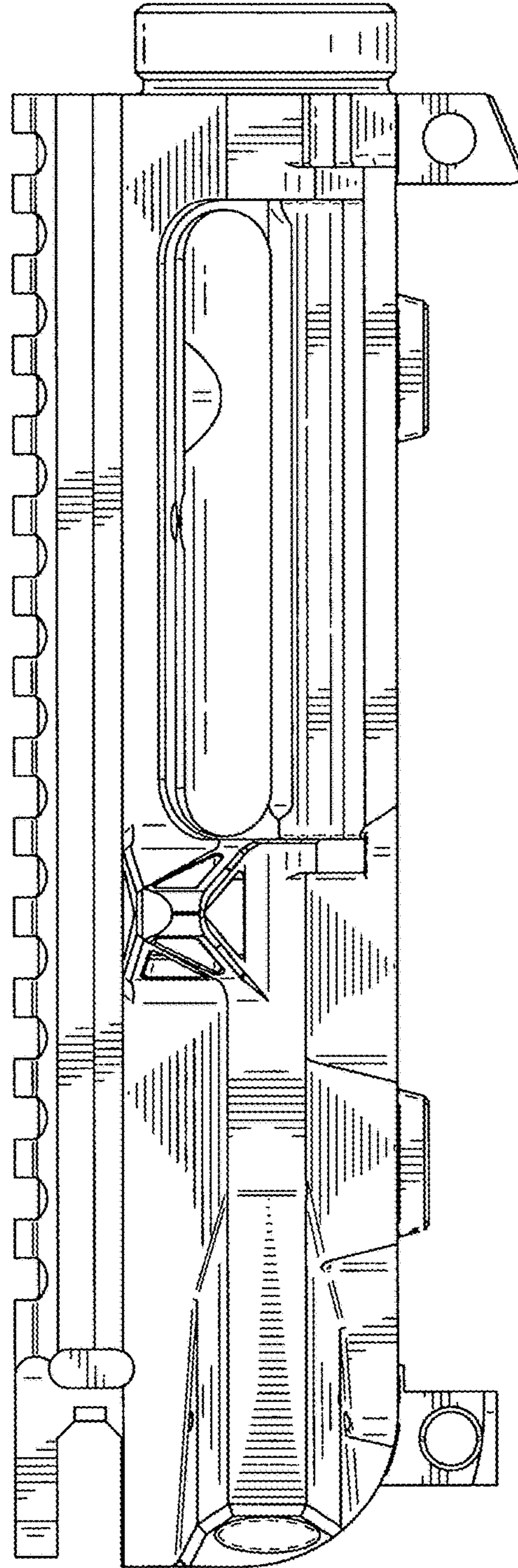


FIG. 10

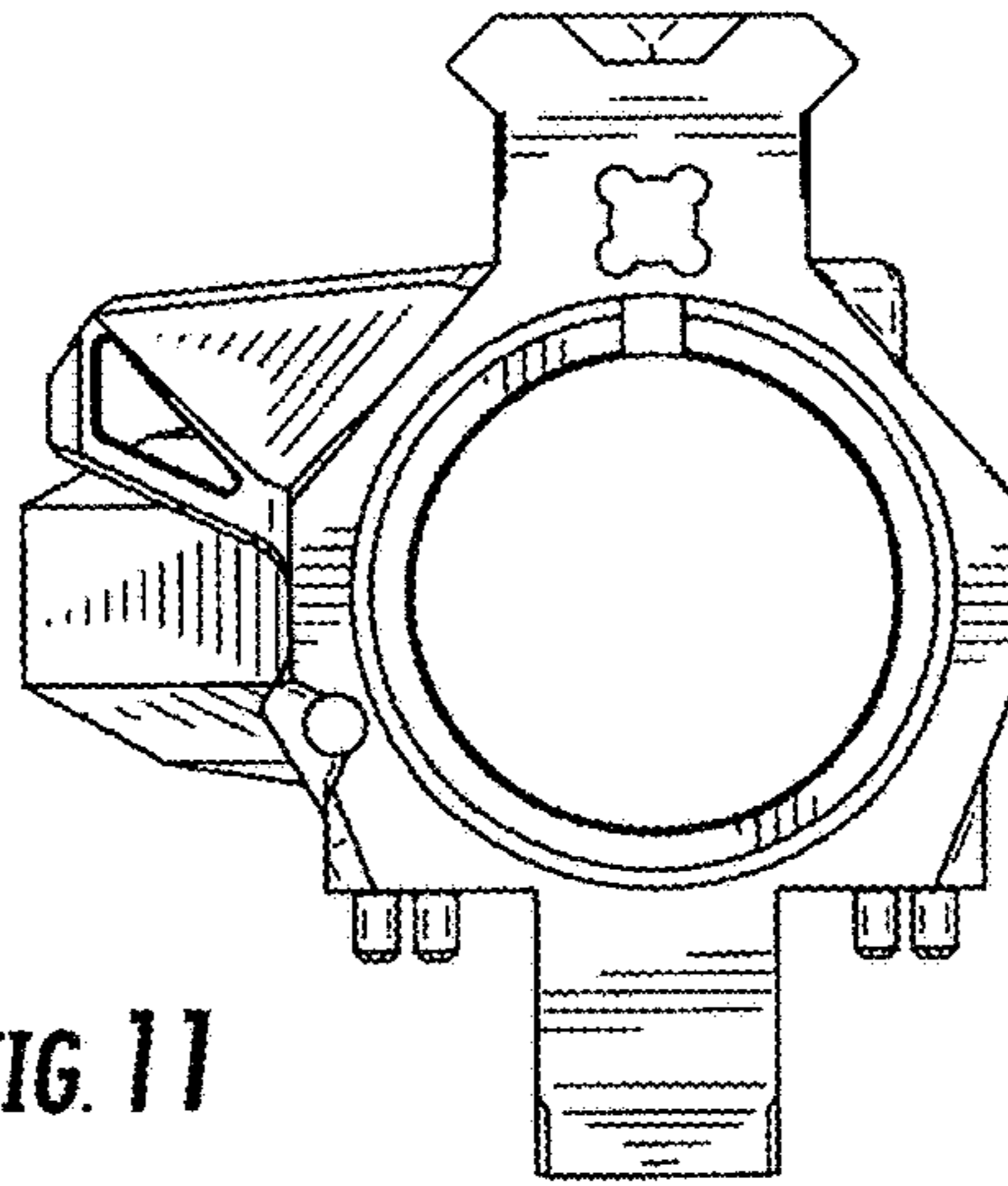


FIG. 11

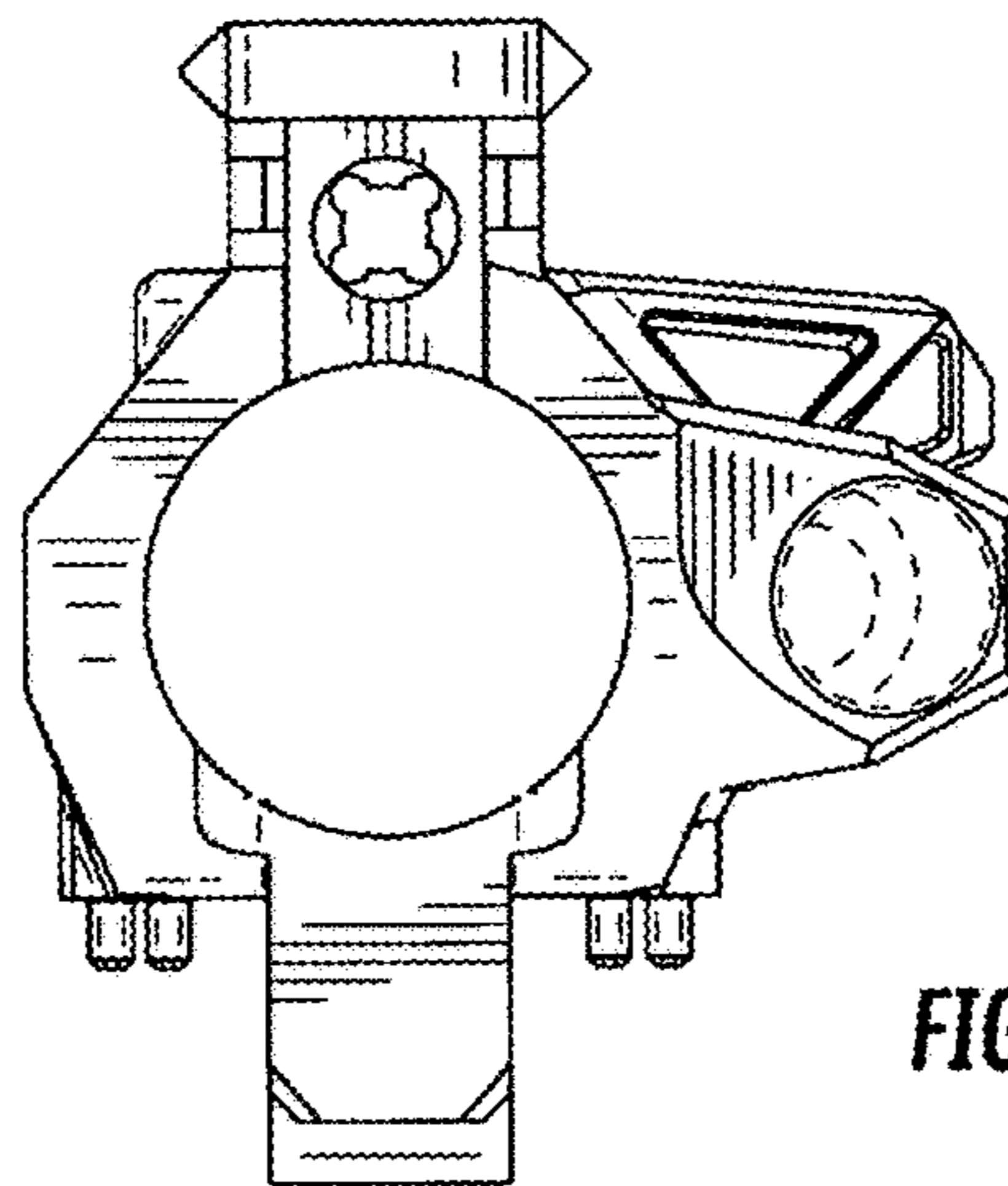


FIG. 12

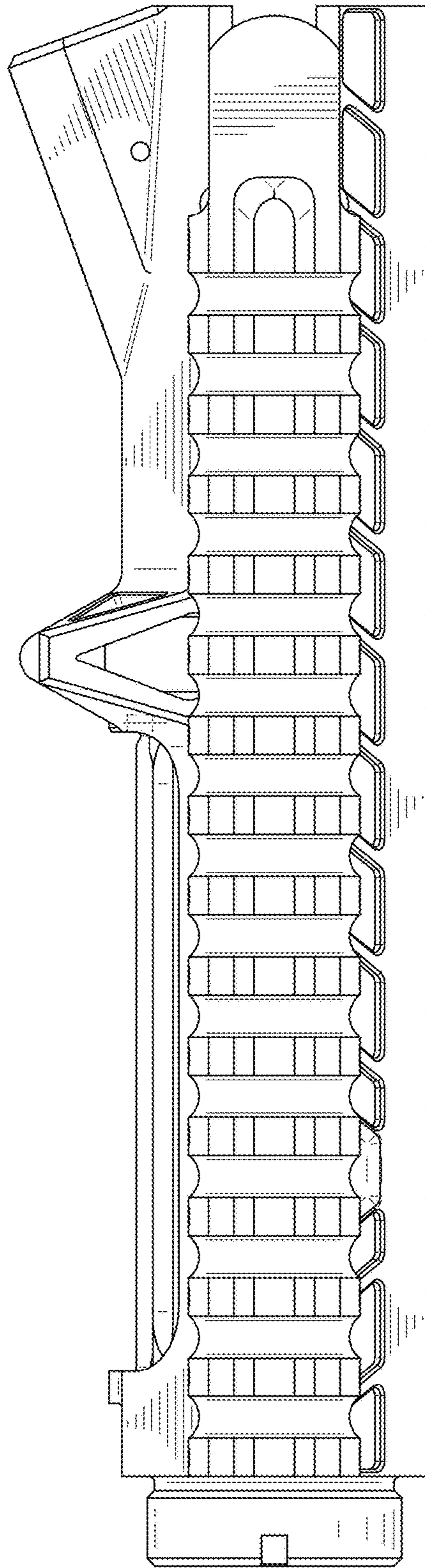


FIG. 13

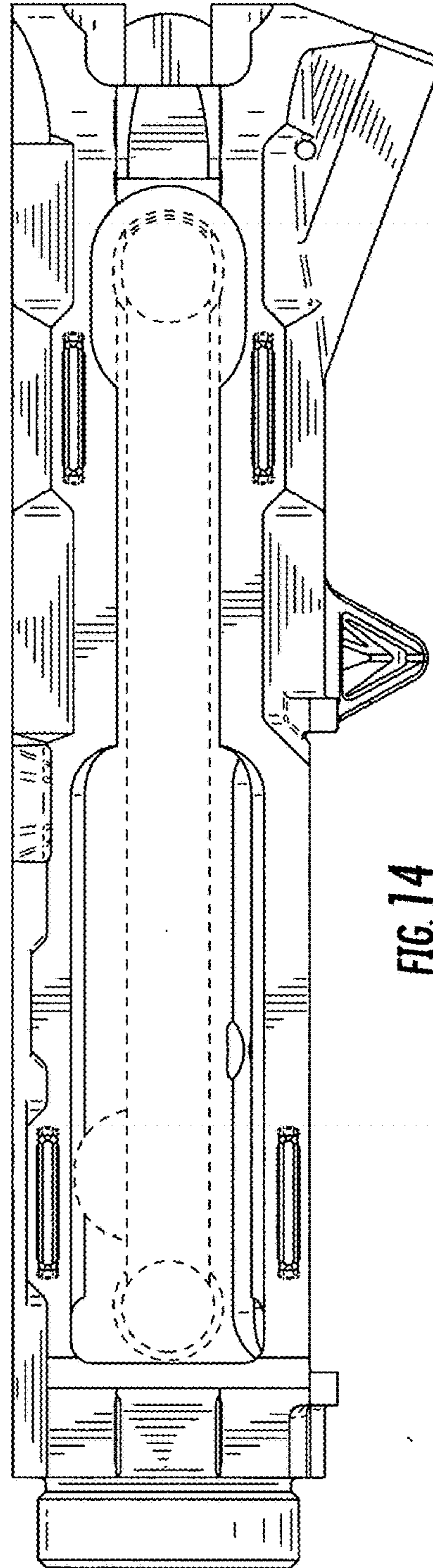


FIG. 14

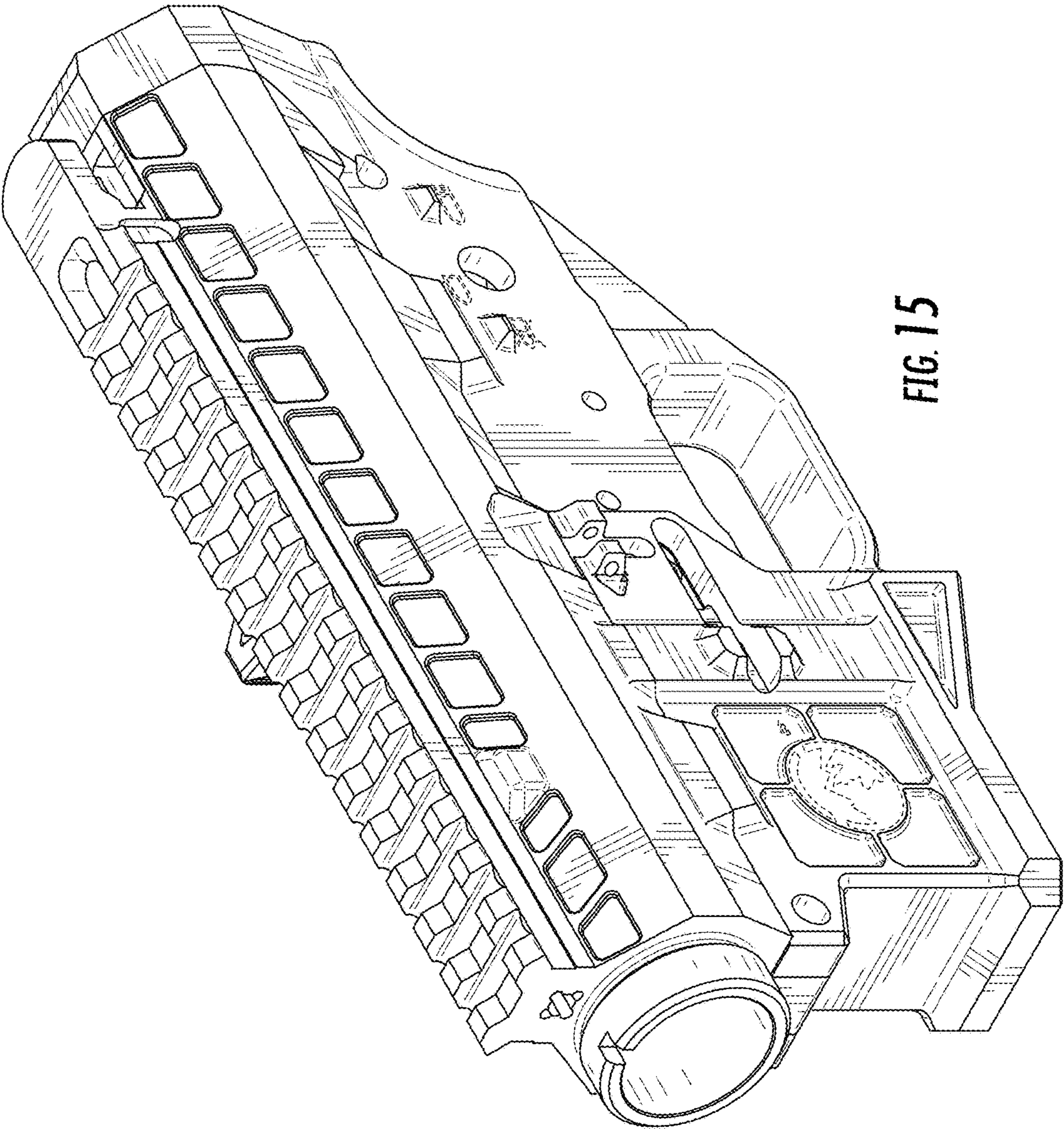
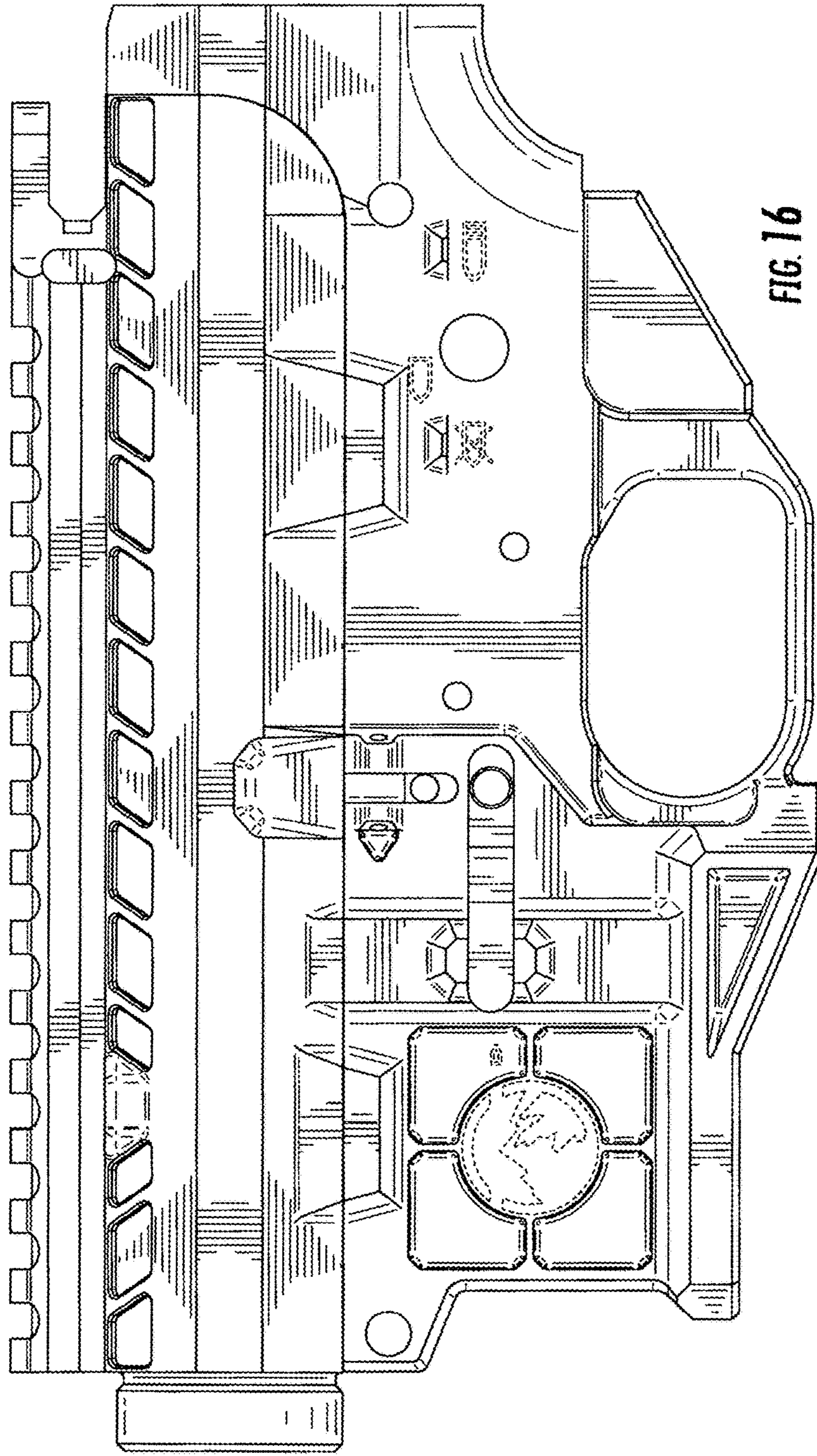


FIG. 15



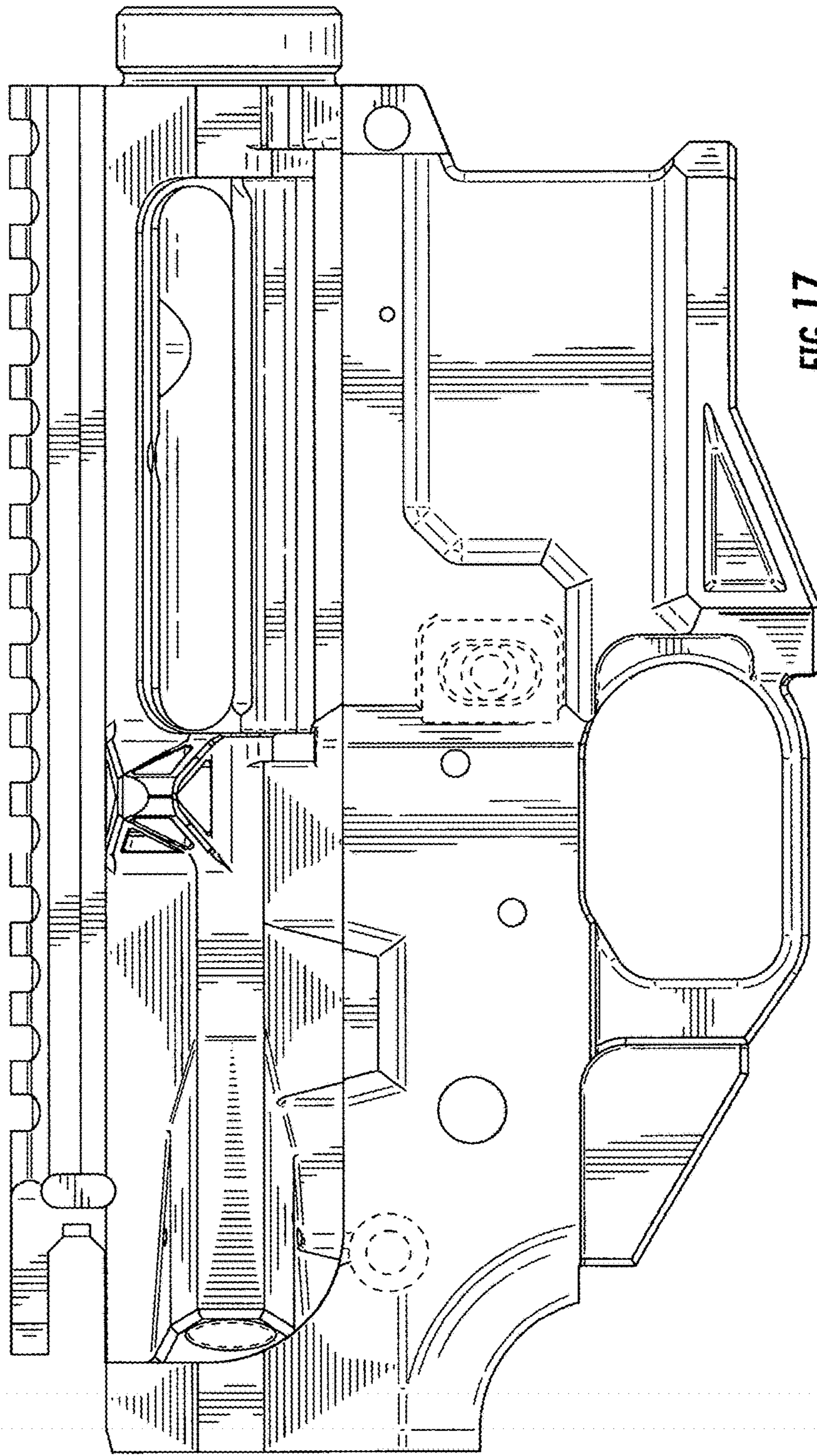


FIG. 17

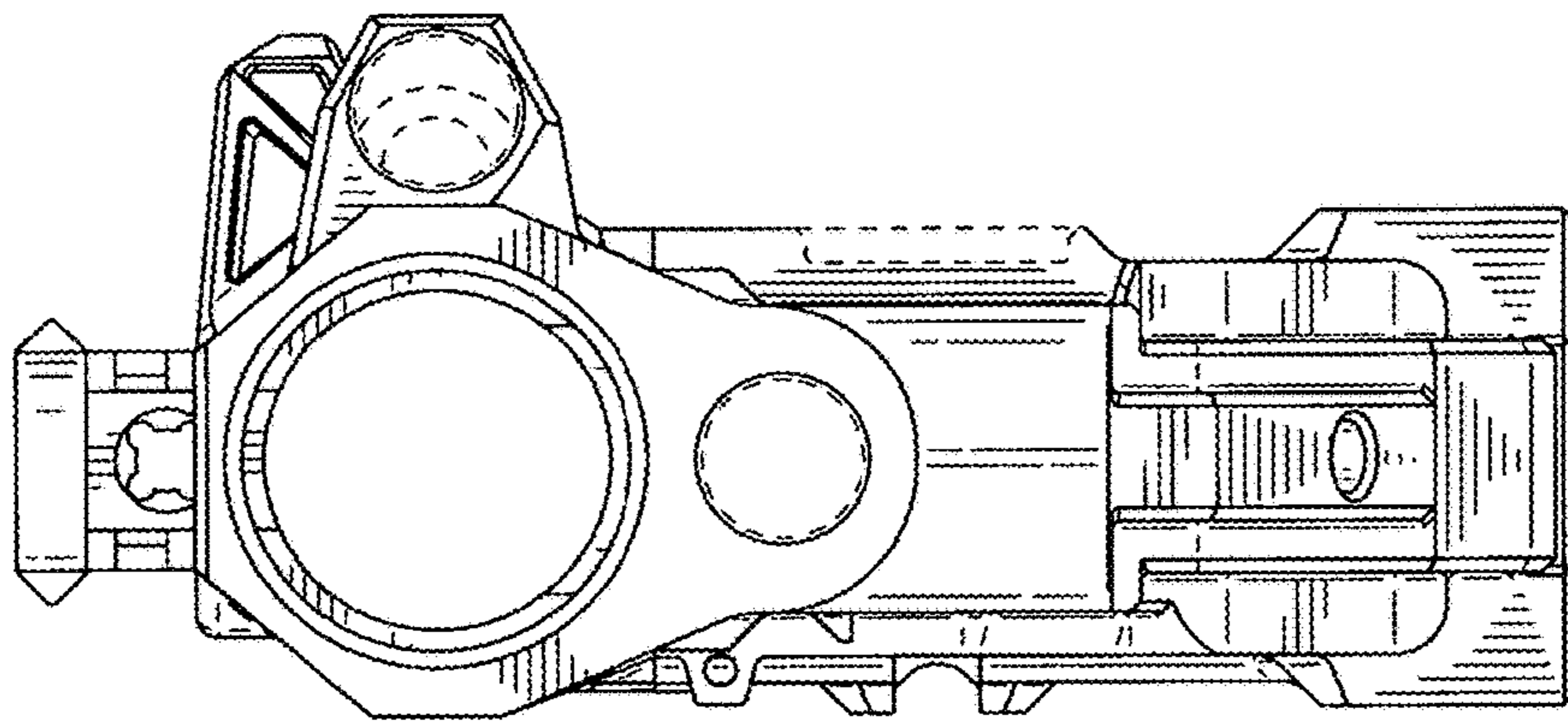


FIG. 19

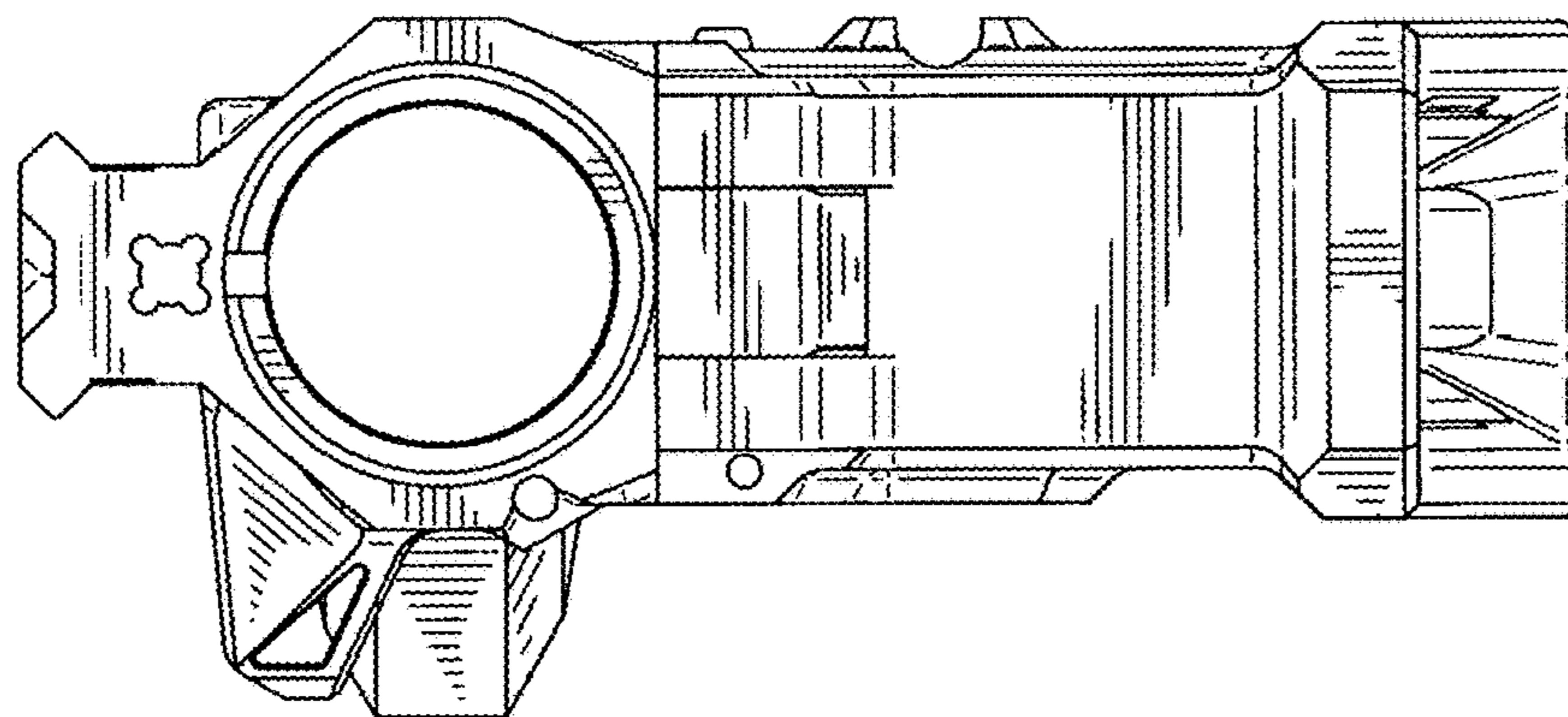


FIG. 18

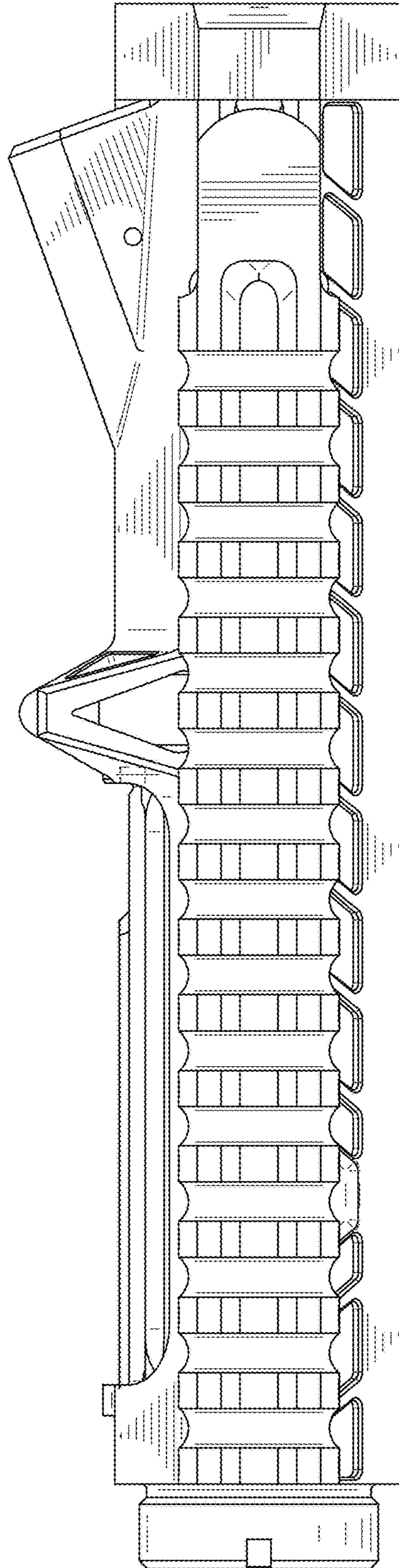


FIG. 20

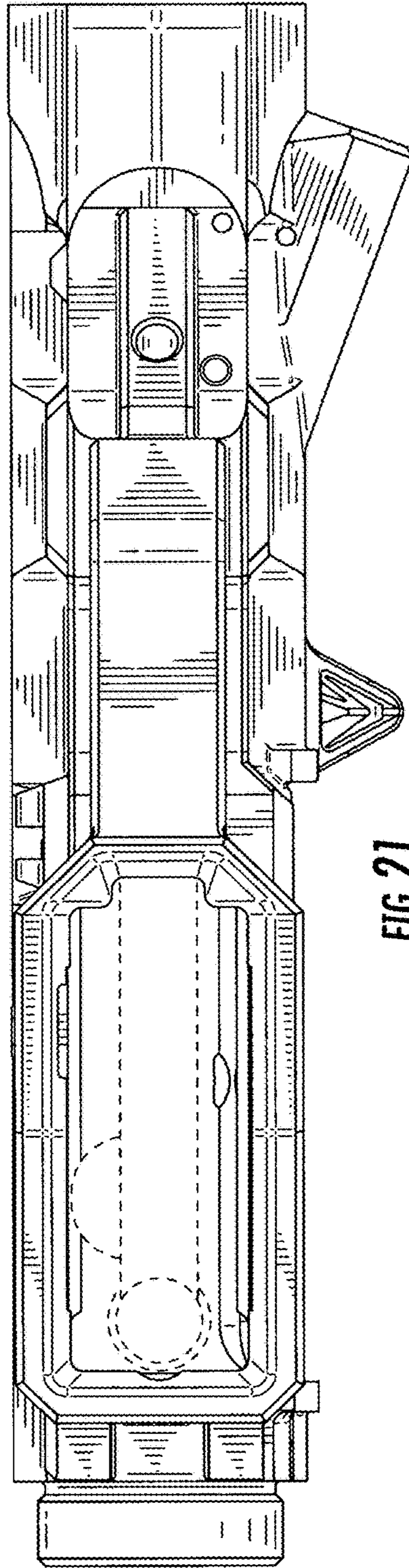


FIG. 21

