



US00D833562S

(12) **United States Design Patent**
Geissele

(10) **Patent No.:** **US D833,562 S**

(45) **Date of Patent:** **** Nov. 13, 2018**

- (54) **TRIGGER MECHANISM**
- (71) Applicant: **WHG Properties, LLC**, North Wales, PA (US)
- (72) Inventor: **William H. Geissele**, Lower Gwynedd, PA (US)
- (73) Assignee: **WHG Properties, LLC**, North Wales, PA (US)
- (**) Term: **15 Years**
- (21) Appl. No.: **29/591,657**
- (22) Filed: **Jan. 23, 2017**

- 5,760,328 A * 6/1998 Robbins F41A 19/02
89/129.02
 - 6,131,324 A * 10/2000 Jewell F41A 19/16
42/69.03
 - 6,772,548 B1 * 8/2004 Power F41A 19/10
42/69.03
 - 7,421,937 B1 * 9/2008 Gangl F41A 17/46
42/69.03
 - 8,667,881 B1 3/2014 Hawbaker
 - 9,146,066 B1 * 9/2015 Cason F41A 19/09
 - 9,146,067 B2 * 9/2015 Stakes F41A 19/14
- (Continued)

Related U.S. Application Data

- (60) Division of application No. 29/532,510, filed on Jul. 7, 2015, now Pat. No. Des. 781,984, which is a continuation-in-part of application No. 14/696,263, filed on Apr. 24, 2015, now Pat. No. 9,310,150.
- (51) **LOC (11) Cl.** **22-01**
- (52) **U.S. Cl.**
USPC **D22/108**
- (58) **Field of Classification Search**
USPC D22/108; D21/572; D8/68
CPC F41A 19/10; F41A 17/46; F41A 35/00;
F41A 19/09; F41A 19/11; F41A 19/21;
F41C 27/00
See application file for complete search history.

References Cited

U.S. PATENT DOCUMENTS

- 3,045,555 A 7/1962 Stoner
- 3,292,492 A * 12/1966 Sturtevant F41A 19/02
89/128
- 5,251,533 A * 10/1993 Layton F41A 19/33
89/129.02

OTHER PUBLICATIONS

M16 4-Way Selector Install at DitR.:/f.IN!t!~"LrnJ:'\gggn pp. 1-3 (Feb. 25, 2012).

Primary Examiner — Michael A. Pratt

(74) *Attorney, Agent, or Firm* — Fox Rothschild LLP

(57) **CLAIM**

The ornamental design for a trigger mechanism, as shown and described.

DESCRIPTION

FIG. 1 is a right side view of a trigger mechanism according to the present disclosure.

FIG. 2 is a perspective view of the trigger mechanism of FIG. 1.

FIG. 3 is another right side view of the trigger mechanism of FIG. 1.

FIG. 4 is a left side view of the trigger mechanism of FIG. 1.

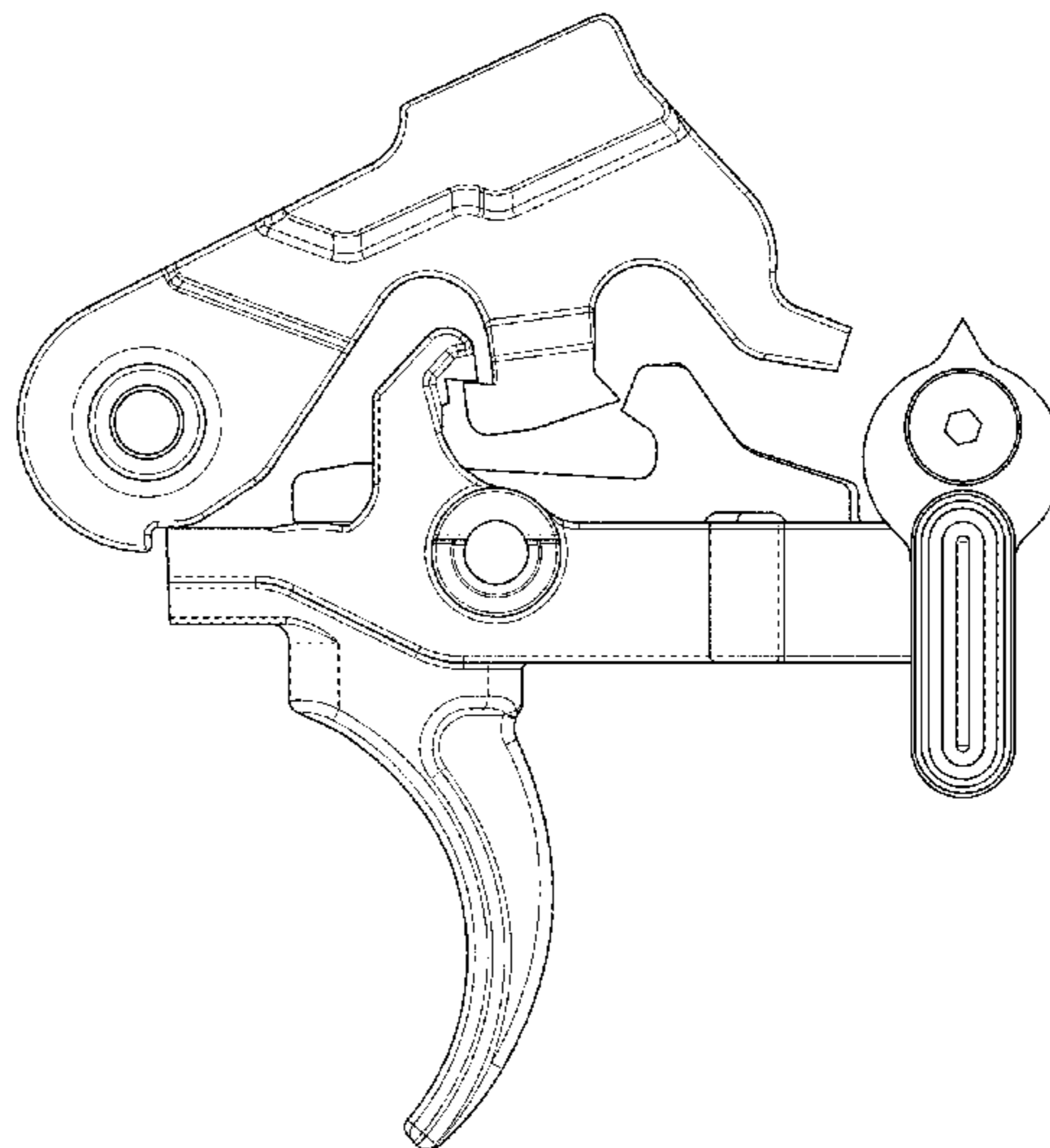
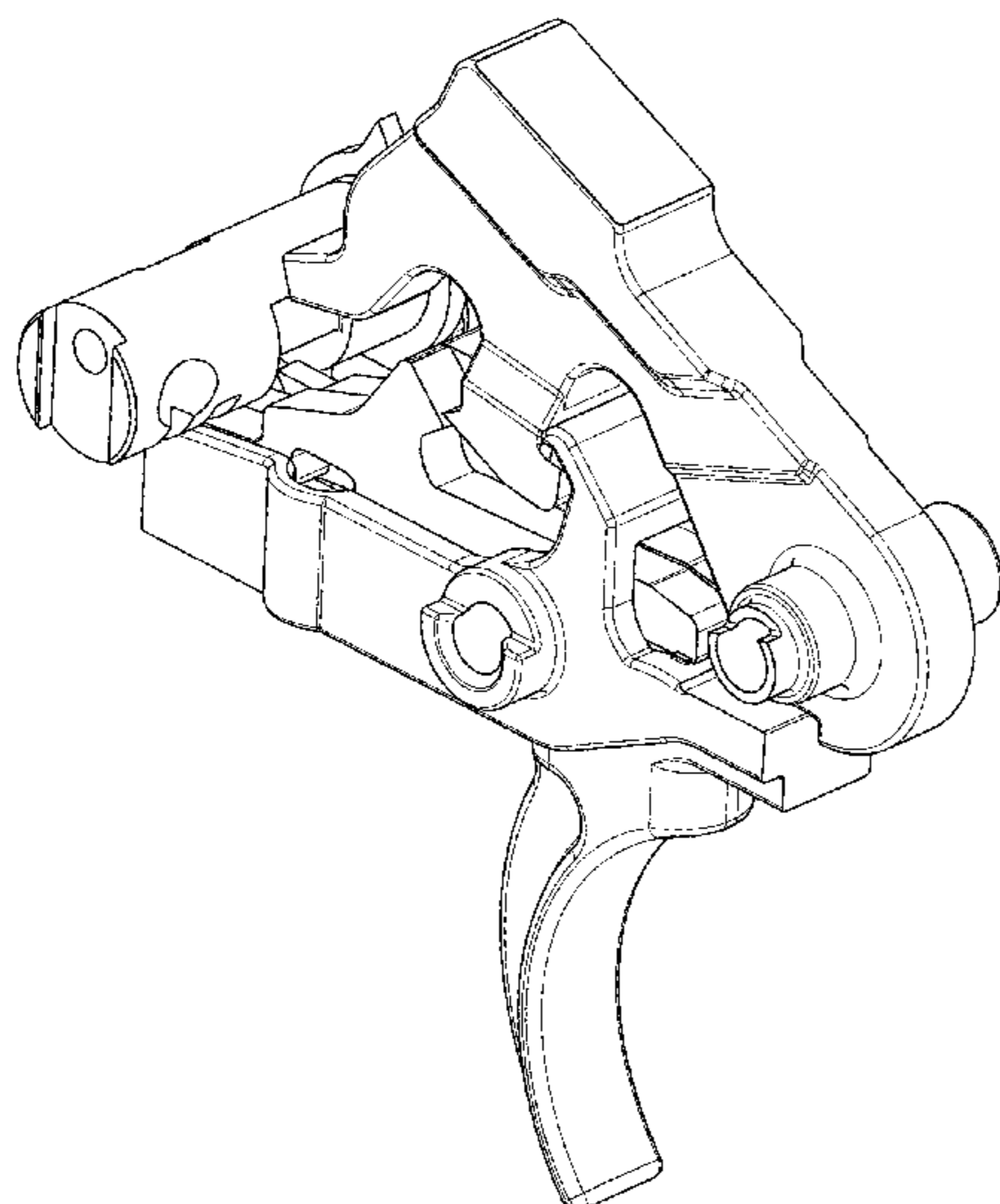
FIG. 5 is a rear view of the trigger mechanism of FIG. 1.

FIG. 6 is a front view of the trigger mechanism of FIG. 1.

FIG. 7 is a top view of the trigger mechanism of FIG. 1; and, FIG. 8 is a bottom view of the trigger mechanism of FIG. 1.

The broken lines in the figures are for illustrative purposes only and form no part of the claimed design.

1 Claim, 6 Drawing Sheets



(56)

References Cited

U.S. PATENT DOCUMENTS

9,267,751	B2 *	2/2016	Ruiz	F41A 19/12
9,310,150	B1 *	4/2016	Geissele	F41A 19/16
2009/0151213	A1 *	6/2009	Bell	F41A 19/15 42/69.03
2009/0188145	A1 *	7/2009	Fluhr	F41A 19/16 42/69.01
2011/0167697	A1 *	7/2011	Geissele	F41A 19/16 42/69.03
2016/0131449	A1	5/2016	Horch	

* cited by examiner

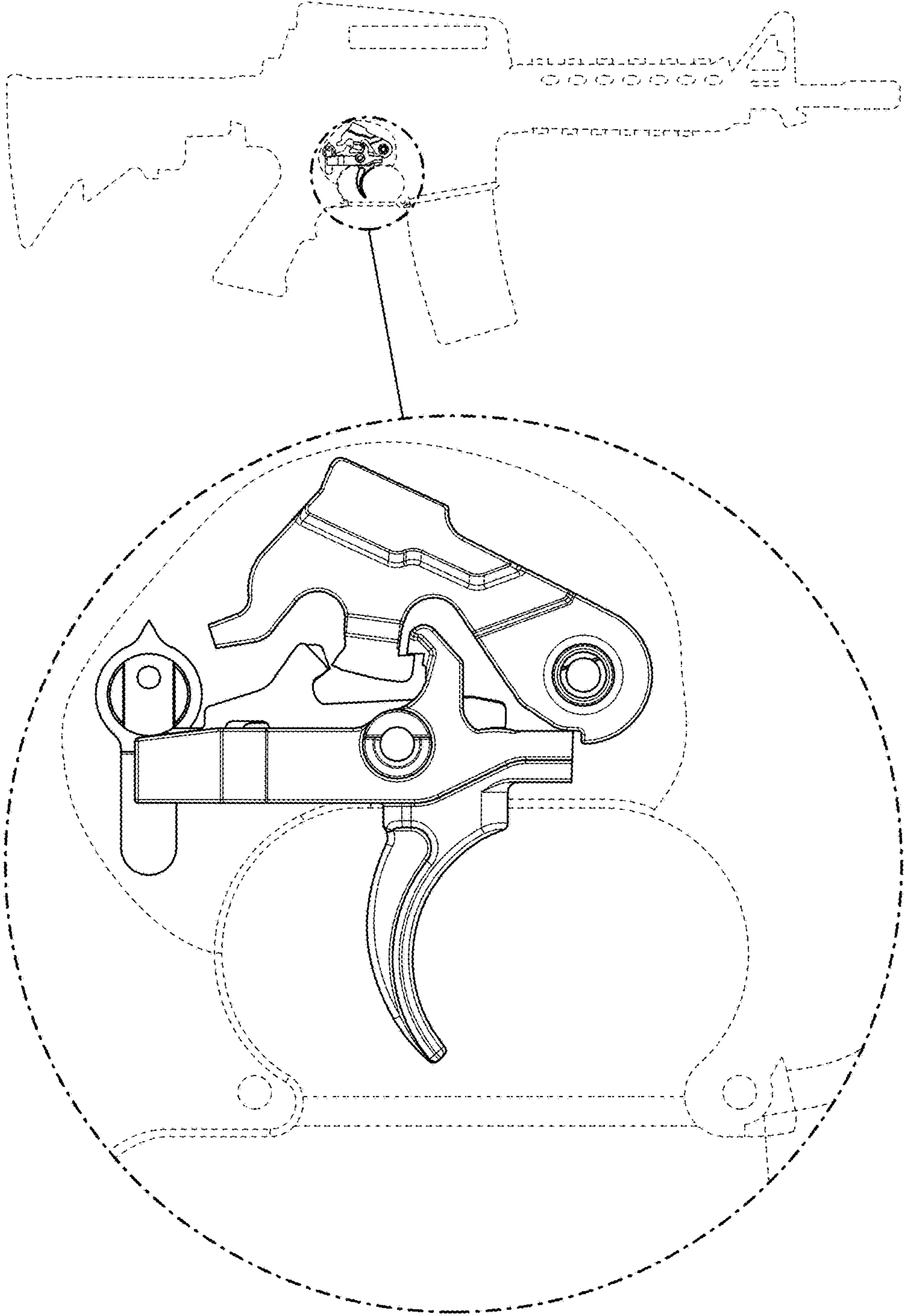


FIG. 1

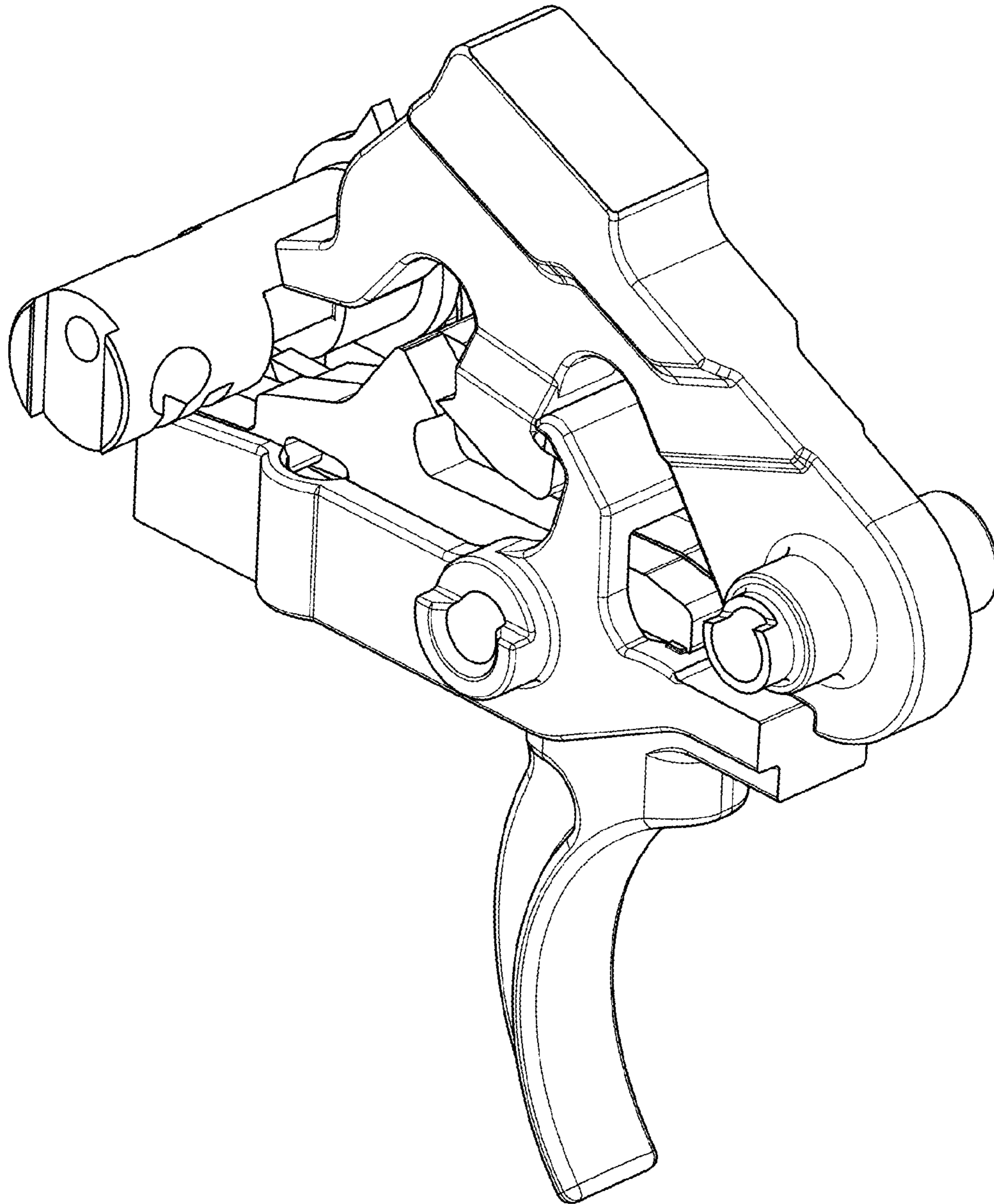


FIG. 2

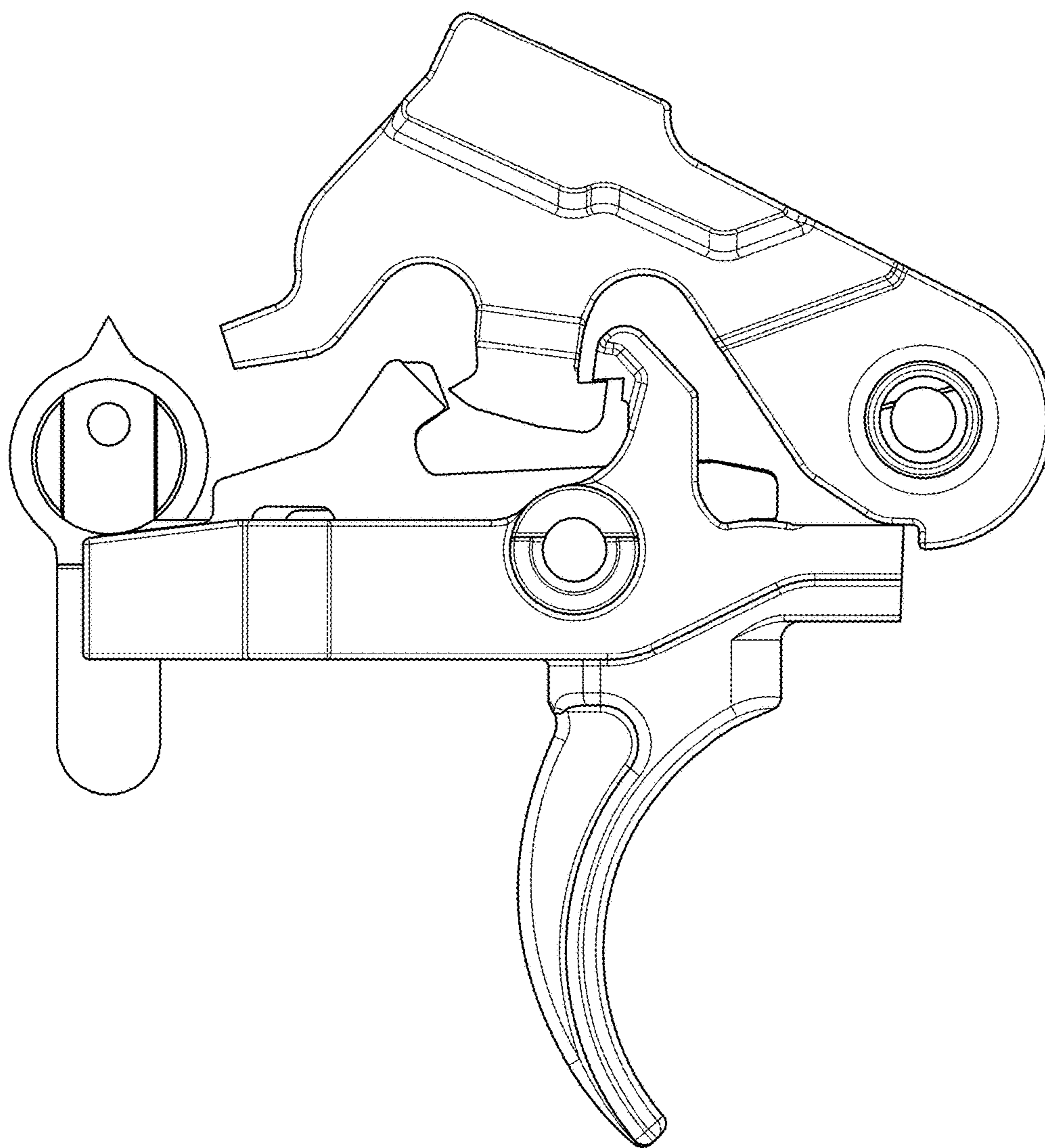


FIG. 3

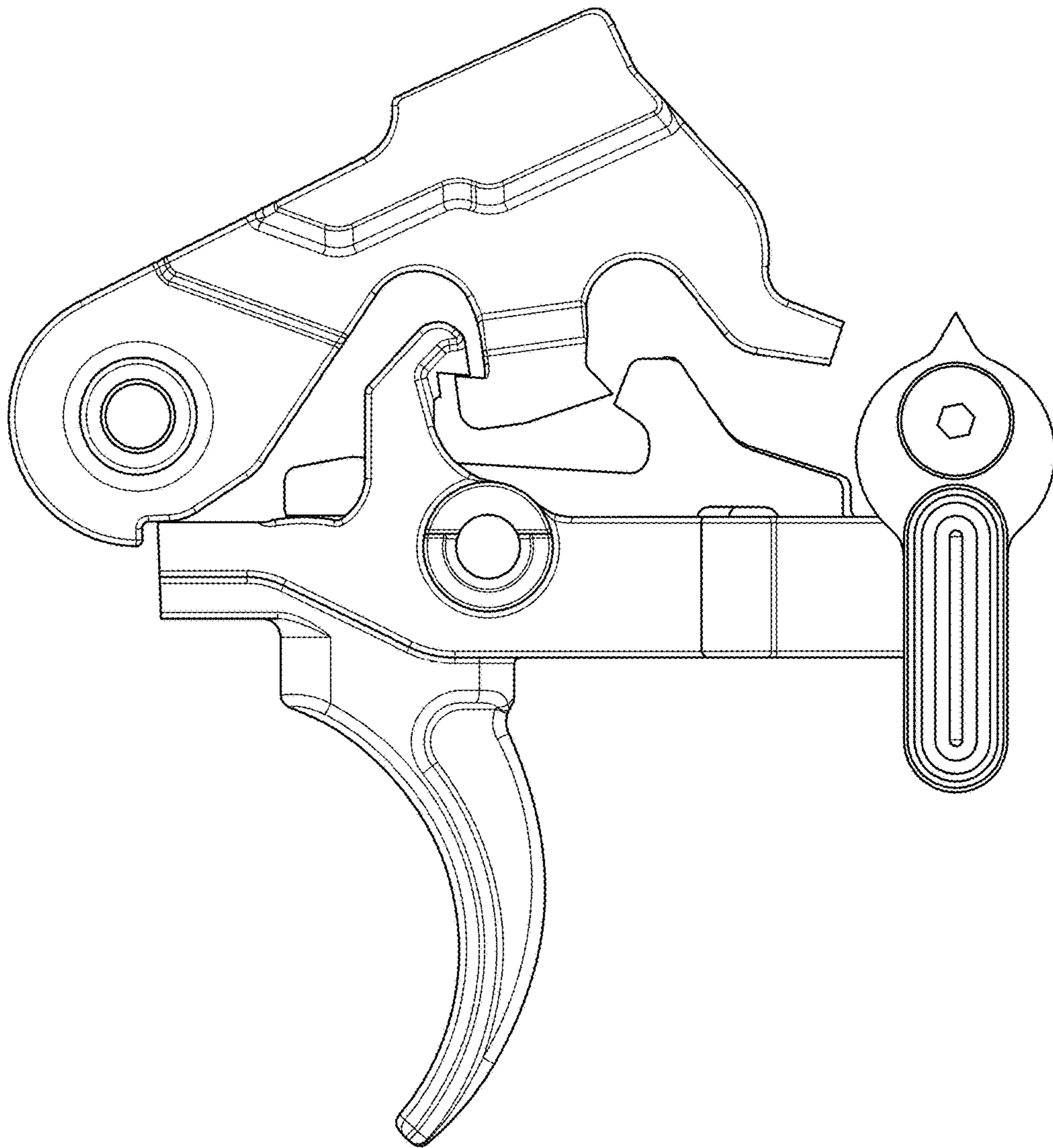


FIG. 4

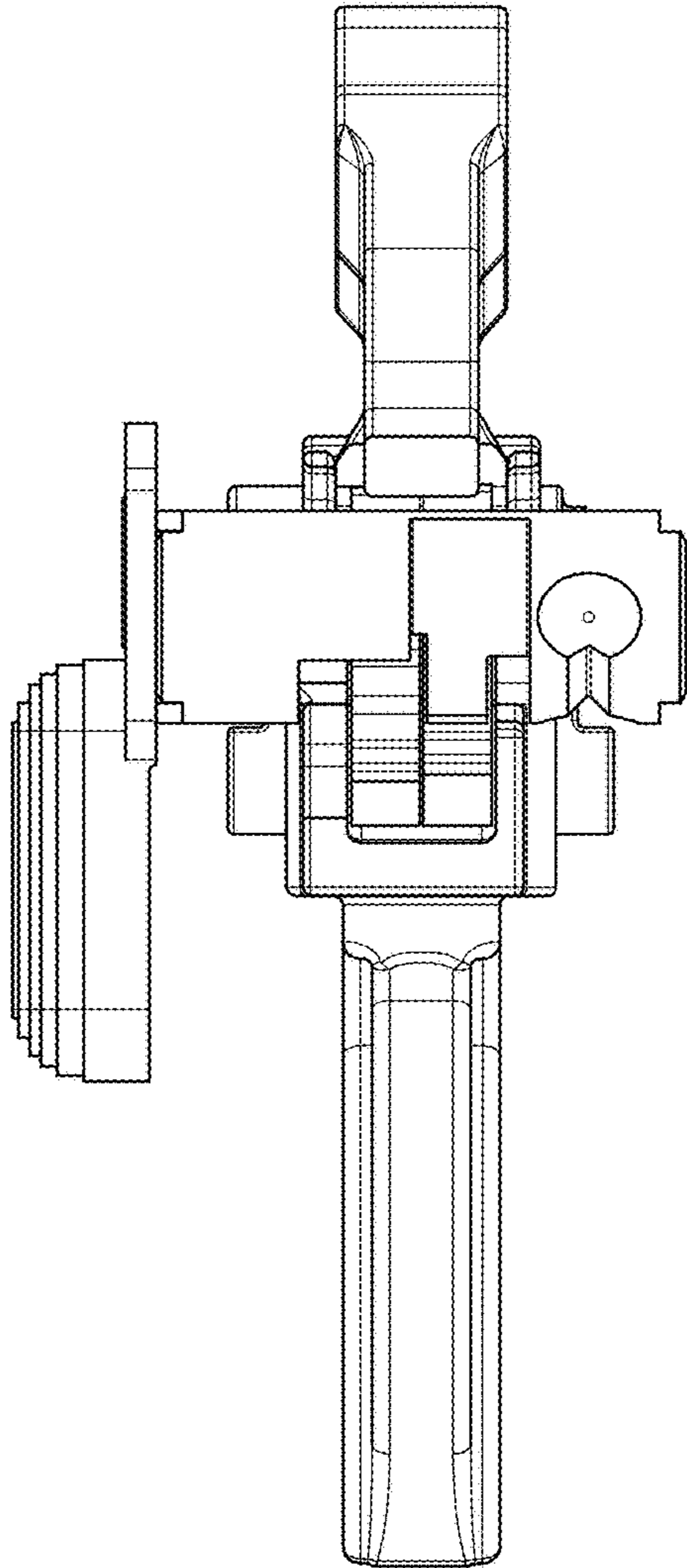


FIG. 5

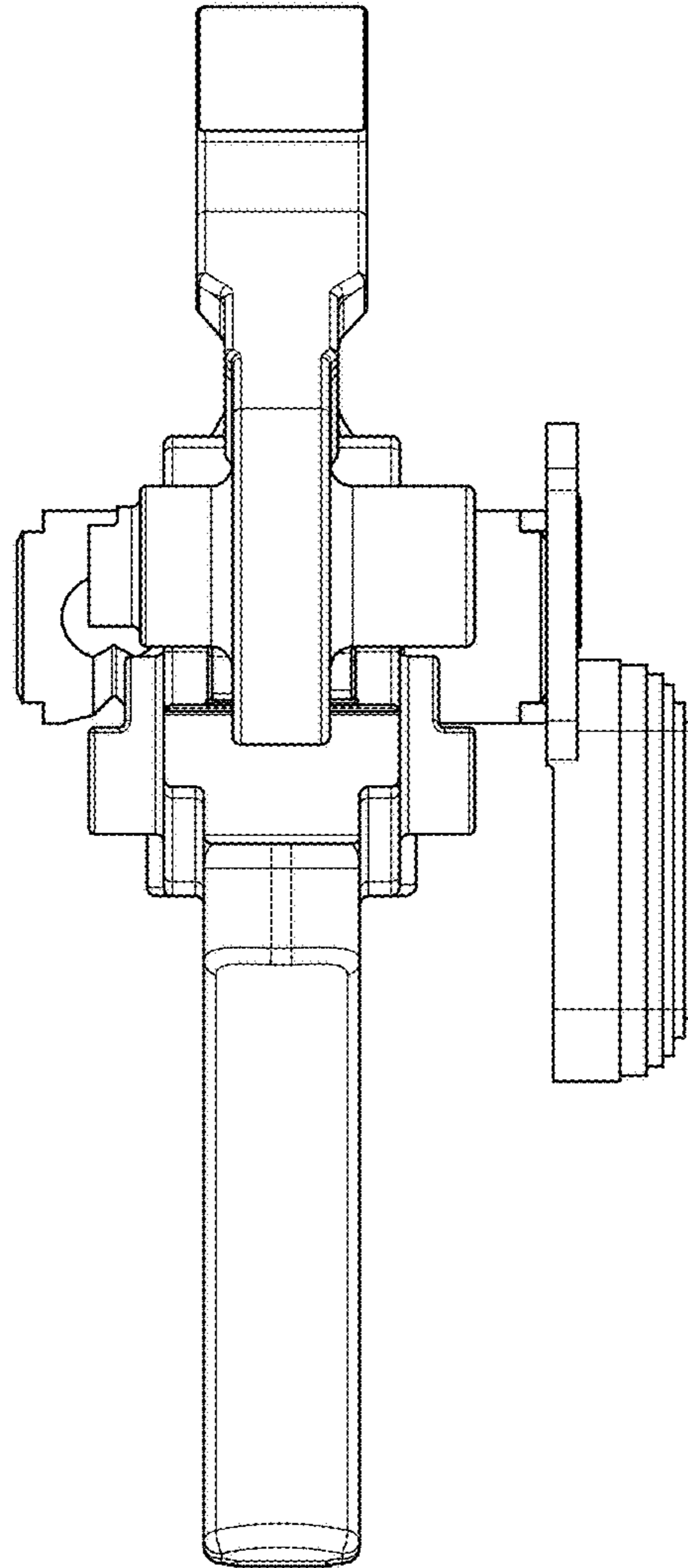


FIG. 6

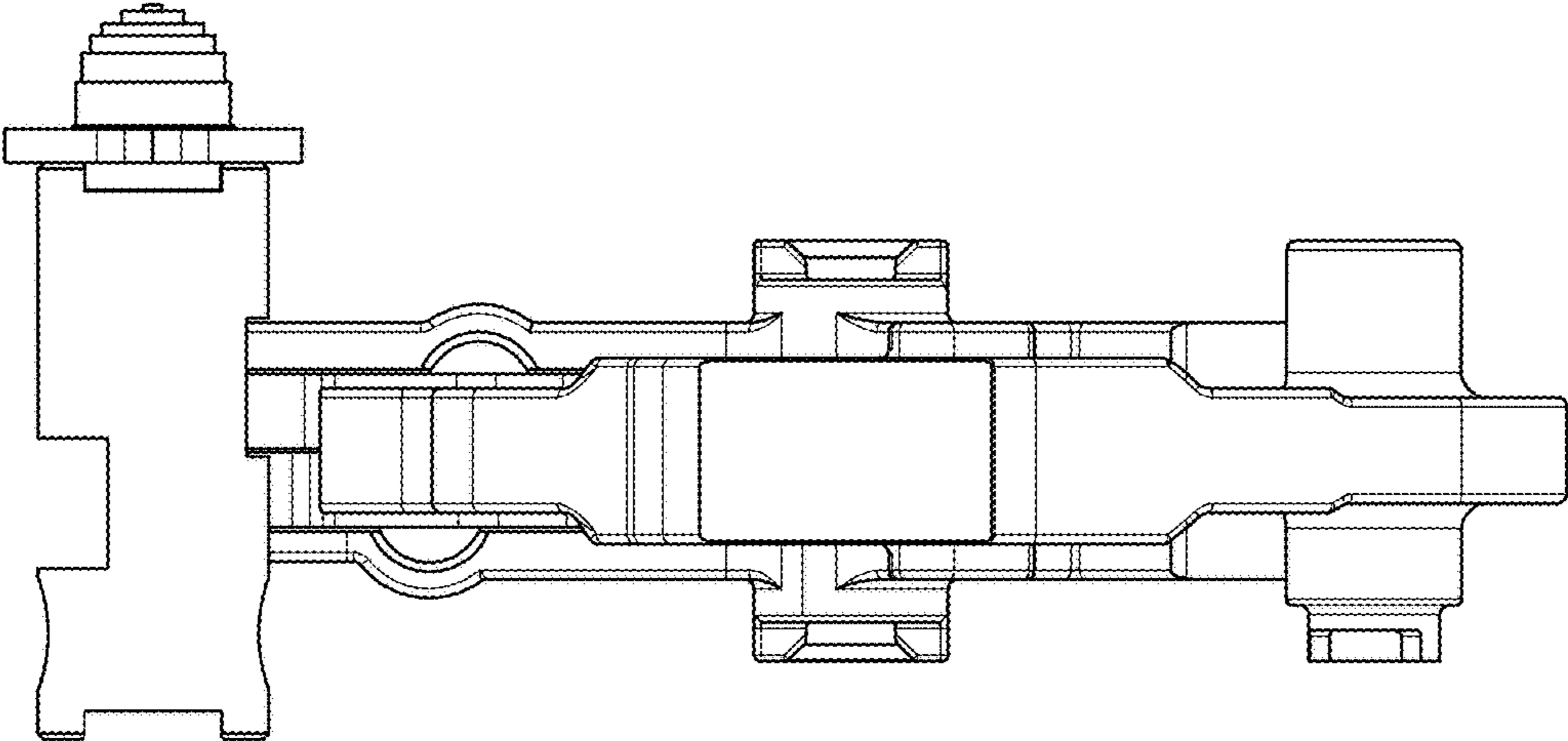


FIG. 7

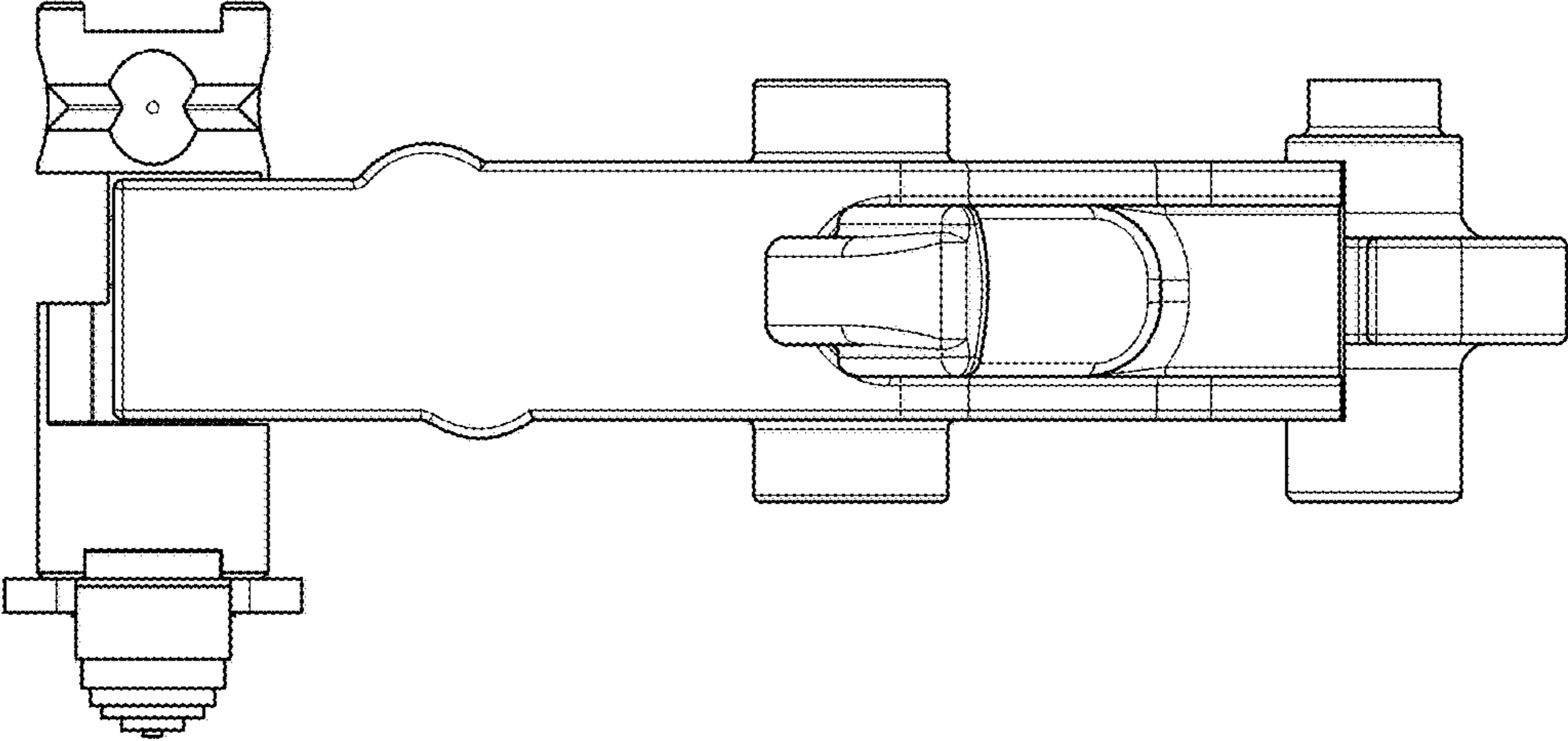


FIG. 8