



US00D833560S

(12) **United States Design Patent** (10) **Patent No.:** **US D833,560 S**
Underwood (45) **Date of Patent:** **** Nov. 13, 2018**

- (54) **MAGAZINE RELEASE LEVER**
- (71) Applicant: **AXTS Weapons Systems, Salem, OR (US)**
- (72) Inventor: **Joshua A. Underwood, Salem, OR (US)**
- (73) Assignee: **AXTS INC., Redmond, OR (US)**
- (**) Term: **15 Years**
- (21) Appl. No.: **29/587,659**
- (22) Filed: **Dec. 14, 2016**

Related U.S. Application Data

- (62) Division of application No. 29/518,148, filed on Feb. 20, 2015, now Pat. No. Des. 779,015, which is a division of application No. 13/705,969, filed on Dec. 5, 2012, now Pat. No. 8,984,786, which is a division of application No. 12/879,986, filed on Sep. 10, 2010, now Pat. No. 8,327,749.

- (51) **LOC (11) Cl.** **22-01**
- (52) **U.S. Cl.**
USPC **D22/108**
CPC **F41A 3/66** (2013.01); **F41A 9/59** (2013.01);
F41A 17/42 (2013.01); **F41A 35/06** (2013.01)

- (58) **Field of Classification Search**
USPC D22/103, 108
CPC F41C 23/10; F41C 23/14; F41C 23/16;
F41C 23/18; F41C 23/00; F41C 27/00;
F41C 27/06; F41A 5/18; F41A 5/24;
F41A 21/28
See application file for complete search history.

- (56) **References Cited**
U.S. PATENT DOCUMENTS
4,128,042 A 12/1978 Atchisson
5,519,954 A * 5/1996 Garrett F41A 17/38
42/6

| | | | |
|-----------------|---------|--------------------|------------------------------|
| 6,557,288 B2 | 5/2003 | Szabo | |
| 7,661,219 B1 | 2/2010 | Knight, Jr. et al. | |
| 8,015,742 B2 | 9/2011 | Zedrosser | |
| D652,468 S | 1/2012 | Burt | |
| 8,261,652 B2 | 9/2012 | Findlay | |
| 8,327,749 B2 | 12/2012 | Underwood | |
| 8,925,233 B2 * | 1/2015 | Thordsen | F41A 17/38 42/50 |
| 8,943,866 B2 * | 2/2015 | Fernandez | F41A 17/38 42/49.01 |
| 8,978,282 B2 * | 3/2015 | Garrett | F41A 35/06 42/6 |
| 8,984,786 B2 | 3/2015 | Underwood | |
| 9,016,188 B2 | 4/2015 | Larson | |
| 9,372,043 B2 * | 6/2016 | Larson, Jr. | F41A 17/38 |
| D770,589 S | 11/2016 | Underwood | |
| D815,711 S * | 4/2018 | Holm | D22/108 |
| D816,793 S * | 5/2018 | McCallum | D22/108 |
| 2003/0208940 A1 | 11/2003 | Johnson | |

(Continued)

Primary Examiner — Michael A. Pratt
(74) *Attorney, Agent, or Firm* — Schwabe Williamson & Wyatt, P.C.

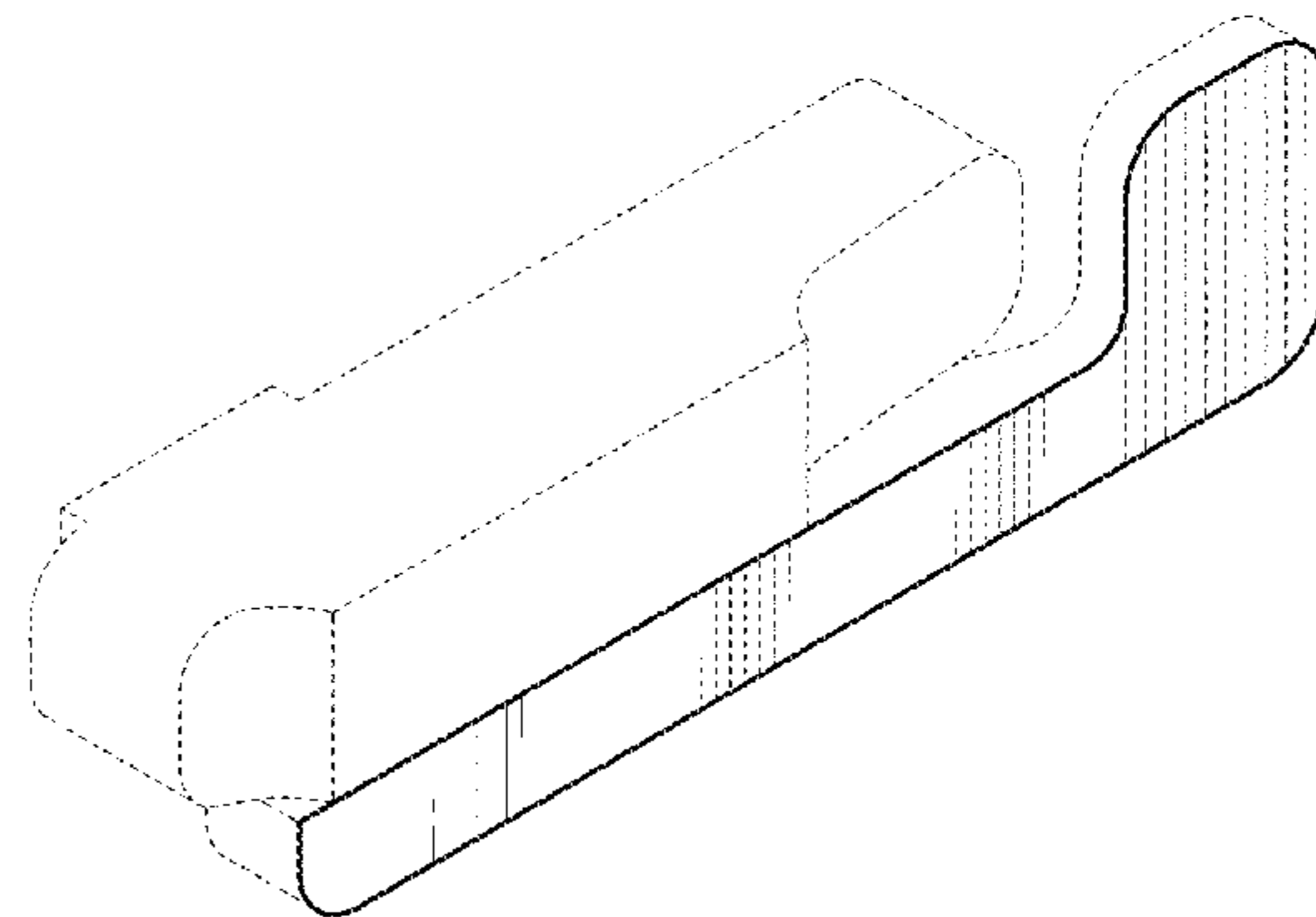
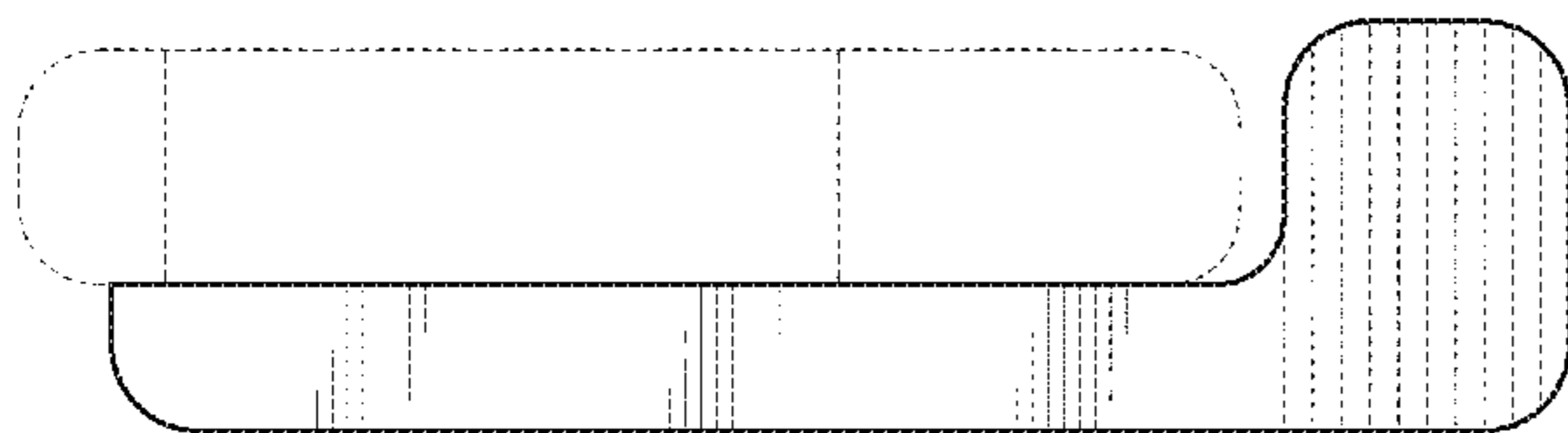
(57) **CLAIM**

The ornamental design for a magazine release lever, as shown and described.

DESCRIPTION

FIG. 1 is a side view of a firearm receiver with a magazine release lever.
FIG. 2 is an enlarged view of the magazine release lever of FIG. 1 shown in isolation from the firearm receiver; and, FIG. 3 is a perspective view of the magazine release lever shown in FIG. 2.
The broken lines showing a lower receiver in FIG. 1 illustrate environment which forms no part of the claimed design. Additional broken lines shown in FIGS. 1, 2, and 3 illustrate portions of the magazine release lever that form no part of the claimed design.

1 Claim, 3 Drawing Sheets



(56)

References Cited

U.S. PATENT DOCUMENTS

| | | | | |
|--------------|-----|---------|---------------|---------------------|
| 2006/0123683 | A1 | 6/2006 | Garrett | |
| 2011/0056107 | A1 | 3/2011 | Underwood | |
| 2013/0152442 | A1 | 6/2013 | Underwood | |
| 2014/0237878 | A1 | 8/2014 | Lambert | |
| 2015/0323271 | A1* | 11/2015 | McGinty | F41A 35/06 42/17 |
| 2016/0116242 | A1* | 4/2016 | McGinty | F41A 35/06 42/16 |

* cited by examiner

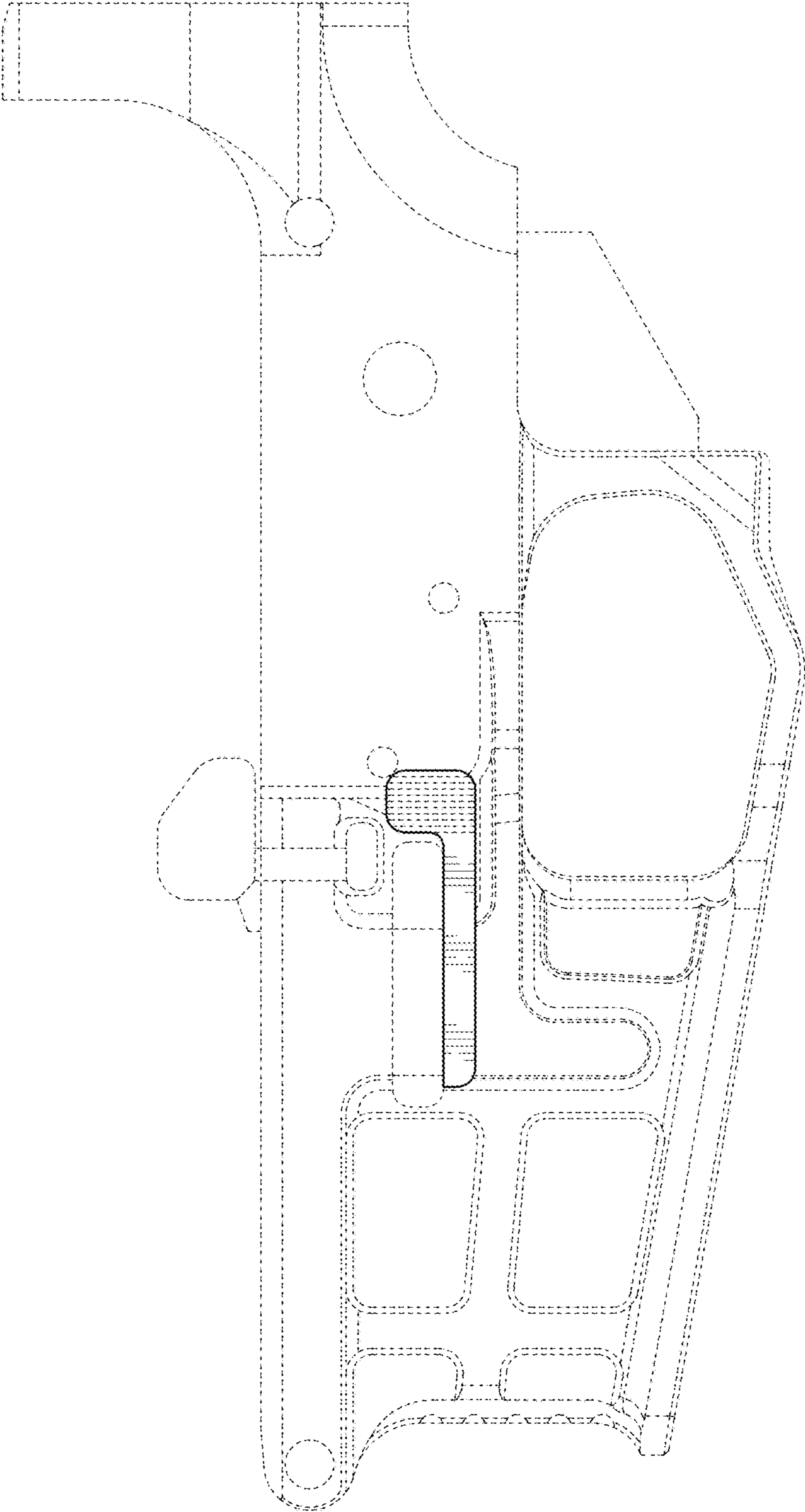


FIG. 1

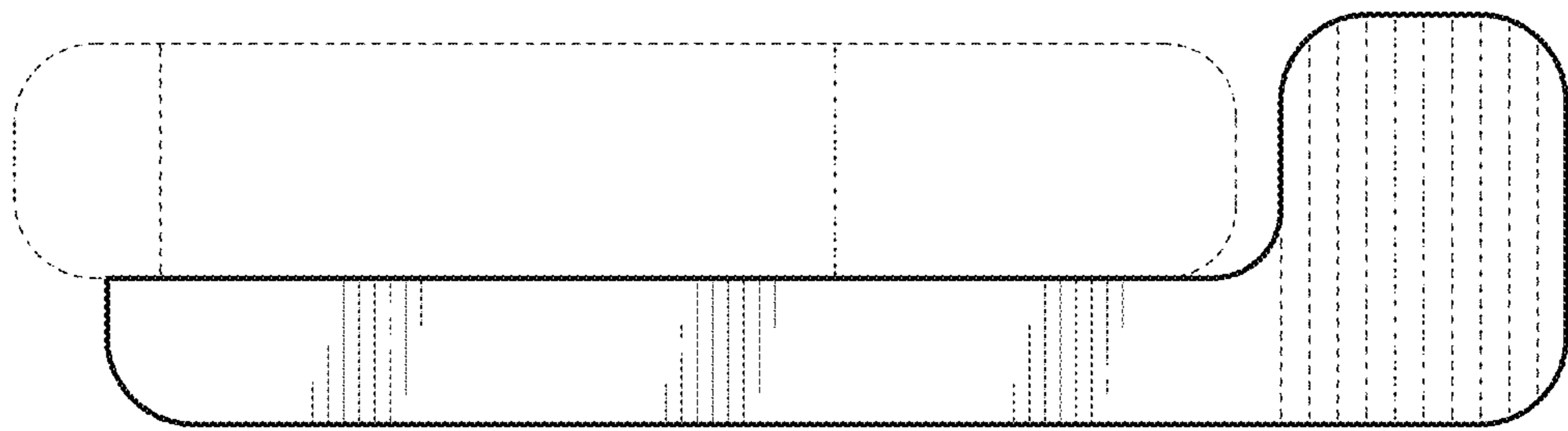


FIG. 2

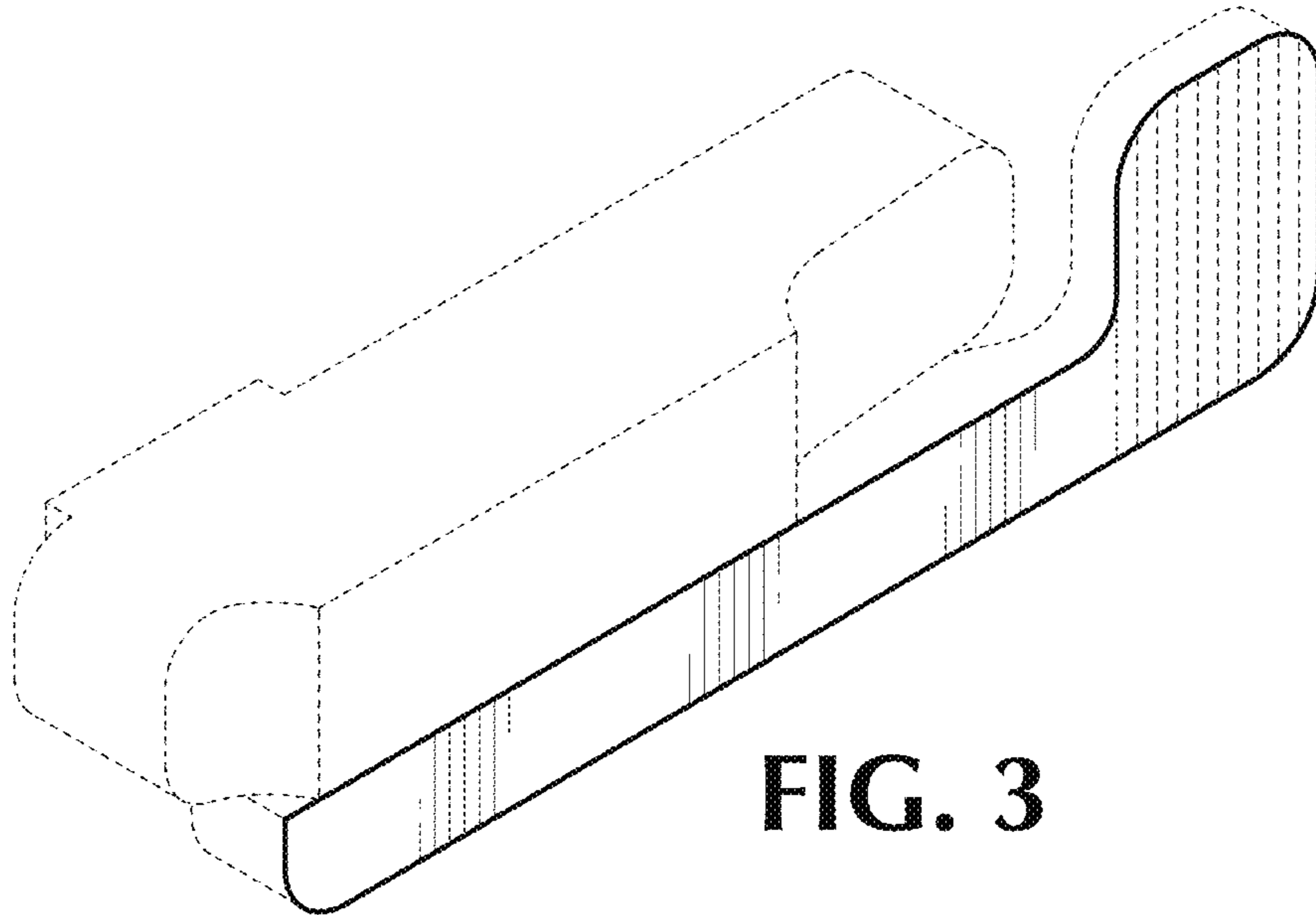


FIG. 3