



US00D833553S

(12) **United States Design Patent**
Dolezel

(10) **Patent No.:** **US D833,553 S**

(45) **Date of Patent:** **** Nov. 13, 2018**

(54) **GOLF CLUB HEAD**

(71) Applicant: **DUNLOP SPORTS CO. LTD.**,
Kobe-shi, Hyogo (JP)

(72) Inventor: **Keith F. Dolezel**, Covina, CA (US)

(73) Assignee: **DUNLOP SPORTS CO. LTD.**, Kobe
(JP)

(**) Term: **15 Years**

(21) Appl. No.: **29/606,985**

(22) Filed: **Jun. 9, 2017**

(51) **LOC (11) Cl.** **21-02**

(52) **U.S. Cl.**
USPC **D21/759**

(58) **Field of Classification Search**
USPC D21/747-751, 759
CPC A63B 53/00; A63B 53/02; A63B 53/04;
A63B 53/047; A63B 53/0475; A63B
2053/0479; A63B 2053/0483; A63B
2053/0445; A63B 60/00; A63B 60/46
See application file for complete search history.

(56) **References Cited**

U.S. PATENT DOCUMENTS

5,014,993	A *	5/1991	Antonious	A63B 53/04 473/350
5,048,834	A *	9/1991	Gorman	A63B 53/04 473/350
5,658,209	A *	8/1997	Blakemore	A63B 53/04 473/350
D422,043	S *	3/2000	Kubica	D21/747
D429,299	S *	8/2000	Kubica	D21/748
D454,606	S *	3/2002	Helmstetter	D21/747
D466,576	S *	12/2002	Nagai	D21/759

D466,961	S *	12/2002	Nagai	D21/759
D468,787	S *	1/2003	Oosthuizen	D21/747
D511,360	S *	11/2005	Kawami	D21/747
D512,474	S *	12/2005	Madore	D21/759
D512,475	S *	12/2005	Madore	D21/759
D512,756	S *	12/2005	Kawami	D21/747
D516,152	S *	2/2006	Madore	D21/759
D550,797	S *	9/2007	Oldknow	D21/759
D596,256	S *	7/2009	Schweigert	D21/759
D596,257	S *	7/2009	Jertson	D21/759
D635,627	S *	4/2011	Nicolette	D21/759
D642,642	S *	8/2011	Jertson	D21/759
2009/0029790	A1 *	1/2009	Nicolette	A63B 53/047 473/291

* cited by examiner

Primary Examiner — Mitchell I. Siegel

(74) *Attorney, Agent, or Firm* — Oliff PLC

(57) **CLAIM**

The ornamental design for a golf club head, as shown and described.

DESCRIPTION

FIG. 1 is a rear, toe-side perspective view of the golf club head;

FIG. 2 is a rear elevational view thereof;

FIG. 3 is a heel-side elevational view thereof;

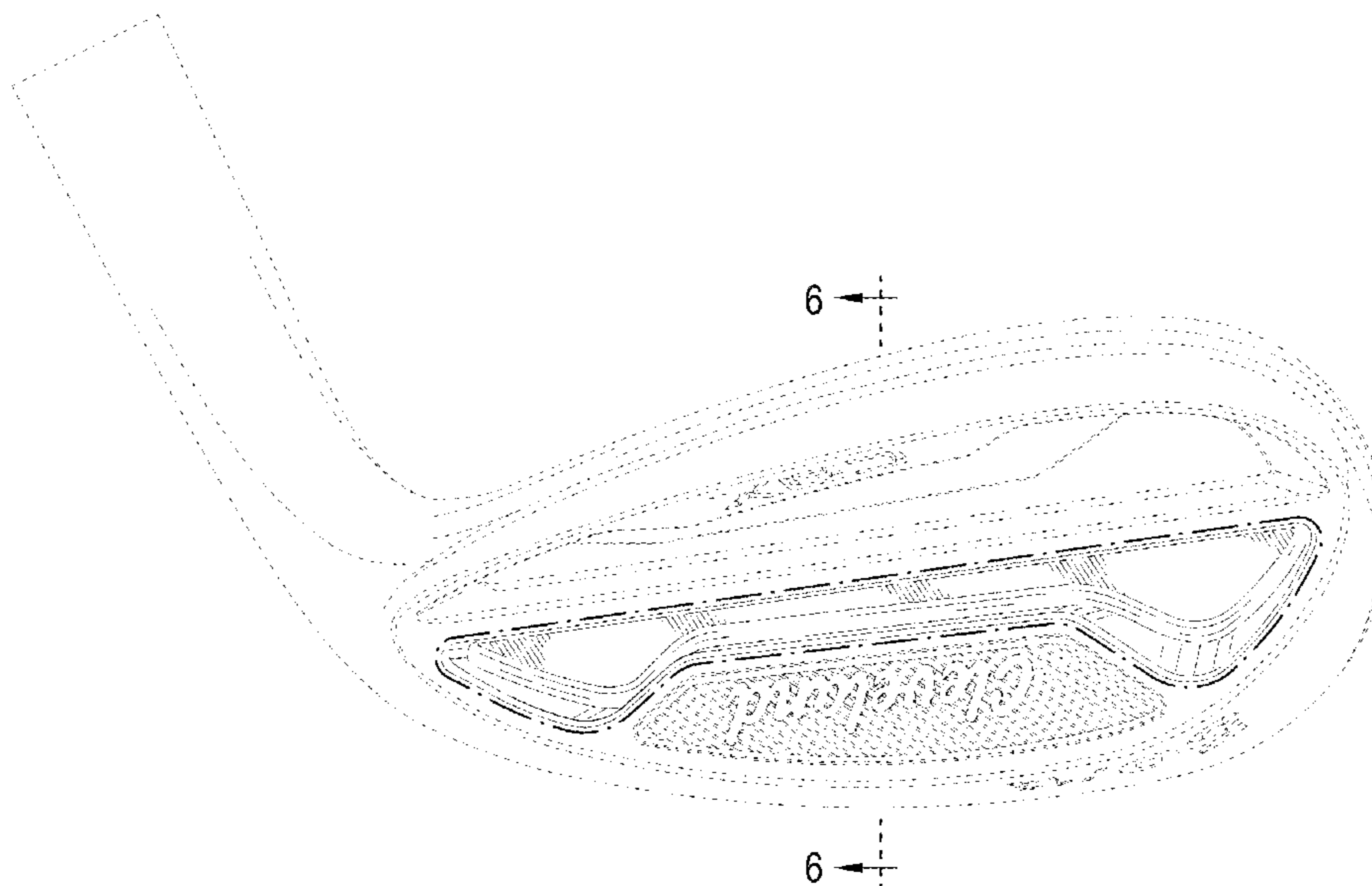
FIG. 4 is a bottom plan view thereof;

FIG. 5 is a rear, heel-side, bottom perspective view thereof; and,

FIG. 6 is a cross-sectional view thereof taken along line 6-6 in FIG. 2.

The dot-dash chain lines depict boundaries of the claimed subject matter, and thus form no part of the claimed design. The broken lines depict unclaimed parts of the golf club head, and thus form no part of the claimed design.

1 Claim, 6 Drawing Sheets



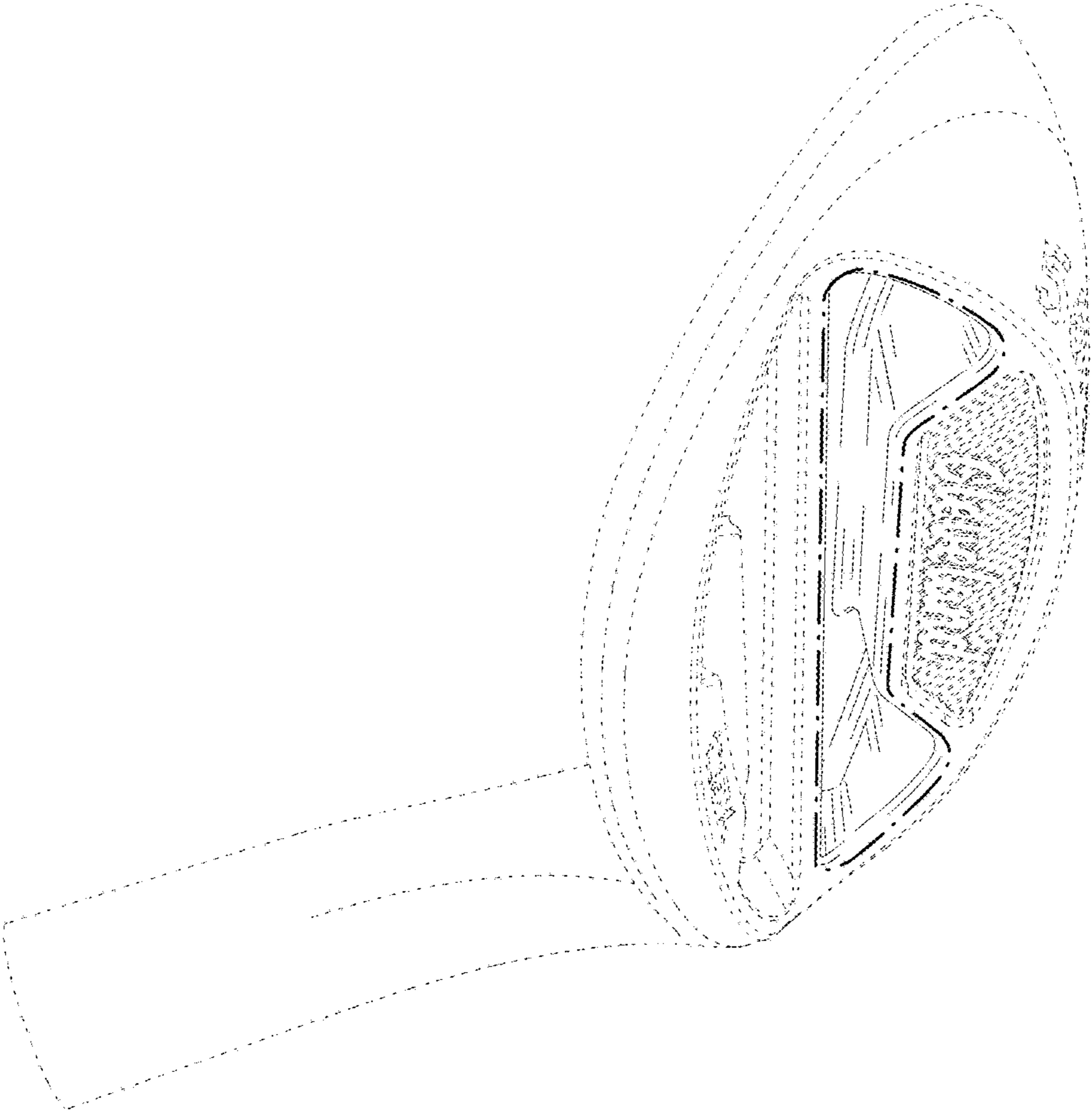


FIG. 1

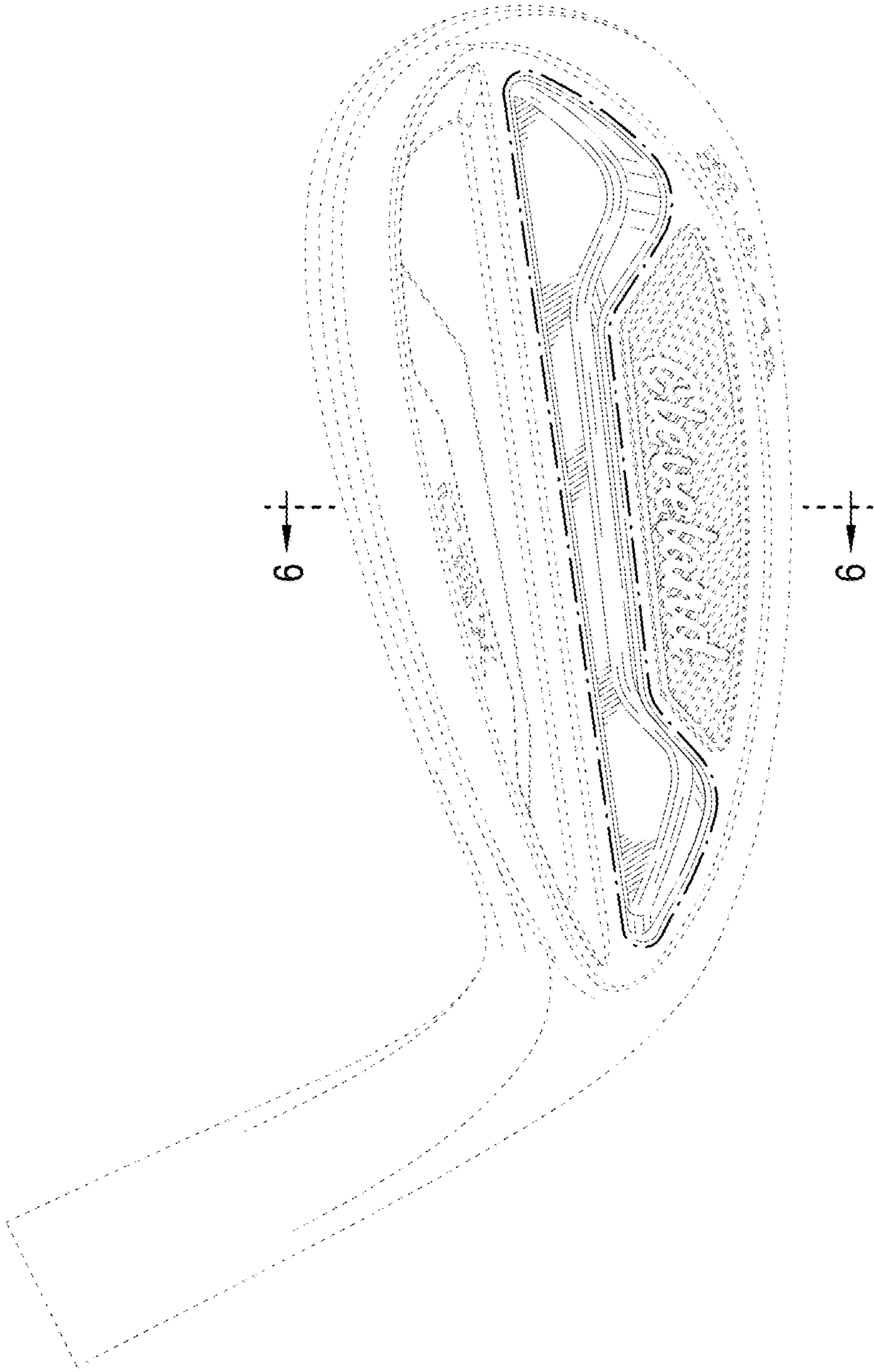


FIG. 2

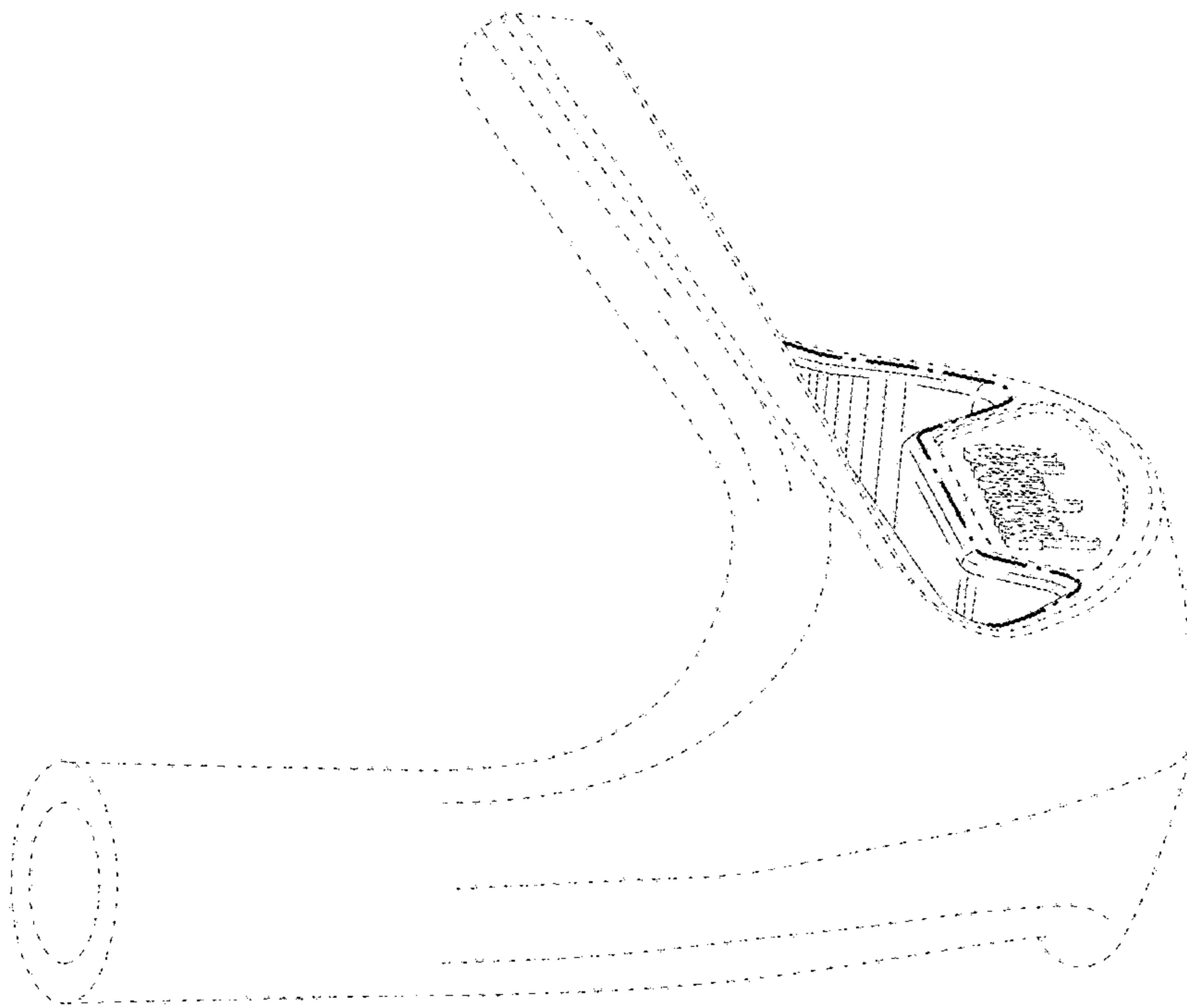


FIG. 3

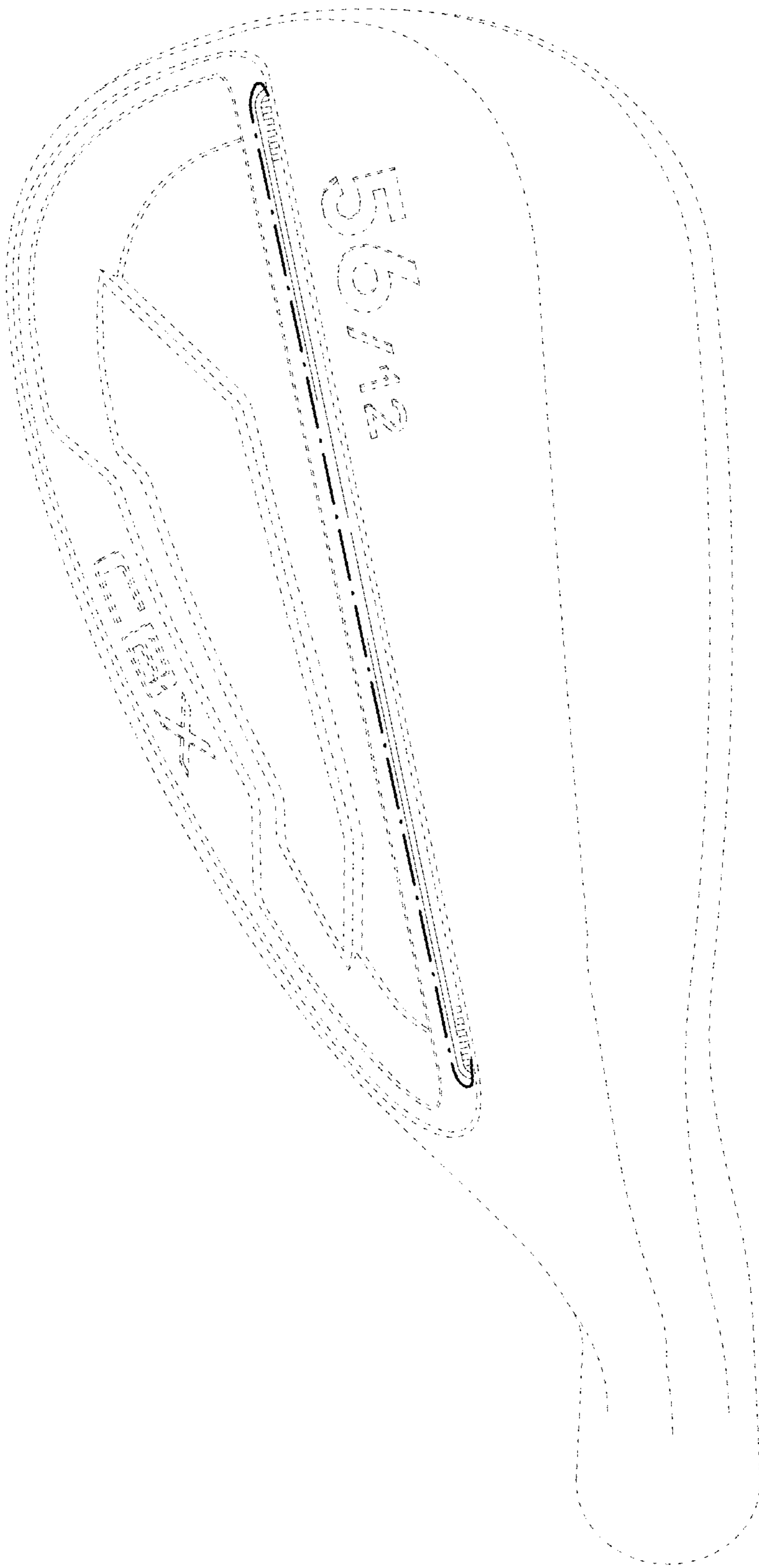


FIG. 4

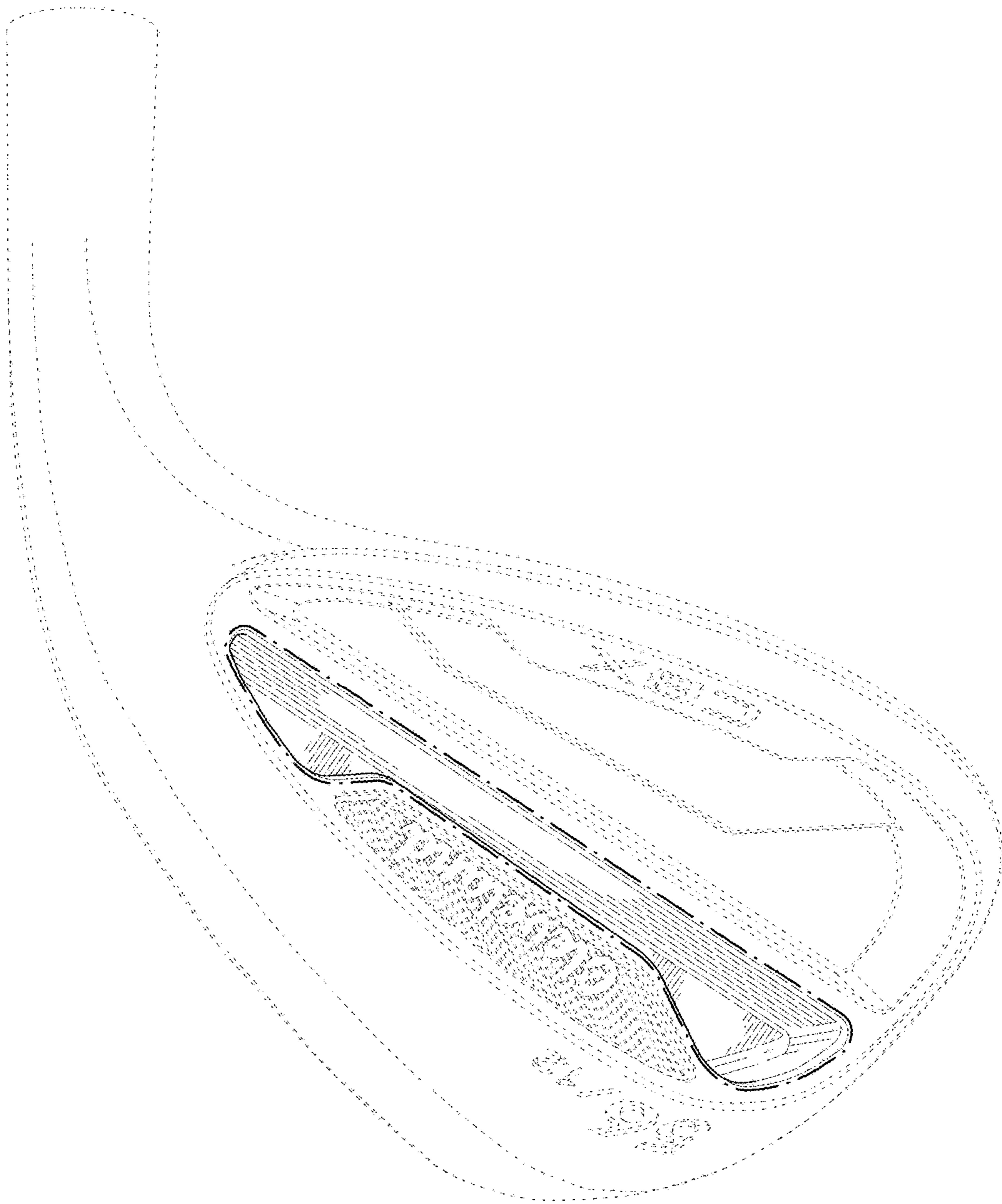


FIG. 5

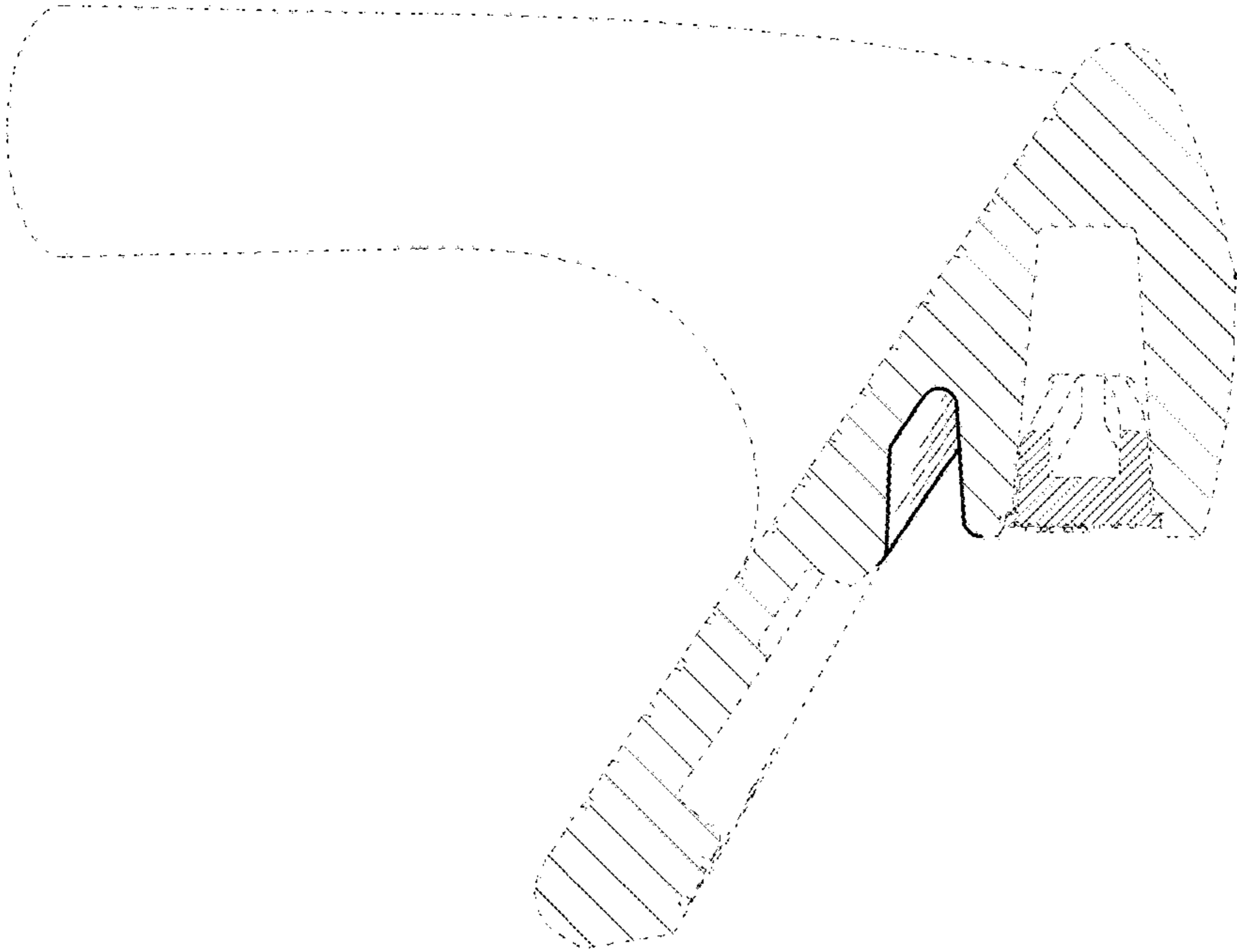


FIG. 6