

US00D833550S

(12) **United States Design Patent** (10) **Patent No.:** **US D833,550 S**
Cameron (45) **Date of Patent:** **** Nov. 13, 2018**

(54) **HOSEL OF A GOLF CLUB**
(71) Applicant: **Acushnet Company**, Fairhaven, MA (US)
(72) Inventor: **Don T. Cameron**, Carlsbad, CA (US)
(73) Assignee: **Acushnet Company**, Fairhaven, MA (US)

6,752,726 B2 * 6/2004 Burrows A63B 53/02
473/309
D495,021 S * 8/2004 Gray D21/759
D506,798 S * 6/2005 Burrows D21/759
D591,379 S * 4/2009 De La Cruz D21/759
D591,815 S * 5/2009 De La Cruz D21/759
D635,628 S * 4/2011 Evans D21/759
D637,675 S * 5/2011 Evans D21/759
D756,476 S * 5/2016 Rollinson D21/759
D757,871 S * 5/2016 Dipert D21/747

(Continued)

(**) Term: **15 Years**

(21) Appl. No.: **29/595,675**

(22) Filed: **Mar. 1, 2017**

(51) **LOC (11) Cl.** **21-02**

(52) **U.S. Cl.**
USPC **D21/759**

(58) **Field of Classification Search**
USPC D21/736-746, 759
CPC A63B 53/00; A63B 53/04; A63B 53/007;
A63B 53/065; A63B 53/0487; A63B
60/00; A63B 60/46

See application file for complete search history.

(56) **References Cited**

U.S. PATENT DOCUMENTS

D359,541 S * 6/1995 Lamanna D21/757
D378,771 S * 4/1997 Antonious D21/757
D381,728 S * 7/1997 Cameron D21/759
D388,488 S * 12/1997 Cameron D21/759
D401,653 S * 11/1998 Burrows D21/753
D401,654 S * 11/1998 Burrows D21/753
D401,655 S * 11/1998 Burrows D21/753
D401,656 S * 11/1998 Burrows D21/753
D409,701 S * 5/1999 Ashcraft D21/743
D410,982 S * 6/1999 Solheim D21/759
D436,151 S * 1/2001 Nicolette D21/759
D443,668 S * 6/2001 Nicolette D21/759
D464,695 S * 10/2002 Long D21/759
D478,951 S * 8/2003 Burrows D21/759

OTHER PUBLICATIONS

Golfspy, #Myedel—Your First Design Decision [online], Feb. 2, 2015 [retrieved on Mar. 10, 2017] Retrieved from the internet <URL:https://www.mygolfspy.com/myedel-crowdsourced-putter-vote-1/ >---2015.

Primary Examiner — Mitchell I. Siegel
(74) *Attorney, Agent, or Firm* — Randy K. Chang

(57) **CLAIM**

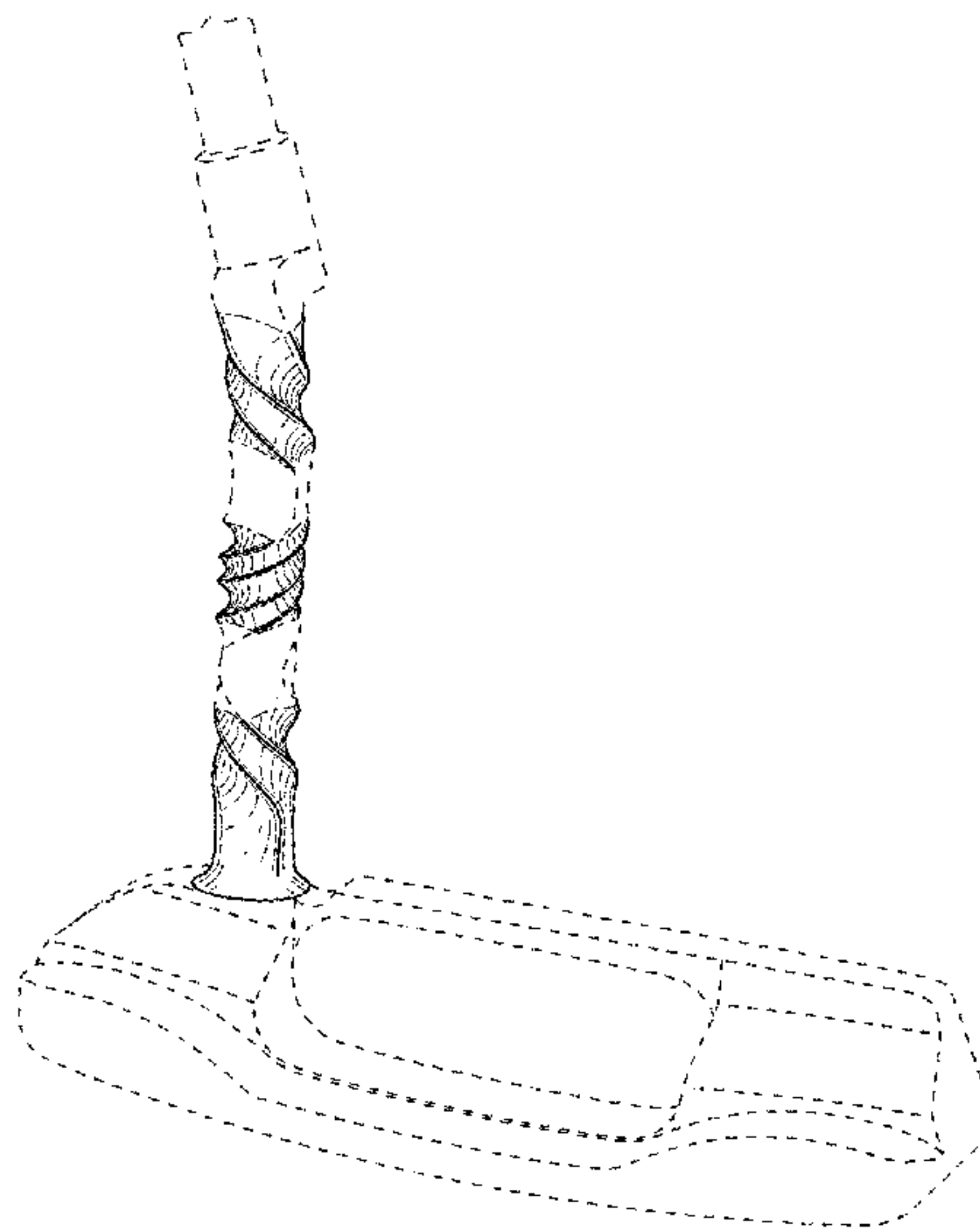
The ornamental design for hosel of a golf club, as shown and described.

DESCRIPTION

FIG. 1 is a perspective back view of my new design for a hosel of a golf club;
FIG. 2 is a top view thereof;
FIG. 3 is a front view thereof;
FIG. 4 is a back view thereof;
FIG. 5 is a bottom sole view thereof;
FIG. 6 is a toe view thereof; and,
FIG. 7 is a heel view thereof.

The broken line showing of the unclaimed golf club head and unclaimed portions of the hosel are for illustrative purposes only and forms no part of the claimed design. The dash-dot broken lines on the drawings are representative of boundary lines and form no part of the claimed design.

1 Claim, 4 Drawing Sheets



(56)

References Cited

U.S. PATENT DOCUMENTS

D780,273 S * 2/2017 Dipert D21/759
D796,611 S * 9/2017 Ivanova D21/759

* cited by examiner

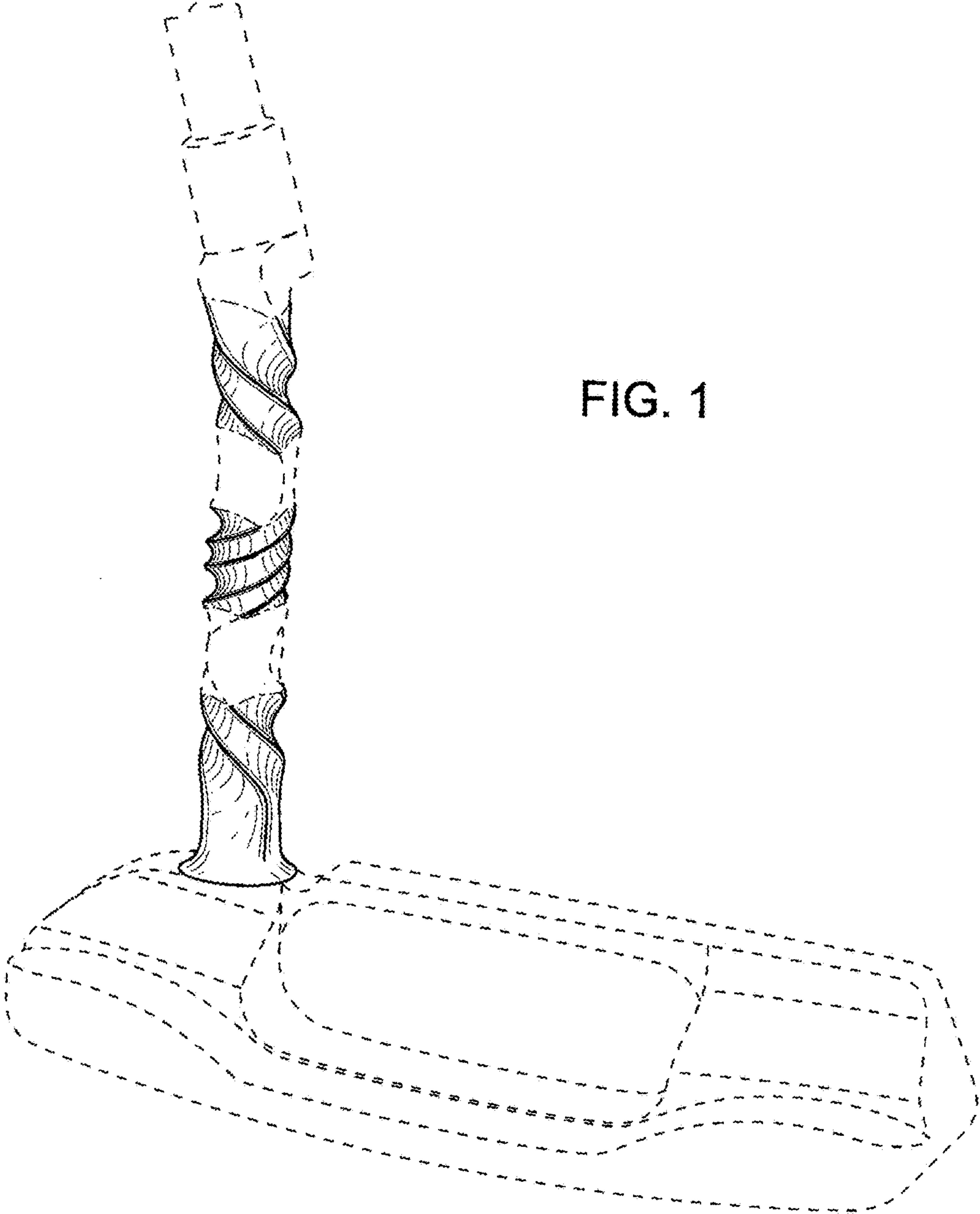
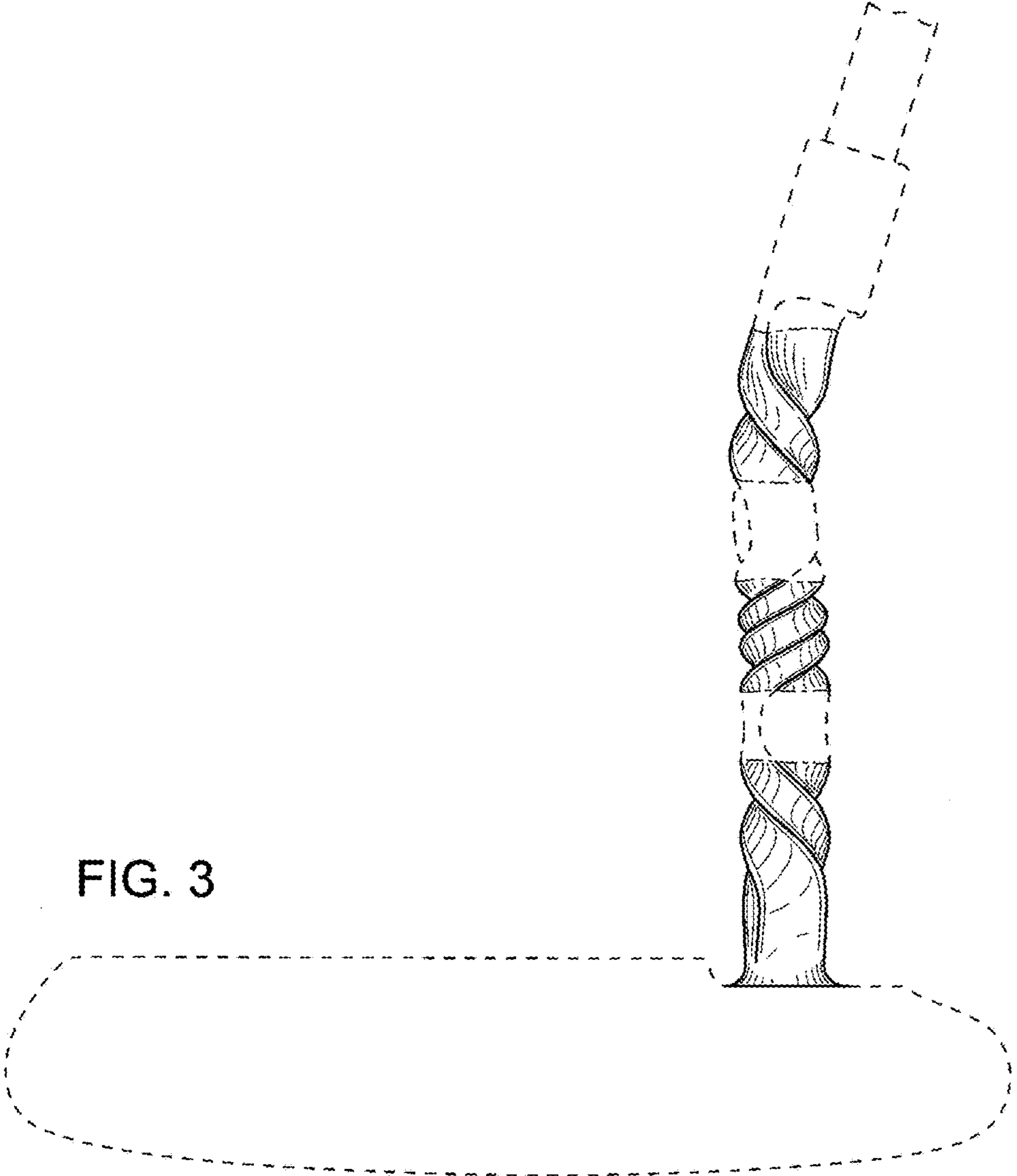


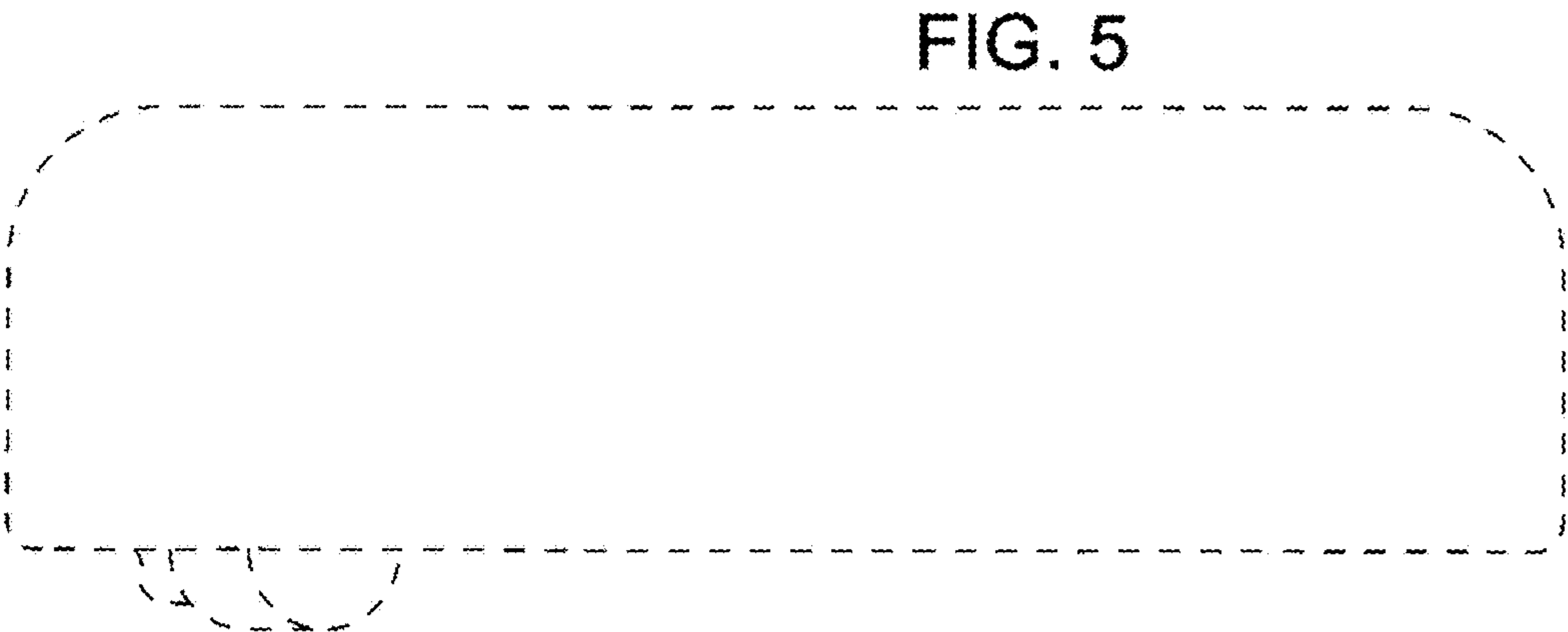
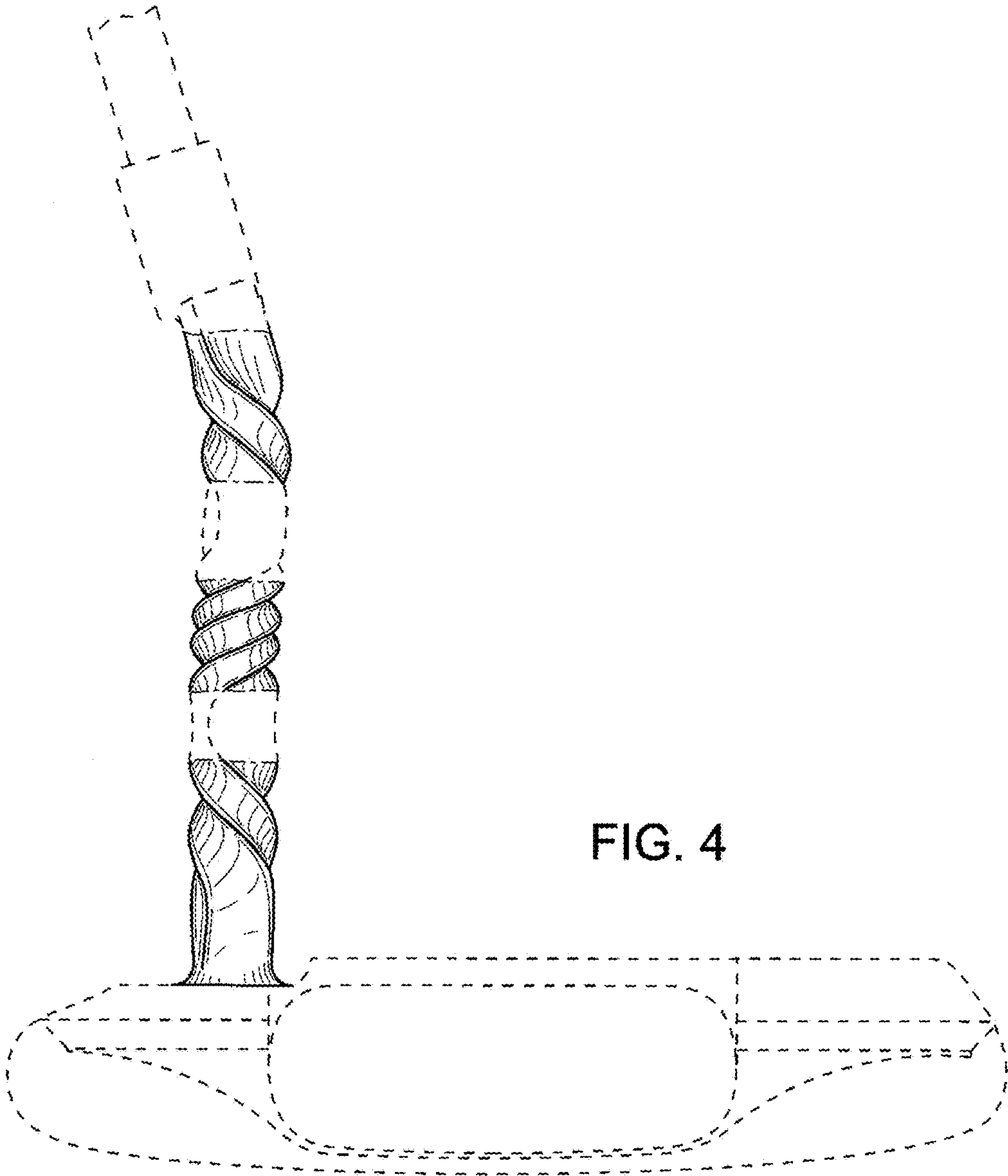
FIG. 1

FIG. 2



FIG. 3





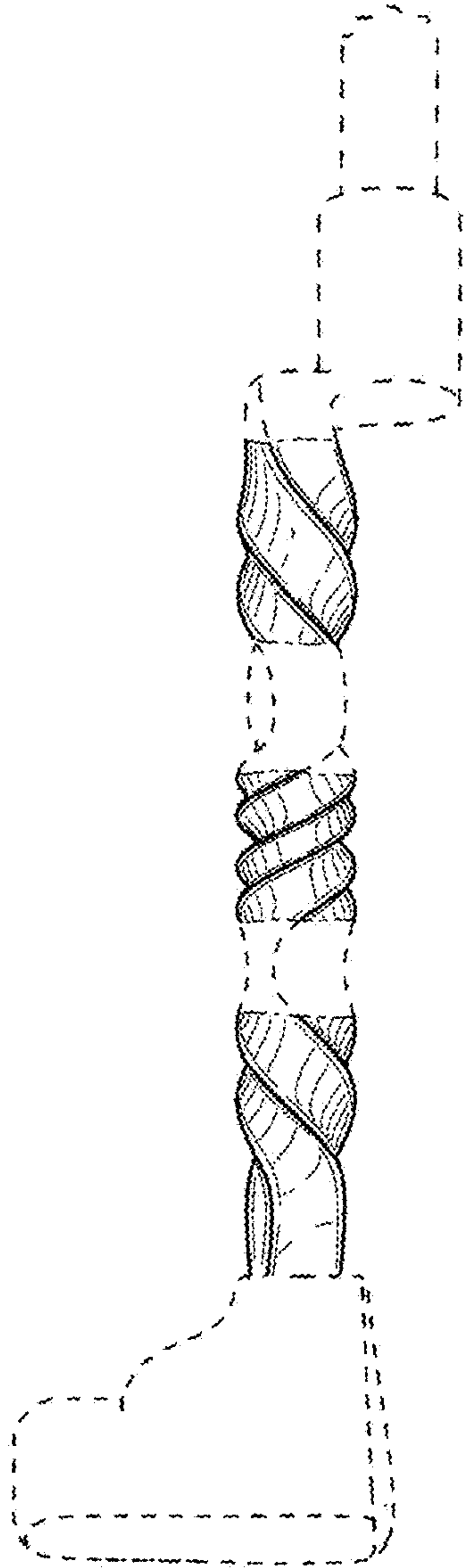


FIG. 6

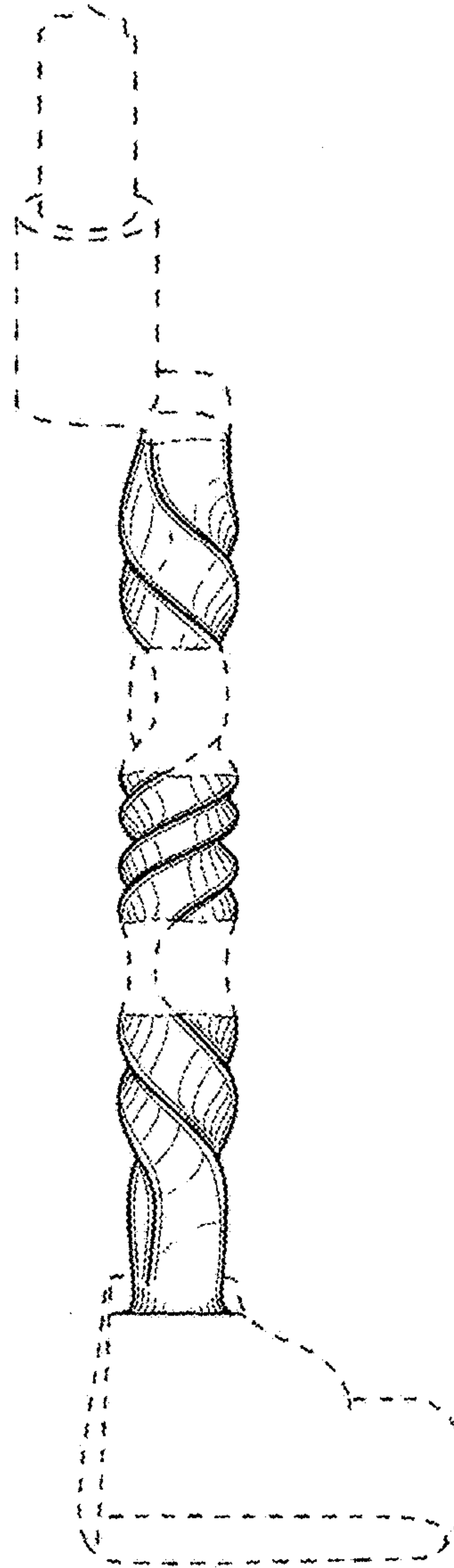


FIG. 7