

US00D833545S

(12) **United States Design Patent**
Semling et al.

(10) **Patent No.:** **US D833,545 S**

(45) **Date of Patent:** **** Nov. 13, 2018**

- (54) **TOY BUILDING BRICK**
- (71) Applicant: **Brian's Toys Inc.**, Fountain City, WI (US)
- (72) Inventors: **Brian Semling**, Fountain City, WI (US); **Akon Lee**, Dongguan (CN); **Jim Law**, Dongguan (CN)
- (**) Term: **15 Years**
- (21) Appl. No.: **29/630,849**
- (22) Filed: **Dec. 22, 2017**
- (51) **LOC (11) Cl.** **21-01**
- (52) **U.S. Cl.**
USPC **D21/499**; D21/501
- (58) **Field of Classification Search**
USPC D21/333, 373, 386, 389, 404, 468, 470, D21/471, 475, 484-505; D3/304, 314; D24/101; D9/640
CPC A63H 33/04; A63H 33/06; A63H 33/062; A63H 33/08; A63H 33/088; A63F 9/12; A63F 9/1224
See application file for complete search history.

- D437,366 S * 2/2001 Stemmler D21/499
- 6,322,414 B1 * 11/2001 Lin A63H 33/10 446/122
- D473,397 S * 4/2003 Ong D6/407
- D480,437 S * 10/2003 Stoneberg D21/499
- D483,200 S * 12/2003 Udommahuntisuk D6/407
- D490,483 S * 5/2004 Auberger D21/499
- D512,108 S * 11/2005 Lin D21/499
- 7,347,028 B1 * 3/2008 Bin-Nun A63H 33/086 446/112
- D610,212 S * 2/2010 Pedersen D21/499
- D614,249 S * 4/2010 Pedersen D21/499
- 8,382,548 B2 * 2/2013 Maggiore A63H 33/062 446/120
- D678,045 S * 3/2013 Paolini D8/382
- 2003/0013374 A1 * 1/2003 Lin A63H 33/04 446/85

* cited by examiner

Primary Examiner — Cynthia M. Chin

(57) **CLAIM**

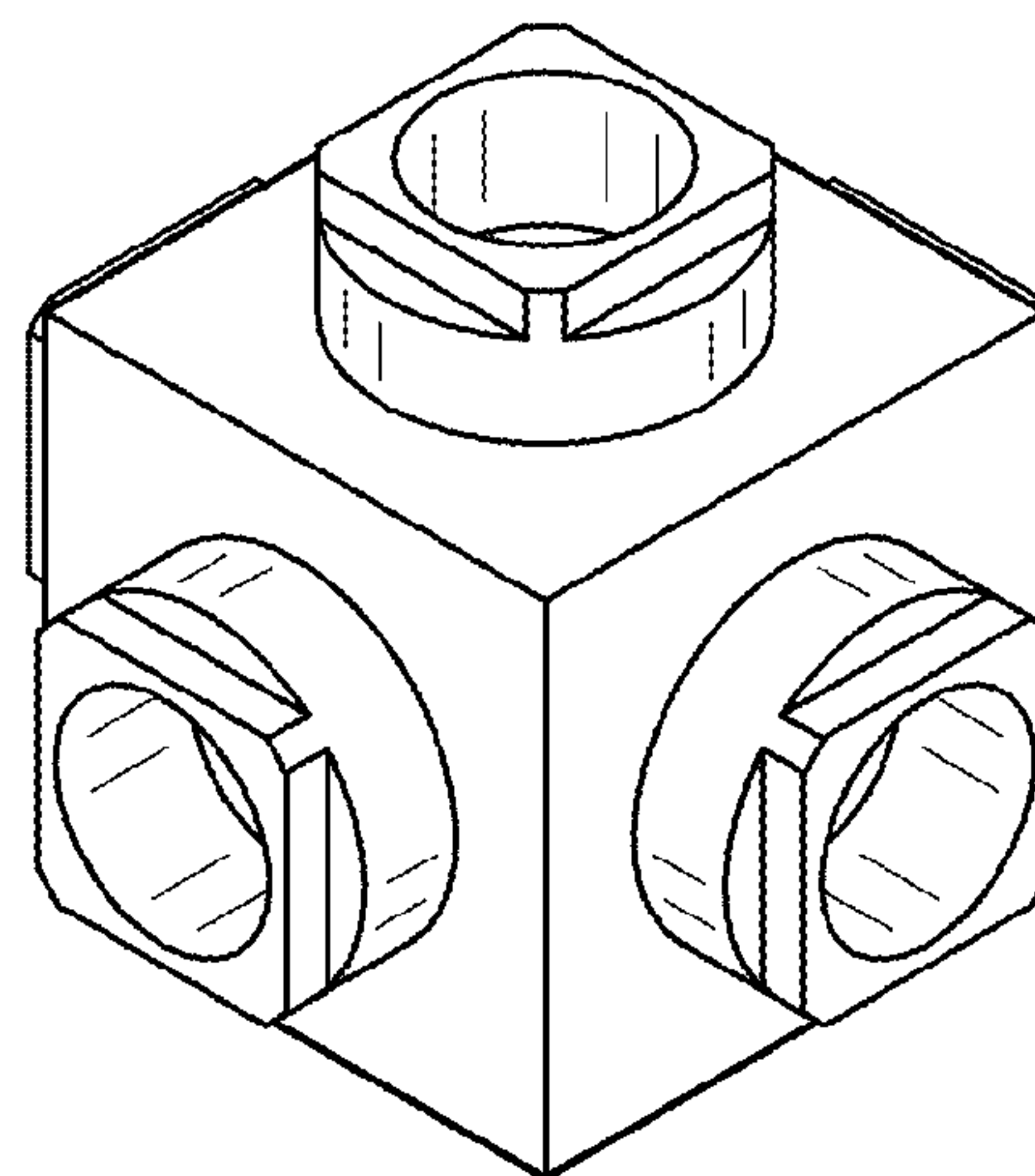
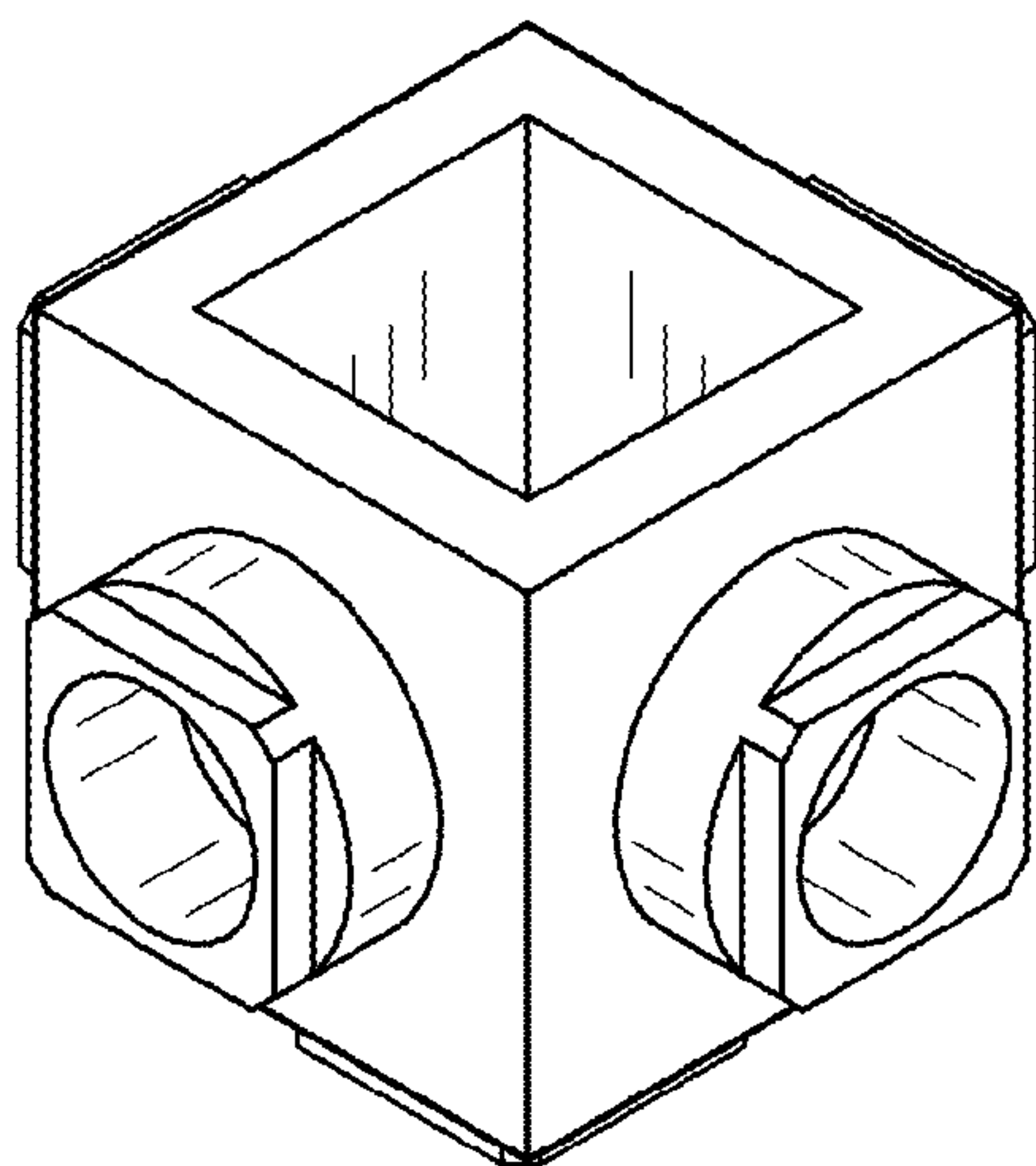
The ornamental design for a toy building brick, as shown and described.

DESCRIPTION

FIG. 1 is a top isometric view of a toy building brick showing my new design;
 FIG. 2 is a bottom isometric view of the toy building brick;
 FIG. 3 is a right side view of the toy building brick, a left side view being a mirror image thereof;
 FIG. 4 is a top view of the toy building brick;
 FIG. 5 is a bottom view of the toy building brick; and,
 FIG. 6 is a cross-sectional view of the toy building brick taken along line 6-6 of FIG. 3 to illustrate a depth of an opening extending into the toy building brick.

1 Claim, 2 Drawing Sheets

- (56) **References Cited**
U.S. PATENT DOCUMENTS
- D272,256 S * 1/1984 Chatani D21/499
- D296,342 S * 6/1988 Knudsen D21/499
- D336,666 S * 6/1993 Knudsen D21/501
- D346,627 S * 5/1994 Bach D21/501
- 5,826,394 A * 10/1998 Barton, Jr. A63H 33/044 52/592.1
- 5,924,906 A * 7/1999 Grafton A63H 33/10 411/339
- D422,036 S * 3/2000 Laserna Fernandez D21/499



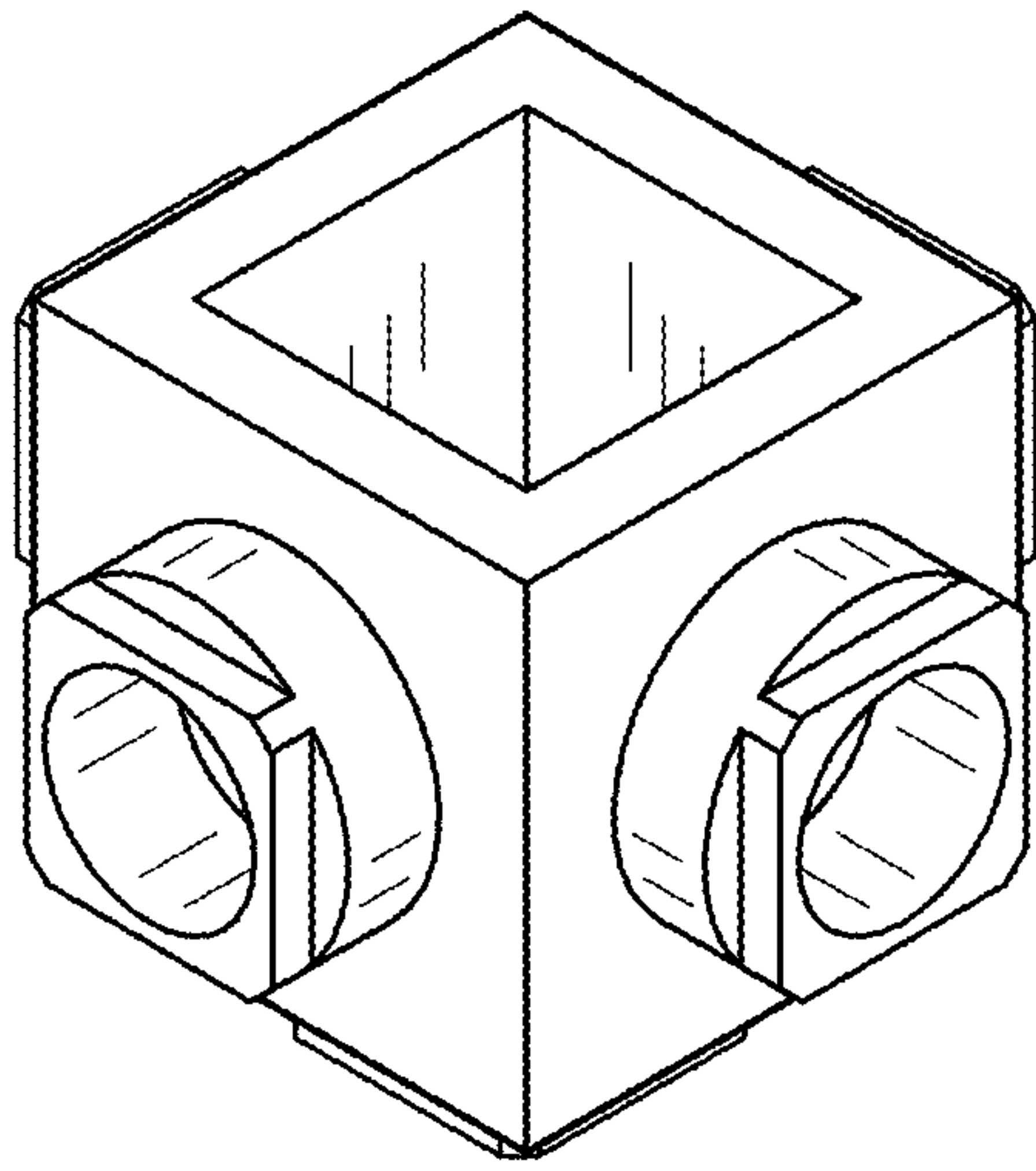


FIG. 1

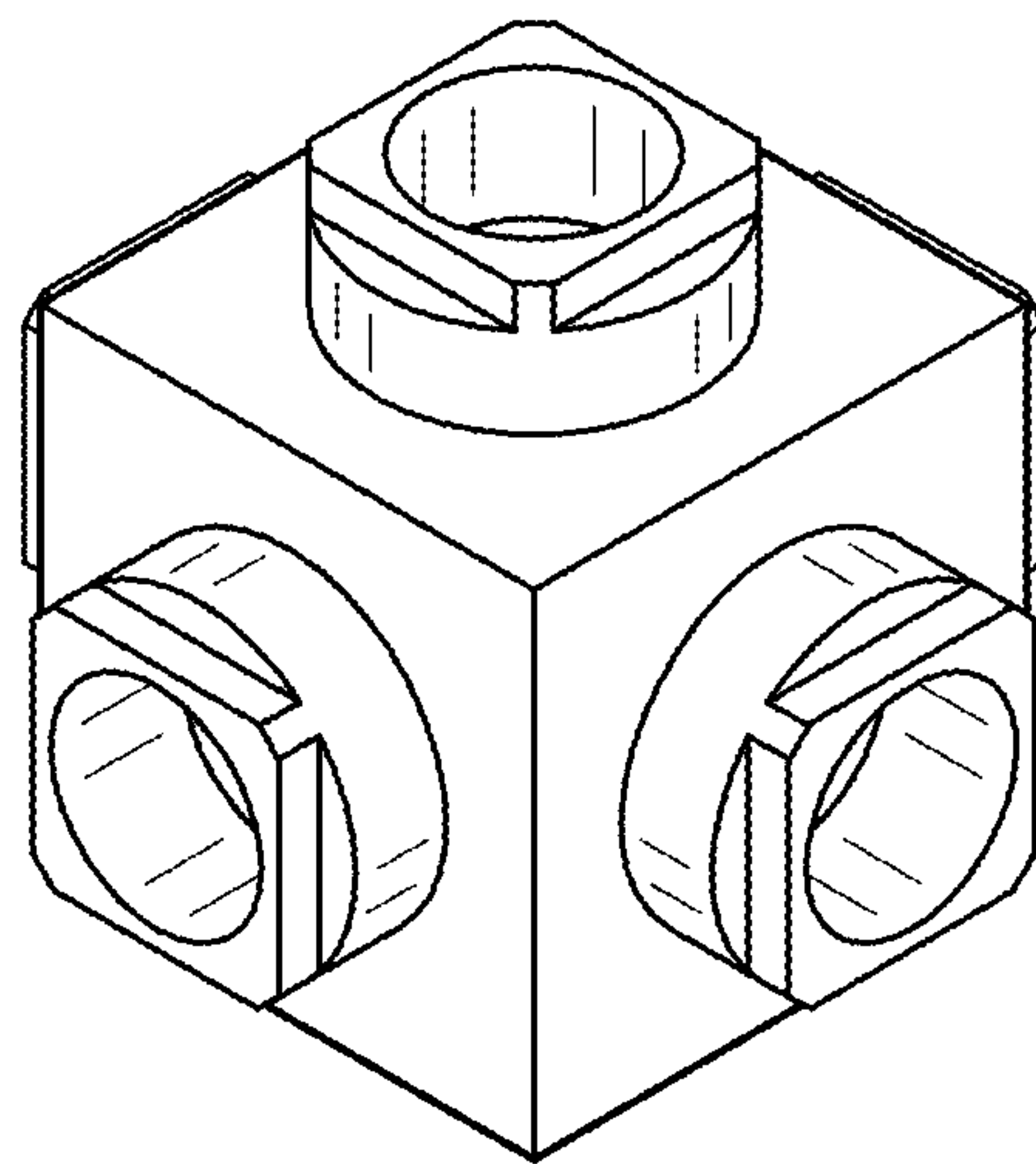


FIG. 2

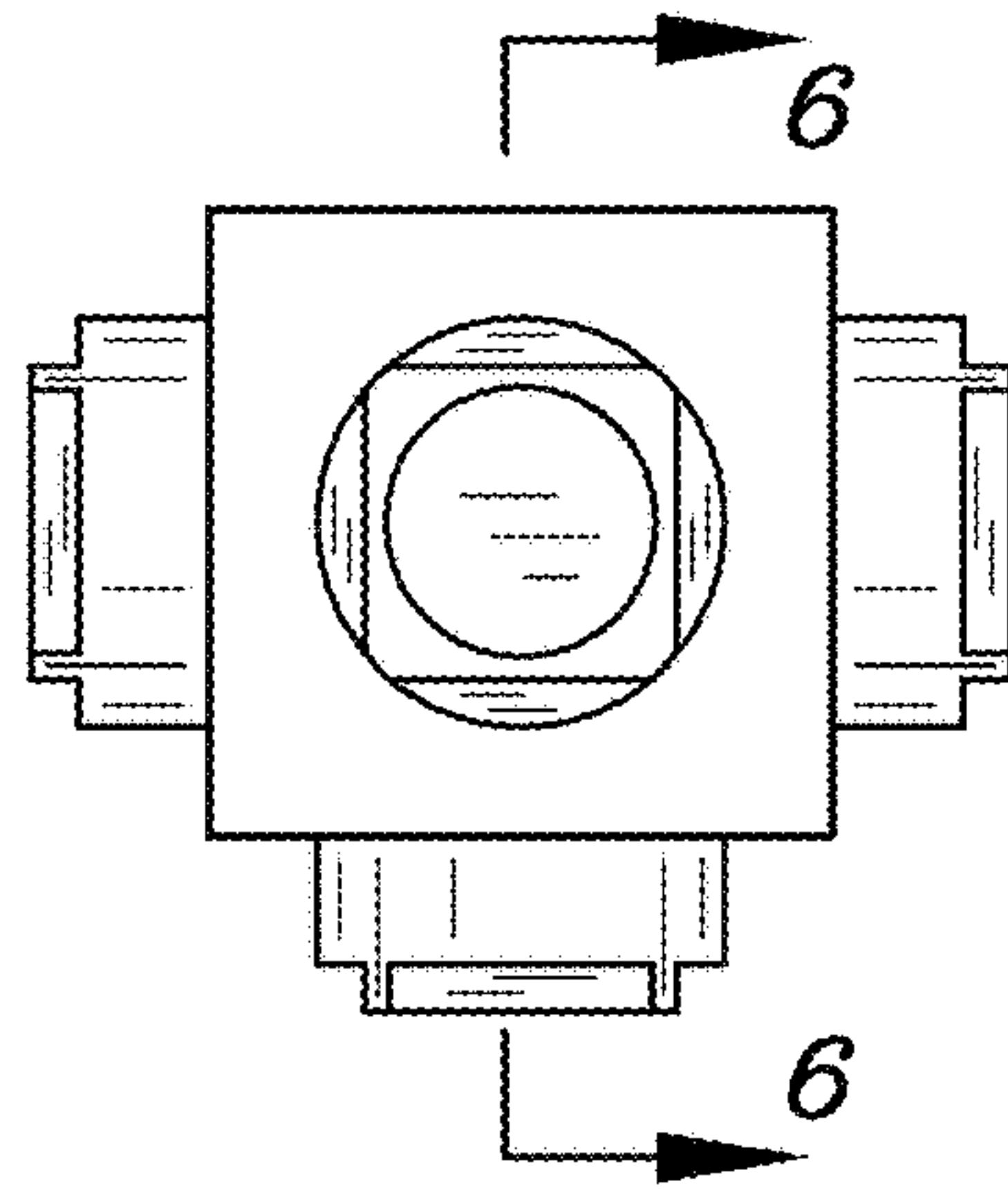


FIG. 3

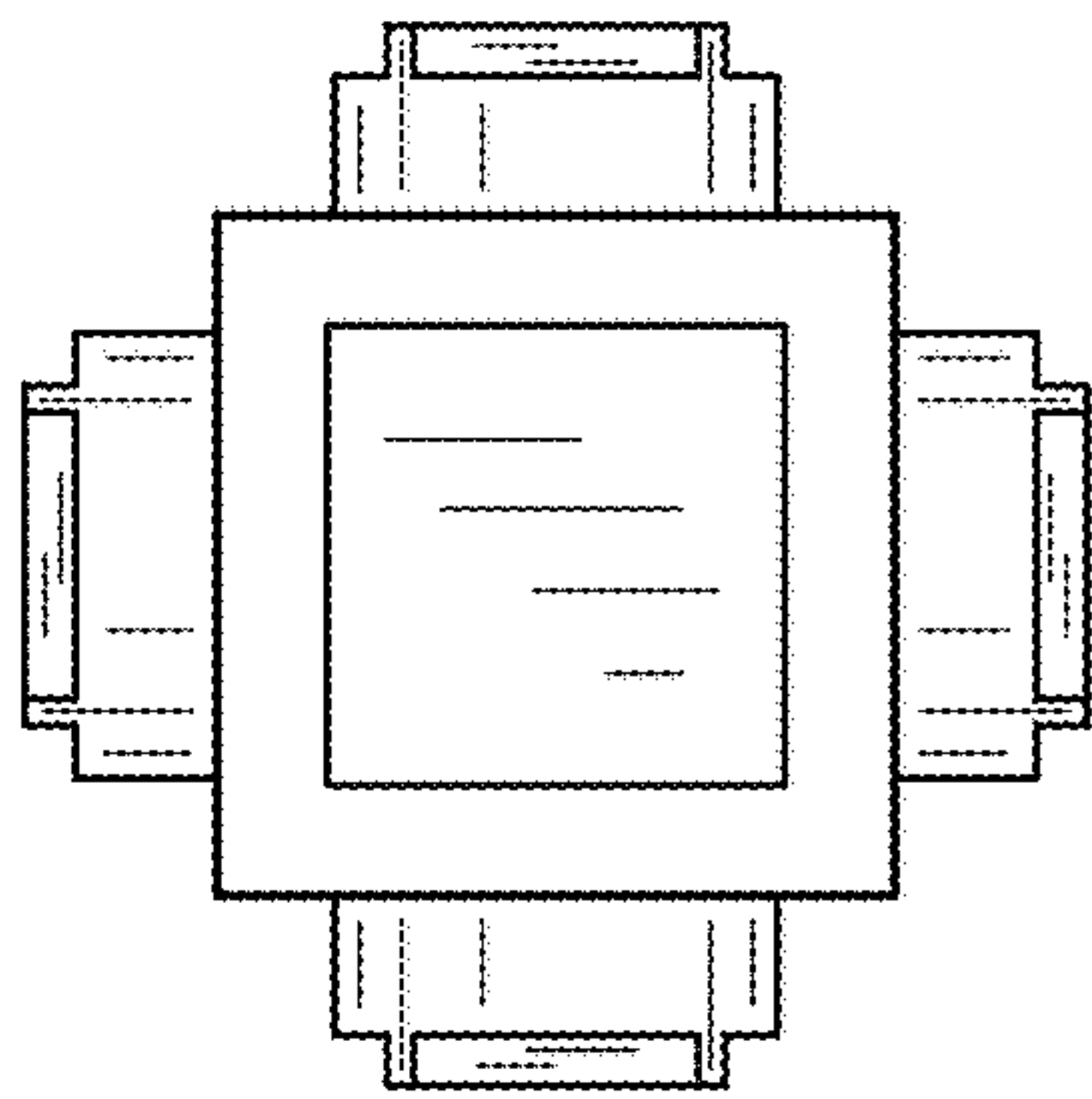


FIG. 4

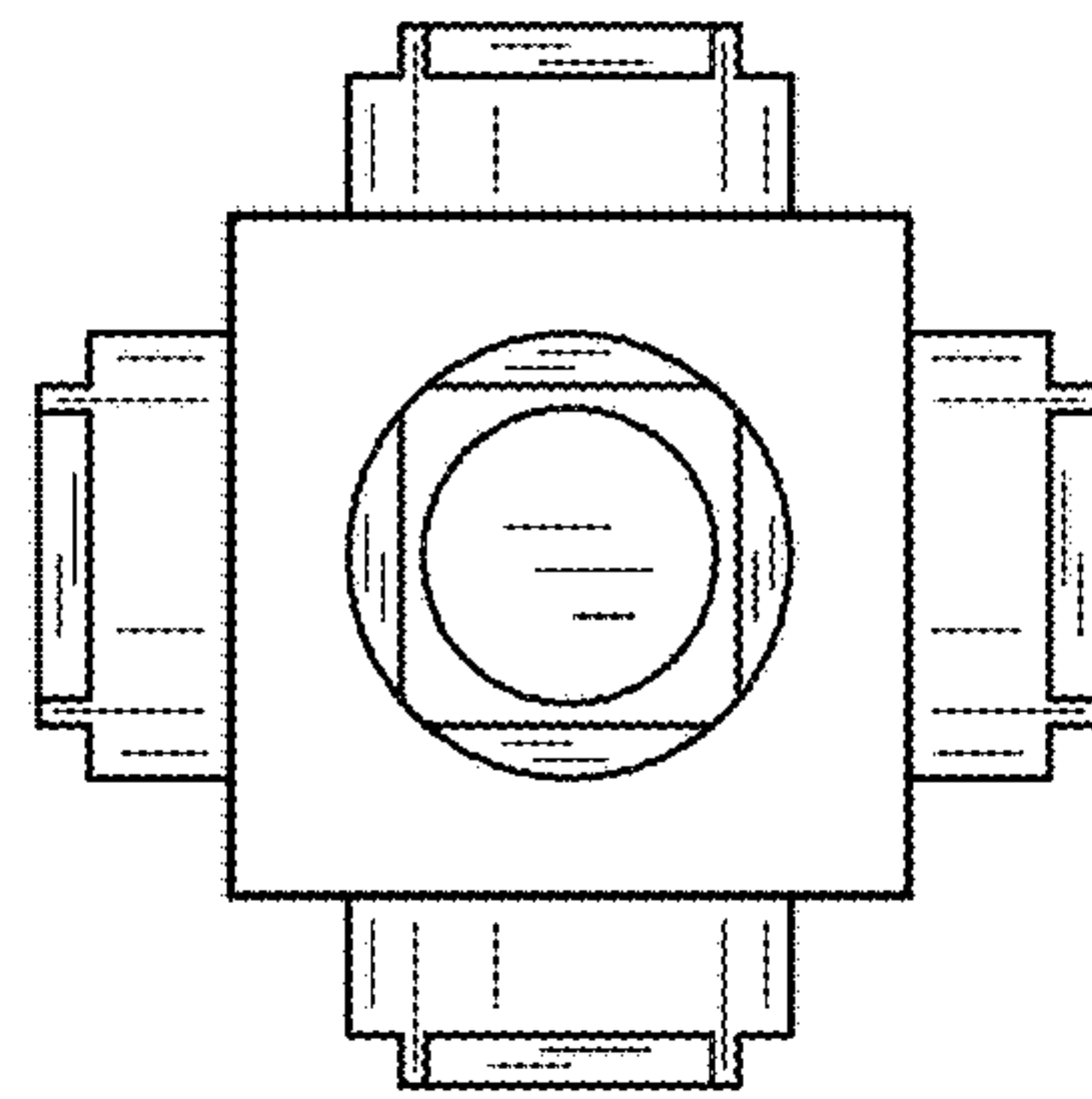


FIG. 5

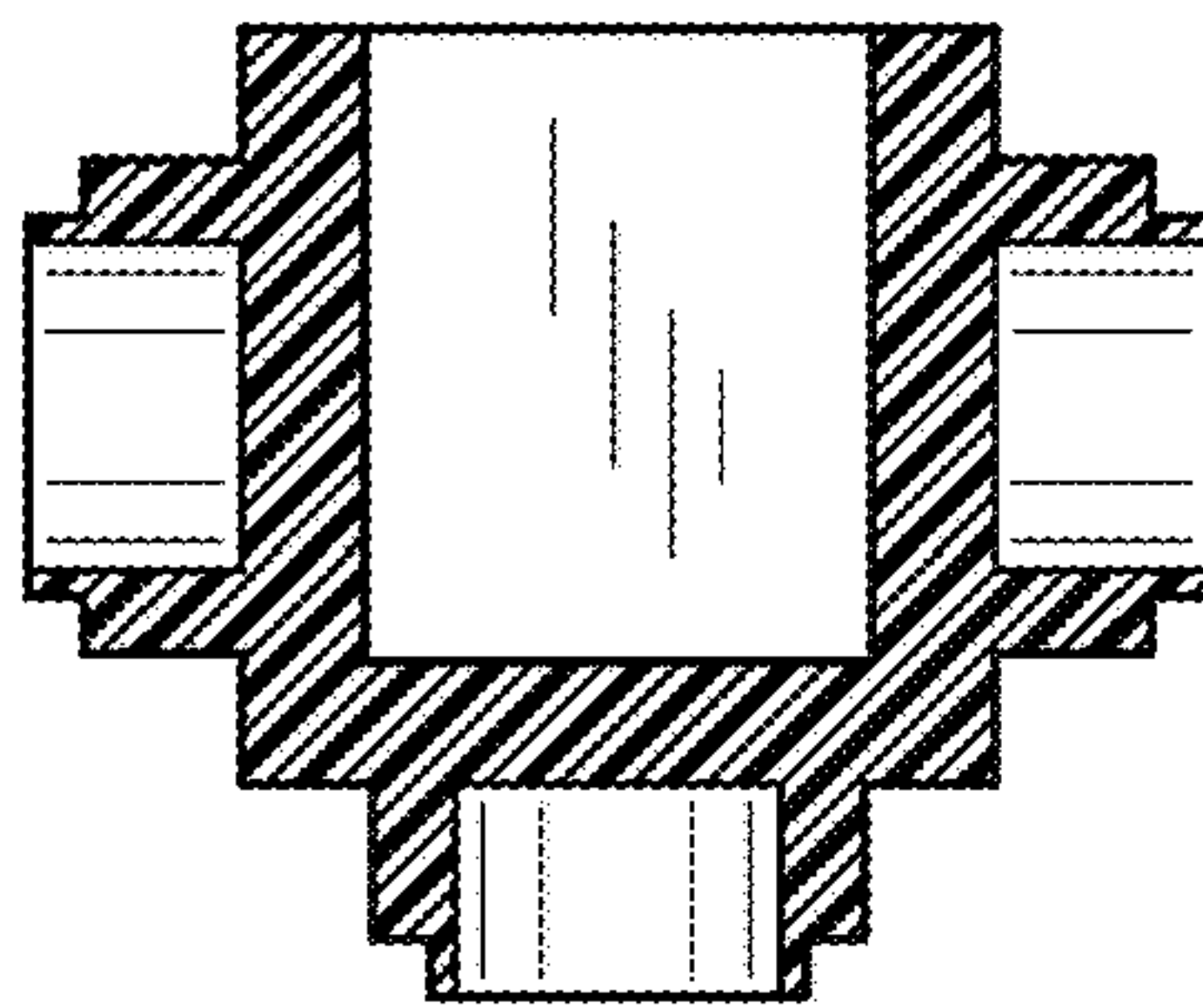


FIG. 6