



US00D833541S

(12) **United States Design Patent**
Barwald et al.

(10) **Patent No.:** **US D833,541 S**

(45) **Date of Patent:** **** Nov. 13, 2018**

- (54) **TOY BUILDING BRICK**
- (71) Applicant: **Brian's Toys Inc.**, Fountain City, WI (US)
- (72) Inventors: **Dustin A. Barwald**, Winona, MN (US);
Joshua M. Cherry, Winona, MN (US)
- (**) Term: **15 Years**
- (21) Appl. No.: **29/630,864**
- (22) Filed: **Dec. 22, 2017**
- (51) **LOC (11) Cl.** **21-01**
- (52) **U.S. Cl.**
USPC **D21/491**
- (58) **Field of Classification Search**
USPC D21/386, 389, 404, 468, 470, 471,
D21/484-505; D25/113-115
CPC A63H 33/00; A63H 33/04; A63H 33/044;
A63H 33/06; A63H 33/08; A63H 33/084;
A63H 33/086; A63H 33/088; A63H
33/10; A63H 33/12; A63H 33/105; A63H
33/108; A63H 3/00; A63H 3/16; A63H
3/46; E04C 1/00; E04C 1/40; E04B 2/14;
E04B 2/16; E04B 2/18
See application file for complete search history.

- (56) **References Cited**
U.S. PATENT DOCUMENTS
3,220,141 A * 11/1965 Goss, III A63H 33/084
446/117
D344,302 S * 2/1994 Plagborg D21/491
D362,473 S * 9/1995 Lyman D21/489

- 5,871,384 A * 2/1999 Kichijo A63H 33/062
446/112
- 6,675,517 B1 * 1/2004 Chia G09F 7/08
40/611.01
- D605,235 S * 12/2009 Julich D21/485
- D617,396 S * 6/2010 Nielsen D21/500
- D652,087 S * 1/2012 Dawes D21/489
- 9,345,981 B1 * 5/2016 Lama A63H 33/086
- D777,265 S * 1/2017 Marcil D21/491
- 9,759,250 B2 * 9/2017 Anseth F16B 21/09
- 2005/0104291 A1 * 5/2005 Levinson A63F 3/00097
273/258
- 2010/0192435 A1 * 8/2010 Miscamble G09B 21/003
40/618
- 2013/0330999 A1 * 12/2013 Ryaa A63H 33/042
446/124

* cited by examiner

Primary Examiner — Cynthia M. Chin

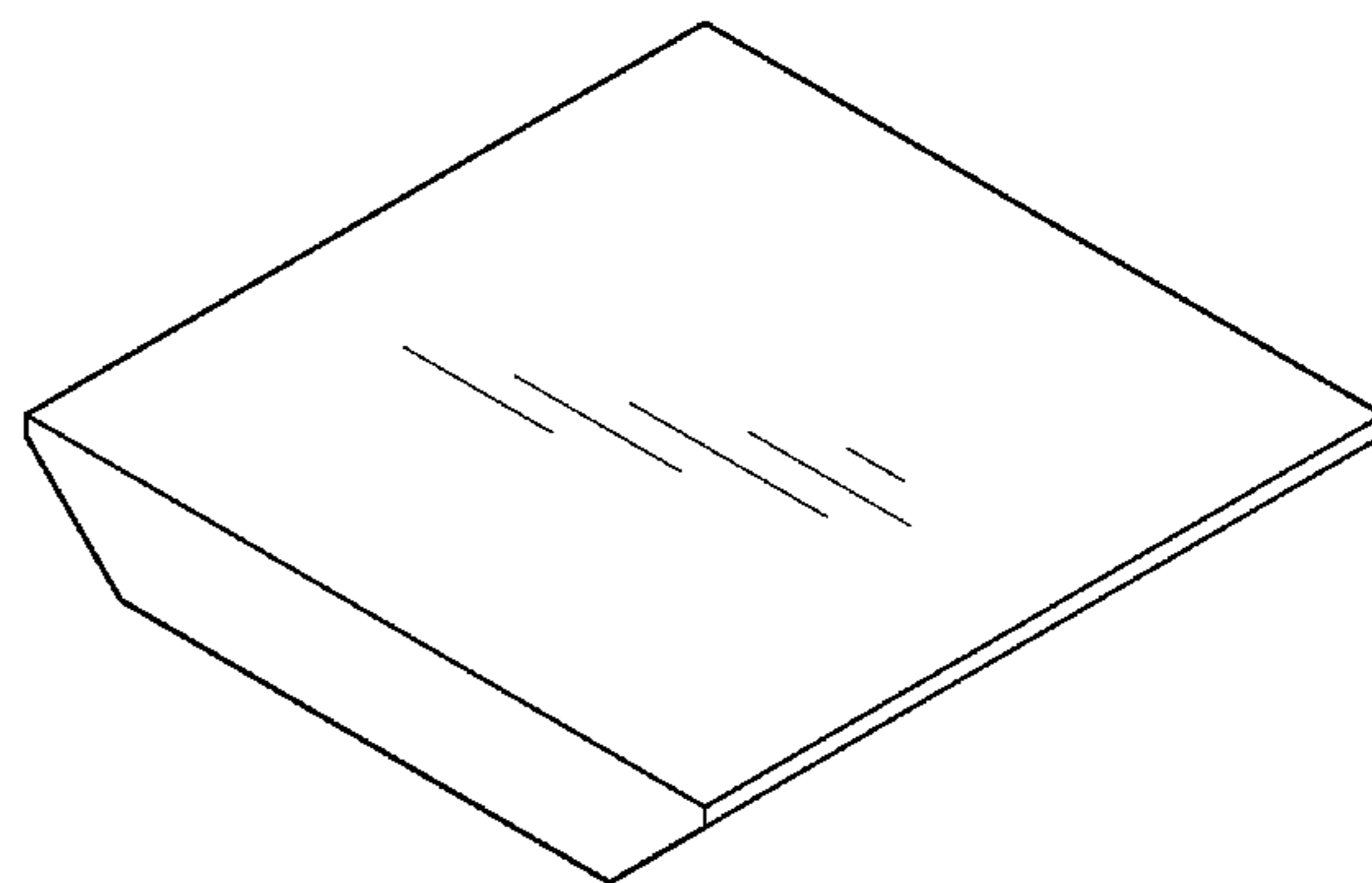
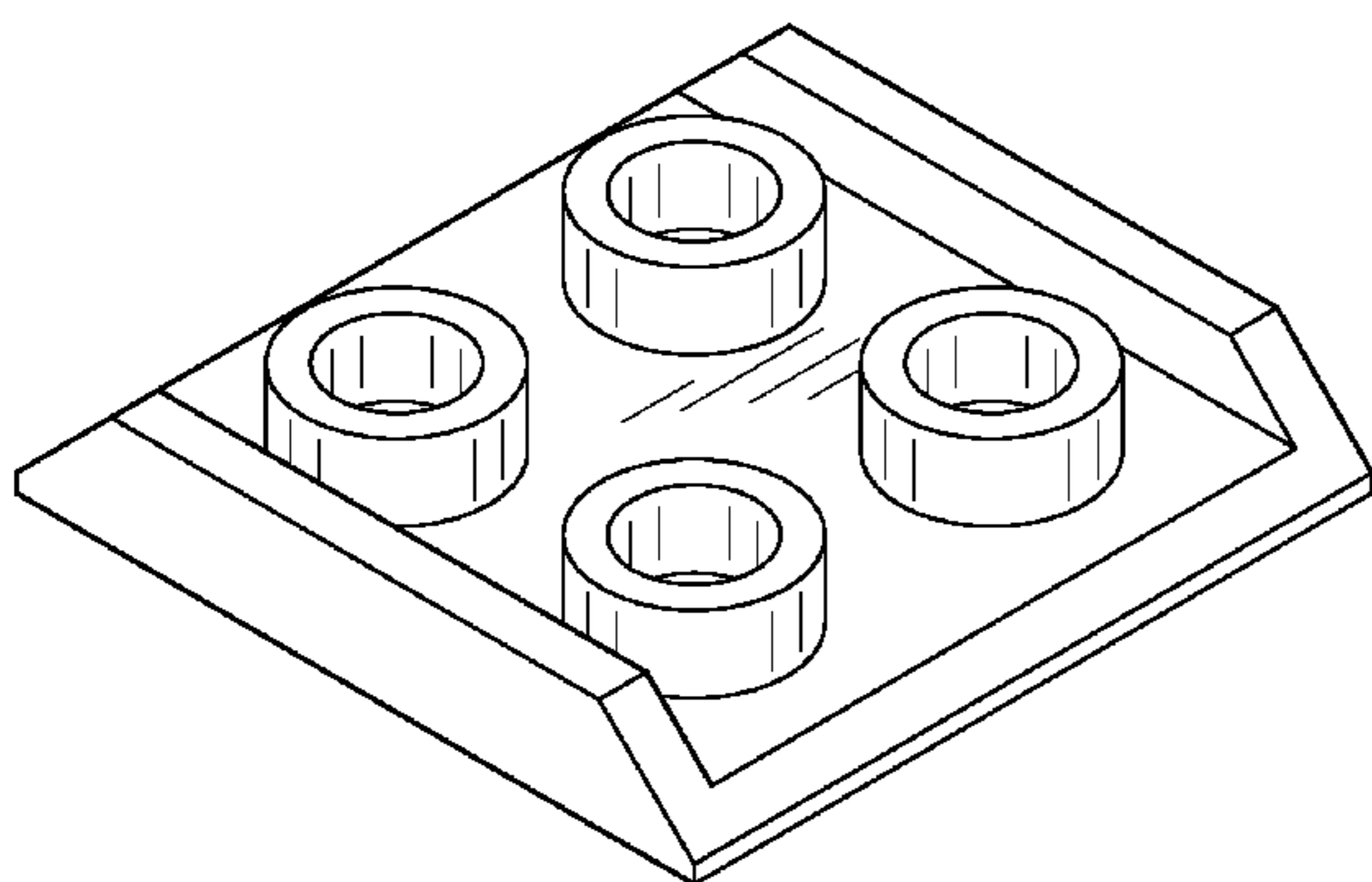
(57) **CLAIM**

The ornamental design for a toy building brick, as shown and described.

DESCRIPTION

FIG. 1 is a bottom isometric view of a toy building brick showing my new design;
 FIG. 2 is a top isometric view of the toy building brick;
 FIG. 3 is a front view of the toy building brick, a rear view being a mirror image thereof;
 FIG. 4 is a right side view of the toy building brick, a left side view being a mirror image thereof;
 FIG. 5 is a bottom view of the toy building brick; and,
 FIG. 6 is a top view of the toy building brick.

1 Claim, 3 Drawing Sheets



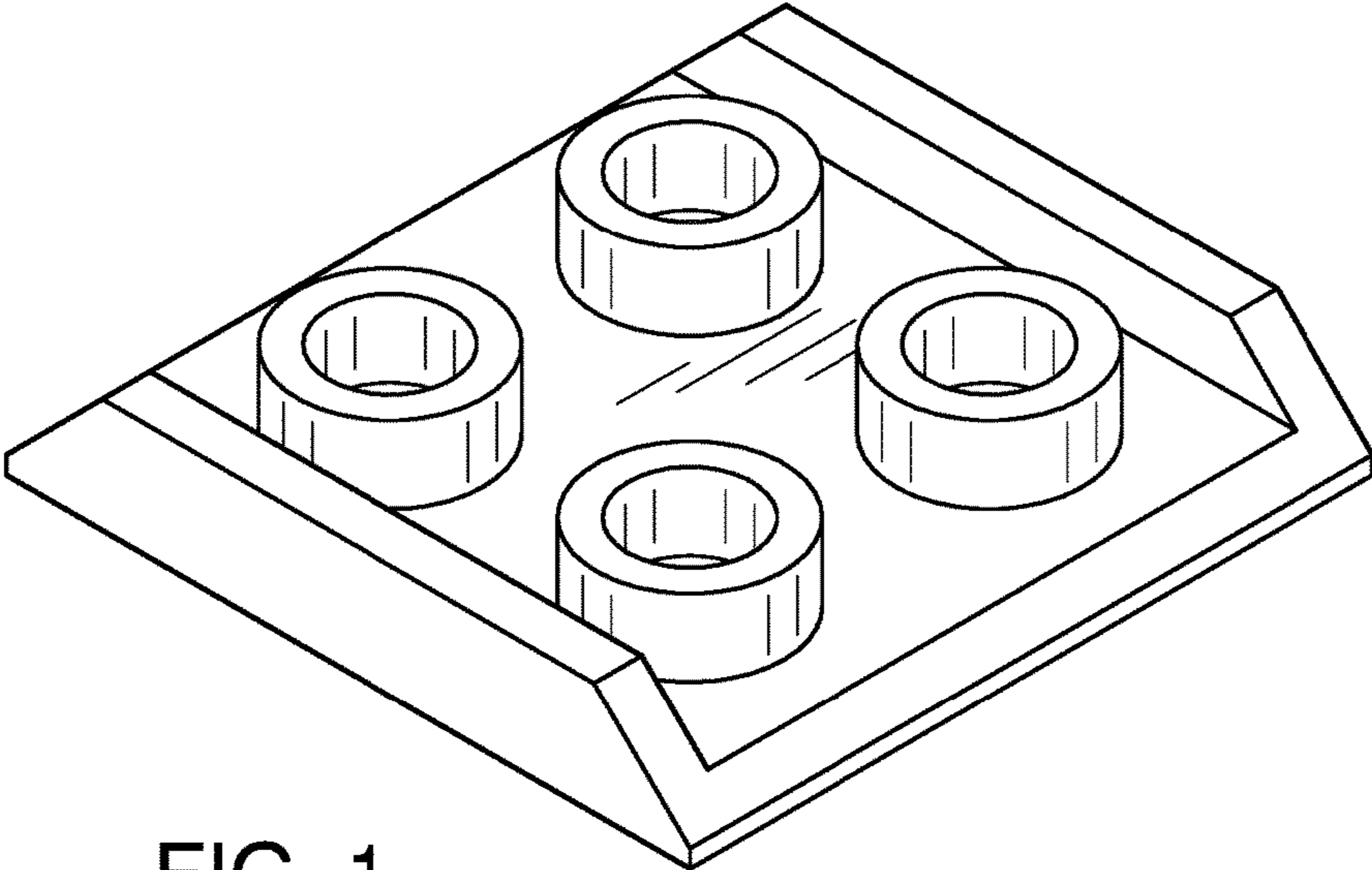


FIG. 1

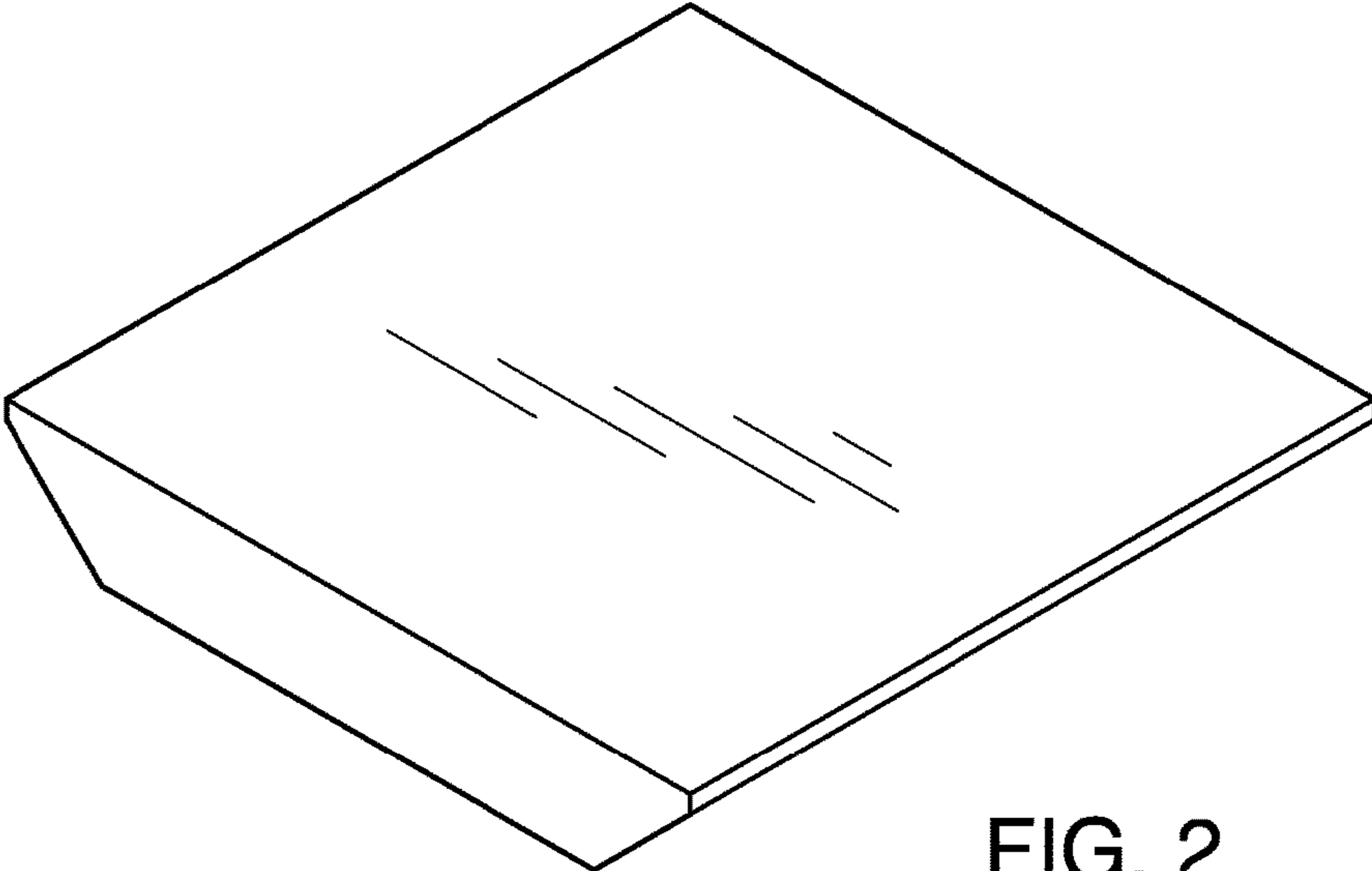


FIG. 2

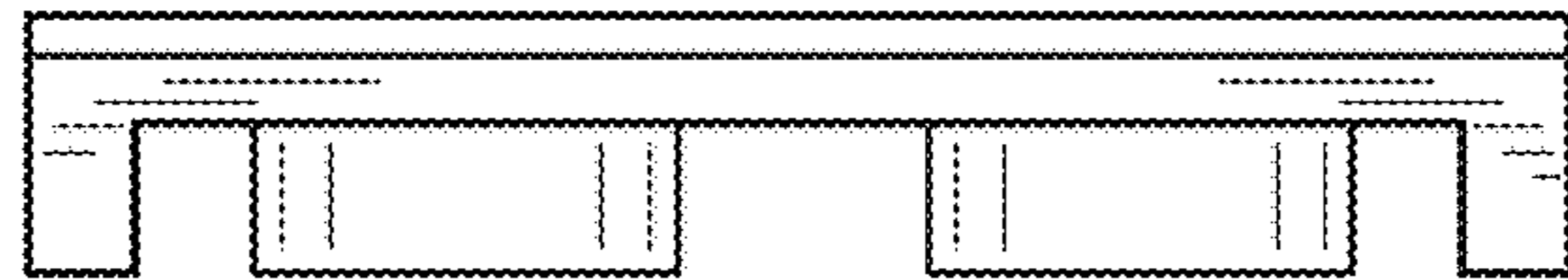


FIG. 3

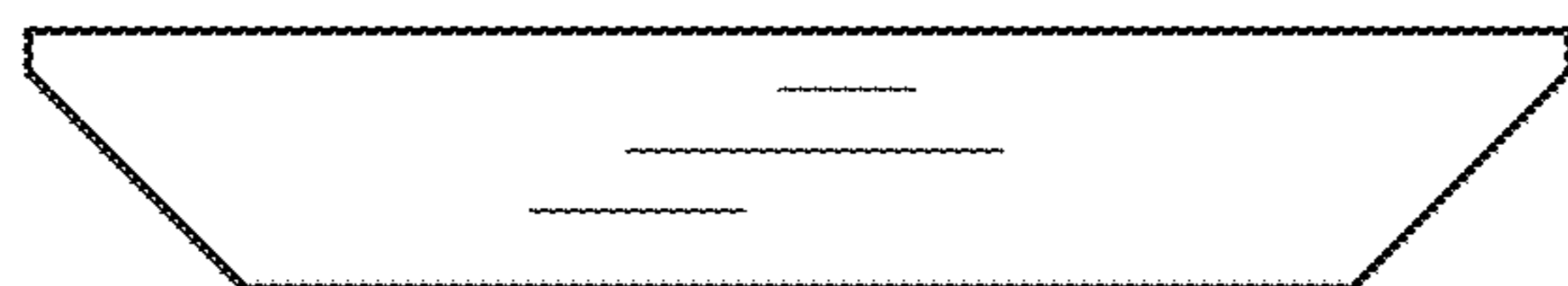


FIG. 4

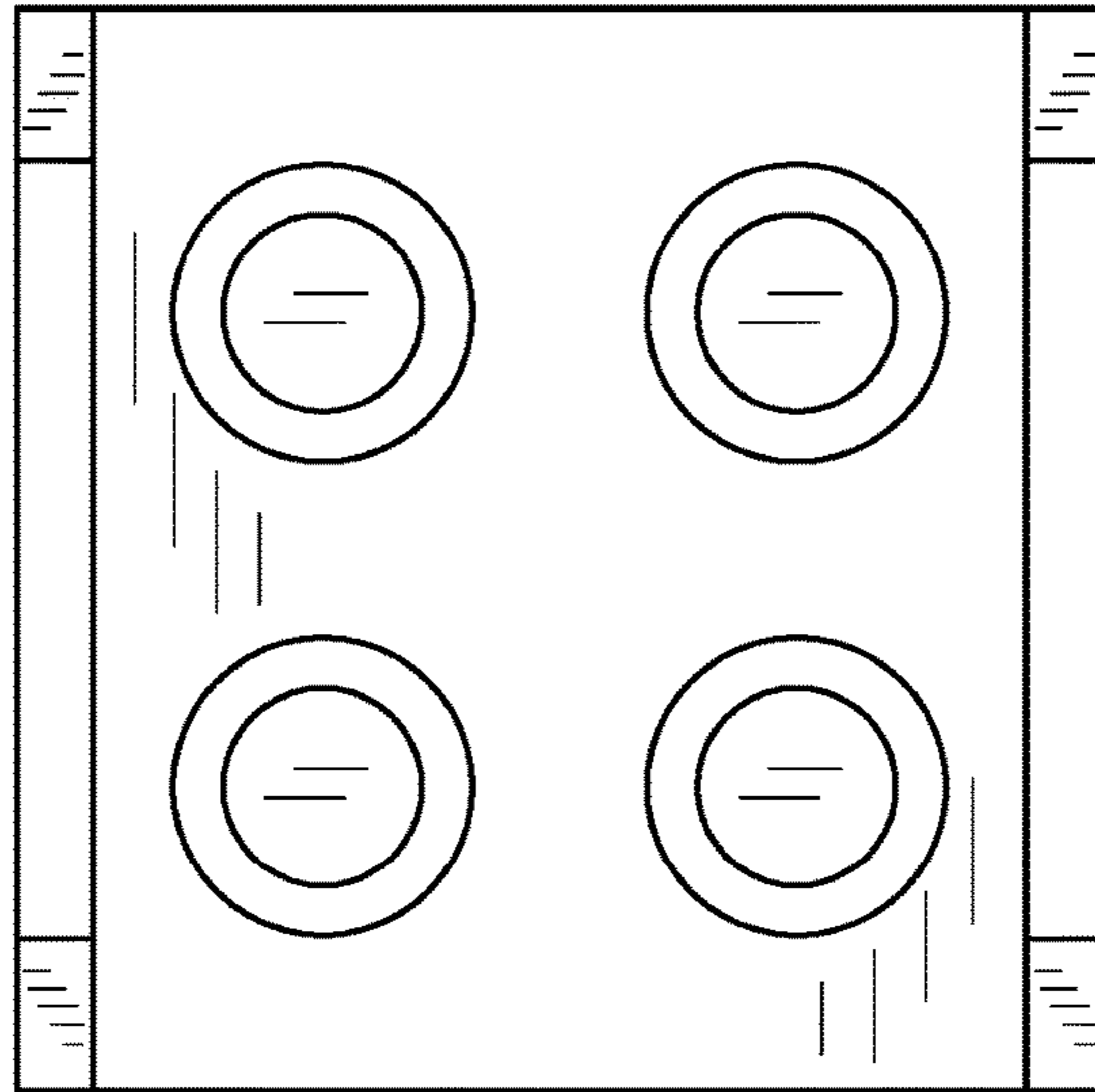


FIG. 5

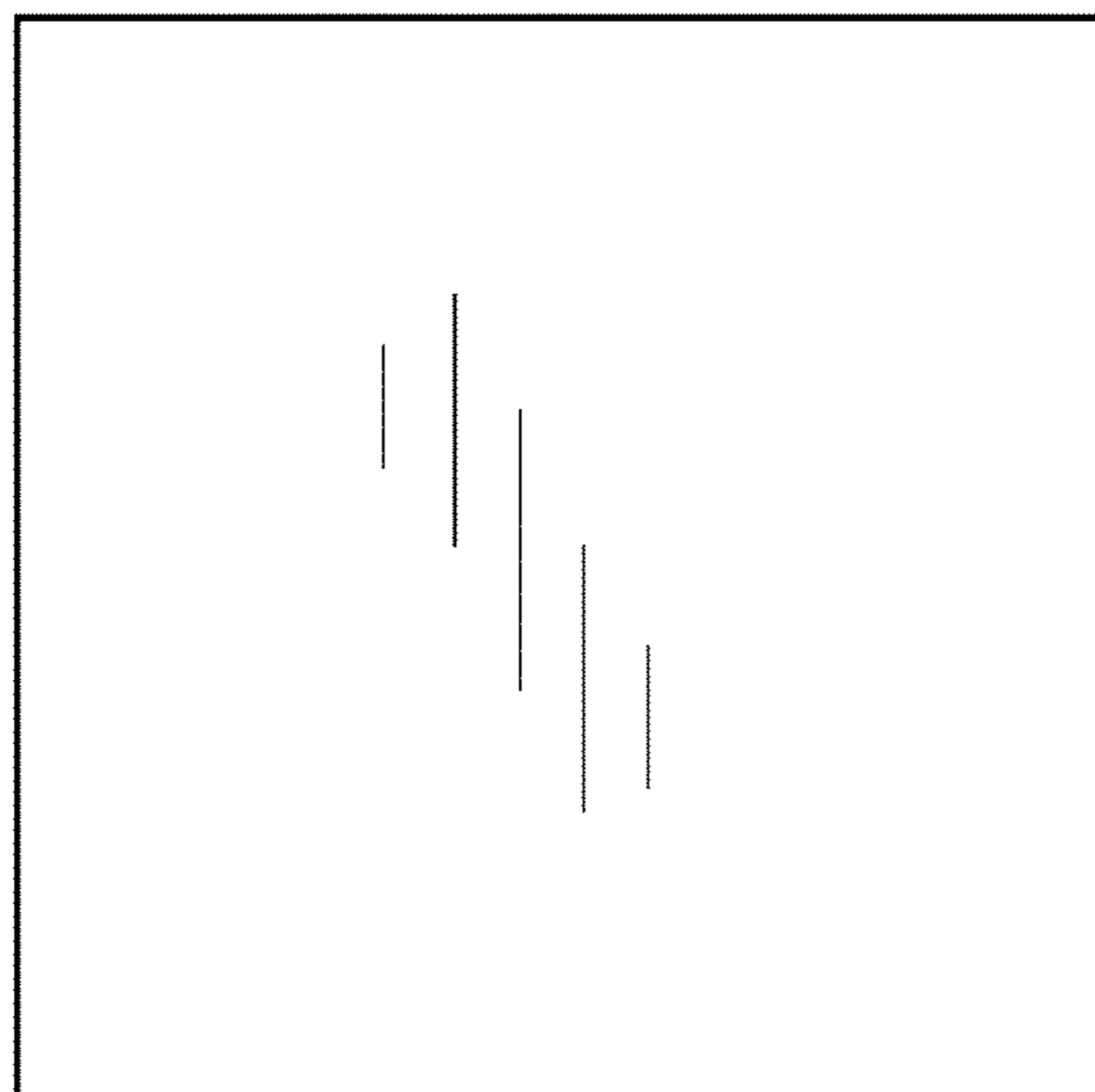


FIG. 6