



US00D833540S

(12) **United States Design Patent** (10) **Patent No.:** **US D833,540 S**
Zhang et al. (45) **Date of Patent:** **** Nov. 13, 2018**

(54) **TOY BRICK**

(71) Applicant: **Shanghai Putao Technology Co., Ltd.**,
Shanghai (CN)

(72) Inventors: **Xiang Zhang**, Shanghai (CN); **Di Peng**,
Shanghai (CN); **Zhaolong Li**, Shanghai
(CN); **Shaohua Zhang**, Shanghai (CN);
Benchao Xiao, Shanghai (CN)

(73) Assignee: **Shanghai Putao Technology Co., Ltd.**,
Shanghai (CN)

(**) Term: **15 Years**

(21) Appl. No.: **29/621,287**

(22) Filed: **Oct. 6, 2017**

(30) **Foreign Application Priority Data**

Apr. 10, 2017 (CN) 2017 3 0114398

(51) **LOC (11) Cl.** **21-01**

(52) **U.S. Cl.**
USPC **D21/486**

(58) **Field of Classification Search**

USPC D21/386, 389, 404, 468, 470, 471,
D21/484–505; 446/69, 85, 102–128;
434/208, 259, 403; 273/153, 156, 160;
D25/113–116, 118

CPC A63H 33/00; A63H 33/04; A63H 33/06;
A63H 33/08; A63H 33/084; A63H
33/086; A63H 33/088; A63H 33/10;
A63H 33/105; A63H 33/108; A63H
33/52; A63H 3/00; A63H 3/16; A63H
3/46

See application file for complete search history.

(56) **References Cited**

U.S. PATENT DOCUMENTS

D284,393	S	*	6/1986	Kassai	D21/486
D290,721	S	*	7/1987	Ryaa	D21/484
D359,999	S	*	7/1995	Schmidt	D21/486
D374,257	S	*	10/1996	Schmidt	D21/486
D426,588	S	*	6/2000	Glickman	D21/486
D564,044	S	*	3/2008	Rolf	D21/486
D706,363	S	*	6/2014	Norman	D21/486
D786,364	S	*	5/2017	Richards	D21/484
2004/0154256	A1	*	8/2004	Kim	E04B 2/08 52/592.6

* cited by examiner

Primary Examiner — Cynthia M. Chin

(74) *Attorney, Agent, or Firm* — Finnegan, Henderson,
Farabow, Garrett & Dunner, LLP

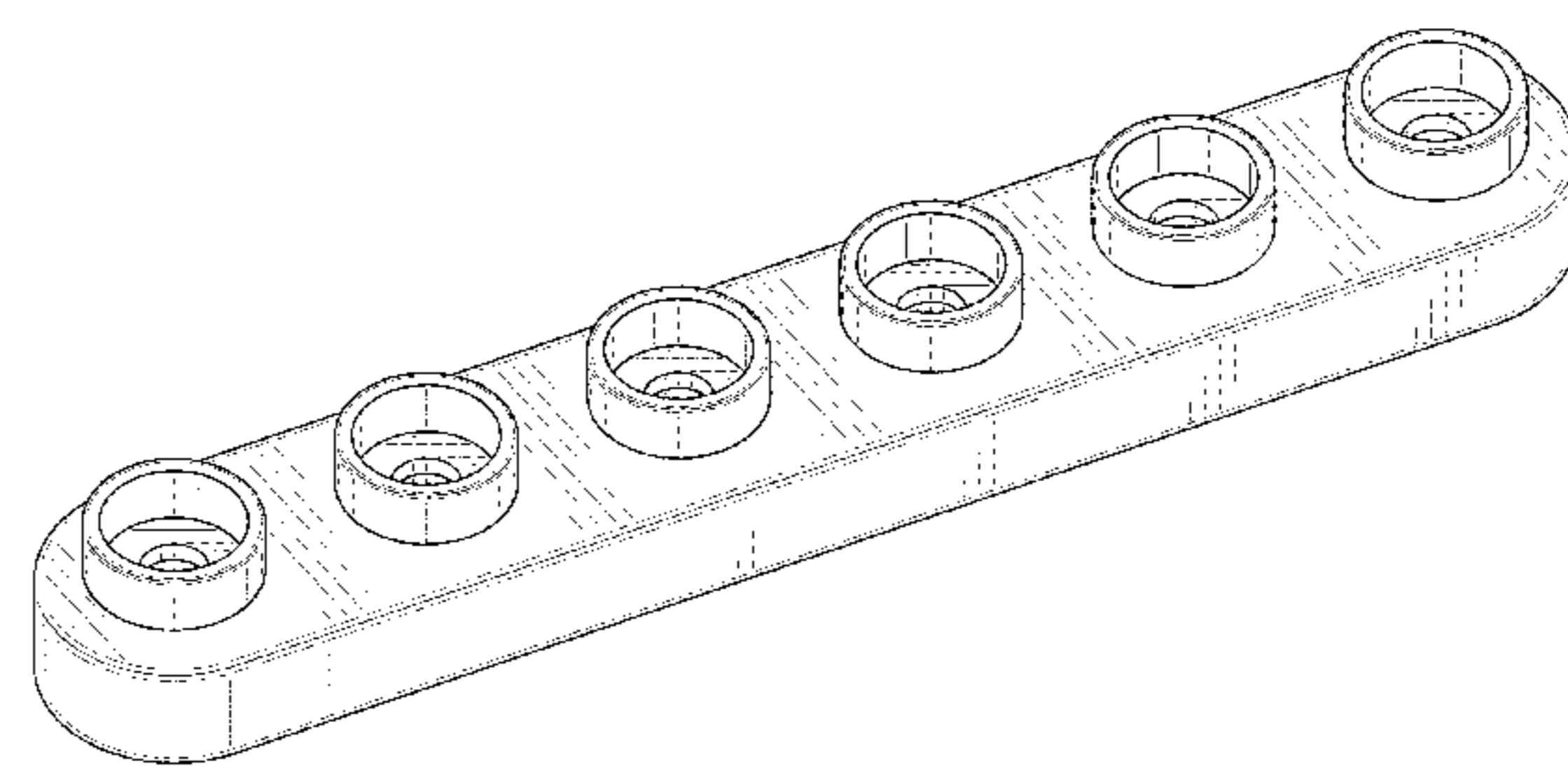
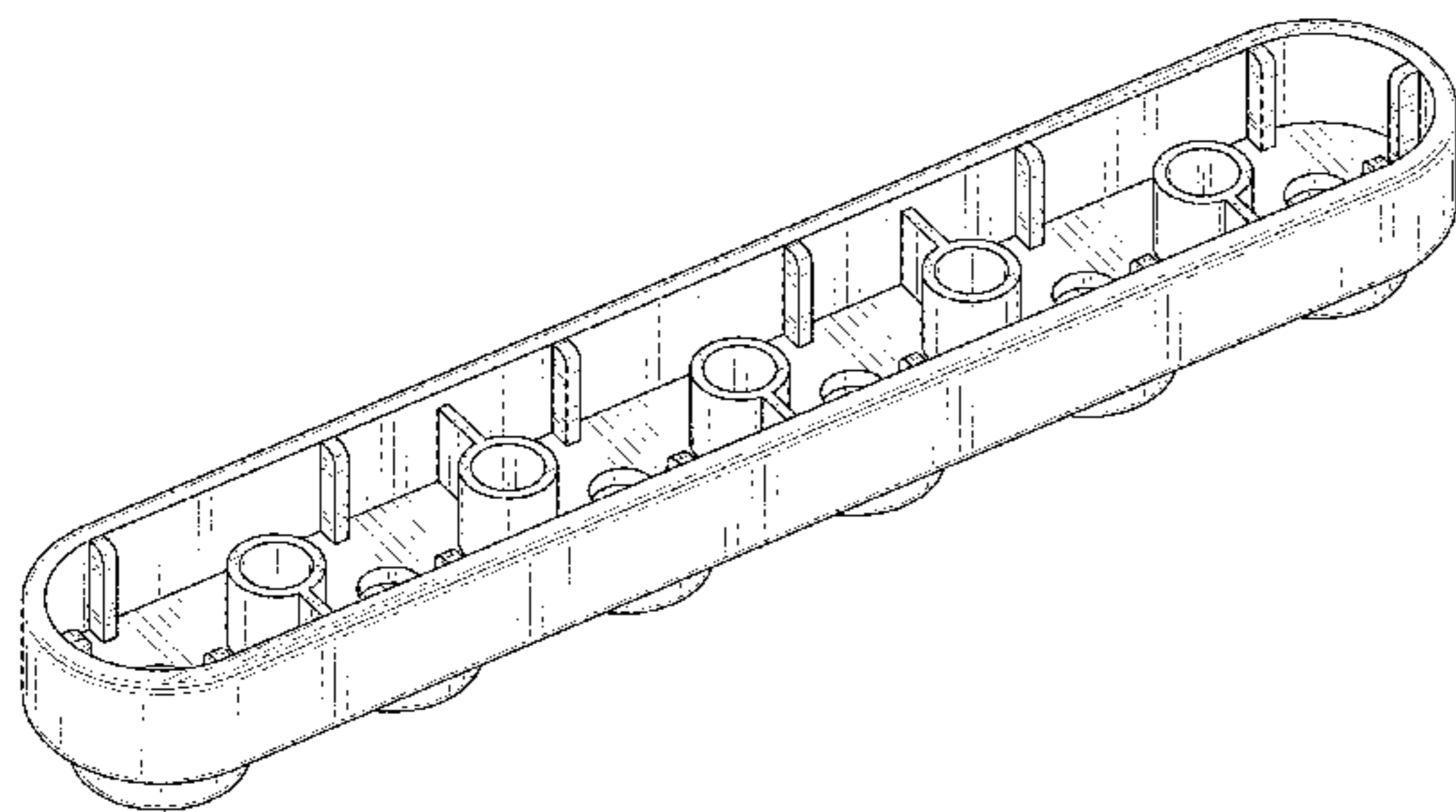
(57) **CLAIM**

The ornamental design for a toy brick, as shown and
described.

DESCRIPTION

FIG. 1 is a bottom, rear, left perspective view of a toy brick,
showing our new design;
FIG. 2 is a top, front, left perspective view thereof;
FIG. 3 a front elevation view thereof;
FIG. 4 is a rear elevation view thereof;
FIG. 5 is left side elevation view thereof;
FIG. 6 is right side elevation view thereof;
FIG. 7 is a top plan view thereof; and,
FIG. 8 is a bottom plan view thereof.

1 Claim, 8 Drawing Sheets



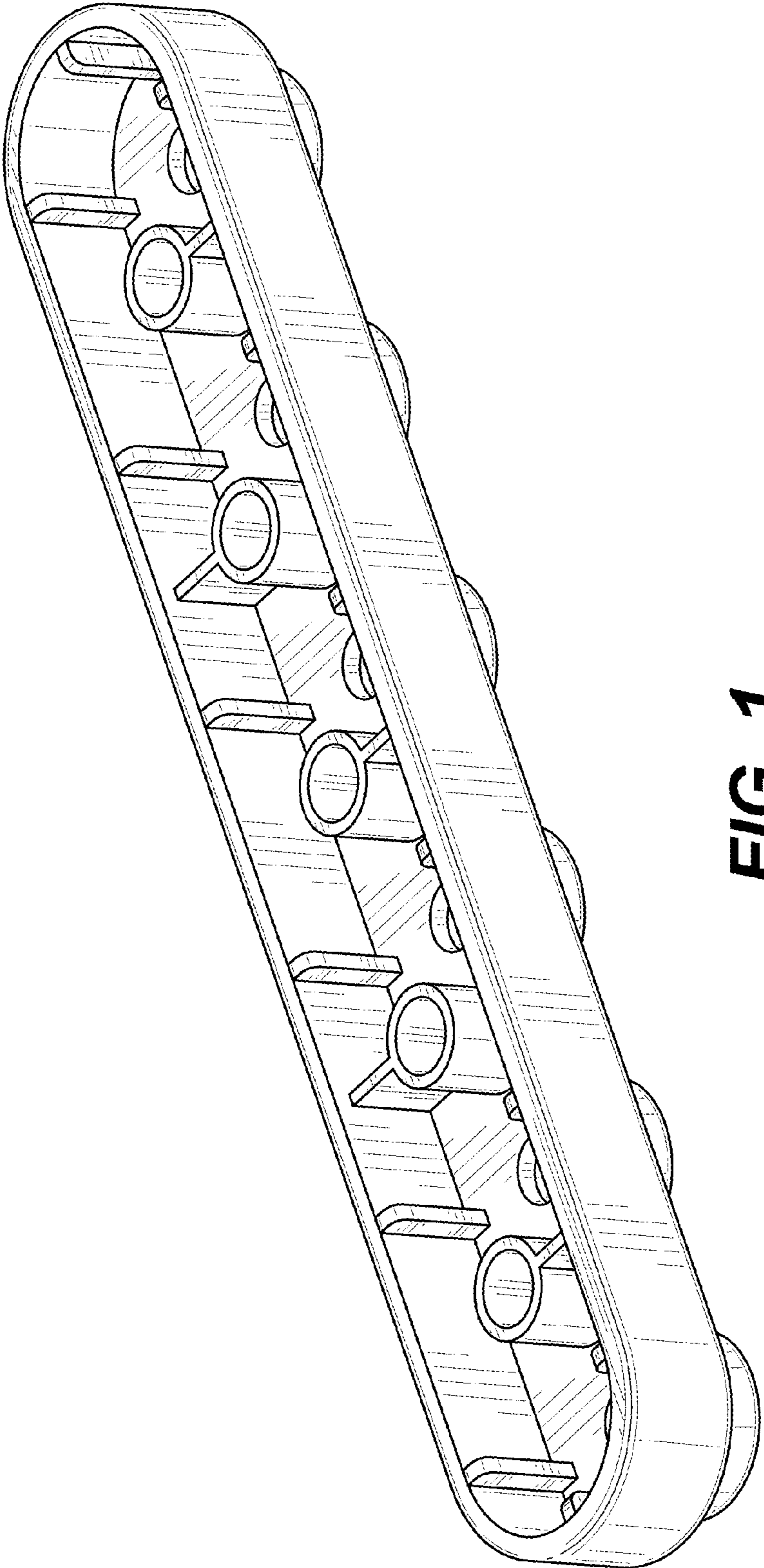


FIG. 1

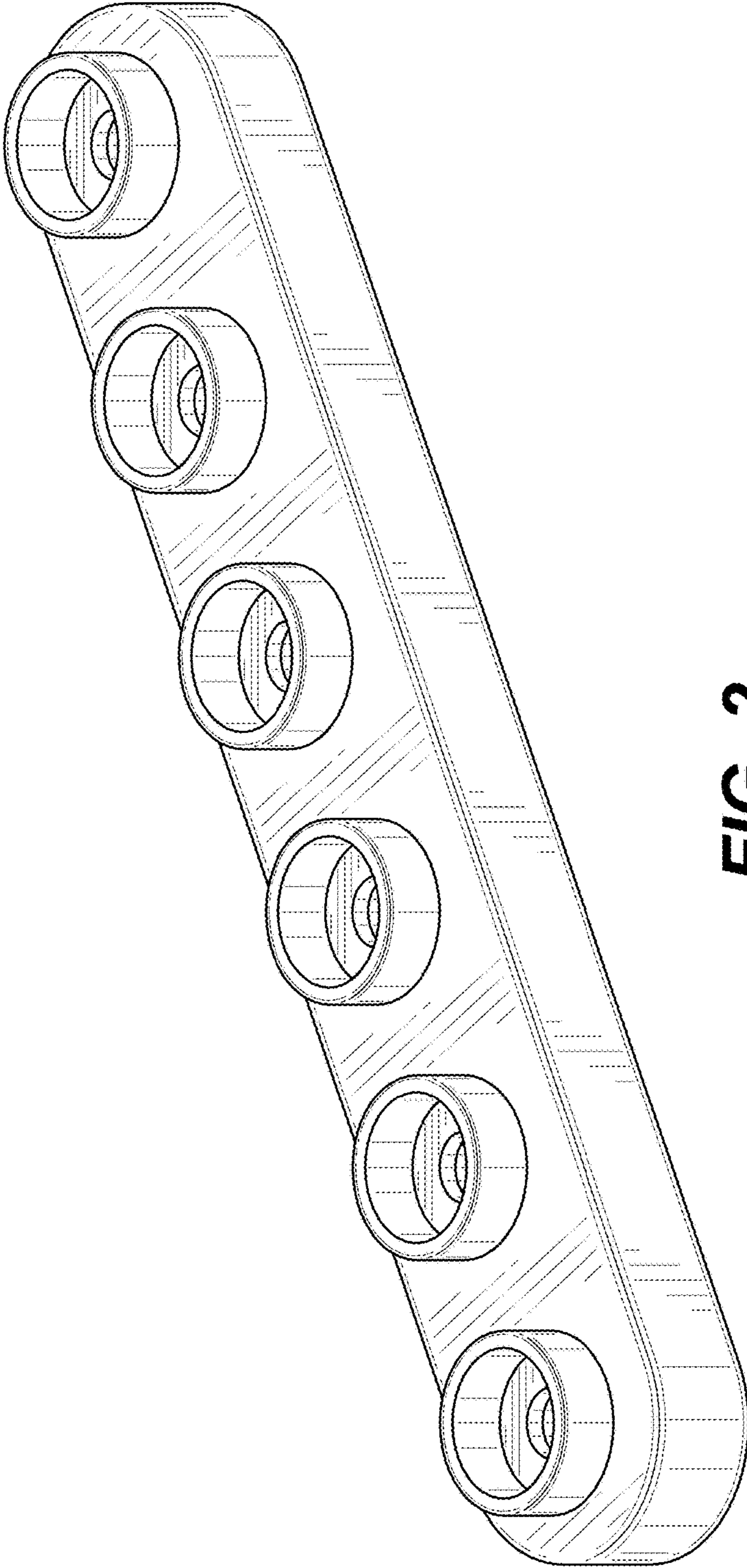


FIG. 2

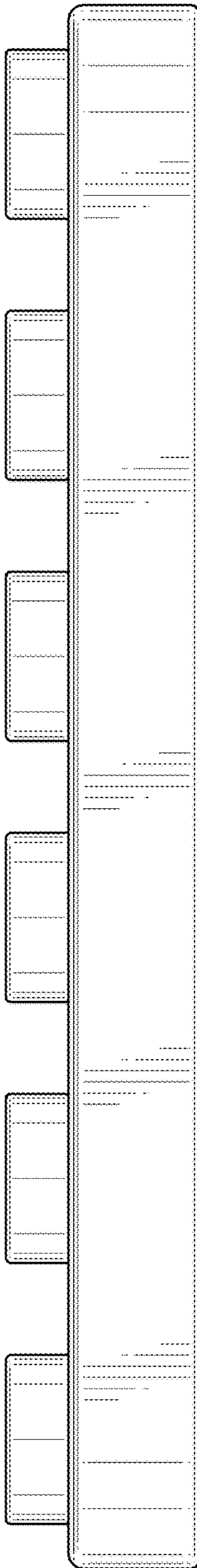


FIG. 3

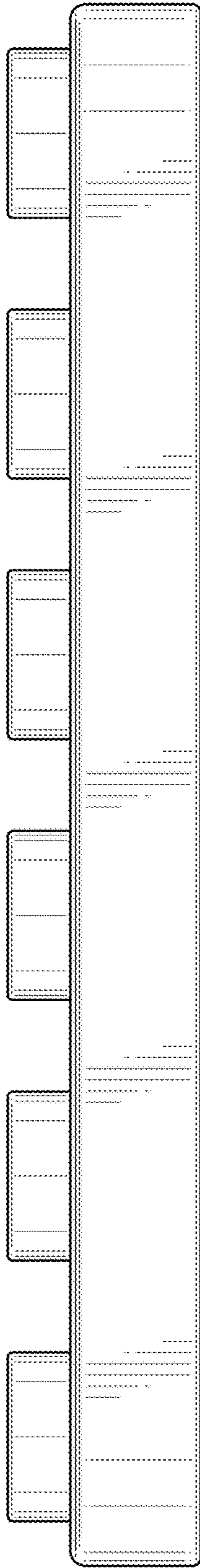


FIG. 4

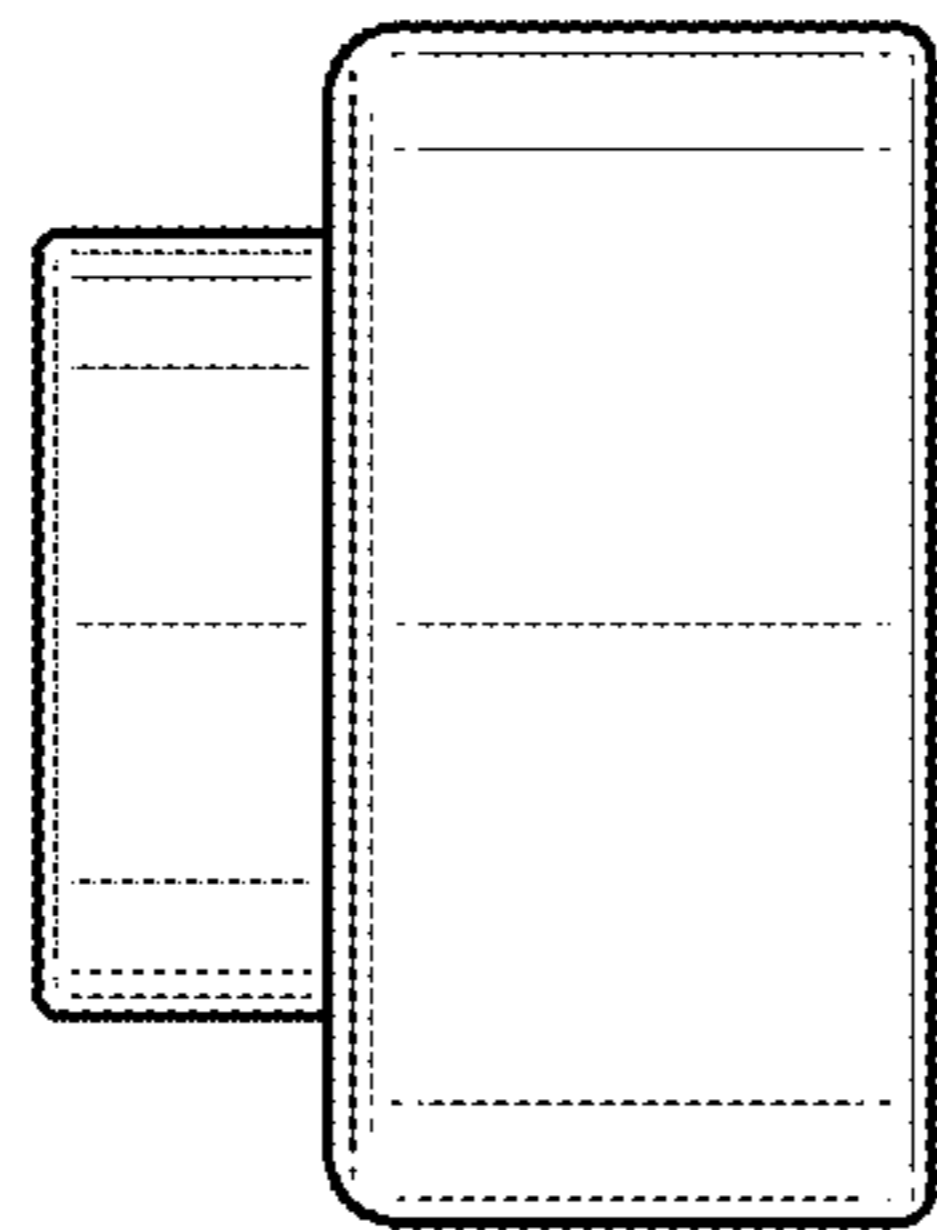


FIG. 5

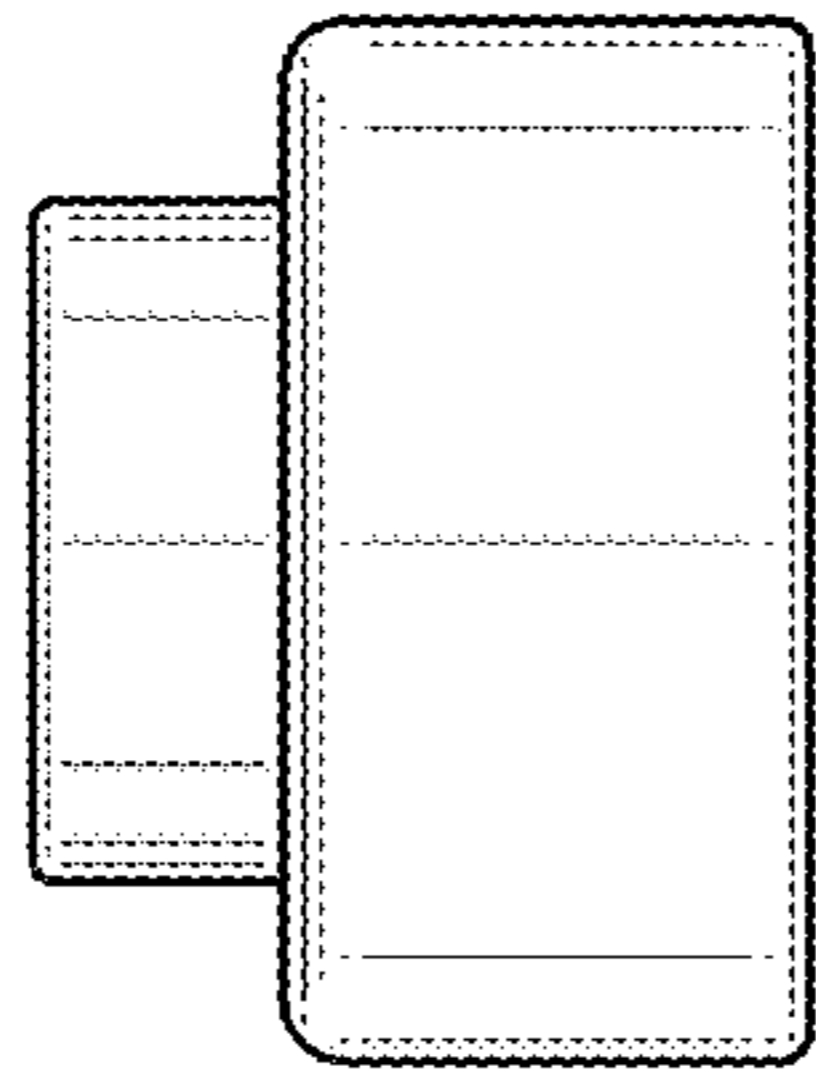


FIG. 6

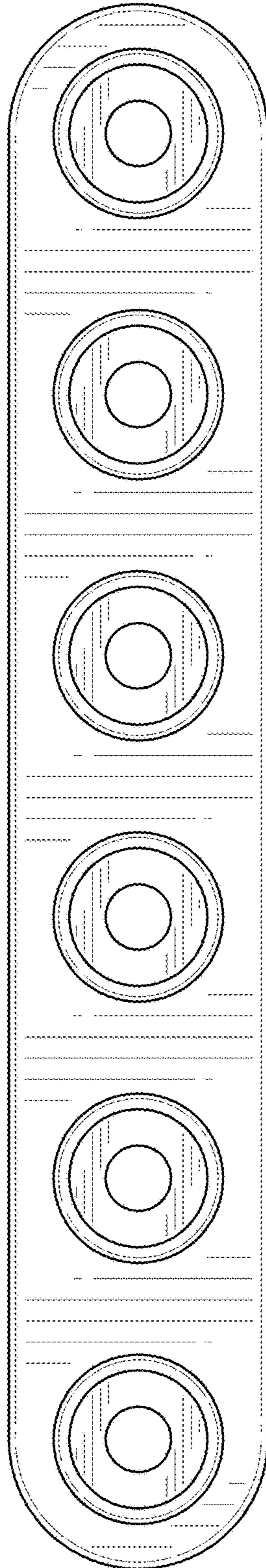


FIG. 7

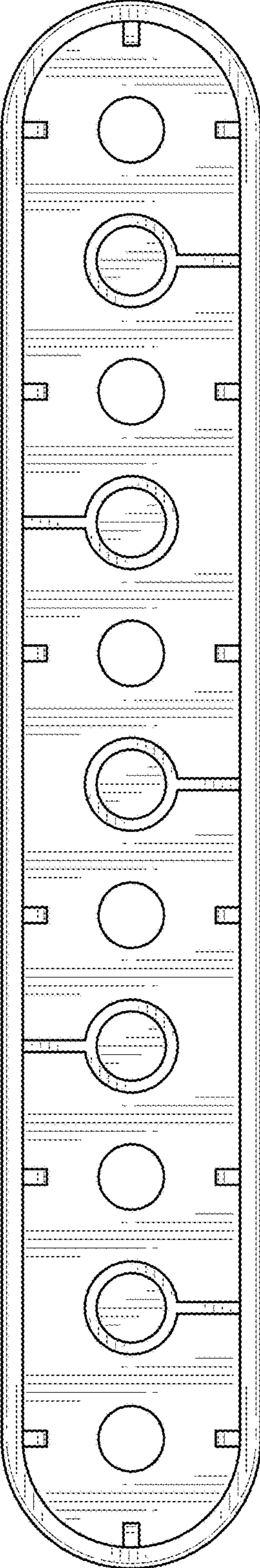


FIG. 8