



US00D833535S

(12) **United States Design Patent** (10) **Patent No.:** **US D833,535 S**
Lim (45) **Date of Patent:** **** Nov. 13, 2018**

(54) **ELECTRONIC GAMING TERMINAL**

(71) Applicant: **Resorts World Inc Pte Ltd (Parent Company of RW Tech Labs Sdn Bhd)**, Singapore (SG)

(72) Inventor: **Chee Heong Lim**, Selangor (MY)

(73) Assignee: **Resorts Word Inc Pte Ltd (Parent company of RW Tech Labs Sdn Bhd)**, Singapore (SG)

(**) Term: **15 Years**

(21) Appl. No.: **29/561,911**

(22) Filed: **Jun. 28, 2016**

(30) **Foreign Application Priority Data**

Apr. 20, 2016 (SG) 30201602445S

(51) **LOC (11) Cl.** **21-03**

(52) **U.S. Cl.**
USPC **D21/370**

(58) **Field of Classification Search**
USPC D14/300, 301, 302, 305, 307; D21/324, D21/325, 329, 369, 370, 371; 463/1, 28, 463/29, 30, 31, 32, 33, 34, 35, 46, 47; 760/1
CPC G07F 17/3211
See application file for complete search history.

(56) **References Cited**

U.S. PATENT DOCUMENTS

D284,194 S *	6/1986	Golden	D14/305
D336,896 S *	6/1993	Carter	D14/305
D358,616 S *	5/1995	Chung-Po	D21/325

D401,227 S *	11/1998	Catta	D14/305
D525,665 S *	7/2006	Karlsson	D21/329
D594,068 S *	6/2009	Hsu	D21/370
D622,781 S *	8/2010	Lesley	D21/369
D673,943 S *	1/2013	Huertas Moya	D14/305
D684,637 S *	6/2013	Shelley	D21/370
D684,638 S *	6/2013	Shelley	D21/370

* cited by examiner

Primary Examiner — Cynthia Ramirez

Assistant Examiner — Michael A Maharajh

(74) *Attorney, Agent, or Firm* — Greenberg Traurig, LLP

(57) **CLAIM**

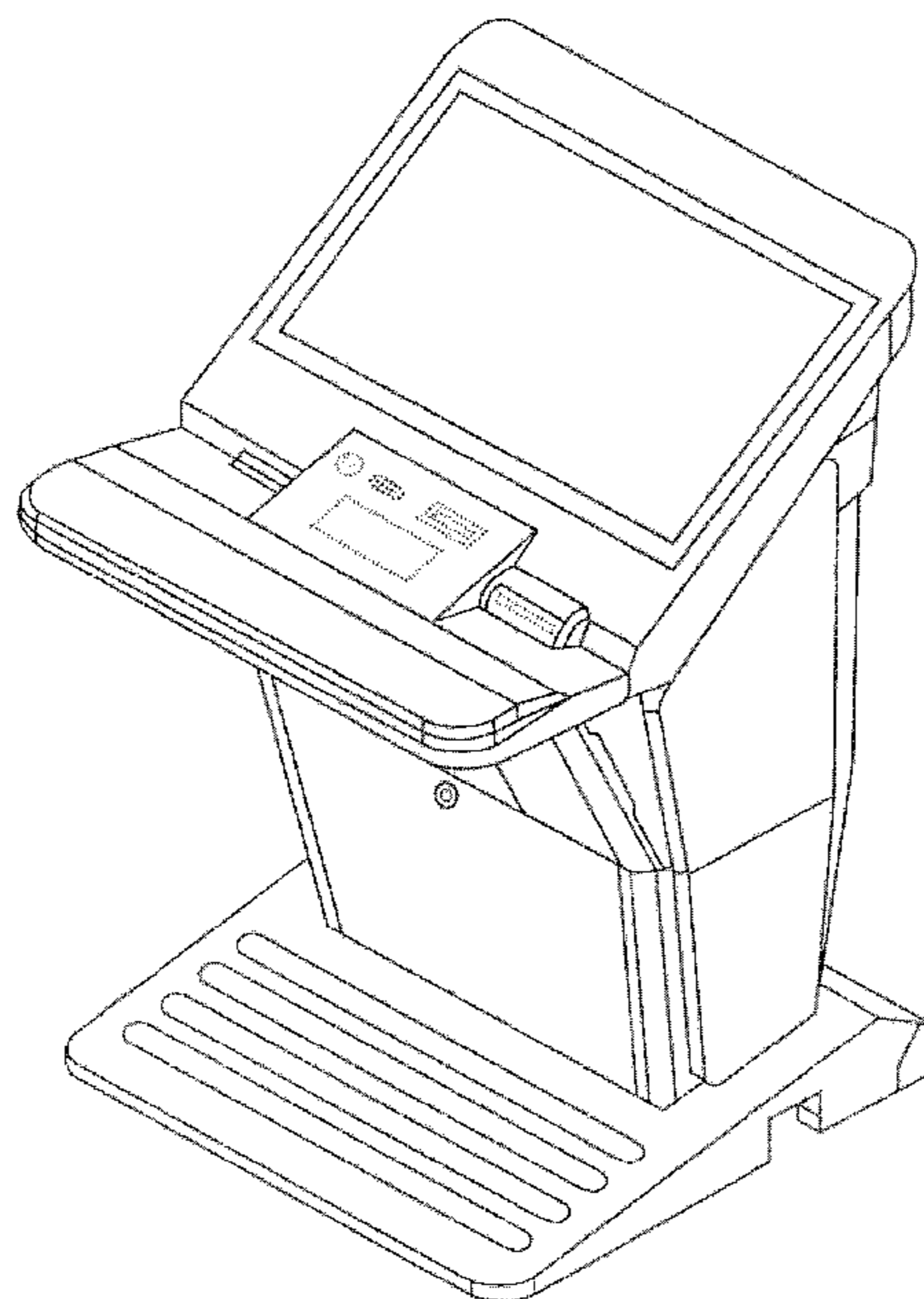
The ornamental design of an electronic gaming terminal, as shown and described.

DESCRIPTION

FIG. 1 is a front perspective view of an electronic gaming terminal showing my new design;
 FIG. 2 is a rear perspective view thereof;
 FIG. 3 is a right side elevational view thereof;
 FIG. 4 is a left side elevational view thereof; and,
 FIG. 5 is a front elevational view thereof.

The broken lines in the figures are for the purposes of illustrating portions of the electronic gaming terminal, which form no part of the claimed design.

1 Claim, 5 Drawing Sheets



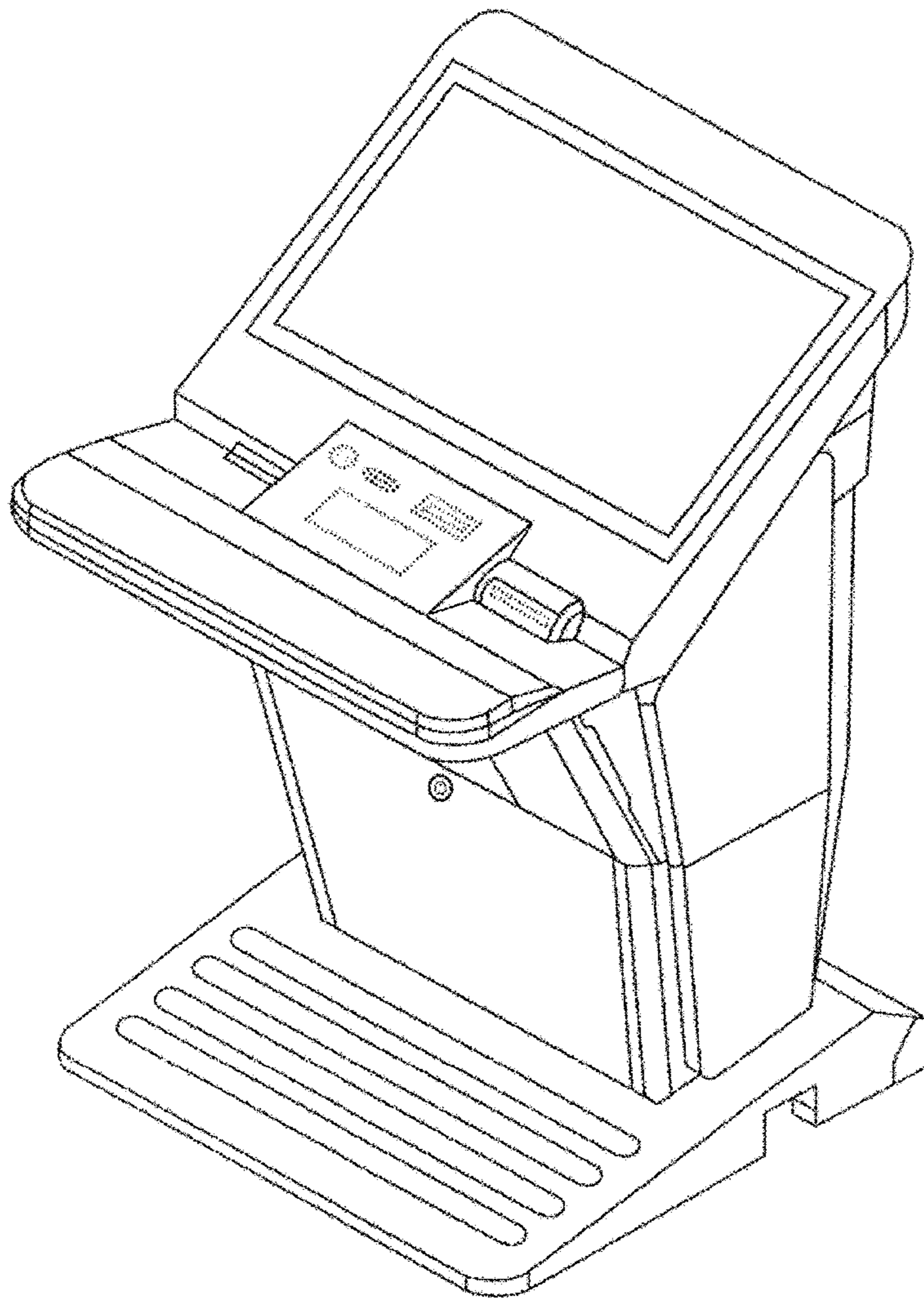


FIG. 1

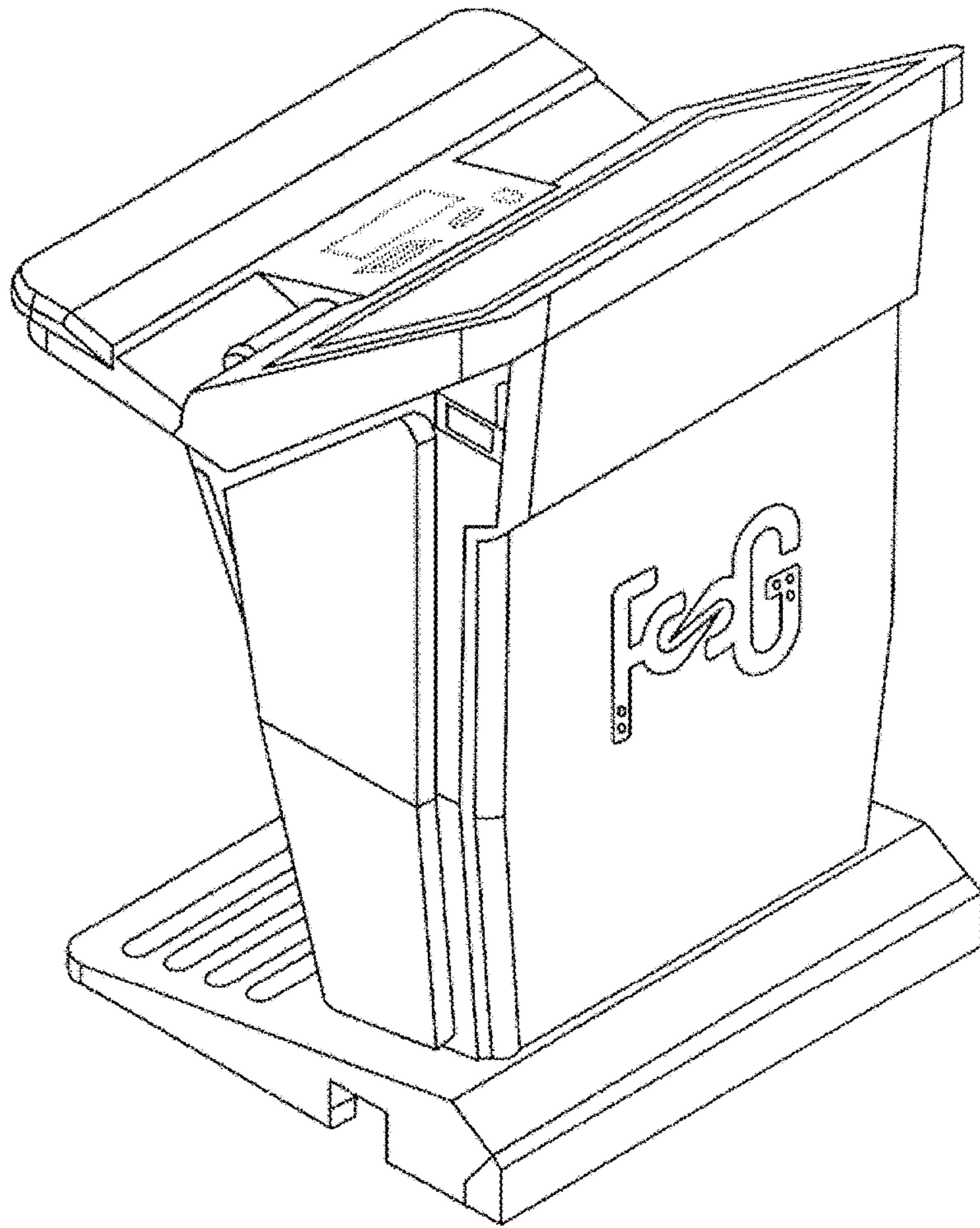


FIG. 2

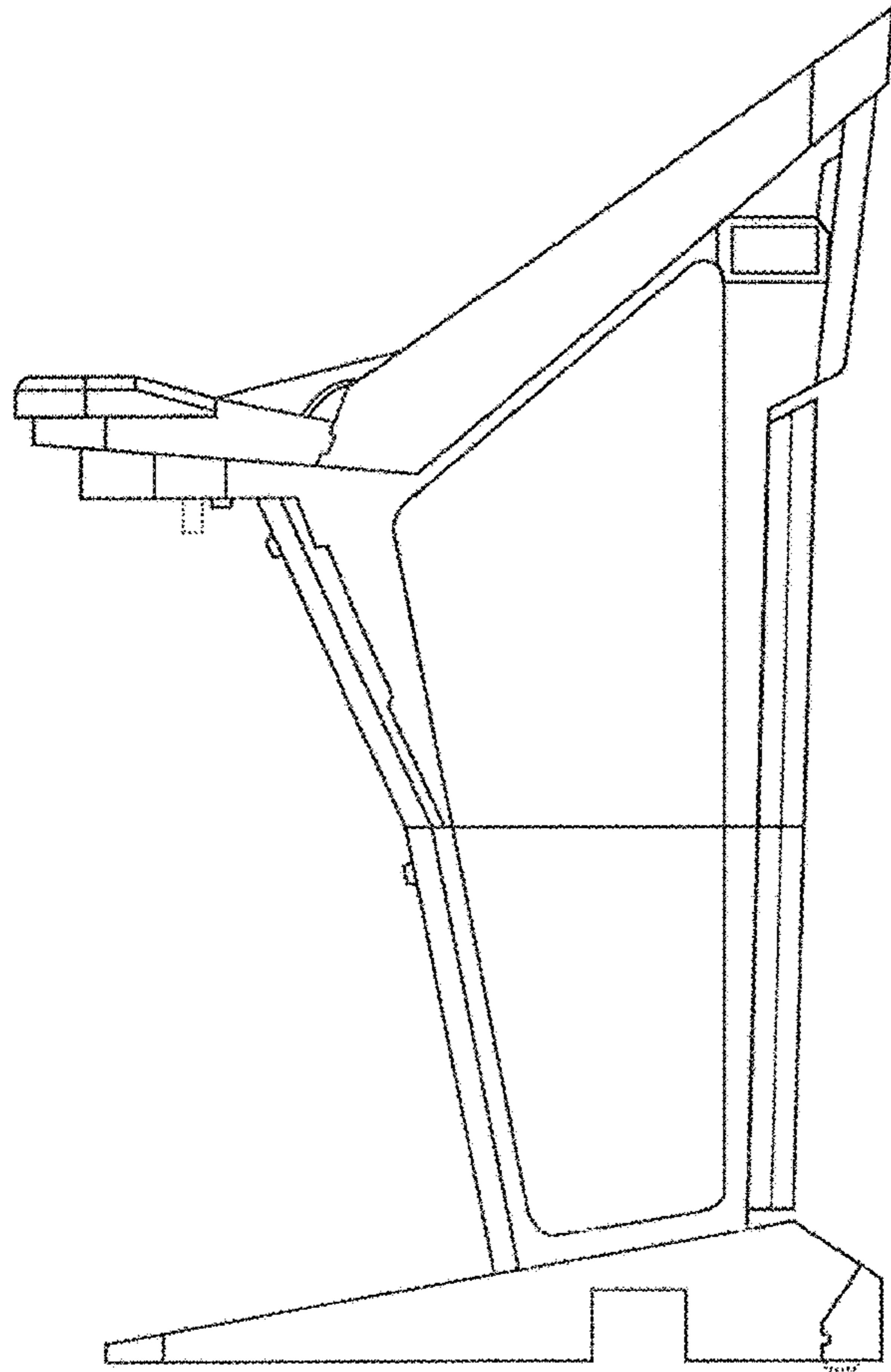


FIG. 3

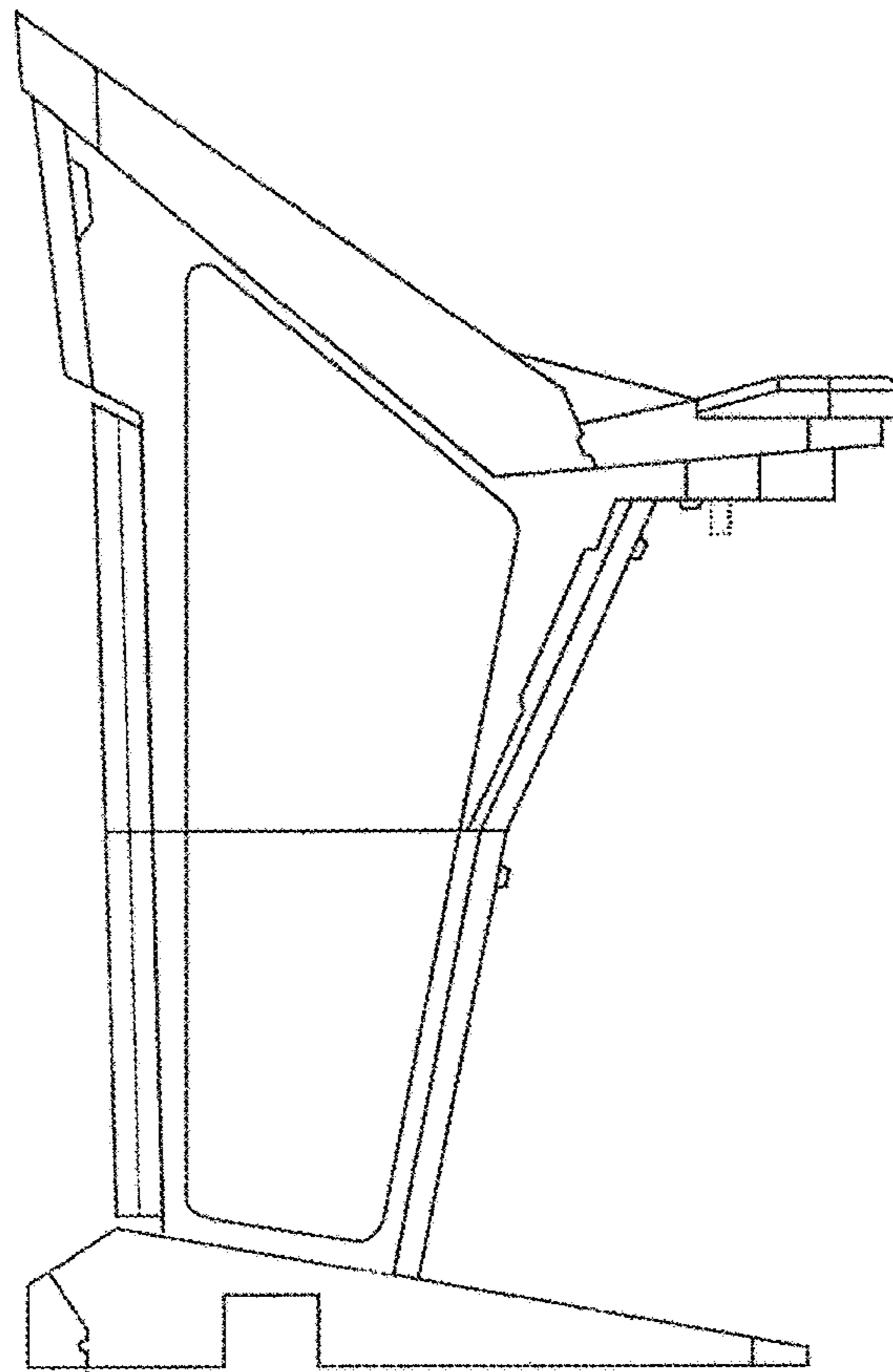


FIG. 4

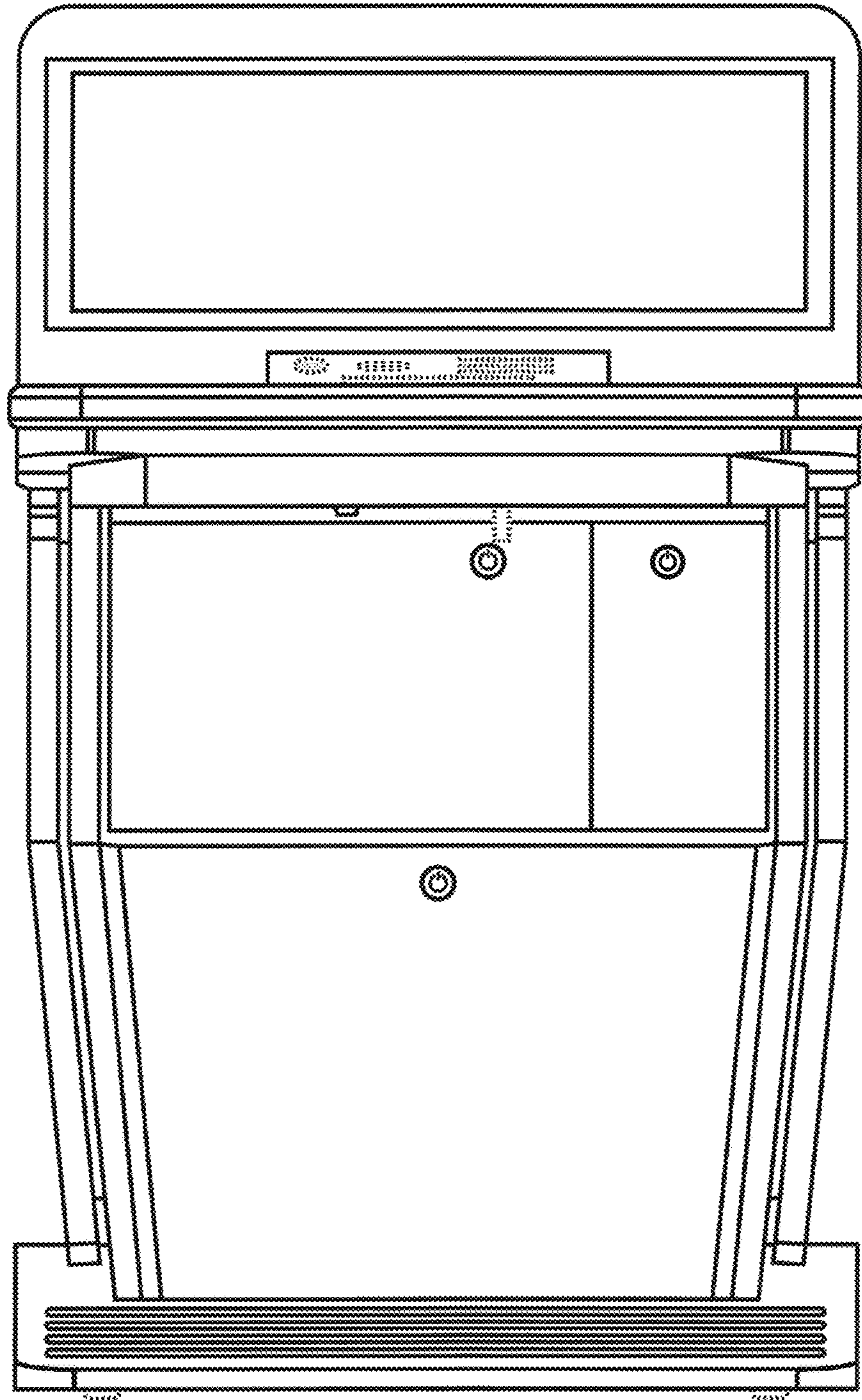


FIG. 5