



US00D833534S

(12) **United States Design Patent** (10) **Patent No.:** **US D833,534 S**
Lee et al. (45) **Date of Patent:** **** Nov. 13, 2018**

(54) **GAMING MACHINE**
(71) Applicant: **AGS LLC**, Las Vegas, NV (US)
(72) Inventors: **Sigmund Lee**, Atlanta, GA (US); **Karl Frederick Zedell, Jr.**, Alpharetta, GA (US); **Rachel Calhoun Lewis**, Atlanta, GA (US)

5,108,099 A 4/1992 Smyth
5,113,990 A 5/1992 Gabrius et al.
D333,164 S 2/1993 Kraft et al.
5,302,965 A 4/1994 Belcher et al.
5,381,502 A 1/1995 Veligdan
5,521,587 A 5/1996 Sawabe et al.

(Continued)

(73) Assignee: **AGS LLC**, Las Vegas, NV (US)
(**) Term: **15 Years**

(21) Appl. No.: **29/631,064**
(22) Filed: **Dec. 27, 2017**

OTHER PUBLICATIONS

Icon by AGS, <http://www.playags.com/portfolio/icon/>, 3 pages, Feb. 23, 2016.

(Continued)

Primary Examiner — Philip S Hyder
Assistant Examiner — Ryan P Harvey
(74) *Attorney, Agent, or Firm* — Weide & Miller, Ltd.

Related U.S. Application Data

(62) Division of application No. 29/540,241, filed on Sep. 22, 2015, now Pat. No. Des. 820,915.

(51) **LOC (11) Cl.** **21-03**

(52) **U.S. Cl.**
USPC **D21/369**

(58) **Field of Classification Search**
USPC D21/369, 370, 371, 385, 329, 325, 394;
463/28, 13, 11, 16, 20, 25, 31, 46, 23, 30,
463/17, 36, 29, 42, 34, 32, 35, 19, 21, 22;
273/292, 203, 138.2, 143 R, 142 R, 138.1;
D19/60; D16/226; D26/14
CPC G07F 17/32; G07F 17/34; G07F 17/3211;
G07F 17/3244; G07F 17/3267
See application file for complete search history.

(57) **CLAIM**

The ornamental design for a gaming machine, as shown and described.

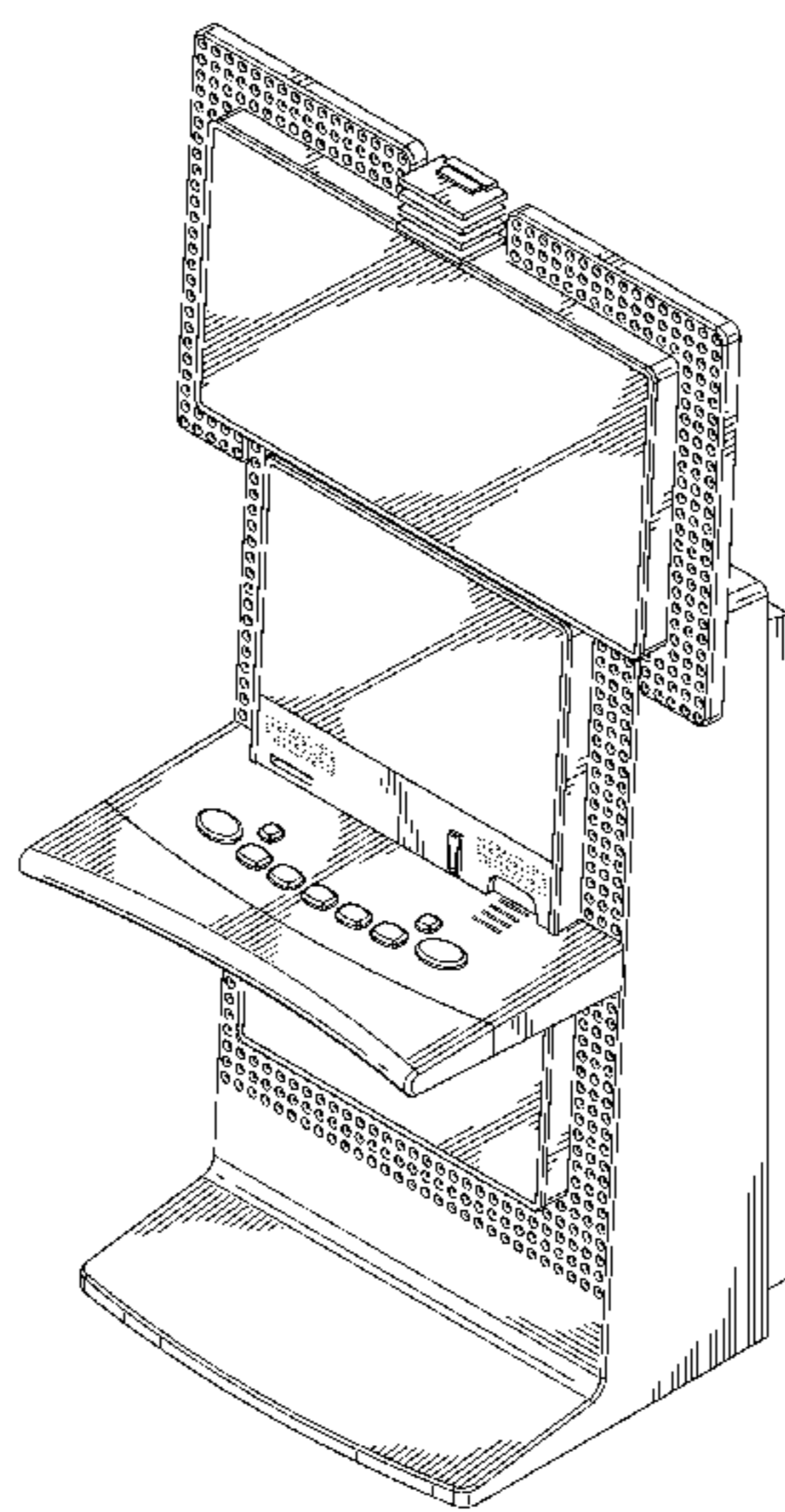
DESCRIPTION

FIG. 1 is a front perspective view from above of an embodiment of the claimed design;
FIG. 2 is a front elevation view of the claimed design of FIG. 1;
FIG. 3 is a rear elevation view of the claimed design of FIG. 1;
FIG. 4 is a first side view of the claimed design of FIG. 1;
FIG. 5 is a second side view of the claimed design of FIG. 1;
FIG. 6 is a top plan view of the claimed design of FIG. 1; and,
FIG. 7 is a bottom plan view of the claimed design of FIG. 1.
The broken line showing of portions of the gaming machine depicts the boundaries of the claimed design and forms no part of the claim.

(56) **References Cited**
U.S. PATENT DOCUMENTS

4,440,457 A 4/1984 Fogelman et al.
D275,117 S 8/1984 Heywood
4,844,567 A 7/1989 Chalabian
4,918,579 A 4/1990 Bennett
D307,771 S 5/1990 Cesaroni et al.
5,057,827 A 10/1991 Nobile et al.

1 Claim, 6 Drawing Sheets



(56)

References Cited

U.S. PATENT DOCUMENTS

D373,809 S	9/1996	Hirato	7,331,694 B2	2/2008	Lee et al.	
5,561,346 A	10/1996	Byrne	D563,481 S	3/2008	Looks et al.	
D380,014 S	6/1997	Yang	D564,601 S	3/2008	Strahinic et al.	
D381,697 S	7/1997	Brettschneider	7,339,782 B1	3/2008	Landes et al.	
D381,700 S	7/1997	Brettschneider	D566,197 S	4/2008	Greenberg et al.	
5,670,971 A	9/1997	Tokimoto et al.	7,355,573 B2	4/2008	Ogawa	
D386,796 S	11/1997	Komori	7,364,505 B2	4/2008	Mattice et al.	
5,695,402 A	12/1997	Stupak	7,367,145 B2	5/2008	Mou	
5,813,914 A	9/1998	McKay et al.	7,367,685 B2	5/2008	Moll	
5,818,401 A	10/1998	Wang	7,390,257 B2	6/2008	Paulsen et al.	
5,826,882 A	10/1998	Ward	D573,200 S	7/2008	Hashimoto et al.	
5,836,819 A	11/1998	Ugawa	7,397,387 B2	7/2008	Suzuki et al.	
D407,758 S	4/1999	Isetani et al.	7,423,864 B2	9/2008	Kim et al.	
D413,635 S	9/1999	Taylor	7,442,125 B2	10/2008	Paulsen et al.	
D421,631 S	3/2000	Tsuda	7,476,154 B2	1/2009	Kogo et al.	
D424,122 S	5/2000	Dickenson et al.	D586,866 S	2/2009	Hsu	
6,068,101 A	5/2000	Dickenson et al.	7,506,463 B2	3/2009	Hoist	
D428,062 S	7/2000	Hayashi	7,506,997 B1	3/2009	Eriksson	
6,095,526 A	8/2000	Cook, II	7,513,830 B2	4/2009	Hajder et al.	
6,135,884 A	10/2000	Hedrick et al.	D592,709 S	5/2009	McComb et al.	
6,164,645 A	12/2000	Weiss	D603,909 S	11/2009	De Viveiros Ortiz	
D436,380 S	1/2001	Brettschneider	D604,368 S	11/2009	Lesley et al.	
6,176,584 B1	1/2001	Best et al.	D605,231 S	12/2009	Hashimoto et al.	
6,183,109 B1	2/2001	Nelson et al.	7,641,554 B2	1/2010	Paulsen et al.	
6,186,645 B1	2/2001	Camarota	1,654,899 A1	2/2010	Durham et al.	
6,201,703 B1	3/2001	Yamada et al.	7,667,891 B2	2/2010	Cok et al.	
D439,931 S	4/2001	Yamaguchi	7,708,640 B2	5/2010	Burak et al.	
D442,640 S	5/2001	Hayashi	D619,177 S	7/2010	Lee	
6,265,984 B1	7/2001	Molinaroli	D619,660 S	7/2010	Cole et al.	
D446,252 S	8/2001	Yamaguchi	7,803,053 B2	9/2010	Atkinson	
6,278,419 B1	8/2001	Malkin	D626,182 S	10/2010	Cole et al.	
6,283,608 B1	9/2001	Straat	D626,183 S	10/2010	Cole et al.	
6,319,125 B1	11/2001	Acres	7,826,006 B2	11/2010	Koganezawa	
6,332,690 B1	12/2001	Murofushi	7,828,461 B2	11/2010	Mayer et al.	
6,334,612 B1	1/2002	Wurz et al.	7,833,102 B2	11/2010	Beadell et al.	
D459,402 S	6/2002	Wurz et al.	D633,950 S	3/2011	Terpstra et al.	
D460,915 S	7/2002	Lynch	7,927,218 B2	4/2011	Kopera et al.	
6,443,837 B1	9/2002	Jaffe et al.	7,966,485 B2	6/2011	Chen et al.	
D464,377 S	10/2002	Wurz et al.	D646,336 S	10/2011	Kelly et al.	
D466,160 S	11/2002	Hirato et al.	D649,605 S	11/2011	Terpstra et al.	
6,475,087 B1	11/2002	Cole	8,054,243 B2	11/2011	Sokolov et al.	
D471,594 S	3/2003	Nojo	8,075,385 B2	12/2011	Jackson	
6,577,286 B1	6/2003	Jang	8,241,124 B2	8/2012	Kelly et al.	
6,578,847 B1	6/2003	Hedrick et al.	8,272,957 B2	9/2012	Crowder, Jr. et al.	
6,579,174 B1	6/2003	Lane et al.	D673,619 S *	1/2013	Seelig D21/369	
6,592,238 B2	7/2003	Cleaver et al.	D673,620 S *	1/2013	Johnson D21/369	
6,641,484 B2	11/2003	Oles et al.	D673,621 S *	1/2013	Johnson D21/369	
6,682,418 B1	1/2004	Mendes et al.	8,430,756 B2	4/2013	McComb et al.	
6,702,409 B2	3/2004	Hedrick et al.	D685,435 S	7/2013	Hohman et al.	
D489,417 S	5/2004	Munoz et al.	8,550,913 B2	10/2013	Kelly et al.	
6,776,504 B2	8/2004	Sloan et al.	8,651,963 B1	2/2014	Thompson	
D495,754 S	9/2004	Wurz et al.	8,814,707 B2	8/2014	Slattery	
D495,755 S	9/2004	Wurz et al.	8,827,819 B2	9/2014	Thompson	
D496,407 S	9/2004	Gadda et al.	D714,875 S	10/2014	Wudtke et al.	
D498,267 S	11/2004	Crouch	D715,364 S	10/2014	Wudtke et al.	
6,834,979 B1	12/2004	Cleaver et al.	8,851,989 B2 *	10/2014	Rosander G07F 17/3216 463/31	
6,860,814 B2	3/2005	Cole	D723,626 S *	3/2015	Vasquez D21/370	
6,897,624 B2	5/2005	Lys et al.	8,974,297 B2	3/2015	Massing et al.	
6,899,626 B1	5/2005	Luciano et al.	D733,088 S *	6/2015	Garneau D14/172	
6,906,860 B2	6/2005	Starkweather	9,064,372 B2	6/2015	Rasmussen et al.	
D508,268 S	8/2005	Hanchar et al.	D745,093 S	12/2015	Weiss et al.	
D508,961 S	8/2005	Gatto et al.	D762,613 S *	8/2016	Garneau D14/172	
6,948,829 B2	9/2005	Verdes et al.	D763,361 S *	8/2016	Rosander D21/370	
D513,044 S	12/2005	Morrison	RE46,169 E	10/2016	Kelly et al.	
6,997,810 B2	2/2006	Cole	9,478,097 B2	10/2016	Hennessy et al.	
7,014,563 B2	3/2006	Stephan et al.	9,504,919 B2	11/2016	Taylor et al.	
D525,664 S	7/2006	Cole	D776,801 S *	1/2017	Tamura D23/330	
7,123,811 B1	10/2006	Chen et al.	9,573,050 B2	2/2017	Thompson et al.	
D535,338 S	1/2007	Linard et al.	9,711,001 B2	7/2017	Zedell, Jr. et al.	
7,178,941 B2	2/2007	Roberge et al.	D798,389 S	9/2017	Weiss et al.	
7,213,941 B2	5/2007	Sloan et al.	D801,437 S	10/2017	Hohman	
7,237,925 B2	7/2007	Mayer et al.	D813,954 S *	3/2018	Calhoun D21/369	
7,284,876 B2	10/2007	Ericson	2003/0064814 A1	4/2003	Stephan et al.	
D557,348 S	12/2007	Gutknecht et al.	2004/0001335 A1	1/2004	Wu	
D559,917 S	1/2008	Cole	2004/0053663 A1	3/2004	Paulsen et al.	
			2004/0053699 A1	3/2004	Rasmussen et al.	
			2004/0224776 A1	11/2004	Nagano	
			2004/0229698 A1	11/2004	Lind et al.	

(56)

References Cited

U.S. PATENT DOCUMENTS

2005/0059486 A1 3/2005 Kaminkow
 2005/0130746 A1 6/2005 Stephenson, III et al.
 2005/0215325 A1 9/2005 Nguyen et al.
 2005/0261057 A1 11/2005 Bleich et al.
 2006/0030412 A1 2/2006 Cole
 2006/0073900 A1 4/2006 Cole
 2006/0094511 A1 5/2006 Roireau
 2006/0100013 A1 5/2006 Enzminger
 2006/0131810 A1 6/2006 Nicely
 2006/0183552 A1 8/2006 DiMichele
 2006/0205498 A1 9/2006 Kogo et al.
 2007/0010318 A1 1/2007 Rigsby et al.
 2007/0035965 A1 2/2007 Hoist
 2007/0060387 A1 3/2007 Enzminger et al.
 2007/0149291 A1 6/2007 Mitchell
 2007/0159820 A1 7/2007 Crandell et al.
 2007/0171640 A1 7/2007 Sloan et al.
 2007/0197301 A1 8/2007 Cole
 2007/0225079 A1 9/2007 Cole
 2007/0287527 A1 12/2007 Tanabe et al.
 2007/0287528 A1 12/2007 Hirato et al.
 2007/0287544 A1 12/2007 Hirato et al.
 2008/0020838 A1 1/2008 Slattery
 2008/0076553 A1 3/2008 Paulsen et al.
 2008/0113794 A1* 5/2008 Cole G07F 17/32
 463/31
 2008/0119288 A1 5/2008 Rasmussen
 2008/0186415 A1 8/2008 Boud et al.
 2008/0194313 A1 8/2008 Walker
 2008/0227522 A1 9/2008 Toyoda
 2008/0248852 A1 10/2008 Rasmussen
 2008/0268949 A1 10/2008 Dell
 2009/0011839 A1 1/2009 Cole
 2009/0036208 A1 2/2009 Pennington et al.
 2009/0045723 A1 2/2009 Ishikawa
 2009/0179597 A1 7/2009 Salmon
 2009/0247261 A1 10/2009 Koami
 2009/0275389 A1 11/2009 Englman et al.
 2010/0016084 A1 1/2010 Bleich et al.
 2010/0020546 A1 1/2010 Kukita
 2010/0120518 A1 5/2010 Borissov et al.
 2010/0137060 A1 6/2010 Cole
 2011/0118034 A1 5/2011 Jaffe et al.
 2011/0195775 A1 8/2011 Wells
 2011/0319152 A1 12/2011 Ross et al.
 2012/0178523 A1 7/2012 Greenberg et al.

2013/0084948 A1* 4/2013 Watkins G07F 17/3276
 463/23
 2014/0132891 A1 5/2014 Tohyama et al.
 2014/0206432 A1 7/2014 Radek et al.
 2014/0256409 A1 9/2014 Wood et al.
 2014/0268876 A1 9/2014 Lee et al.
 2014/0323212 A1 10/2014 Thompson et al.
 2015/0141113 A1 5/2015 Melnick et al.
 2015/0269810 A1 9/2015 Wolf et al.
 2015/0336005 A1 11/2015 Melnick et al.
 2017/0178443 A1 6/2017 Calhoun et al.
 2017/0178444 A1 6/2017 Lee et al.
 2018/0082523 A1* 3/2018 Palermo G07F 17/3216

OTHER PUBLICATIONS

Non-Published Design U.S. Appl. No. 29/540,396, filed Sep. 24, 2015, titled Game Tower.
 Non-Published U.S. Appl. No. 12/947,695, filed Nov. 16, 2010, titled Edge Lighted Gaming Panels for Electronic Gaming Device. Genesis DV1 Cabinets by Cadillac Jack, circa 2010.
 Infinity Super Skybox by Incredible Technologies, <https://gaming.itsgames.com/cabinets/infinity-super-skybox>, Aug. 11, 2016.
 Super Sky Wheel Slot Makes World Premiere at Borgata—Borgata Blog, <http://blog.theborgata.com/2016/06/16/super-sky-wheel-slot-makes-world-premiere-at-borgata/>, Jun. 16, 2016.
 Aristocrat Brings the Game Forward With Advanced New Helix Slant Cabinet, Market Wired, <http://www.marketwired.com/press-release/aristocrat-brings-the-game-forward-with-advanced-new-helix-slant-cabinet-asx-all-1904223.htm>, Apr. 29, 2014.
 Helix+ by Aristocrat, 2016.
 Helix Upright by Aristocrat, 2014.
 b.POD by Bluberi, <https://www.bluberi.com/bluberi-bpod/>, Accessed Feb. 27, 2018.
 Bluberi Set to Reveal Dramatic New Product Line-Up at G2E 2017, Press Release, Soloazar, <http://www.soloazar.com/international/noticia/19870-Bluberi-Set-to-Reveal-Dramatic-New-Product-Line-Up-at-G2E-2017>, Sep. 15, 2017.
 Bluebird Slant Widescreen literature from www.wms.com/technologyandinnovation_cabinets_widescreen.php dated May 19, 2009, showing a giuning machine cabinet that was sold and/or publicly disclosed at least as early as Dec. 13, 2008.
 Spec International, Inc., GEN-311 gaming machine cabinet, publicly disclosed at least as early as Dec. 13, 2008.
 International Search Report and Written Opinion for PCT/US16/66904 dated Apr. 25, 2017, 13 pages.

* cited by examiner

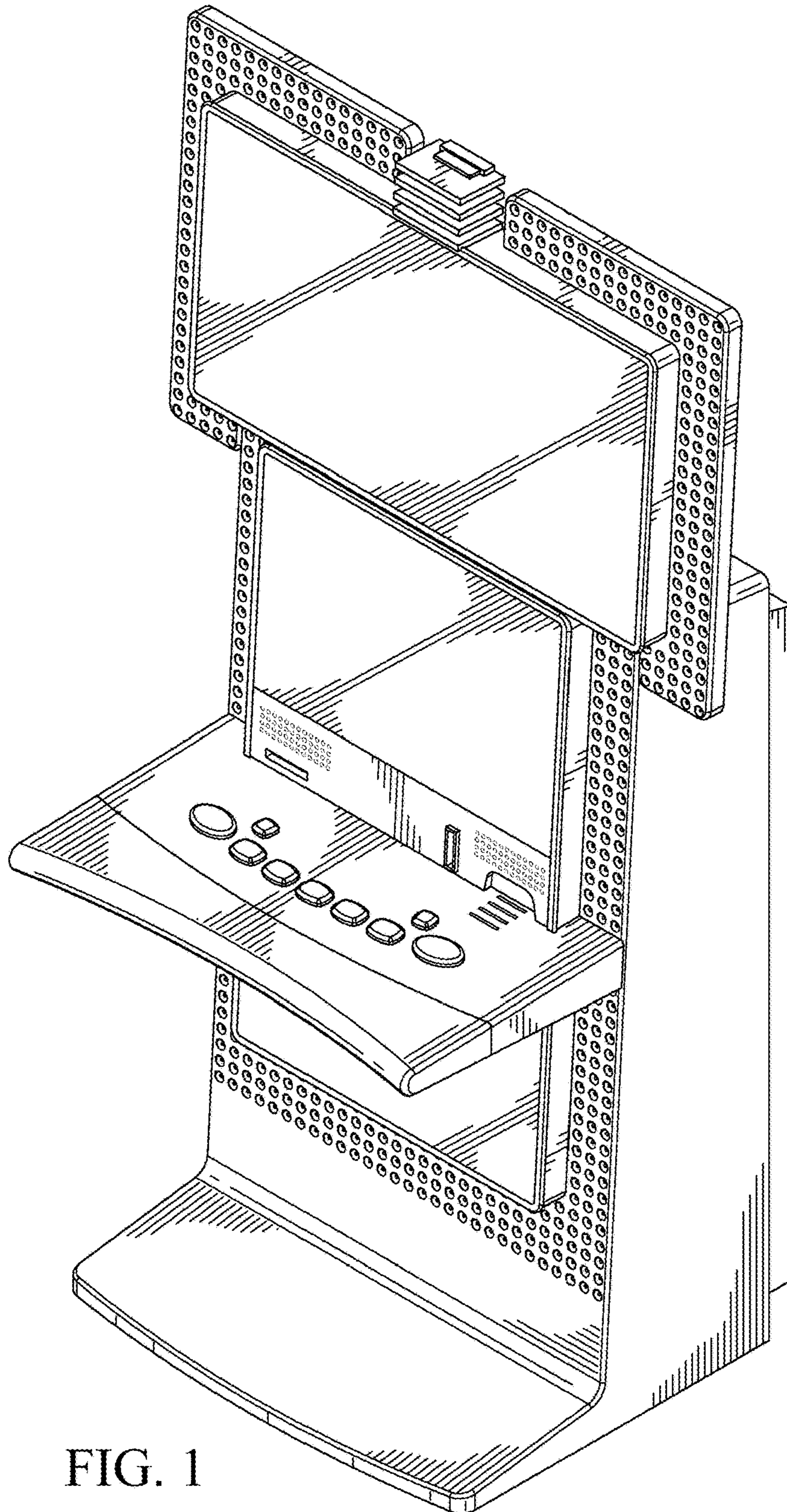


FIG. 1

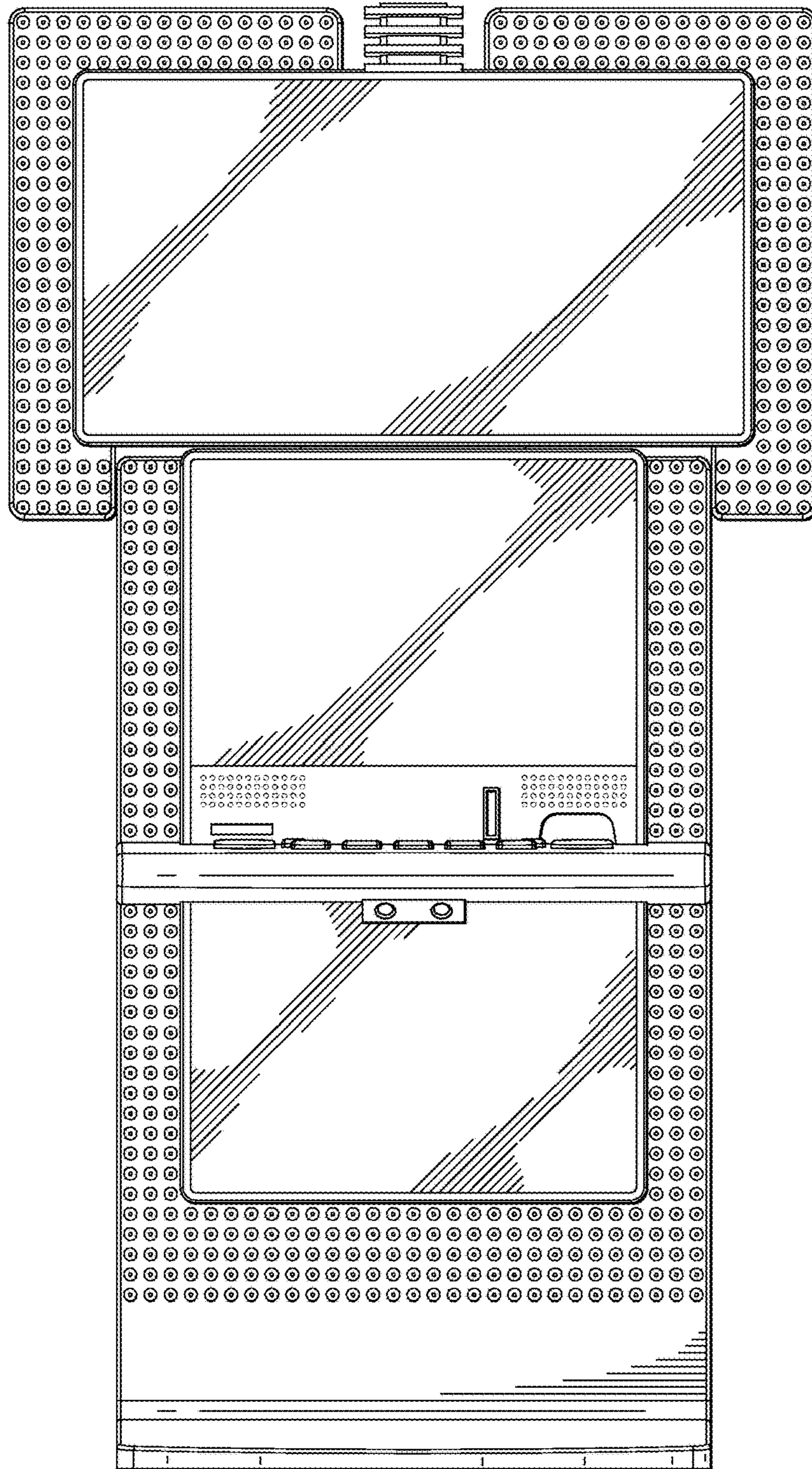


FIG. 2

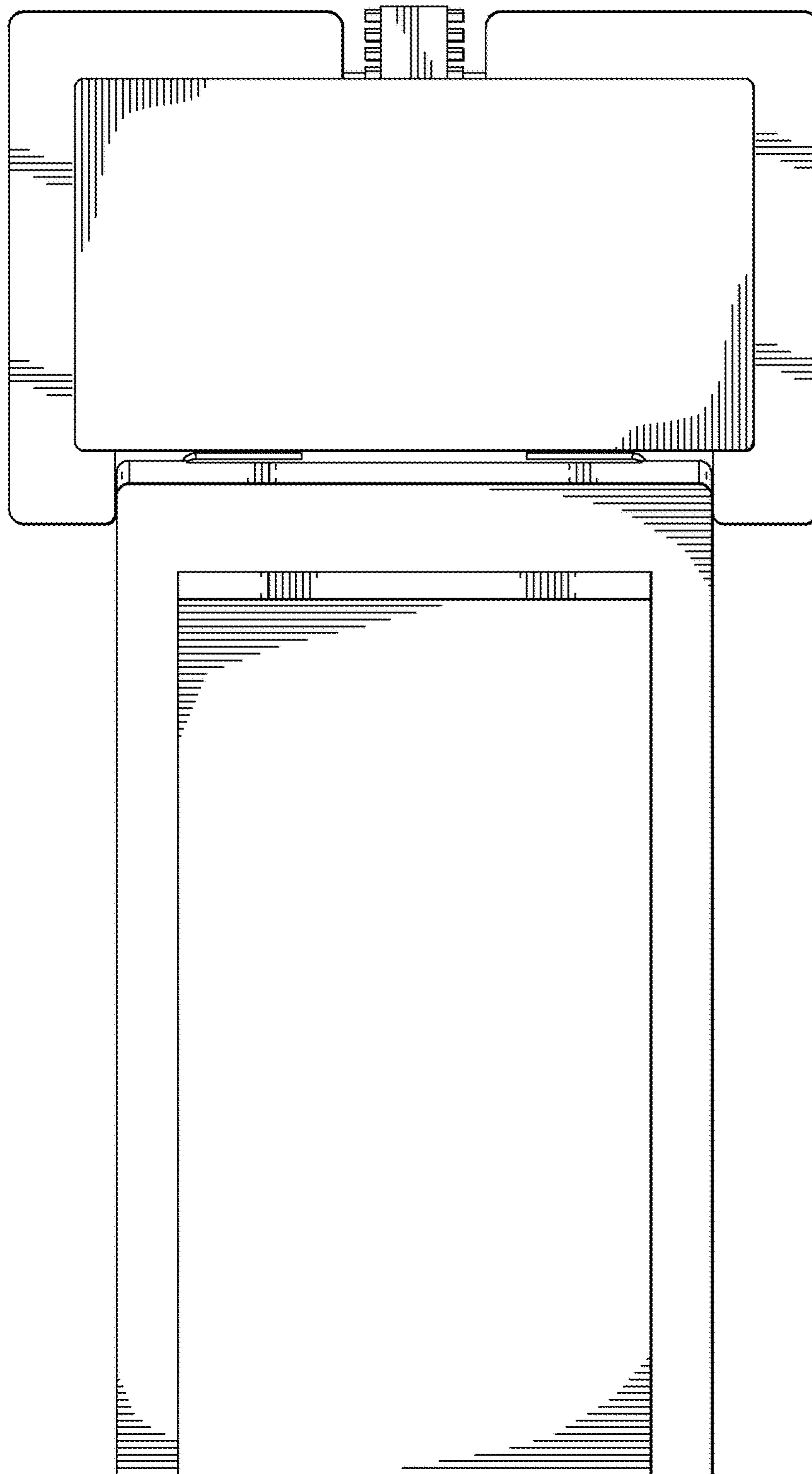


FIG. 3

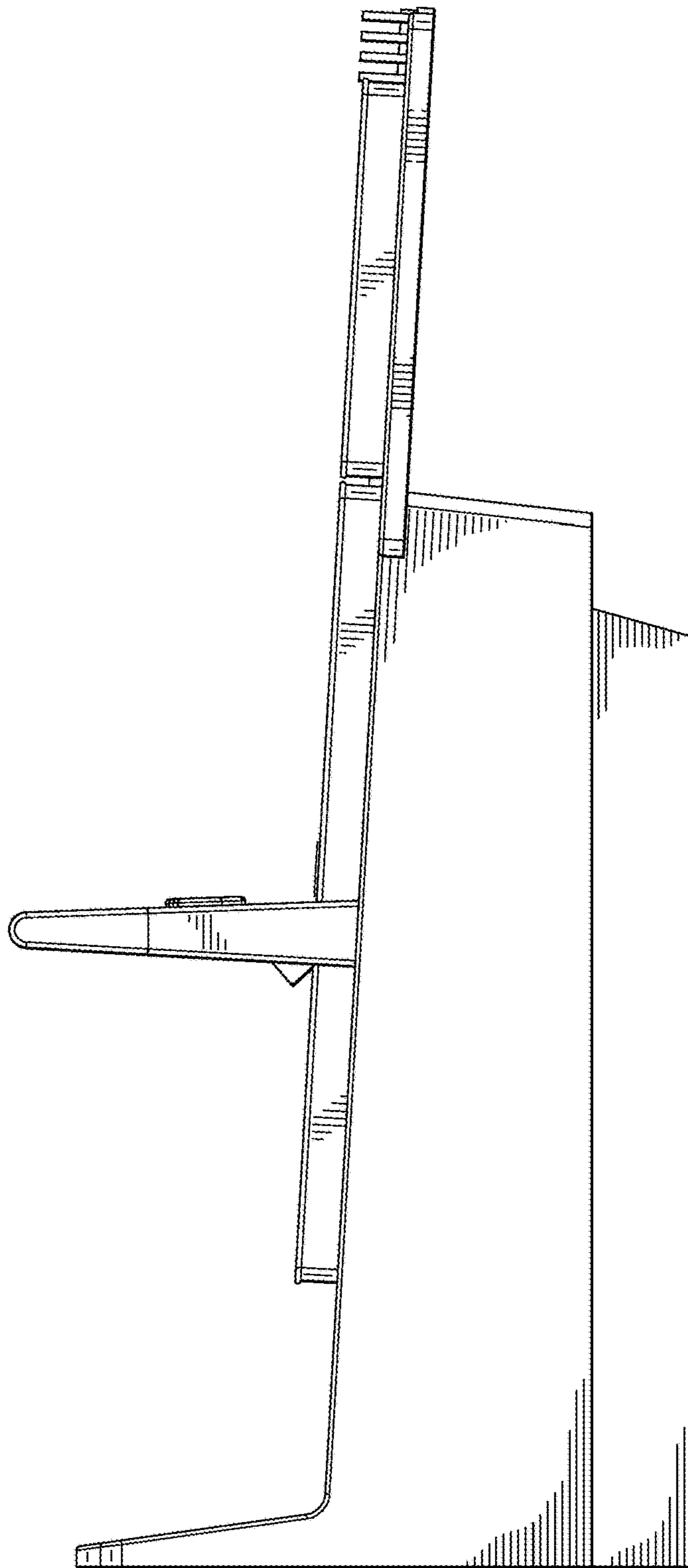


FIG. 4

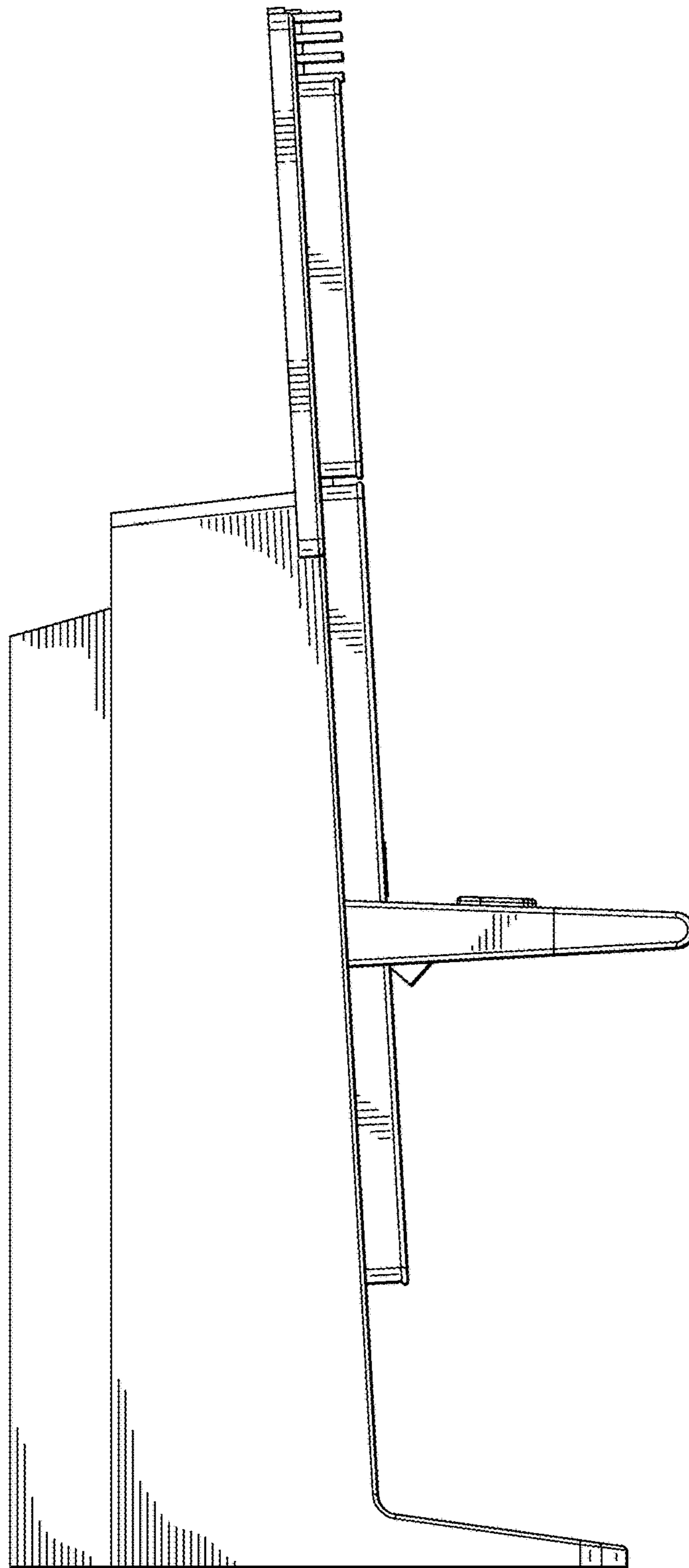


FIG. 5

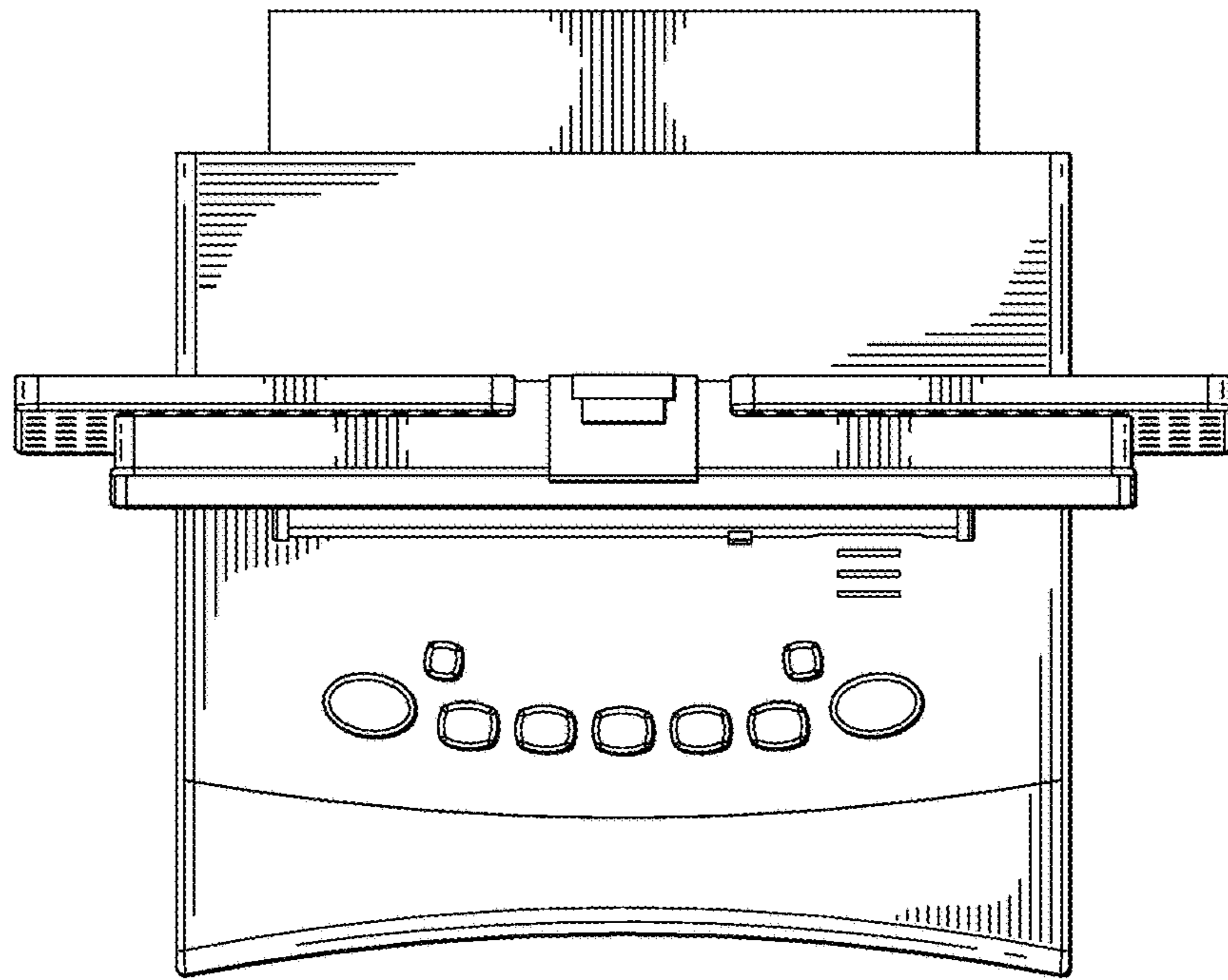


FIG. 6

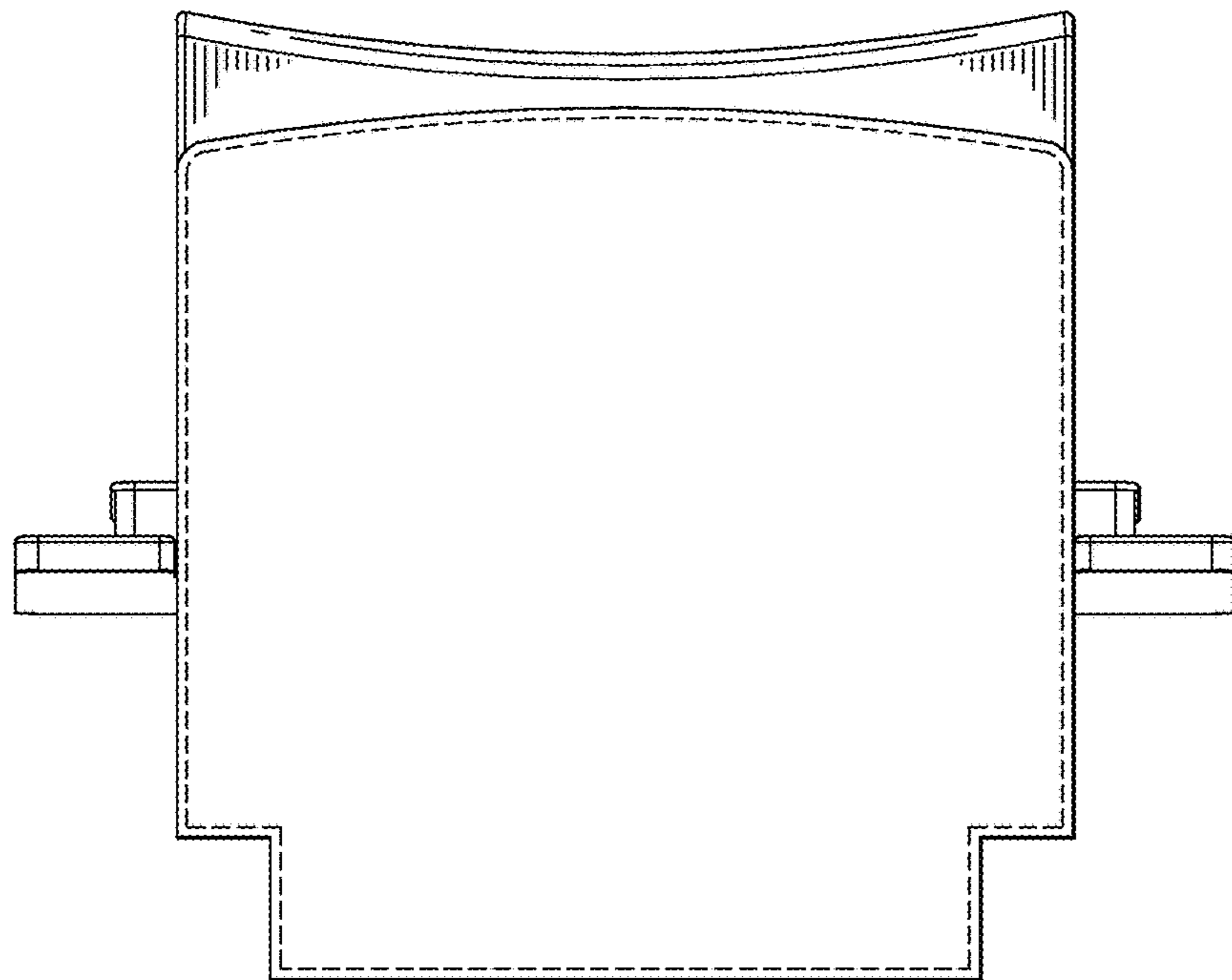


FIG. 7

UNITED STATES PATENT AND TRADEMARK OFFICE
CERTIFICATE OF CORRECTION

PATENT NO. : D833,534 S
APPLICATION NO. : 29/631064
DATED : November 13, 2018
INVENTOR(S) : Sigmund Lee et al.

Page 1 of 1

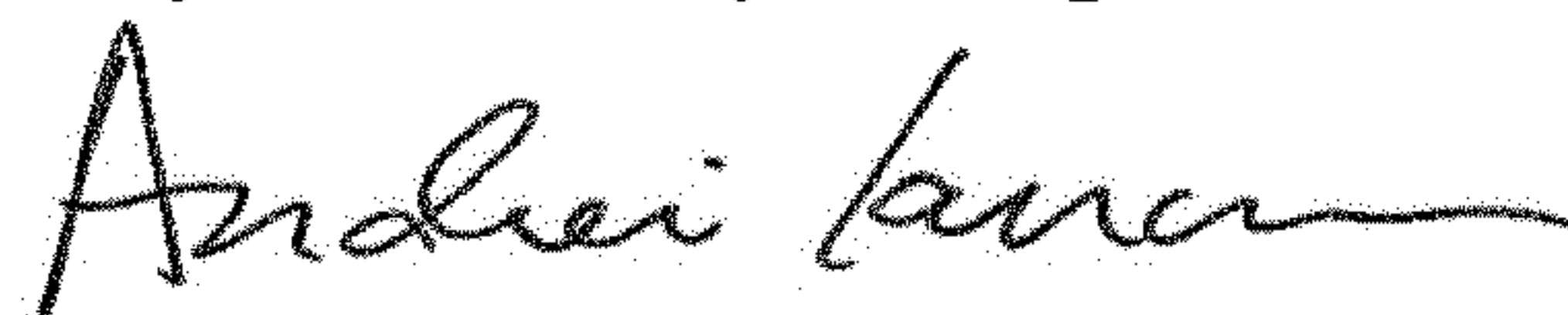
It is certified that error appears in the above-identified patent and that said Letters Patent is hereby corrected as shown below:

On the Title Page

Item (72), should read:

Inventors: Sigmund Lee, Atlanta, GA (US); Karl Frederick Zedell, Jr., Alpharetta, GA (US); Rachel Calhoun Lewis, Atlanta, GA (US); Wei Gu, Daly City, CA (US); Ariel David Turgel, San Francisco, CA (US); Daniel Kendall Harden, Palo Alto, CA (US)

Signed and Sealed this
Twenty-fourth Day of September, 2019



Andrei Iancu
Director of the United States Patent and Trademark Office