



US00D833529S

(12) **United States Design Patent** (10) **Patent No.:** **US D833,529 S**  
**Nejad** (45) **Date of Patent:** **\*\* Nov. 13, 2018**

(54) **SIGN PANEL**  
(71) Applicant: **SD2K, Inc.**, Van Nuys, CA (US)  
(72) Inventor: **Amir Ravandi Nejad**, Van Nuys, CA (US)  
(73) Assignee: **SD2K, Inc.**, Van Nuys, CA (US)  
(\*\*) Term: **15 Years**  
(21) Appl. No.: **29/614,737**  
(22) Filed: **Aug. 22, 2017**  
(51) **LOC (11) Cl.** ..... **20-03**  
(52) **U.S. Cl.**  
USPC ..... **D20/10**  
(58) **Field of Classification Search**  
USPC ..... D20/10, 11, 22-29, 35, 40, 43, 99;  
D10/109.1, 113.4  
CPC ..... G09F 1/00; G09F 1/02; G09F 2003/023;  
G09F 2003/0261; G09F 2003/0264; G09F  
7/00; G09F 3/206; G09F 13/00; G09F  
2007/1807; G09F 13/04; G09F  
2013/0427; G09F 2013/0495; G09D 3/00  
See application file for complete search history.

D405,708 S \* 2/1999 Liu ..... D10/113.4  
D412,131 S \* 7/1999 Bent ..... D10/113.3  
D416,290 S \* 11/1999 Poelvoorde ..... D20/10  
D423,164 S \* 4/2000 McKeown ..... D20/10  
D455,789 S \* 4/2002 Schlueter ..... D20/10  
D460,985 S \* 7/2002 Horvath ..... D20/10  
D490,334 S \* 5/2004 Dvoracek ..... D10/113.4  
D498,161 S \* 11/2004 Gagnon ..... D10/113.3  
D502,660 S \* 3/2005 Feit ..... D10/113.3  
D581,183 S \* 11/2008 Kutscha ..... D29/130  
D587,316 S \* 2/2009 Giugiaro ..... D20/39  
D603,908 S \* 11/2009 Brazelton ..... D20/41  
D639,342 S \* 6/2011 Jedlicka ..... D20/10  
D639,343 S \* 6/2011 Jedlicka ..... D20/10  
D639,345 S \* 6/2011 Jedlicka ..... D20/10  
D639,346 S \* 6/2011 Jedlicka ..... D20/10  
D644,693 S \* 9/2011 Braat ..... D20/10  
8,070,380 B2 \* 12/2011 Pucillo ..... E01F 9/654  
404/10  
D748,729 S \* 2/2016 Thomaselli ..... D20/10

(Continued)

*Primary Examiner* — Mary Ann Calabrese  
*Assistant Examiner* — Sloan Rozin  
(74) *Attorney, Agent, or Firm* — Lowry Blixseth LLP;  
Scott M. Lowry

(57) **CLAIM**

The ornamental design for a sign panel, as shown and described.

**DESCRIPTION**

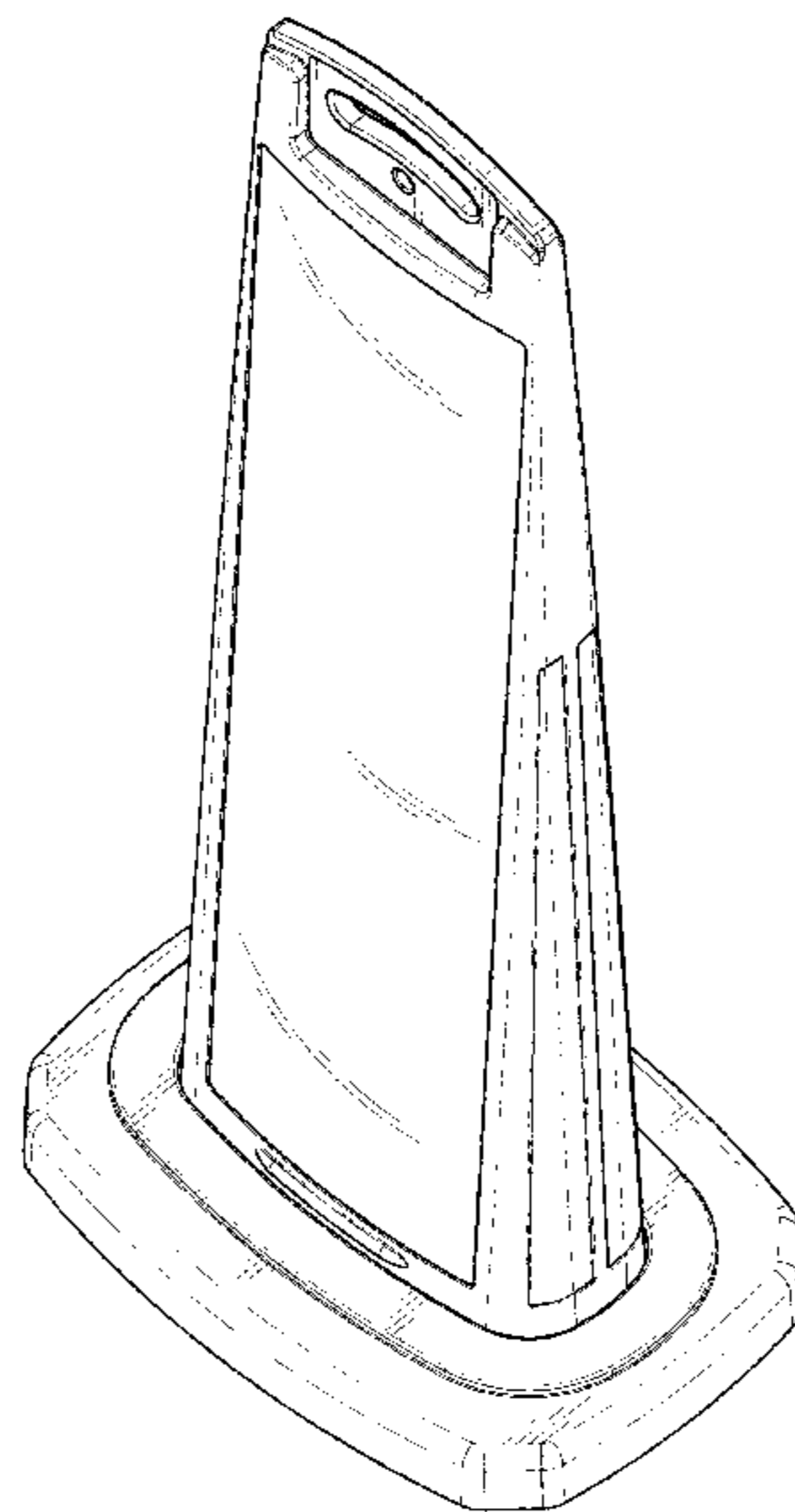
FIG. 1 is a perspective view showing the front, top and right sides of the sign panel;  
FIG. 2 is a front elevation view of the sign panel, the rear elevation view being identical;  
FIG. 3 is a right side elevation view of the sign panel, the left side elevation view being a mirror image thereof; and,  
FIG. 4 is a top plan view of the sign panel.  
The bottom plan view is plain and unornamental and not part of the claimed design.

**1 Claim, 4 Drawing Sheets**

(56) **References Cited**

**U.S. PATENT DOCUMENTS**

2,953,114 A \* 9/1960 Hedger ..... B60Q 7/005  
116/63 P  
3,380,428 A \* 4/1968 Abrams ..... E01F 9/688  
116/63 P  
3,499,413 A \* 3/1970 Heard ..... E01F 9/688  
116/63 P  
D274,895 S \* 7/1984 Schwab ..... D10/109.1  
D276,510 S \* 11/1984 Bent ..... D10/113.2  
D330,919 S \* 11/1992 Von Canal ..... D20/10  
D371,807 S \* 7/1996 Mandell ..... D10/113.1  
D395,677 S \* 6/1998 Gongora ..... D20/10



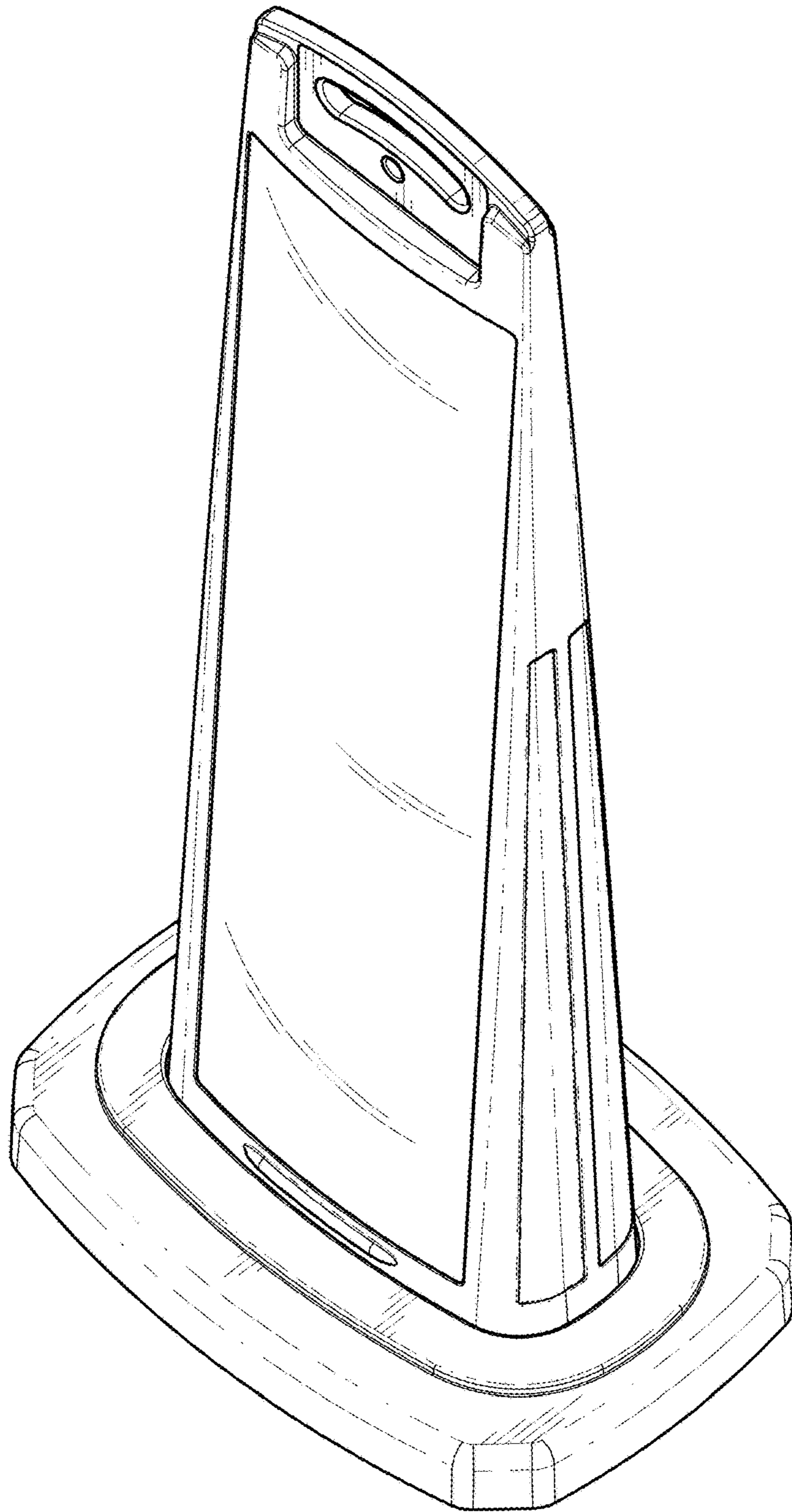
(56)

**References Cited**

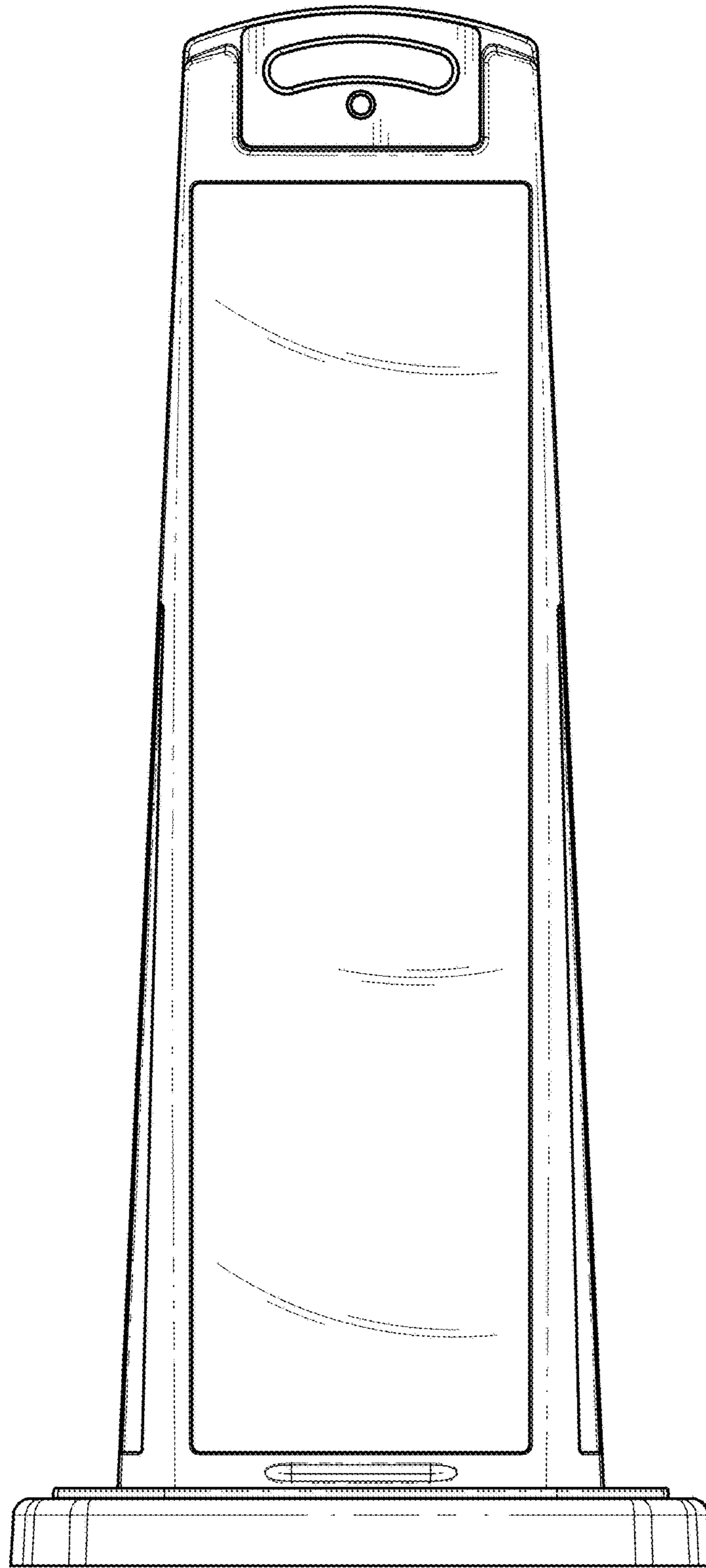
U.S. PATENT DOCUMENTS

D756,831 S \* 5/2016 Libbey ..... D10/113.4  
D782,932 S \* 4/2017 Tohikian ..... D10/113.4  
D787,969 S \* 5/2017 Tsui ..... D10/113.4  
D802,672 S \* 11/2017 Brogan ..... D20/39  
D806,797 S \* 1/2018 Irek ..... D20/10

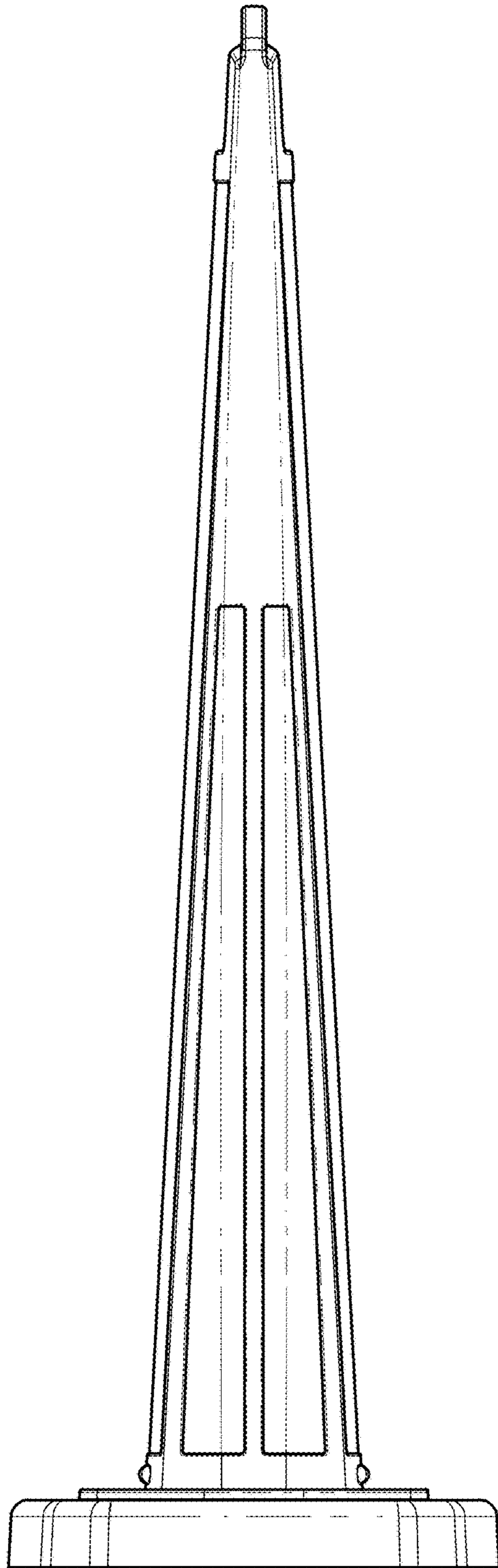
\* cited by examiner



*FIG. 1*

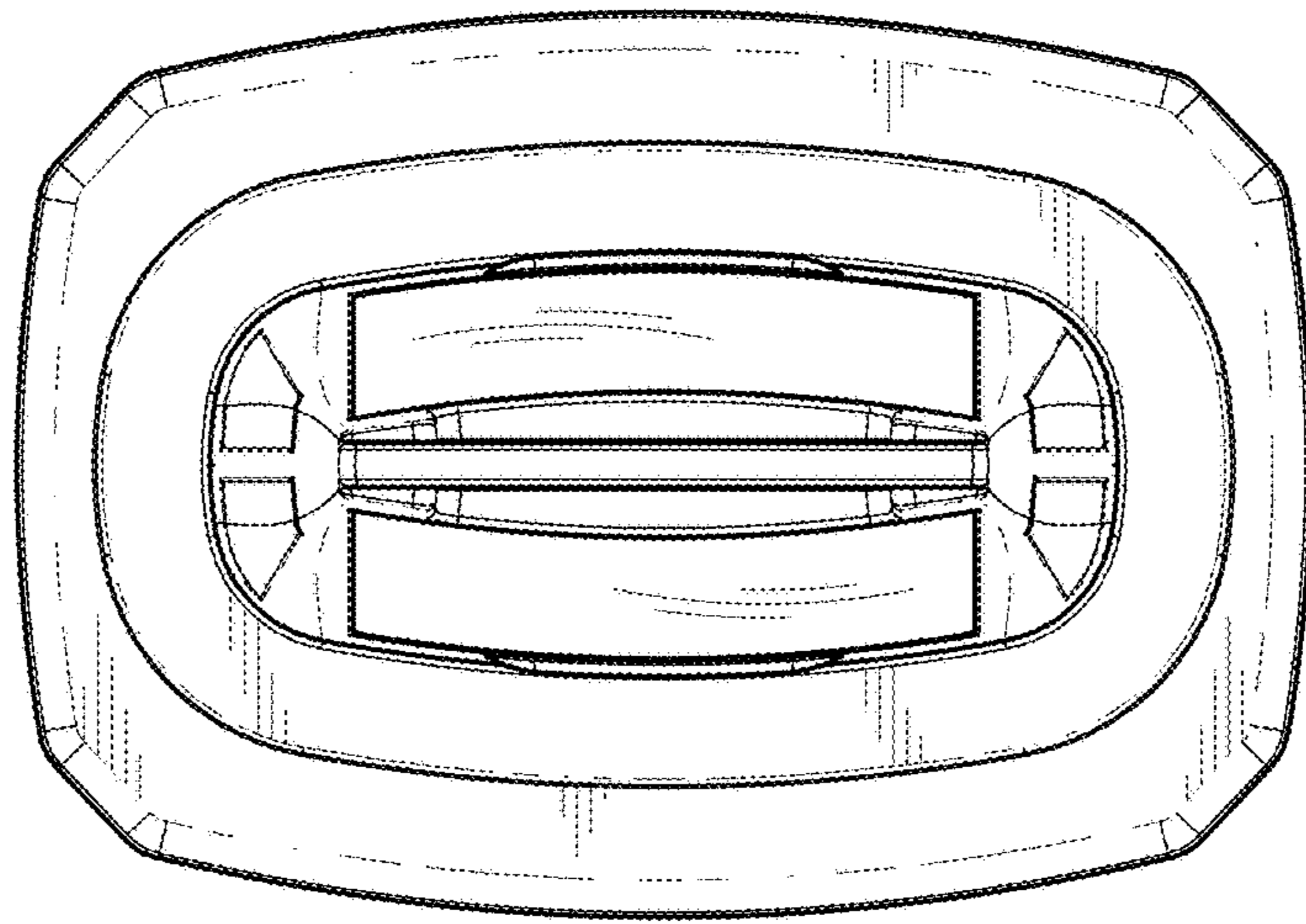


*FIG. 2*



*FIG. 3*





*FIG. 4*