



US00D833523S

(12) **United States Design Patent** (10) **Patent No.:** **US D833,523 S**
Takahashi et al. (45) **Date of Patent:** **** Nov. 13, 2018**

(54) **INK CARTRIDGE**
(71) Applicant: **BROTHER INDUSTRIES, LTD.**,
Nagoya-shi, Aichi-ken (JP)
(72) Inventors: **Hiroaki Takahashi**, Nagoya (JP);
Toshiya Inada, Nagoya (JP); **Masahide**
Asano, Nagoya (JP)
(73) Assignee: **BROTHER INDUSTRIES, LTD.**,
Nagoya (JP)

8,109,615 B2 * 2/2012 Kanbe B41J 2/17513
347/7
8,157,364 B2 * 4/2012 Sasaki B41J 2/17513
347/85
D659,188 S * 5/2012 Kanbe D18/56
8,317,307 B2 * 11/2012 Ishizawa B41J 2/17513
347/7

(Continued)

(**) Term: **15 Years**

(21) Appl. No.: **29/623,694**

(22) Filed: **Oct. 26, 2017**

(30) **Foreign Application Priority Data**

Apr. 27, 2017 (JP) 2017-009293

(51) **LOC (11) Cl.** **18-02**

(52) **U.S. Cl.**
USPC **D18/56**

(58) **Field of Classification Search**
USPC D18/56, 18, 40, 44, 58, 99
CPC . B41J 2/17; B41J 2/1721; B41J 2/1572; B41J
2/1574; B41J 2/17503; B41J 2/17553;
B41J 2/17556; B41J 2/16547
See application file for complete search history.

(56) **References Cited**

U.S. PATENT DOCUMENTS

D450,083 S * 11/2001 Bishop 347/86
D466,151 S * 11/2002 Shinada 347/86
D481,756 S * 11/2003 Shinada 347/86
D529,084 S * 9/2006 Myers D18/56
D563,463 S * 3/2008 Ishizawa 347/86
D603,895 S * 11/2009 Hattori D18/56
D627,818 S * 11/2010 Ishizawa 347/86
8,052,260 B2 * 11/2011 Hattori B41J 2/17513
347/86

OTHER PUBLICATIONS

Design U.S. Appl. No. 29/614,077, filed Aug. 16, 2017 in the name
of Hiroaki Takahashi et al.

(Continued)

Primary Examiner — Robin V Webster

Assistant Examiner — James C Thorn, Sr.

(74) *Attorney, Agent, or Firm* — Oliff PLC

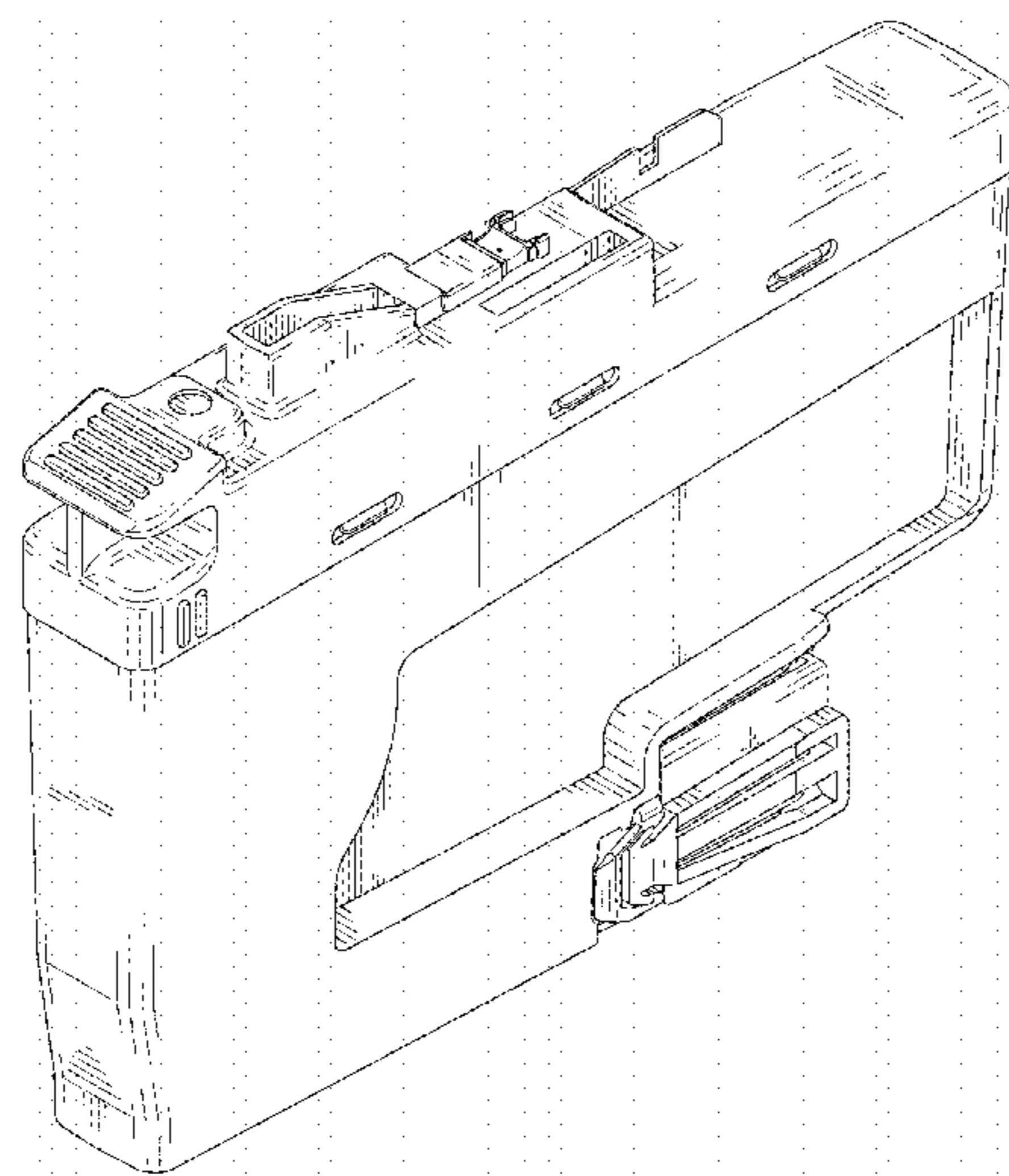
(57) **CLAIM**

The ornamental design for an ink cartridge, as shown and
described.

DESCRIPTION

FIG. 1 is a top front perspective view of an ink cartridge;
FIG. 2 is a front view thereof;
FIG. 3 is a top view thereof;
FIG. 4 is a right-side view thereof;
FIG. 5 is a left-side view thereof;
FIG. 6 is a rear view thereof;
FIG. 7 is a bottom view thereof;
FIG. 8 is a top rear perspective view thereof;
FIG. 9 is a bottom front perspective view thereof;
FIG. 10 is a section view thereof taken along 10-10 in FIG.
2; and,
FIG. 11 is a section view thereof taken along 11-11 in FIG.
5.
The evenly spaced broken lines depict environmental sub-
ject matter only and form no part of the claimed design.

1 Claim, 10 Drawing Sheets



(56)

References Cited

U.S. PATENT DOCUMENTS

D677,721 S * 3/2013 Kawate D18/56
D680,164 S * 4/2013 Kawate D18/56
D680,165 S 4/2013 Takagi et al.
D681,728 S 5/2013 Takagi et al.
D692,052 S * 10/2013 Ishizawa D18/56
D692,947 S * 11/2013 Nozawa D18/56
8,657,423 B2 * 2/2014 Gonzales B41J 2/17513
347/85
D707,290 S * 6/2014 Harvey D18/56
D712,464 S * 9/2014 Harvey D18/56
D712,466 S * 9/2014 Nagashima D18/56
D721,132 S 1/2015 Kobayashi
D729,312 S * 5/2015 Harvey D18/56
9,597,882 B2 * 3/2017 Gonzales B41J 2/17513
D783,089 S 4/2017 Okazaki
D783,090 S 4/2017 Okazaki
D783,091 S 4/2017 Okazaki
D786,347 S 5/2017 Okazaki
9,802,418 B2 * 10/2017 Nagashima B41J 2/17536
D815,200 S * 4/2018 Ishizawa D18/56

OTHER PUBLICATIONS

Design U.S. Appl. No. 29/614,558, filed Aug. 21, 2017 in the name of Hiroaki Takahashi et al.

Design U.S. Appl. No. 29/613,770, filed Aug. 14, 2017 in the name of Akihito Ono.

Design U.S. Appl. No. 29/614,125, filed Aug. 16, 2017 in the name of Hiroaki Takahashi et al.

Design U.S. Appl. No. 29/614,544, filed Aug. 21, 2017 in the name of Hiroaki Takahashi et al.

Design U.S. Appl. No. 29/613,786, filed Aug. 14, 2017 in the name of Hiroaki Takahashi et al.

* cited by examiner

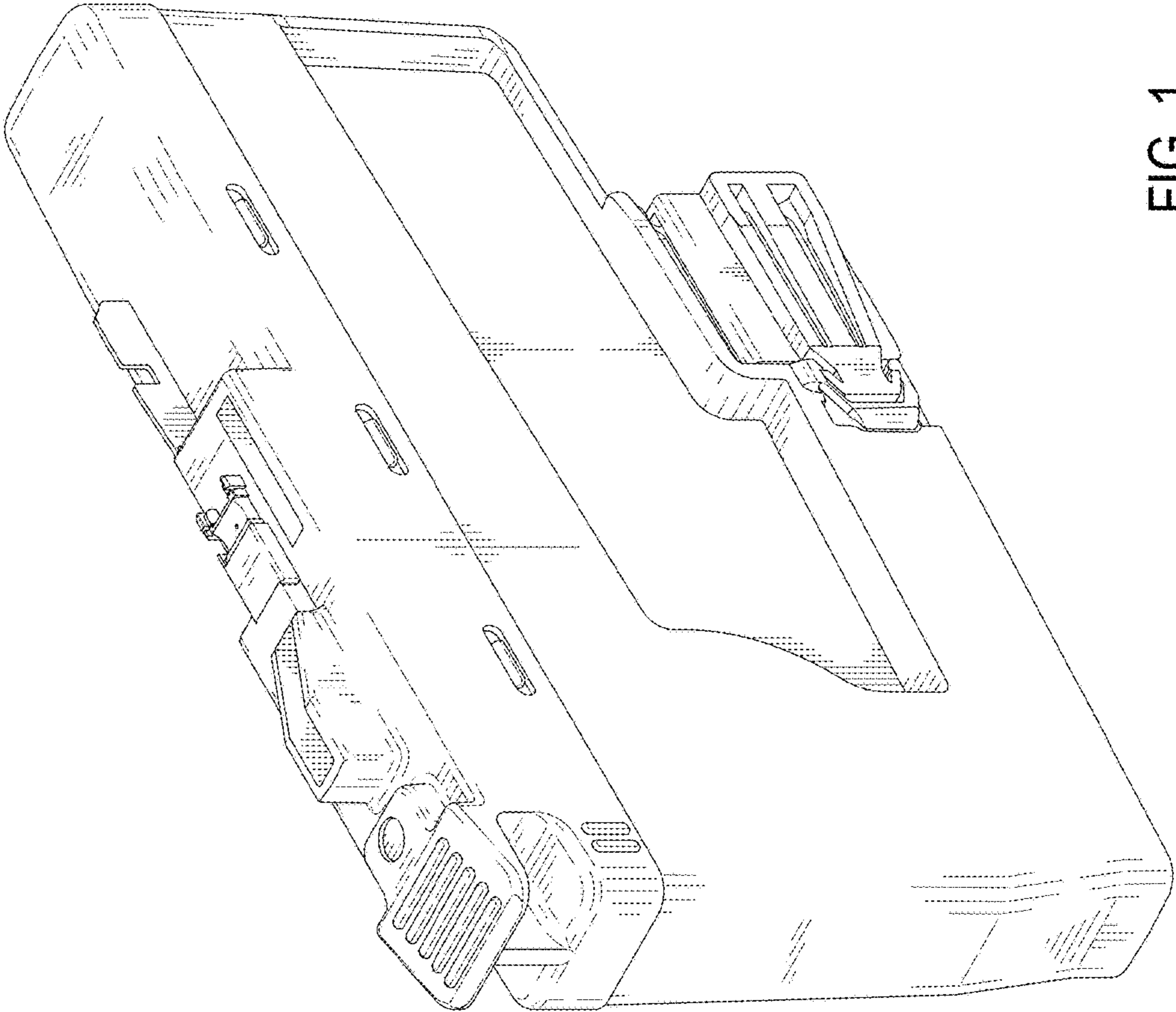


FIG. 1

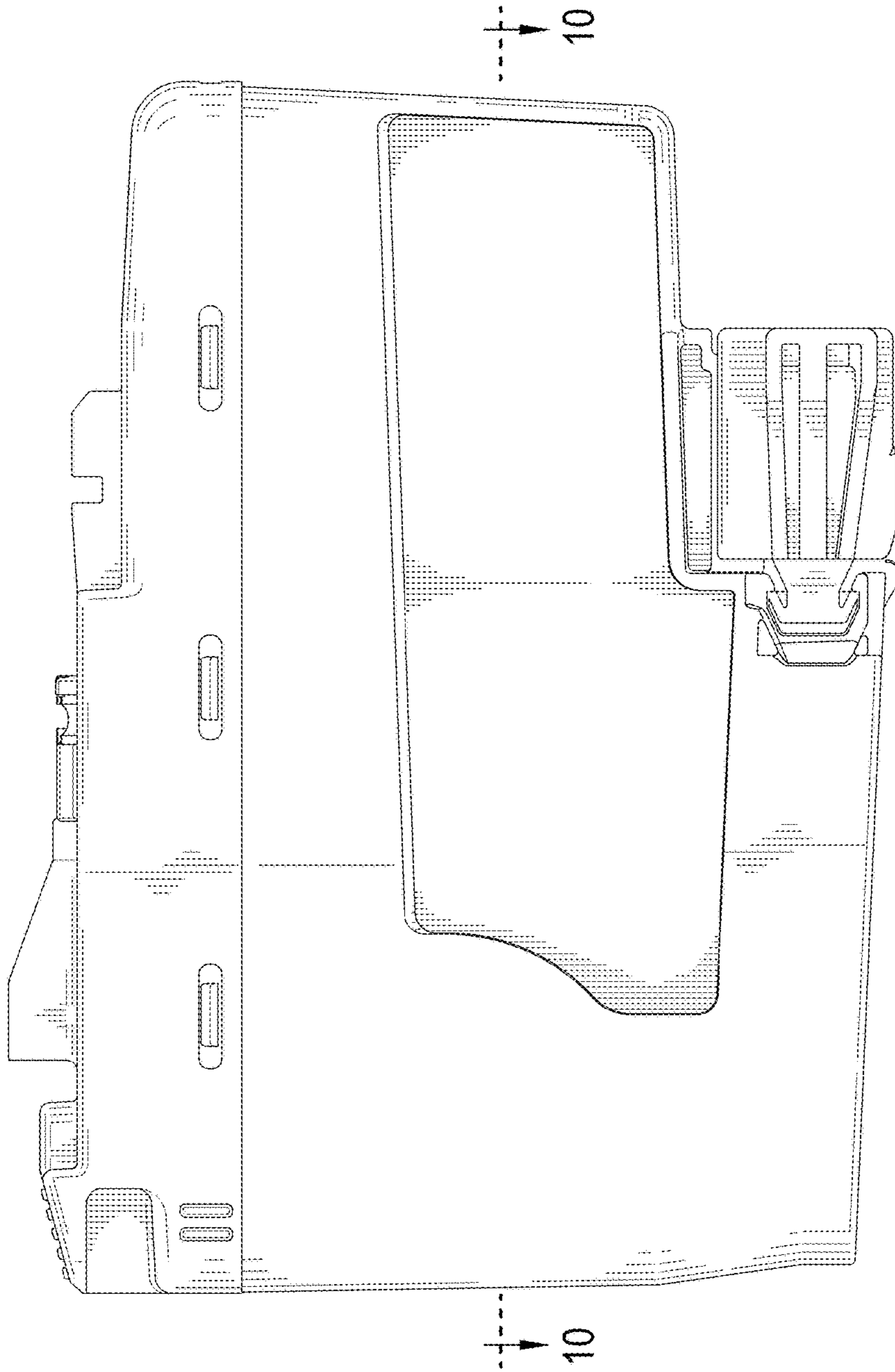


FIG. 2

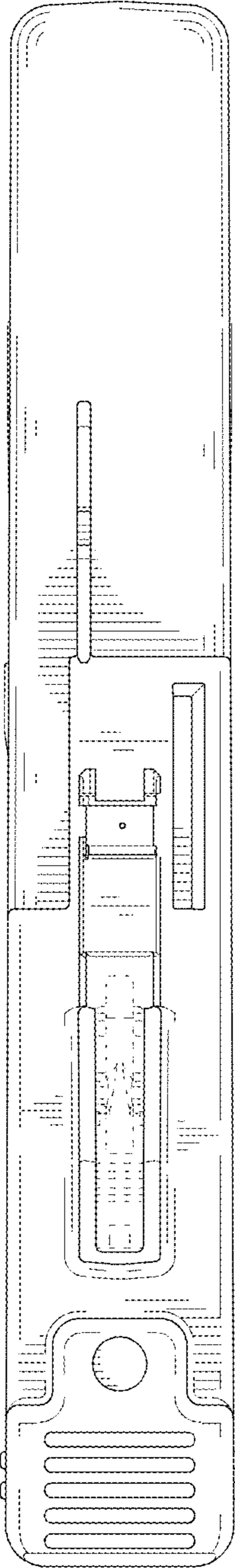


FIG. 3

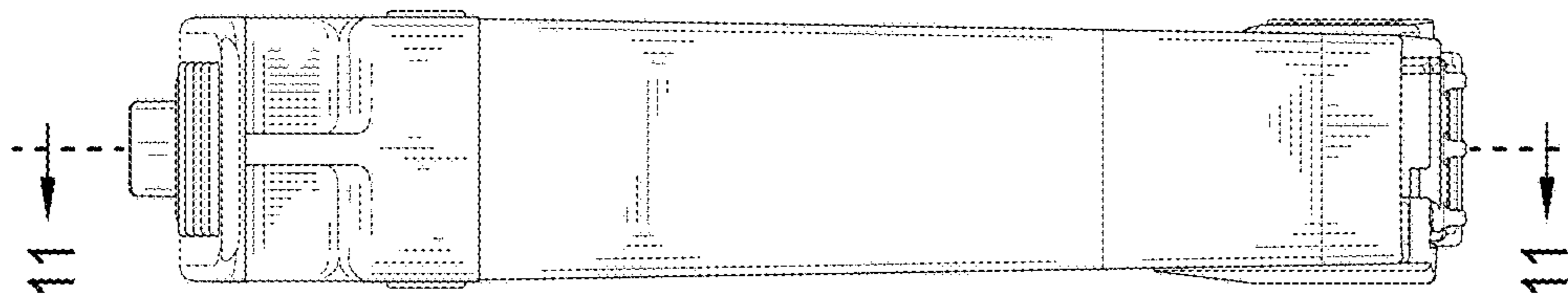


FIG. 5

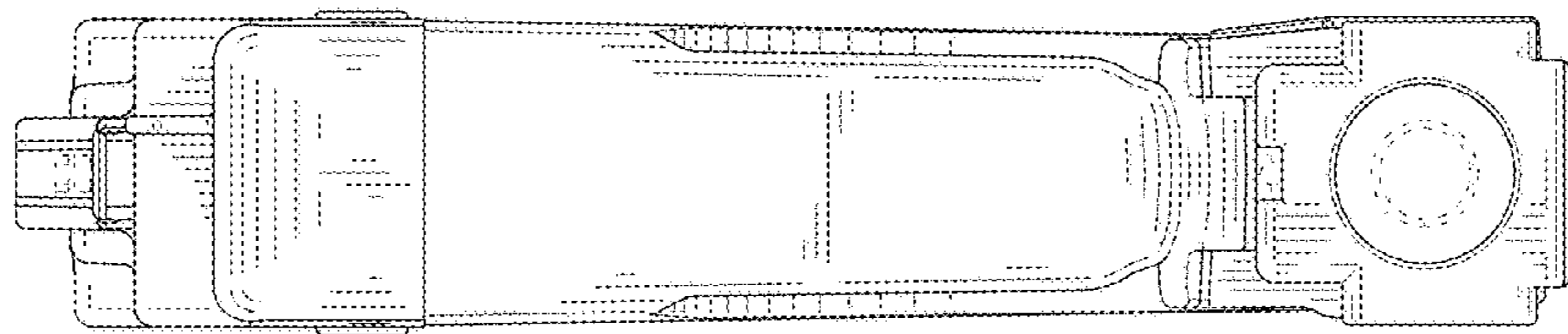


FIG. 4

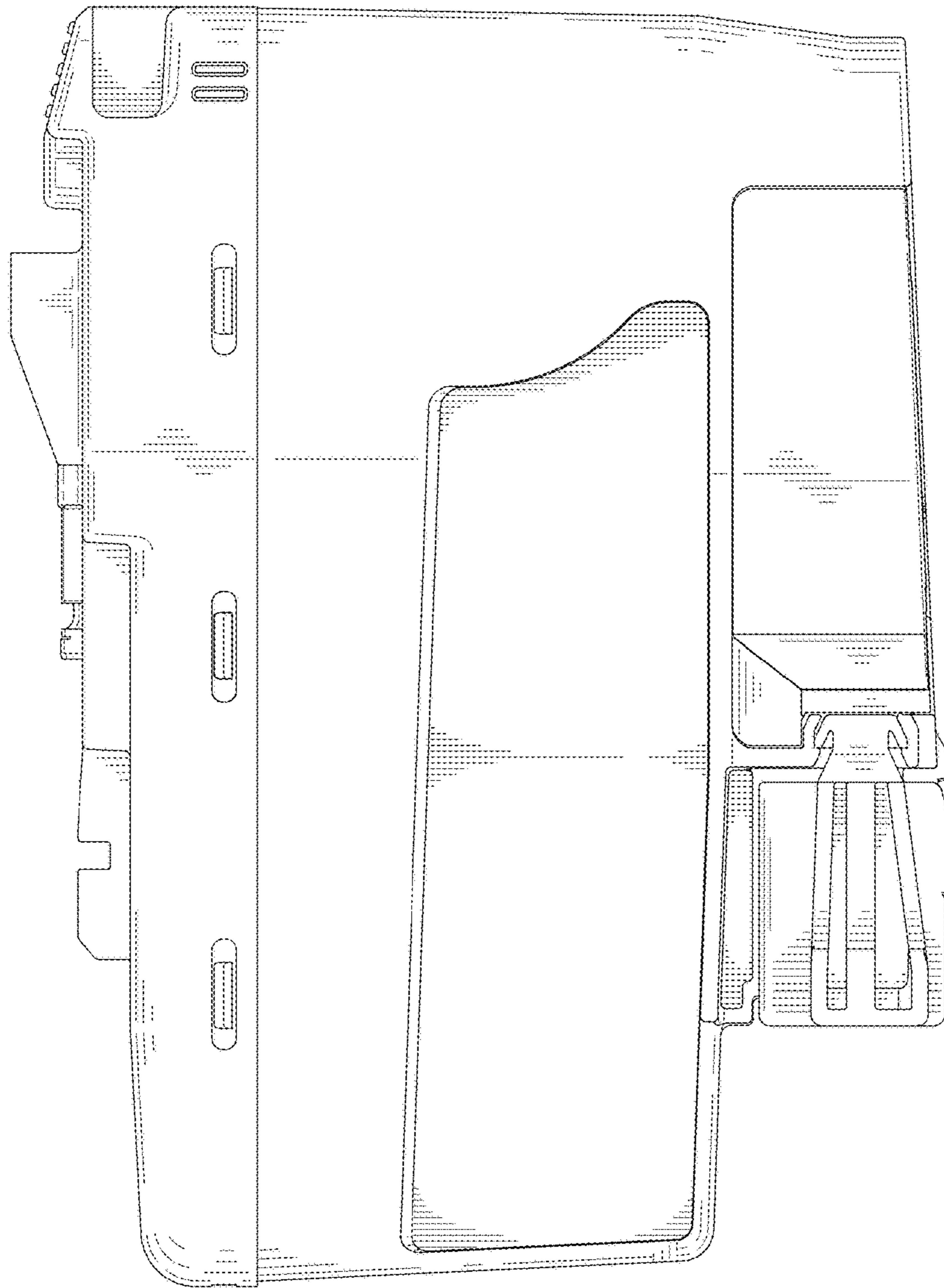


FIG. 6

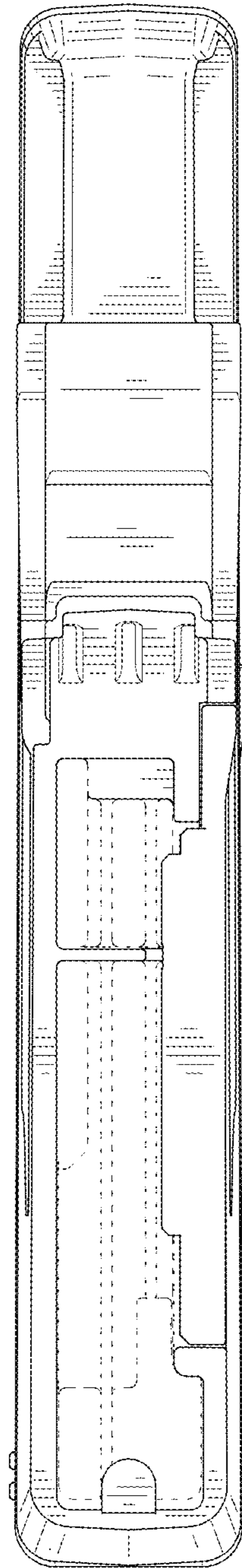


FIG. 7

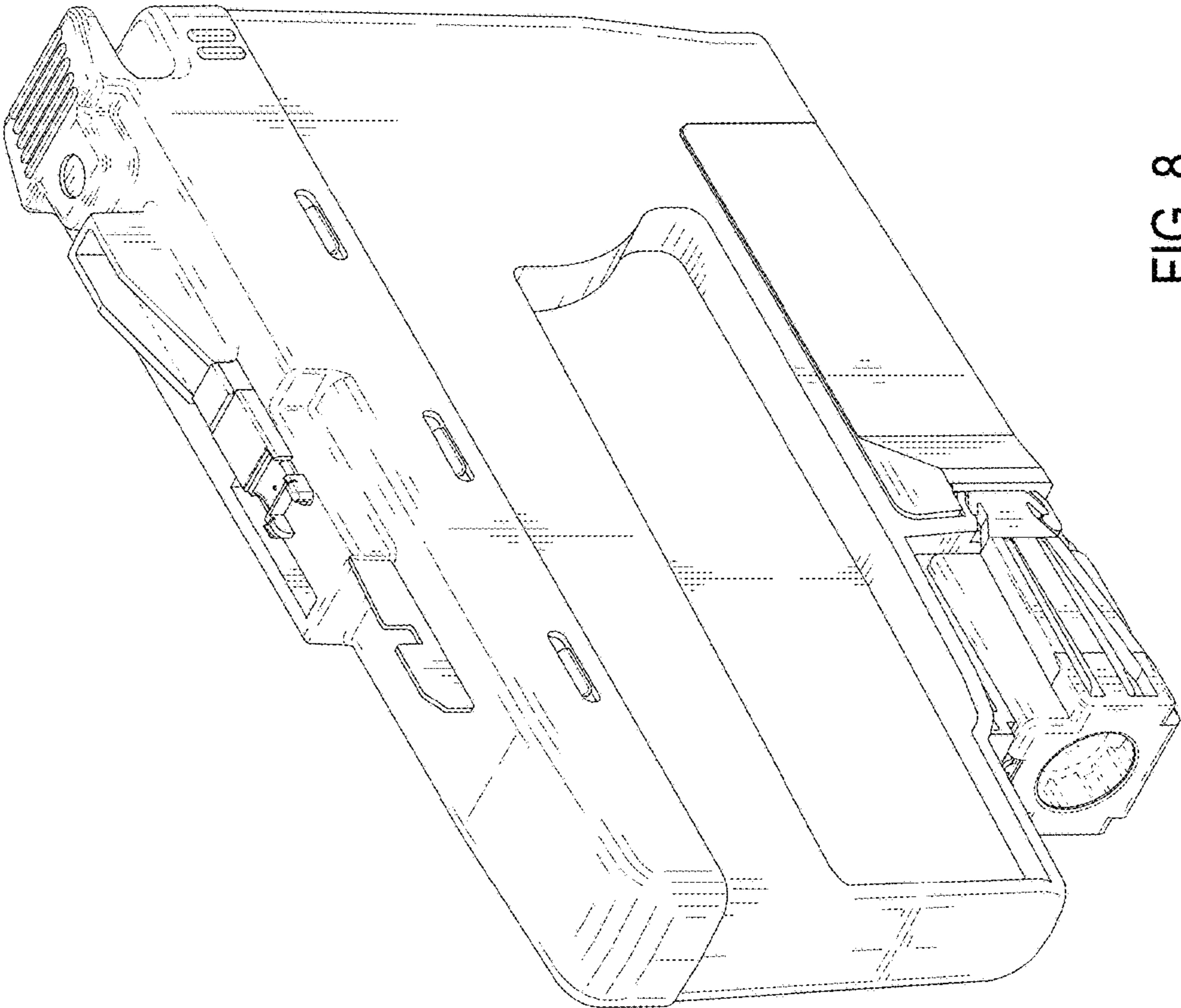


FIG. 8

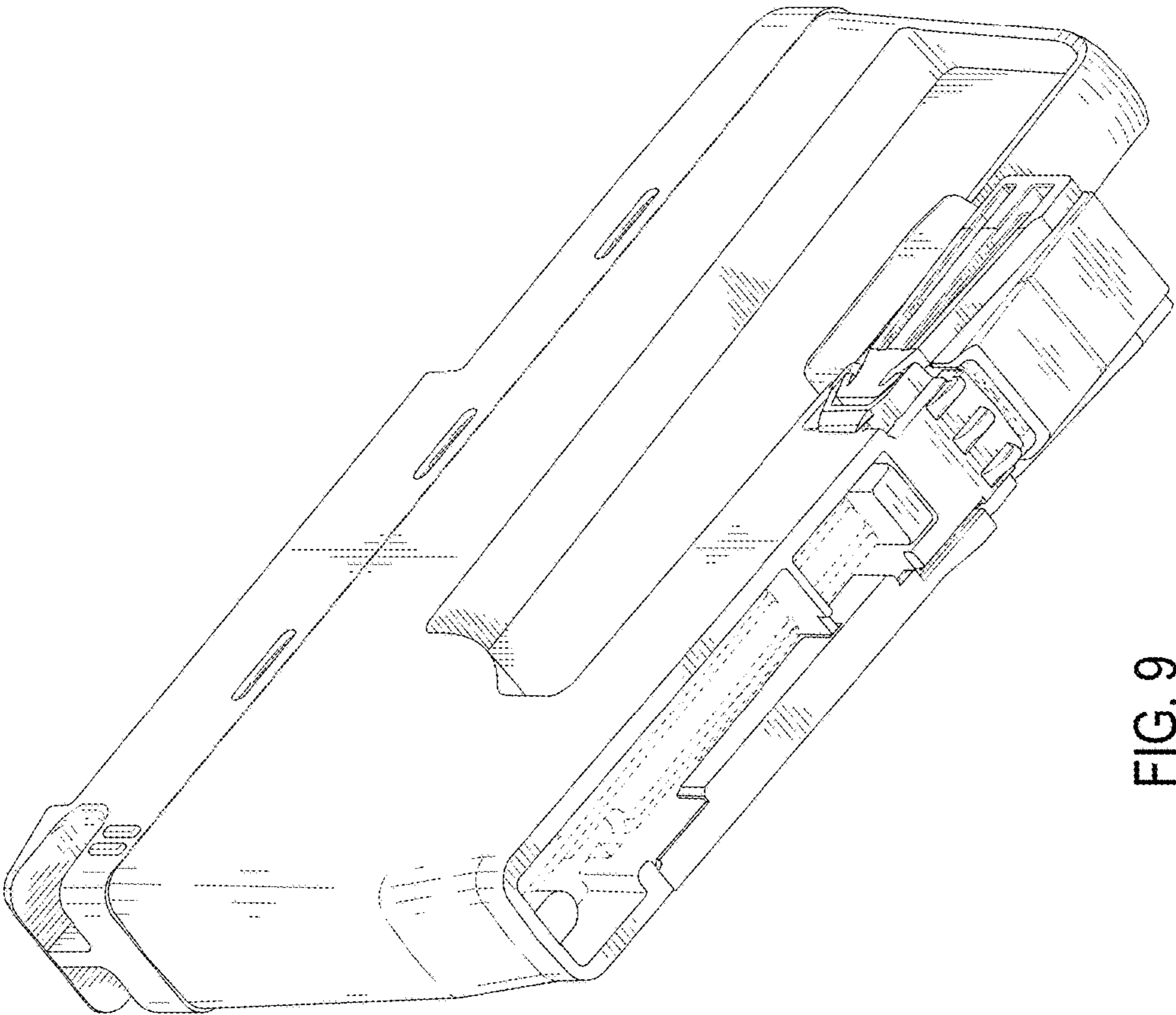


FIG. 9

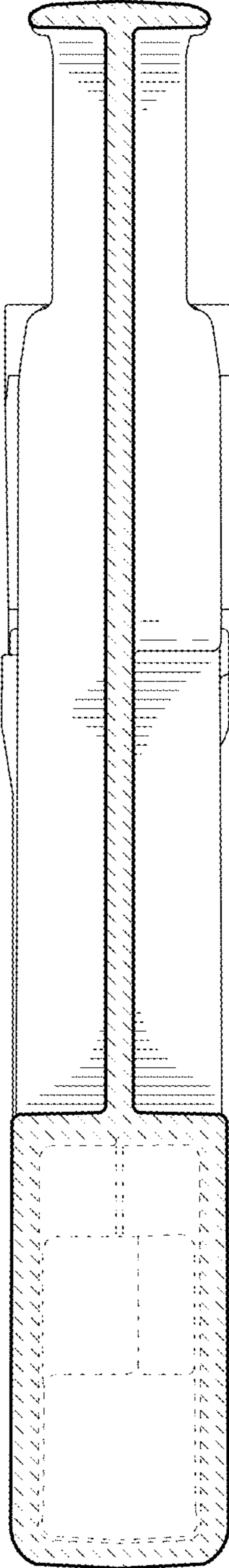


FIG. 10

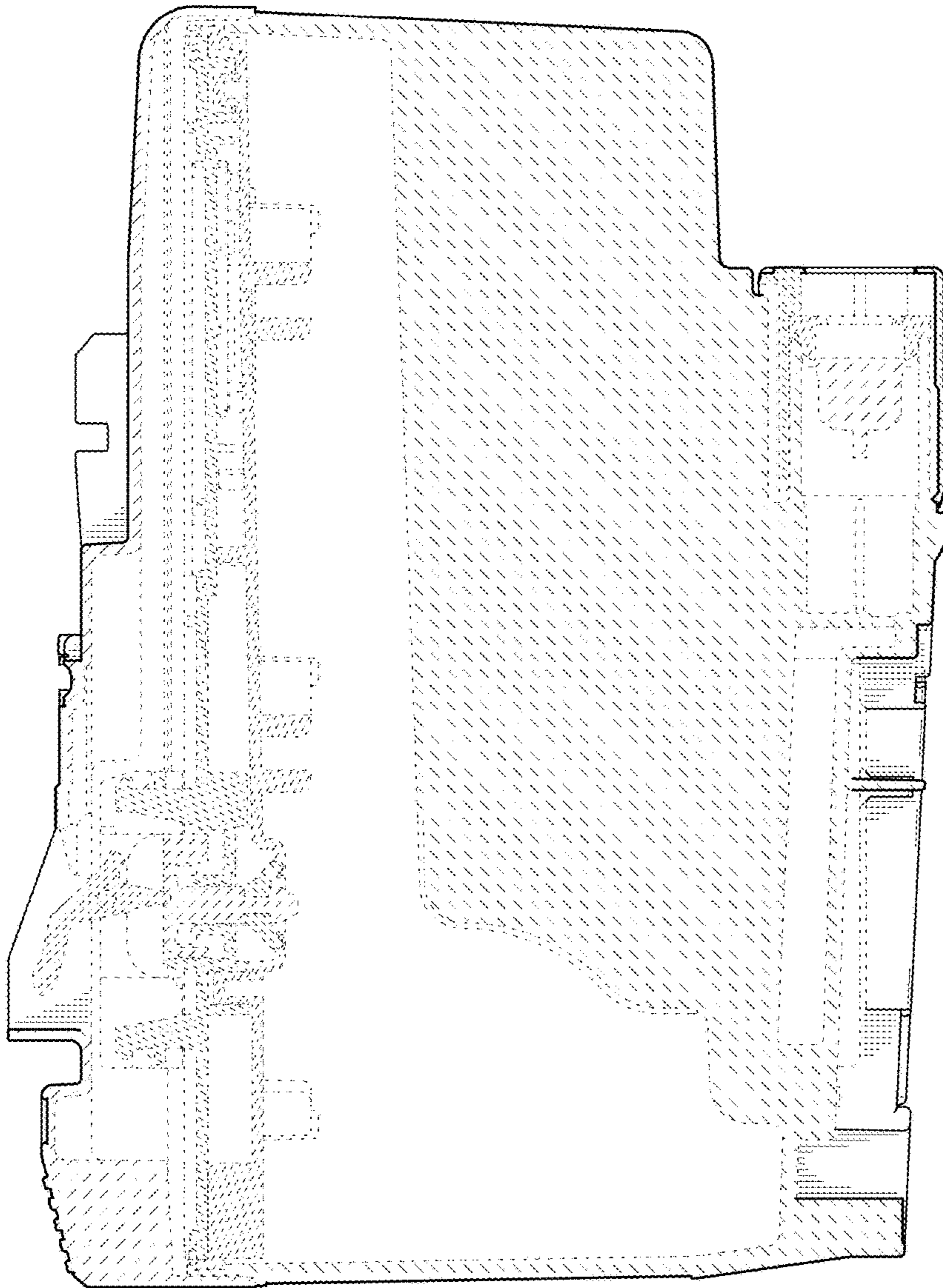


FIG. 11