



US00D833522S

(12) **United States Design Patent** (10) **Patent No.:** **US D833,522 S**
Takahashi et al. (45) **Date of Patent:** **** Nov. 13, 2018**

(54) **INK CARTRIDGE** 8,052,260 B2 * 11/2011 Hattori B41J 2/17513
 347/86
 (71) Applicant: **BROTHER INDUSTRIES, LTD.,** 8,109,615 B2 * 2/2012 Kanbe B41J 2/17513
 Nagoya-shi, Aichi-ken (JP) 347/7
 8,157,364 B2 * 4/2012 Sasaki B41J 2/17513
 347/85
 (72) Inventors: **Hiroaki Takahashi,** Nagoya (JP); D659,188 S * 5/2012 Kanbe D18/56
Toshiya Inada, Nagoya (JP); **Masahide** 8,317,307 B2 * 11/2012 Ishizawa B41J 2/17513
Asano, Nagoya (JP) 347/7
 D677,721 S * 3/2013 Kawate D18/56
 D680,164 S * 4/2013 Kawate D18/56
 D680,165 S 4/2013 Takagi et al.
 D681,728 S 5/2013 Takagi et al.
 D692,052 S * 10/2013 Ishizawa D18/56
 D692,947 S * 11/2013 Nozawa D18/56
 8,657,423 B2 * 2/2014 Gonzales B41J 2/17513
 347/85
 (**) Term: **15 Years** D707,290 S * 6/2014 Harvey D18/56

(21) Appl. No.: **29/614,077**

(22) Filed: **Aug. 16, 2017**

(30) **Foreign Application Priority Data**

Feb. 28, 2017 (JP) 2017-3890

(51) **LOC (11) Cl.** **18-02**

(52) **U.S. Cl.**
USPC **D18/56**

(58) **Field of Classification Search**
USPC D18/56, 18, 40, 44, 58, 99
CPC . B41J 2/17; B41J 2/1721; B41J 2/1572; B41J
2/1574; B41J 2/17503; B41J 2/17553;
B41J 2/17556; B41J 2/16547
See application file for complete search history.

(56) **References Cited**

U.S. PATENT DOCUMENTS

D450,083 S * 11/2001 Bishop 347/86
 D466,151 S * 11/2002 Shinada 347/86
 D481,756 S * 11/2003 Shinada 347/86
 D529,084 S * 9/2006 Myers D18/56
 D563,463 S * 3/2008 Ishizawa 347/86
 D603,895 S * 11/2009 Hattori D18/56
 D627,818 S * 11/2010 Ishizawa 347/86

(Continued)

Primary Examiner — Robin V Webster

Assistant Examiner — James C Thorn, Sr.

(74) *Attorney, Agent, or Firm* — Oliff PLC

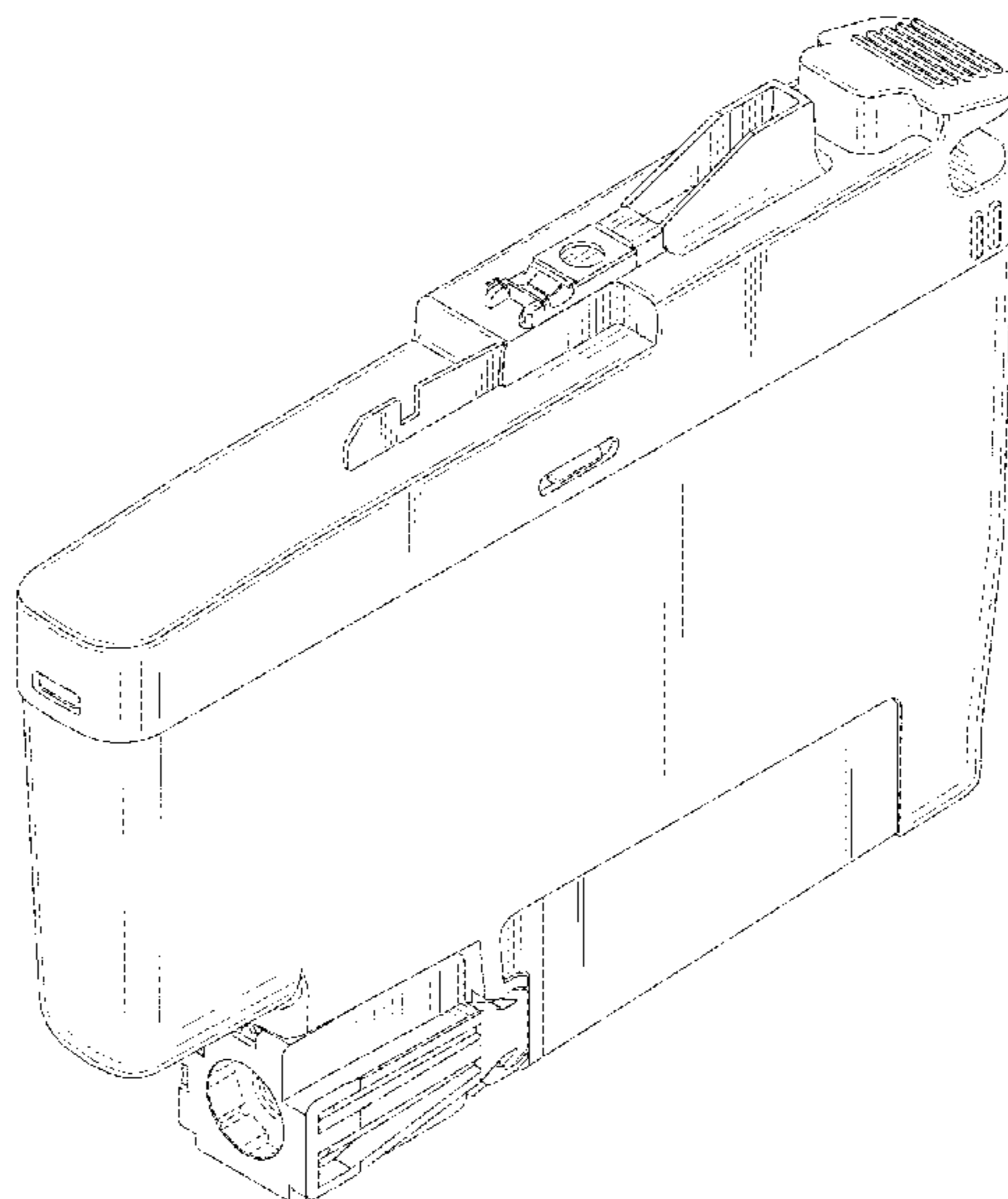
(57) **CLAIM**

The ornamental design for an ink cartridge, as shown and described.

DESCRIPTION

FIG. 1 is a front, top, left-side perspective view of an ink cartridge;
 FIG. 2 is a front view thereof;
 FIG. 3 is a top view thereof;
 FIG. 4 is a right-side view thereof;
 FIG. 5 is a left-side view thereof;
 FIG. 6 is a rear view thereof;
 FIG. 7 is a bottom view thereof;
 FIG. 8 is a rear, top, right-side perspective view thereof; and,
 FIG. 9 is front, bottom, left-side perspective view thereof.
 The broken lines depict unclaimed portions of the ink cartridge and form no part of the claimed design.

1 Claim, 8 Drawing Sheets



(56)

References Cited

U.S. PATENT DOCUMENTS

D712,464 S * 9/2014 Harvey D18/56
D712,466 S * 9/2014 Nagashima D18/56
D721,132 S 1/2015 Kobayashi
D729,312 S * 5/2015 Harvey D18/56
9,597,882 B2 * 3/2017 Gonzales B41J 2/17513
D783,089 S 4/2017 Okazaki
D783,090 S 4/2017 Okazaki
D783,091 S 4/2017 Okazaki
D786,347 S 5/2017 Okazaki
9,802,418 B2 * 10/2017 Nagashima B41J 2/17536
D815,200 S * 4/2018 Ishizawa D18/56

* cited by examiner

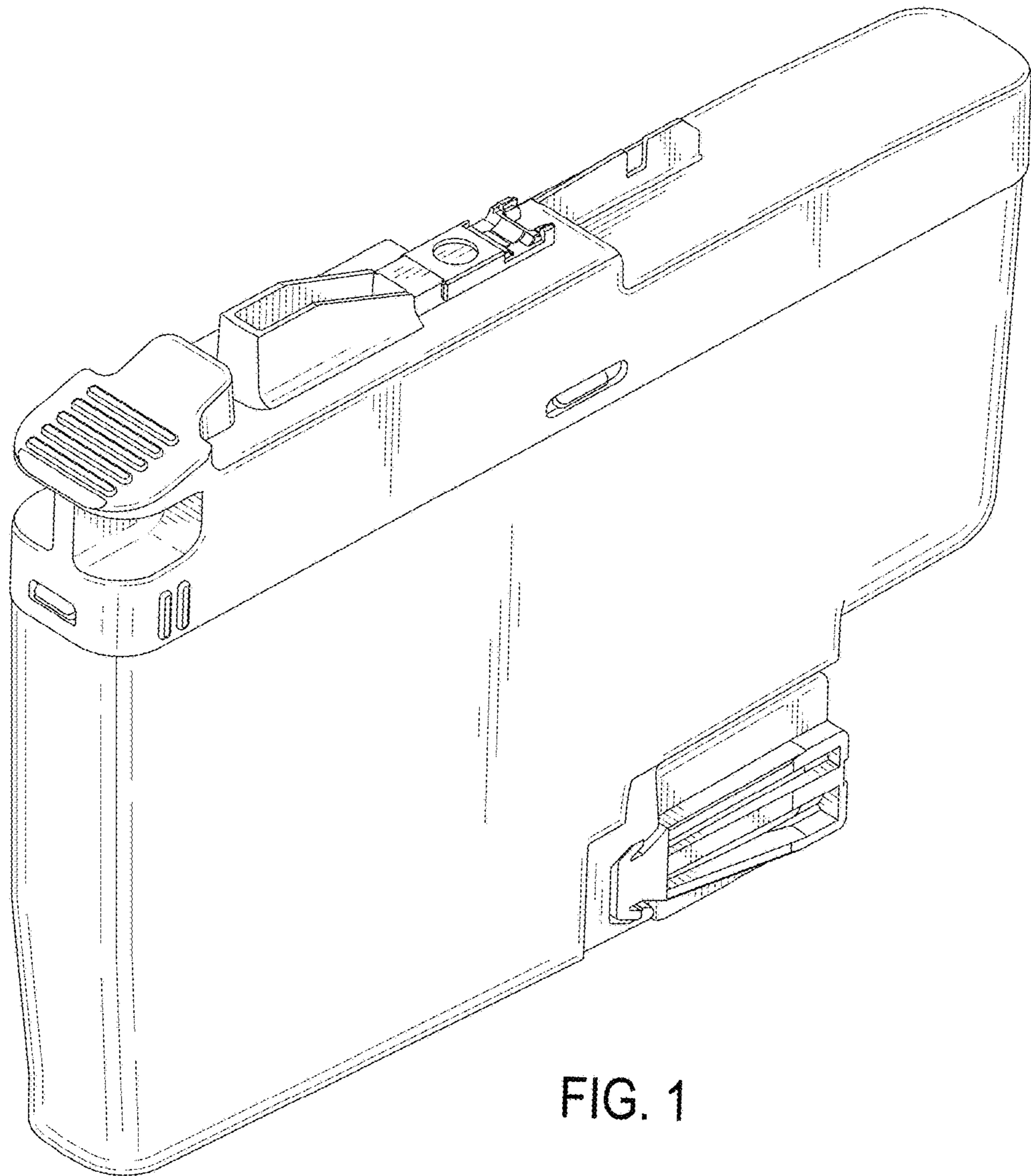


FIG. 1

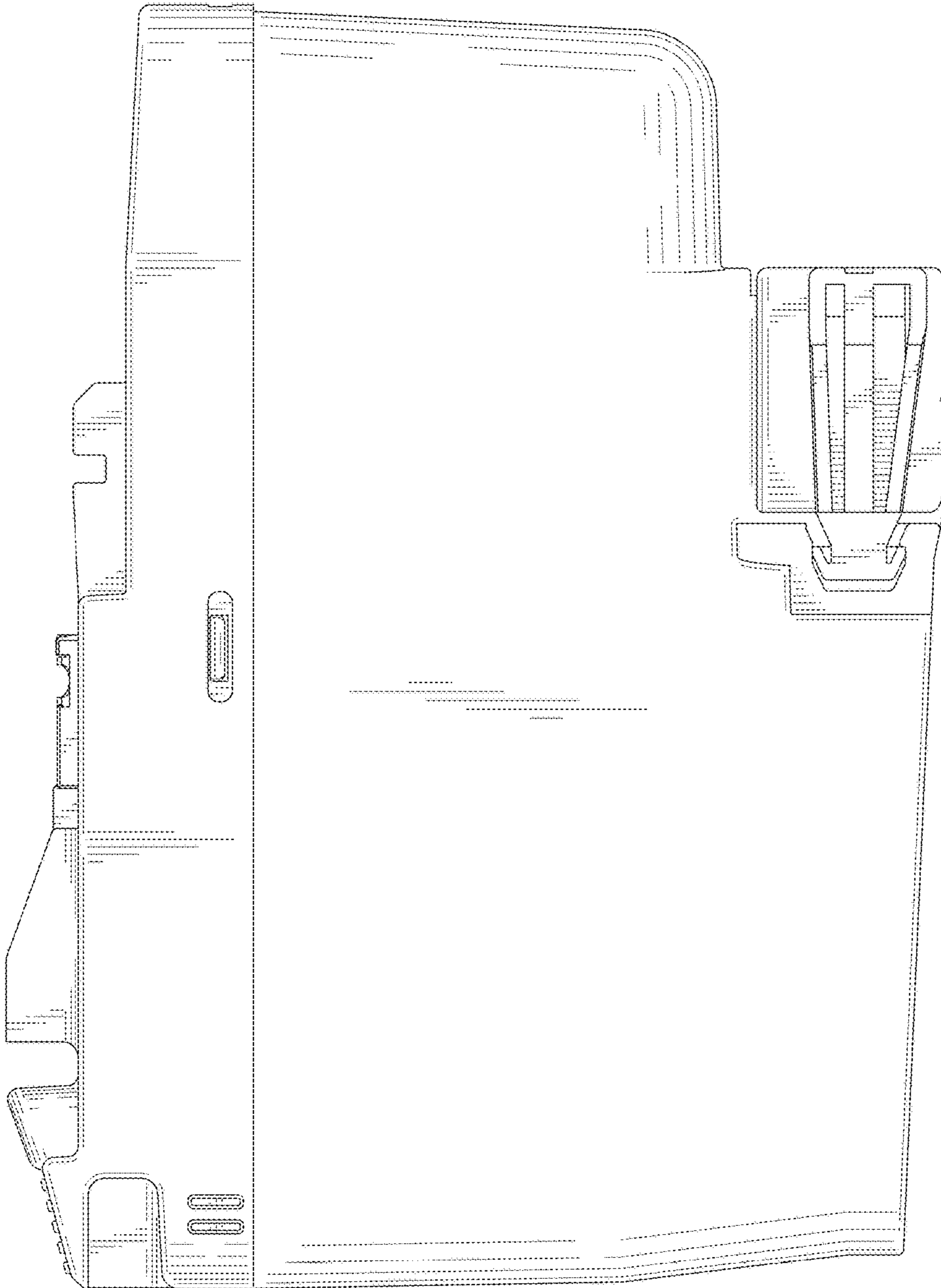


FIG. 2

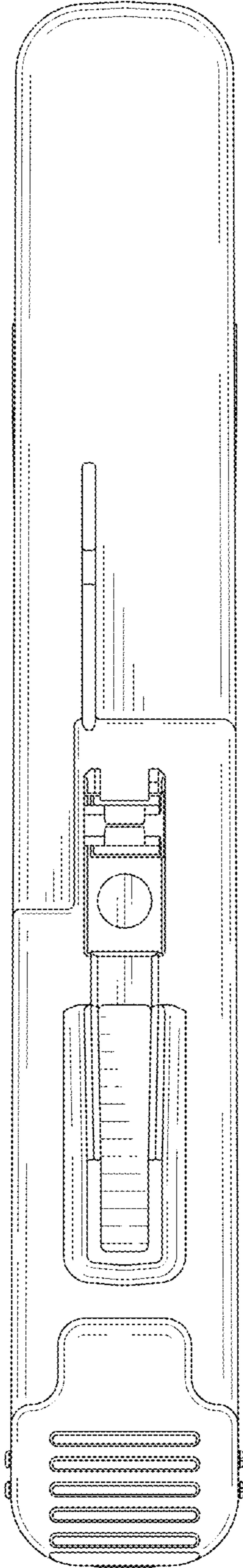


FIG. 3

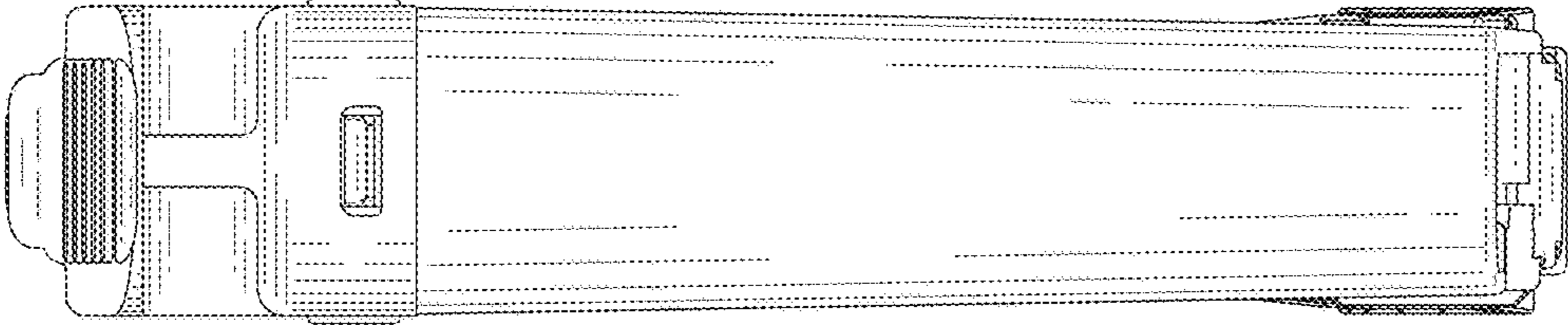


FIG. 5

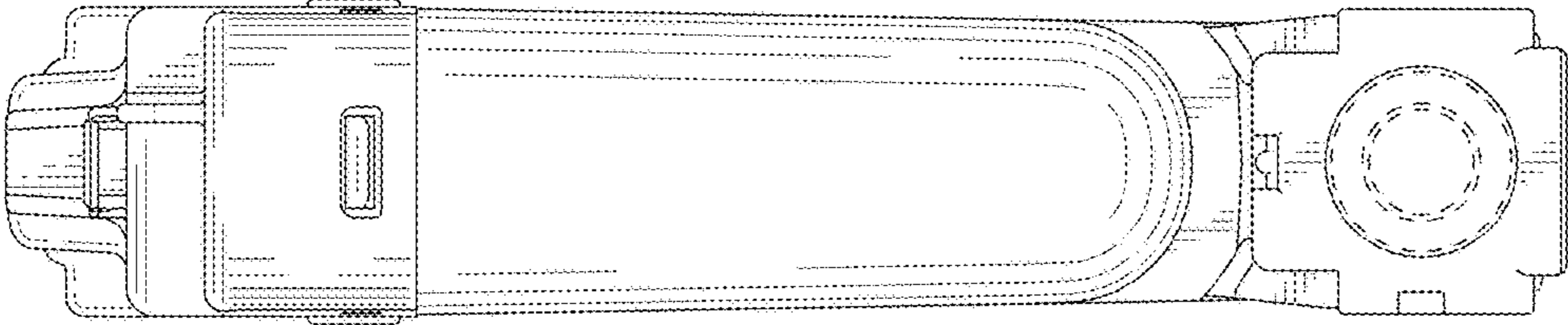


FIG. 4

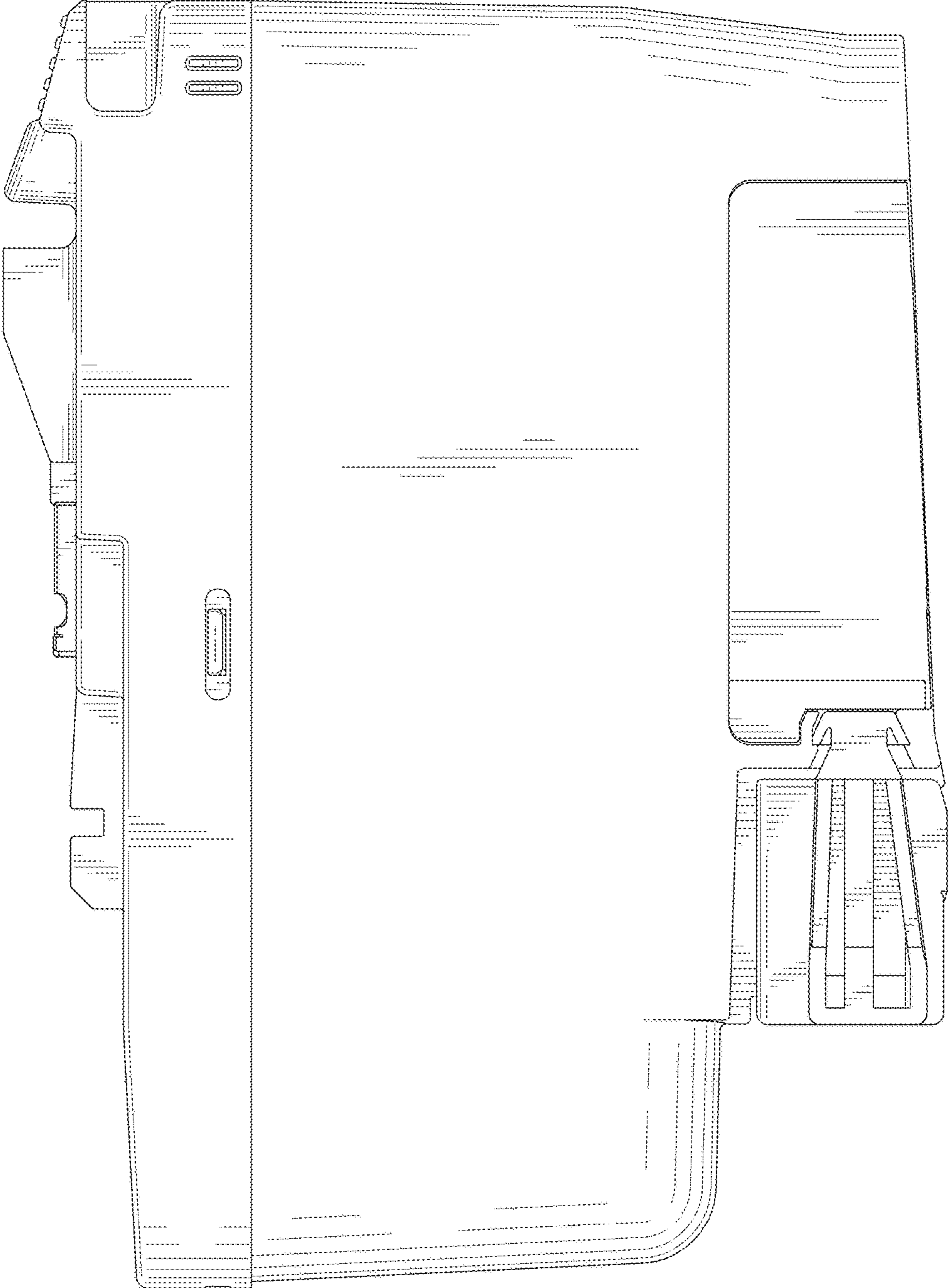


FIG. 6

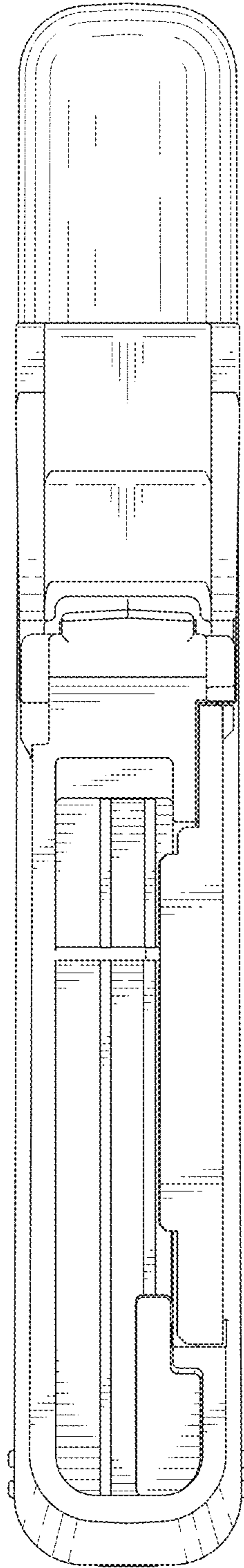


FIG. 7

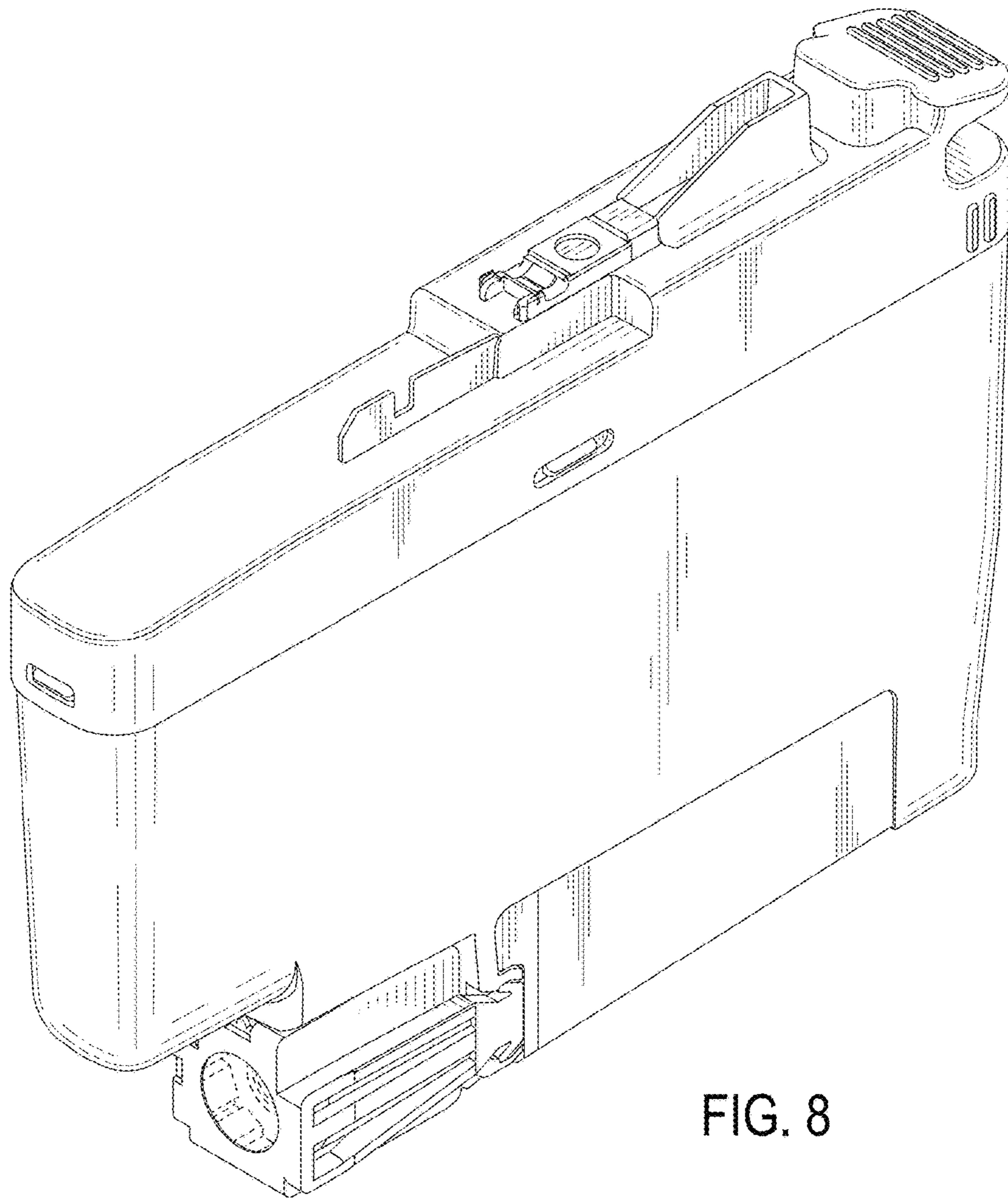


FIG. 8

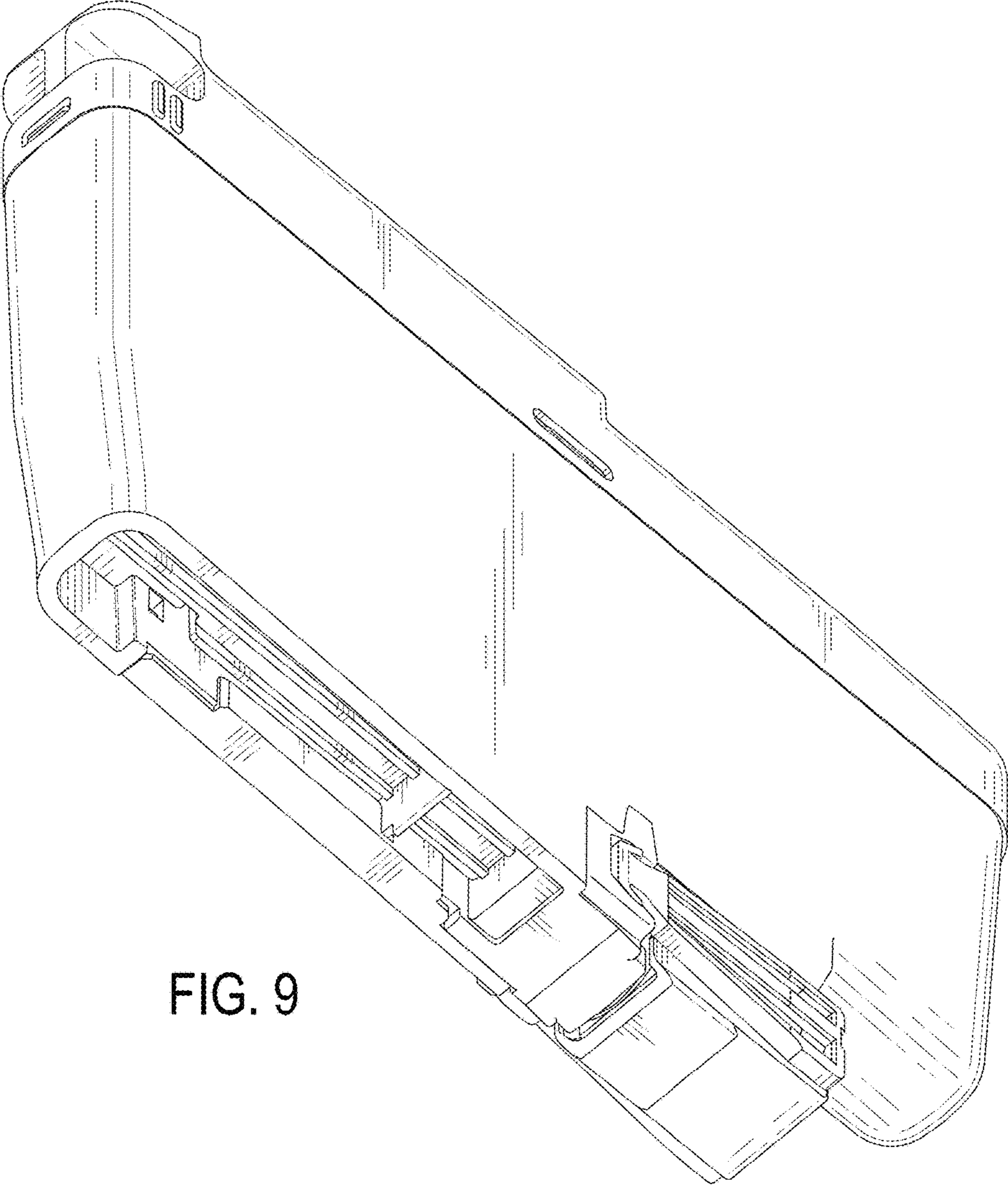


FIG. 9