



US00D833521S

(12) **United States Design Patent** (10) **Patent No.:** **US D833,521 S**  
**Nanno et al.** (45) **Date of Patent:** **\*\* Nov. 13, 2018**

(54) **PRINTER**  
(71) Applicant: **BROTHER INDUSTRIES, LTD.**,  
Nagoya-shi, Aichi-ken (JP)  
(72) Inventors: **Tomoyuki Nanno**, Nagoya (JP);  
**Masahide Asano**, Nagoya (JP)  
(73) Assignee: **BROTHER INDUSTRIES, LTD.**,  
Nagoya (JP)  
(\*\*) Term: **15 Years**  
(21) Appl. No.: **29/618,641**  
(22) Filed: **Sep. 22, 2017**  
(30) **Foreign Application Priority Data**  
Mar. 27, 2017 (JP) ..... 2017-6174  
(51) **LOC (11) Cl.** ..... **14-02**  
(52) **U.S. Cl.**  
USPC ..... **D18/50**  
(58) **Field of Classification Search**  
USPC ..... D18/6, 14, 19, 50, 54, 54.1;  
D14/420-425  
CPC ..... B41J 4/075; B41J 3/36  
See application file for complete search history.

(56) **References Cited**  
U.S. PATENT DOCUMENTS  
D386,515 S \* 11/1997 Somerville ..... D18/50  
D522,571 S \* 6/2006 Senda ..... D18/54  
D549,768 S \* 8/2007 Panebianco ..... D18/14  
D628,620 S \* 12/2010 Beck ..... D18/50  
D654,949 S \* 2/2012 Preliasco ..... D18/14  
D685,415 S \* 7/2013 Kinoshita ..... D18/54  
D692,051 S \* 10/2013 Yong ..... D18/50  
D713,871 S \* 9/2014 Preliasco ..... D18/14

D730,978 S \* 6/2015 Kinoshita ..... D18/50  
D744,028 S \* 11/2015 Odachi ..... D18/50  
D750,703 S \* 3/2016 Beck ..... D18/14  
D751,636 S \* 3/2016 Kinoshita ..... D18/19  
D765,773 S \* 9/2016 Ozawa ..... D18/14  
D777,249 S \* 1/2017 Tanaka ..... D18/19  
D786,963 S \* 5/2017 Mycroft ..... D18/50  
D790,006 S \* 6/2017 Yoshida ..... D18/14  
D798,379 S \* 9/2017 Beck ..... D18/14  
D801,092 S \* 10/2017 Merritt ..... D6/691  
D812,682 S \* 3/2018 Azegami ..... D18/50  
D820,351 S \* 6/2018 Maeda ..... D18/19  
2008/0069623 A1 \* 3/2008 Kobayashi ..... B26D 1/085  
400/621.1  
2017/0282613 A1 \* 10/2017 Tsuchimoto ..... B41J 3/36  
2017/0291438 A1 \* 10/2017 Hirose ..... B41J 29/02

**FOREIGN PATENT DOCUMENTS**

JP 1569579 S 2/2017

\* cited by examiner

*Primary Examiner* — Robin V Webster  
*Assistant Examiner* — James C Thorn, Sr.  
(74) *Attorney, Agent, or Firm* — Oliff PLC

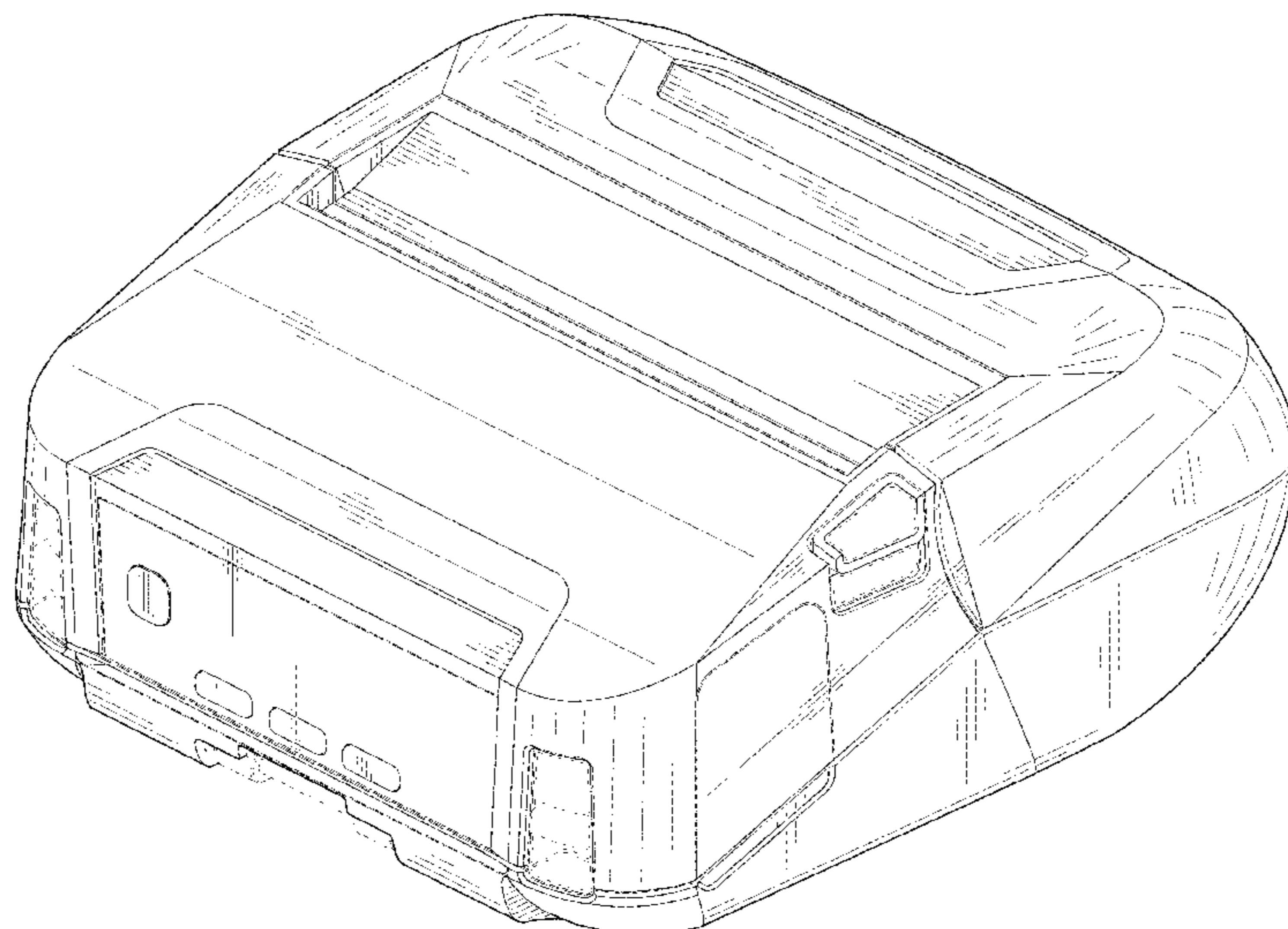
(57) **CLAIM**

The ornamental design for a printer, as shown and described.

**DESCRIPTION**

FIG. 1 is a perspective view of a printer;  
FIG. 2 is a front view thereof;  
FIG. 3 is a top view thereof;  
FIG. 4 is a right-side view thereof;  
FIG. 5 is a left-side view thereof;  
FIG. 6 is a rear view thereof; and,  
FIG. 7 is a bottom view thereof.  
The broken lines depict unclaimed portions of the printer  
and form no part of the claimed design.

**1 Claim, 7 Drawing Sheets**



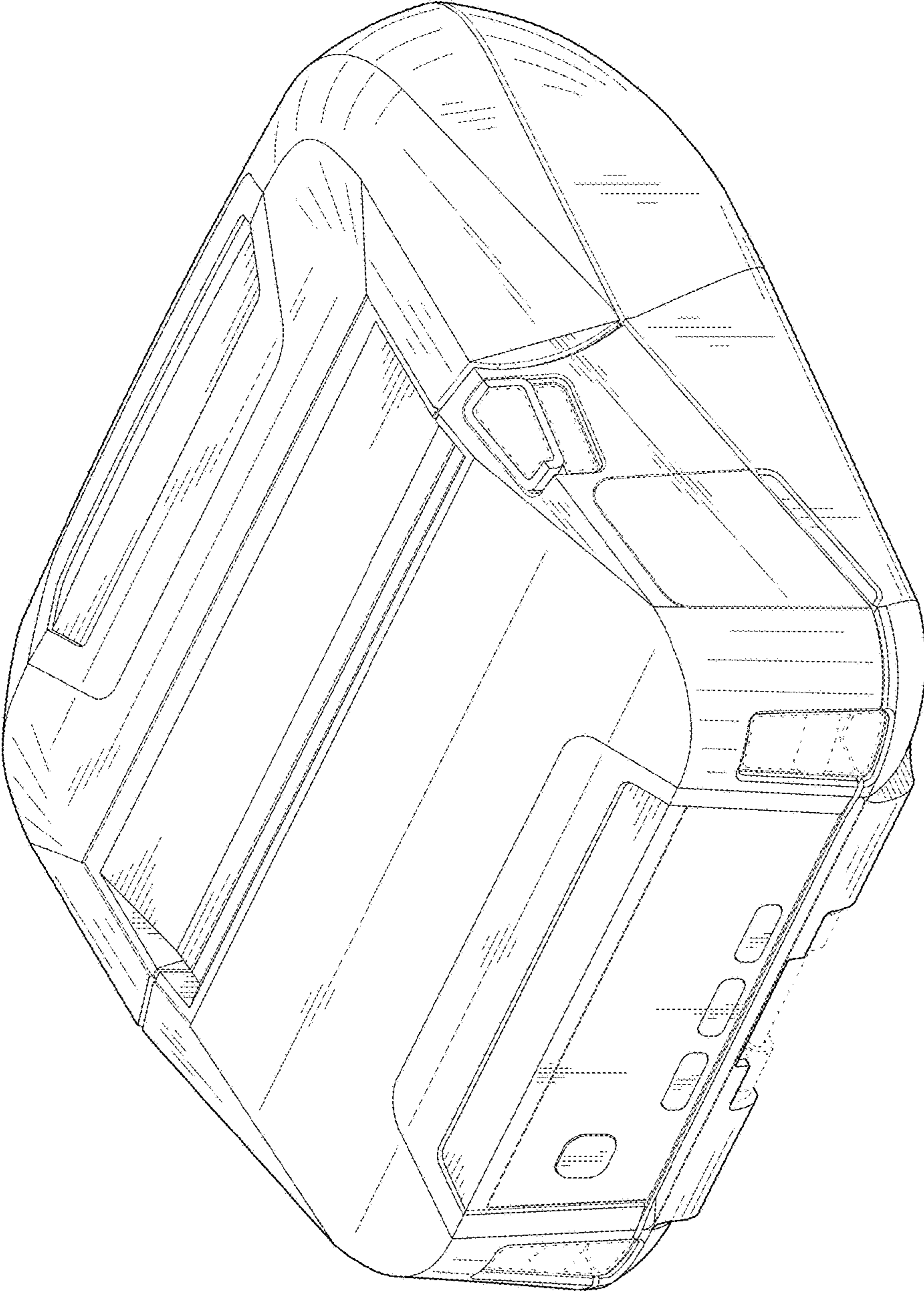


FIG. 1

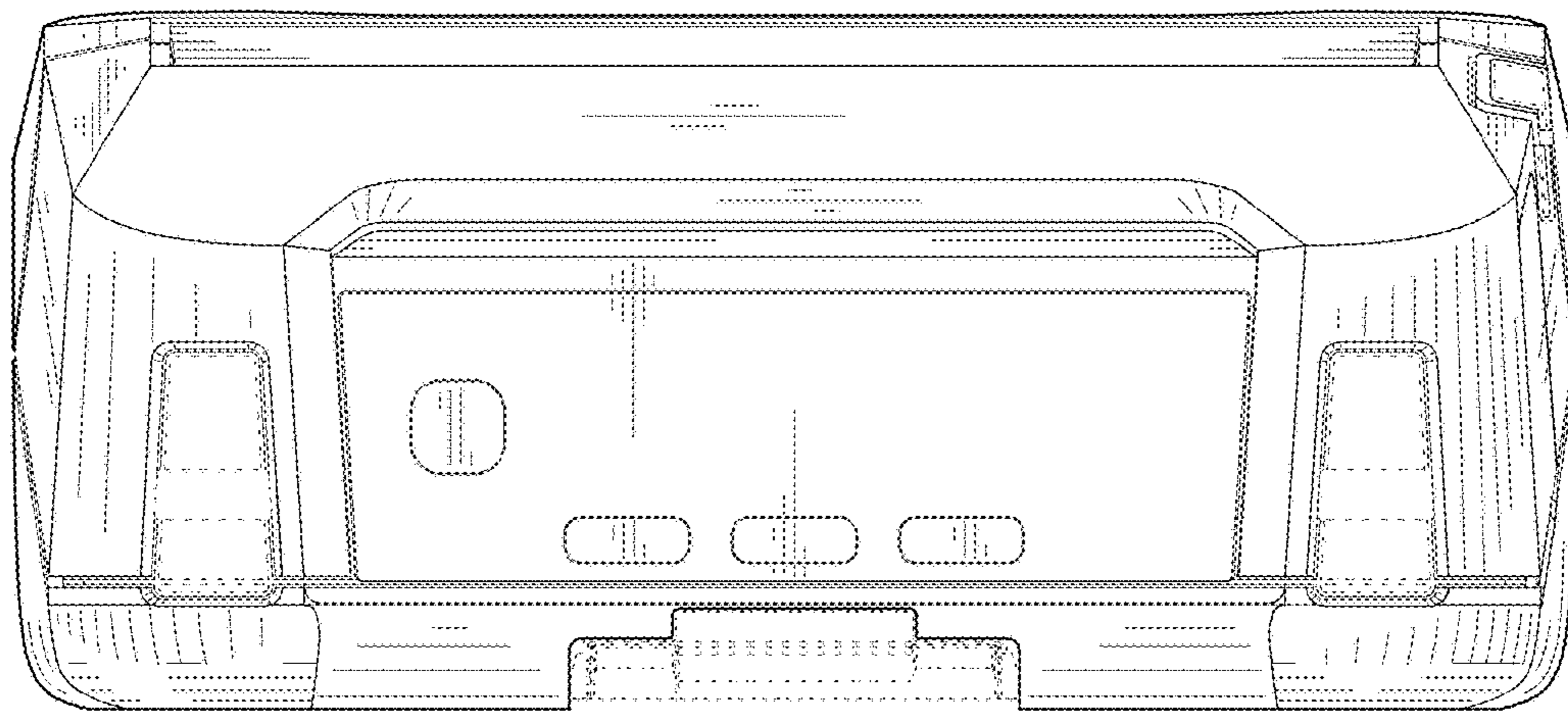


FIG. 2

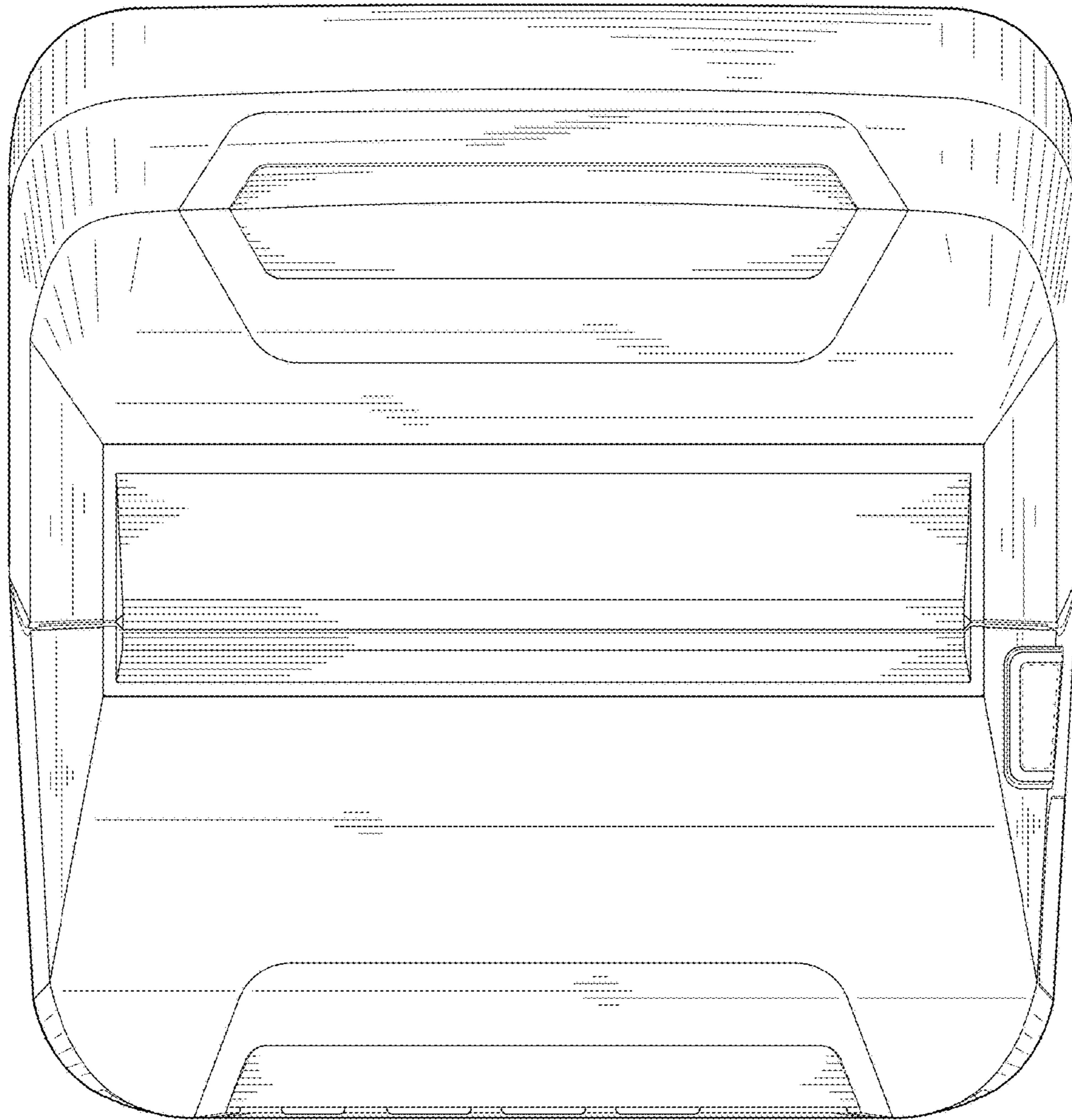


FIG. 3

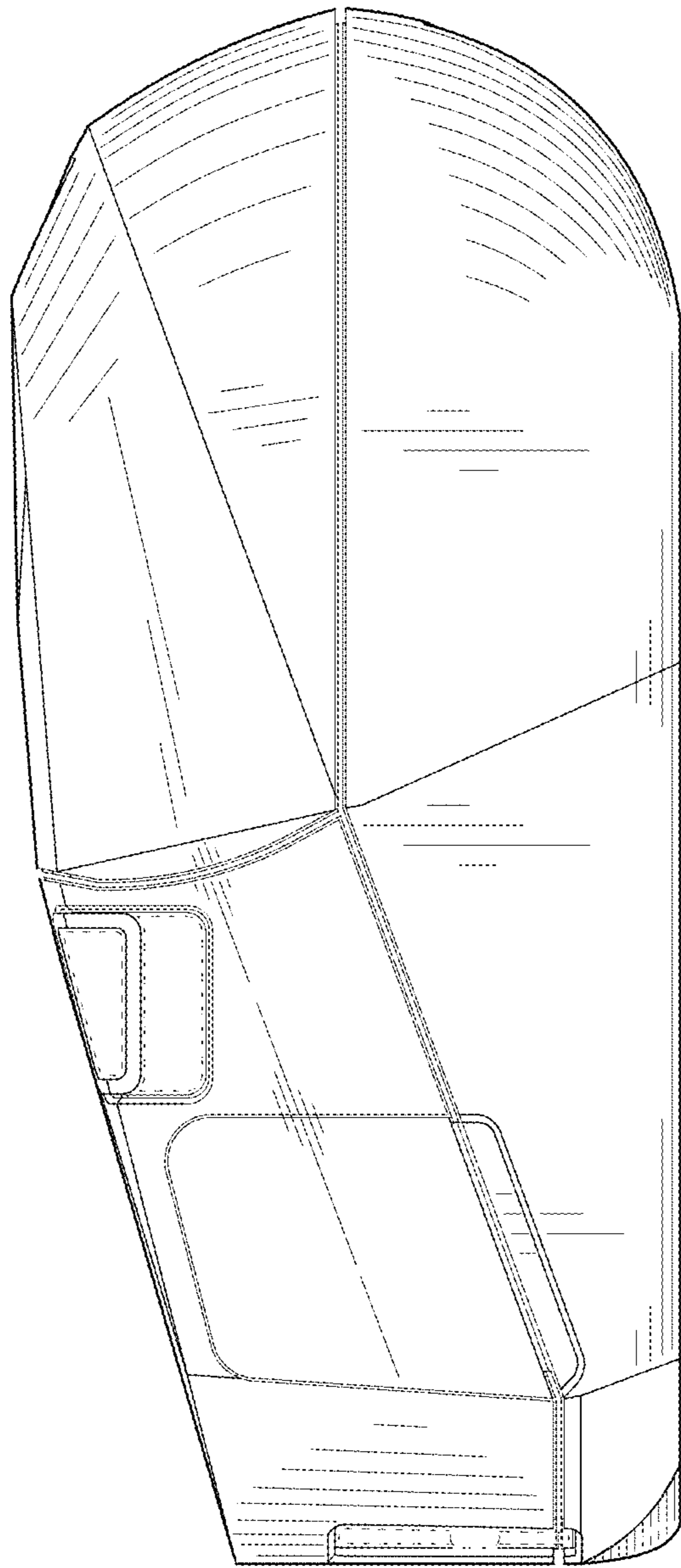


FIG. 4

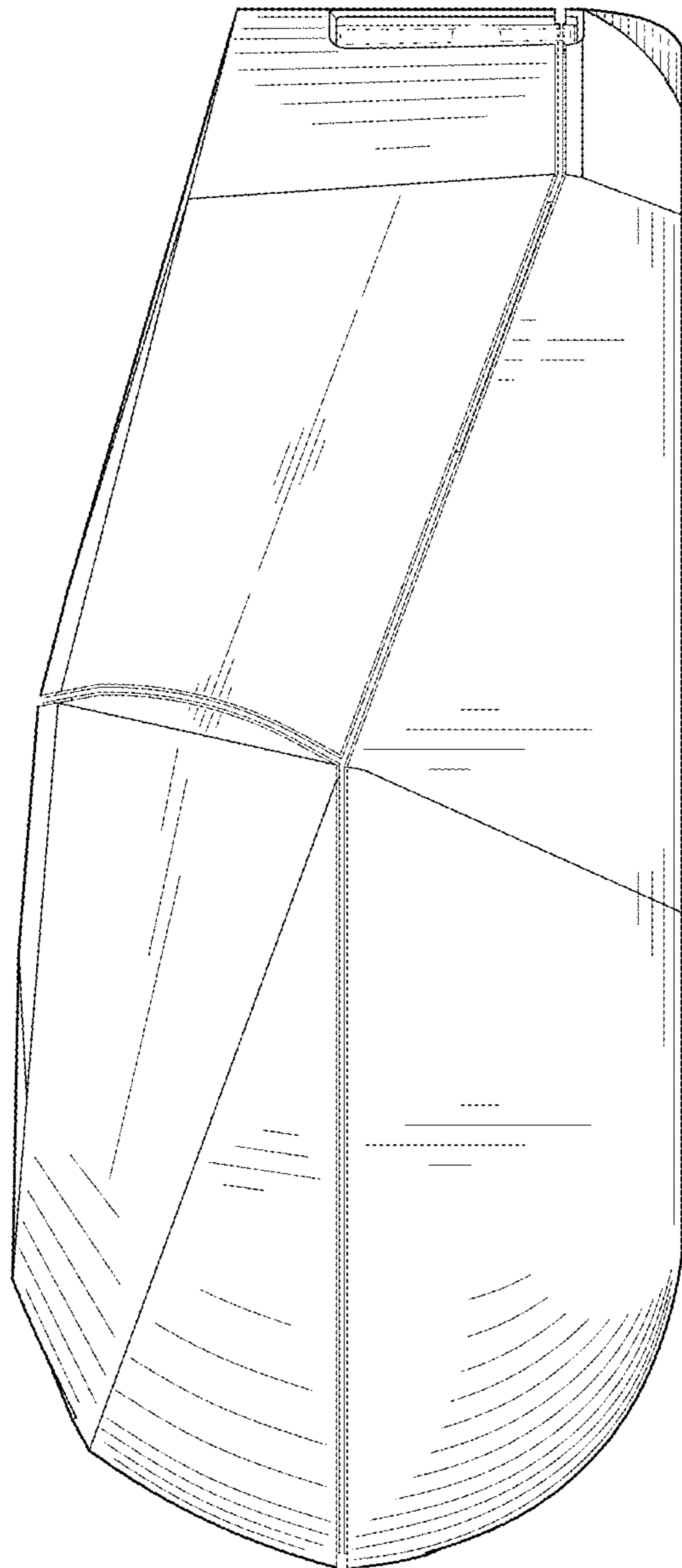


FIG. 5

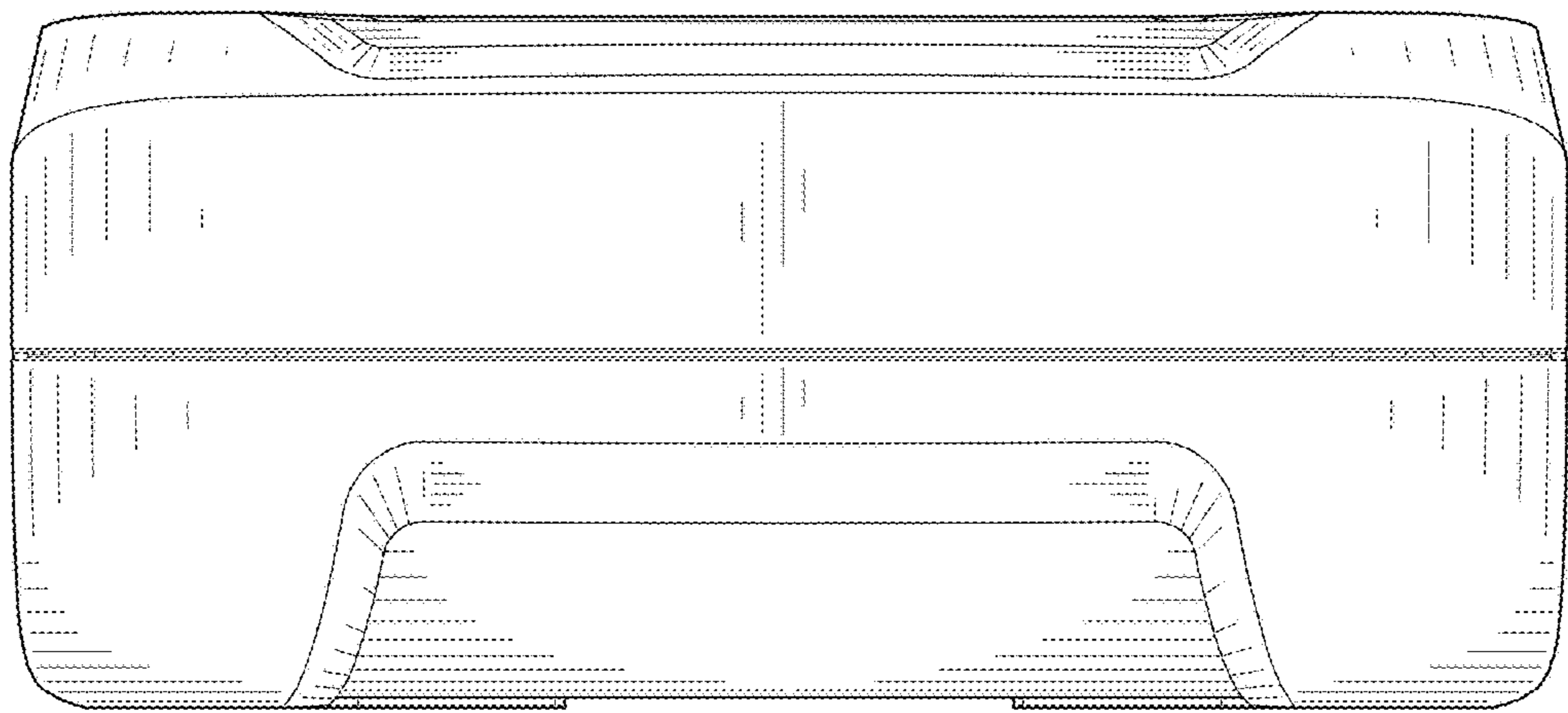


FIG. 6

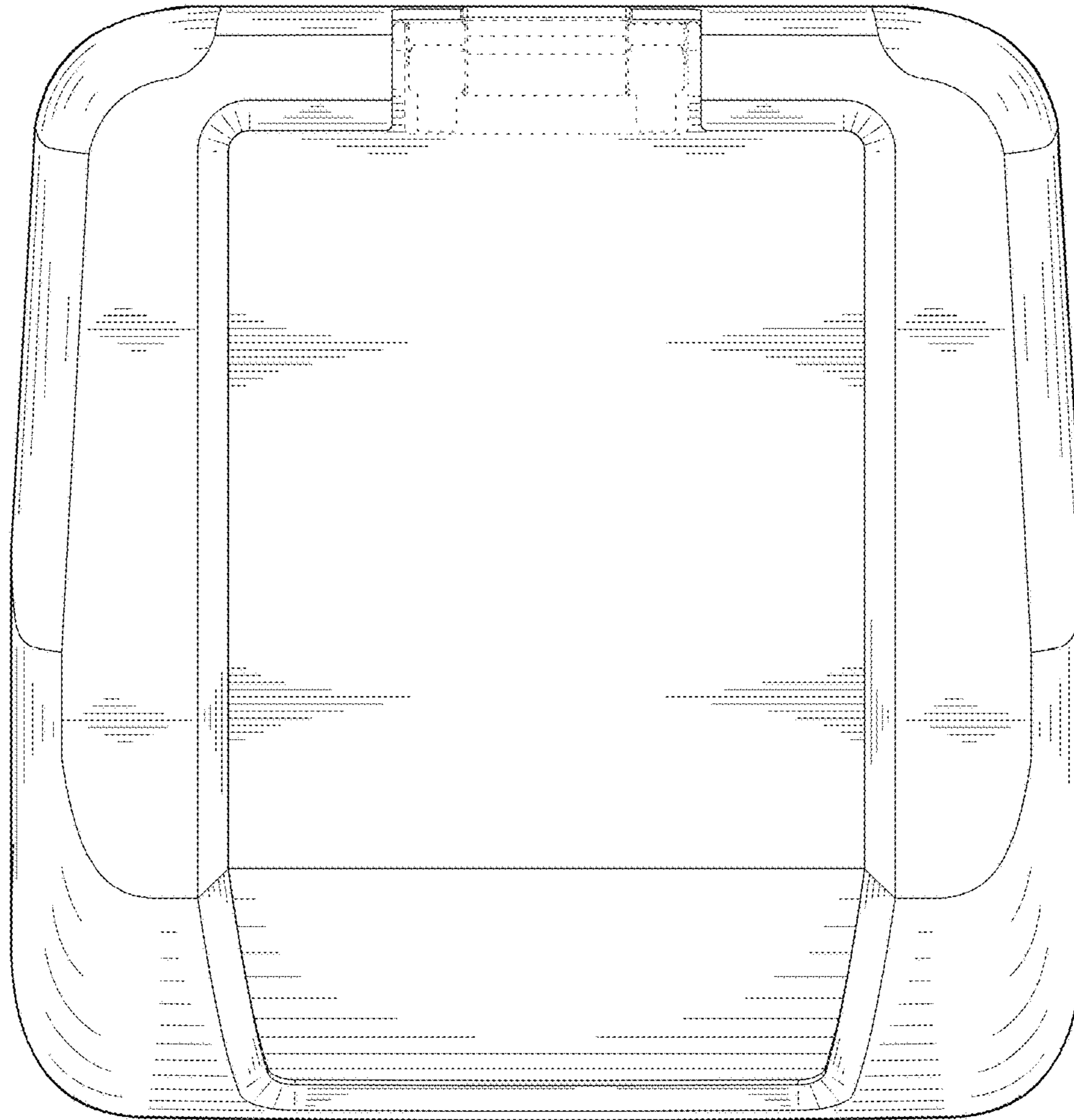


FIG. 7