



US00D833520S

(12) **United States Design Patent**  
**Yang et al.**

(10) **Patent No.:** **US D833,520 S**

(45) **Date of Patent:** **\*\* Nov. 13, 2018**

(54) **CARTRIDGE**

(71) Applicant: **S-Printing Solution Co., Ltd.**,  
Suwon-si (KR)

(72) Inventors: **Seong-Woong Yang**, Suwon-si (KR);  
**Jong-In Kim**, Suwon-si (KR);  
**Yun-Kyu Shim**, Seoul (KR);  
**Sang-Hoon Lee**, Suwon-si (KR);  
**Seung-Gweon Lee**, Suwon-si (KR);  
**Ho-Jin Jang**, Suwon-si (KR);  
**Woong-Yong Choi**, Yongin-si (KR);  
**Jin-Hwa Hong**, Suwon-si (KR)

(73) Assignee: **S-Printing Solution Co., Ltd.**,  
Suwon-si (KR)

(\*\*) Term: **15 Years**

(21) Appl. No.: **29/599,137**

(22) Filed: **Mar. 31, 2017**

(30) **Foreign Application Priority Data**

Nov. 24, 2016 (KR) ..... 30-2016-0056639

(51) **LOC (11) Cl.** ..... **16-03**

(52) **U.S. Cl.**  
USPC ..... **D18/43**

(58) **Field of Classification Search**  
USPC ..... D18/40-45, 56

(Continued)

(56) **References Cited**

**U.S. PATENT DOCUMENTS**

D378,830 S \* 4/1997 Kim ..... D18/43  
D379,829 S \* 6/1997 Hayashi ..... D18/43

(Continued)

**FOREIGN PATENT DOCUMENTS**

JP D1259367 \* 12/2005  
JP D1491567 \* 3/2014  
RU 00085239 \* 5/2013

**OTHER PUBLICATIONS**

Amazon. <URL: [https://www.amazon.com/Speedy-Inks-Remanufactured-7833A001AA-Replacement/dp/B00YQL0PUO/ref=sr\\_1\\_14?s=office-products&ie=UTF8&qid=1520983991&sr=1-14&keywords=Universal+ink+replacement+cartridge.](https://www.amazon.com/Speedy-Inks-Remanufactured-7833A001AA-Replacement/dp/B00YQL0PUO/ref=sr_1_14?s=office-products&ie=UTF8&qid=1520983991&sr=1-14&keywords=Universal+ink+replacement+cartridge.)> Jun. 2, 2015. Speedy Inks Remanufactured Canon Toner Cartridge Replacement.\*

*Primary Examiner* — Brandon M Rosati  
*Assistant Examiner* — Lauren D McVey  
(74) *Attorney, Agent, or Firm* — NSIP Law

(57) **CLAIM**

We claim the ornamental design for a cartridge, as shown and described.

**DESCRIPTION**

FIG. 1 is a front perspective view of a cartridge showing our new design;  
FIG. 2 is a front elevational view thereof;  
FIG. 3 is a rear elevational view thereof;  
FIG. 4 is a left-side elevational view thereof;  
FIG. 5 is a right-side elevational view thereof;  
FIG. 6 is a top plan view thereof;  
FIG. 7 is a bottom plan view thereof;  
FIG. 8 is a rear perspective view thereof;  
FIG. 9 is an enlarged view of the encircled portion in FIG. 3;  
FIG. 10 is an enlarged view of the encircled portion in FIG. 3;  
FIG. 11 is an enlarged view of the encircled portion in FIG. 4;  
FIG. 12 is an enlarged view of the encircled portion in FIG. 4;  
FIG. 13 is an enlarged view of the encircled portion in FIG. 5;  
FIG. 14 is an enlarged view of the encircled portion in FIG. 5;  
FIG. 15 is an enlarged view of the encircled portion in FIG. 6;  
FIG. 16 is an enlarged view of the encircled portion in FIG. 6;

(Continued)

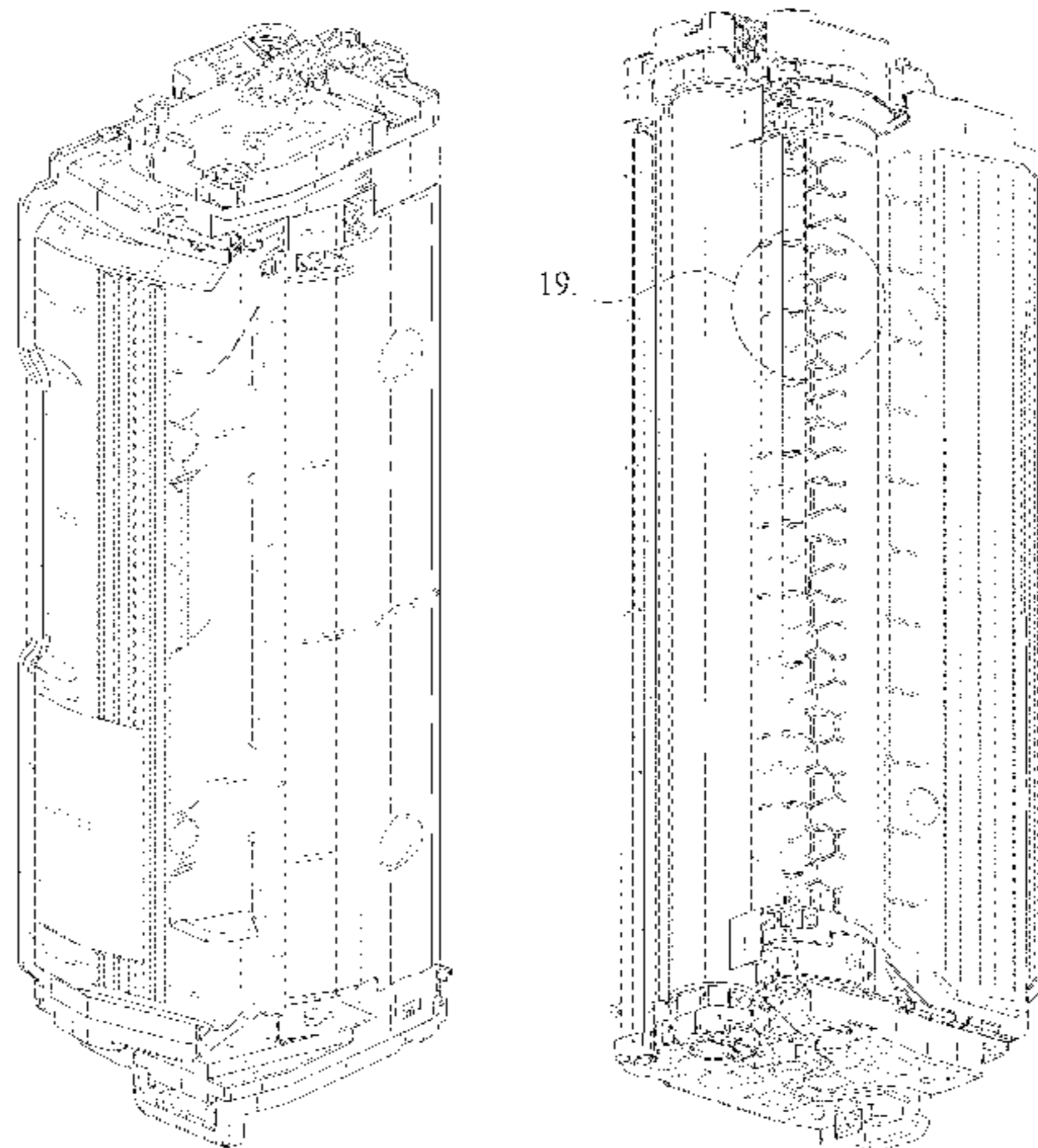


FIG. 17 is an enlarged view of the encircled portion in FIG. 7;  
FIG. 18 is an enlarged view of the encircled portion in FIG. 7; and,  
FIG. 19 is an enlarged view of the encircled portion in FIG. 8.

The broken lines in the figures immediately adjacent to shaded areas represent boundaries of the claimed design and are not included in the claim, while all other broken lines are directed to environment, and are for illustrative purposes only. The broken lines form no part of the claimed design. The dot-dash broken lines encircling portions of the claimed design that are illustrated in enlargements form no part of the claimed design.

**1 Claim, 19 Drawing Sheets**

(58) **Field of Classification Search**

CPC ..... G03G 15/0894; G03G 15/0896; G03G 15/0898; G03G 21/1661; G03G 21/1666; G03G 21/1671; G03G 21/1676; G03G

21/168; G03G 21/1685; G03G 21/169; G03G 21/1695; G03G 21/18; G03G 21/1803; G03G 21/1807; G03G 15/0868; G03G 15/087; G03G 15/0872; G03G 15/0874; G03G 15/0875; G03G 15/0877

See application file for complete search history.

(56)

**References Cited**

U.S. PATENT DOCUMENTS

D692,944	S	*	11/2013	Noh	.....	D18/43
D692,945	S	*	11/2013	Noh	.....	D18/43
D693,399	S	*	11/2013	Sim	.....	D18/43
D706,339	S	*	6/2014	Choi	.....	D18/43
D752,136	S	*	3/2016	Koido	.....	D18/43
D765,164	S	*	8/2016	Park	.....	D18/43
D779,589	S	*	2/2017	Moon	.....	D18/56
D791,865	S	*	7/2017	Yoshii	.....	D18/43
D798,948	S	*	10/2017	Toba	.....	D18/43
D798,949	S	*	10/2017	Toba	.....	D18/43
2009/0148194	A1	*	6/2009	Yuen	.....	G03G 15/0856 399/263

\* cited by examiner

FIG. 1

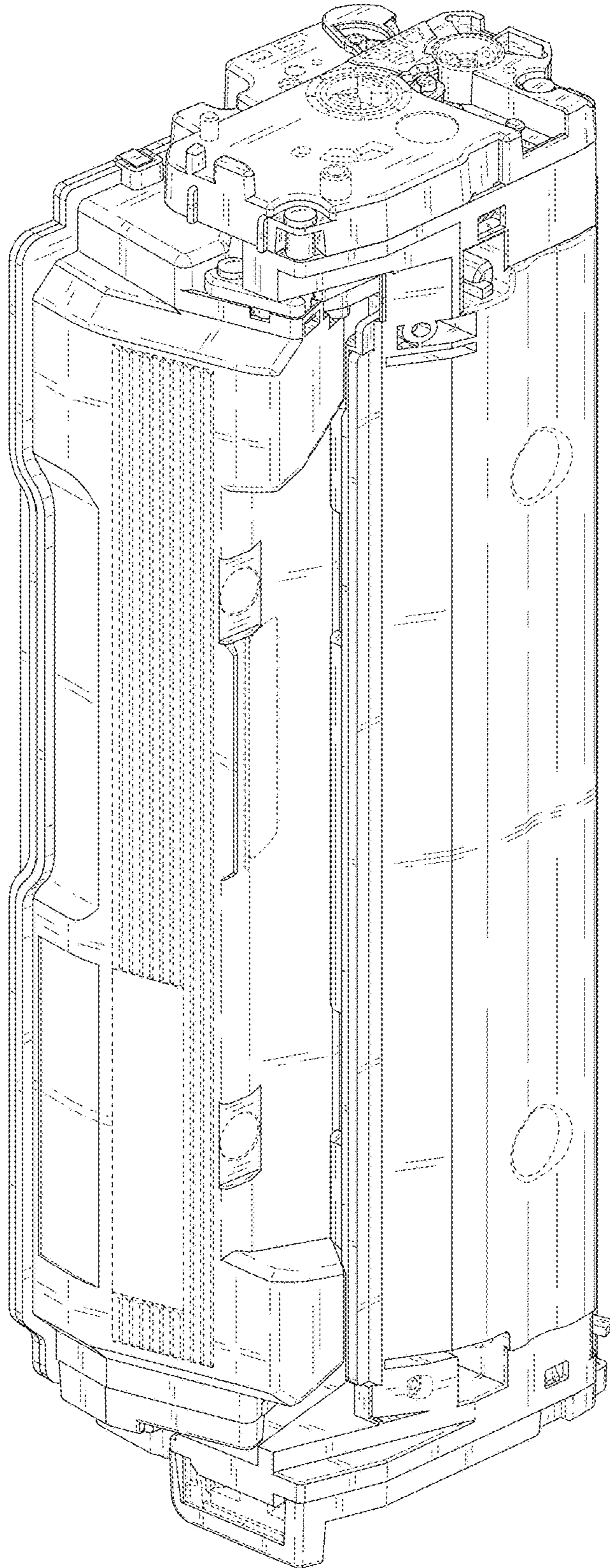


FIG. 2

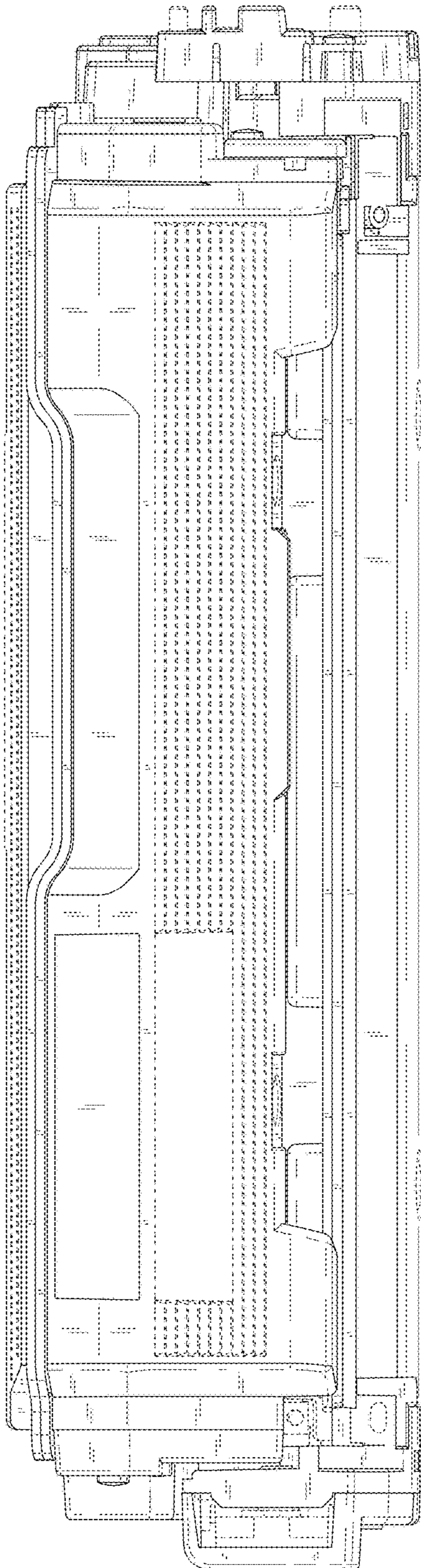


FIG. 3

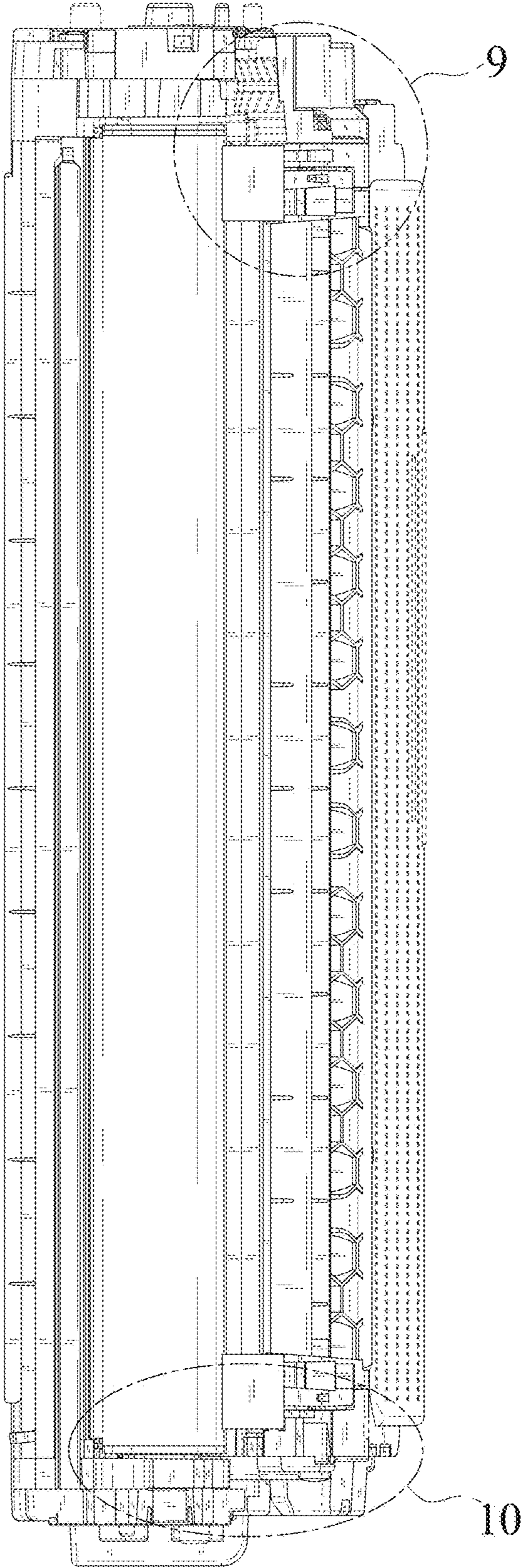


FIG. 4

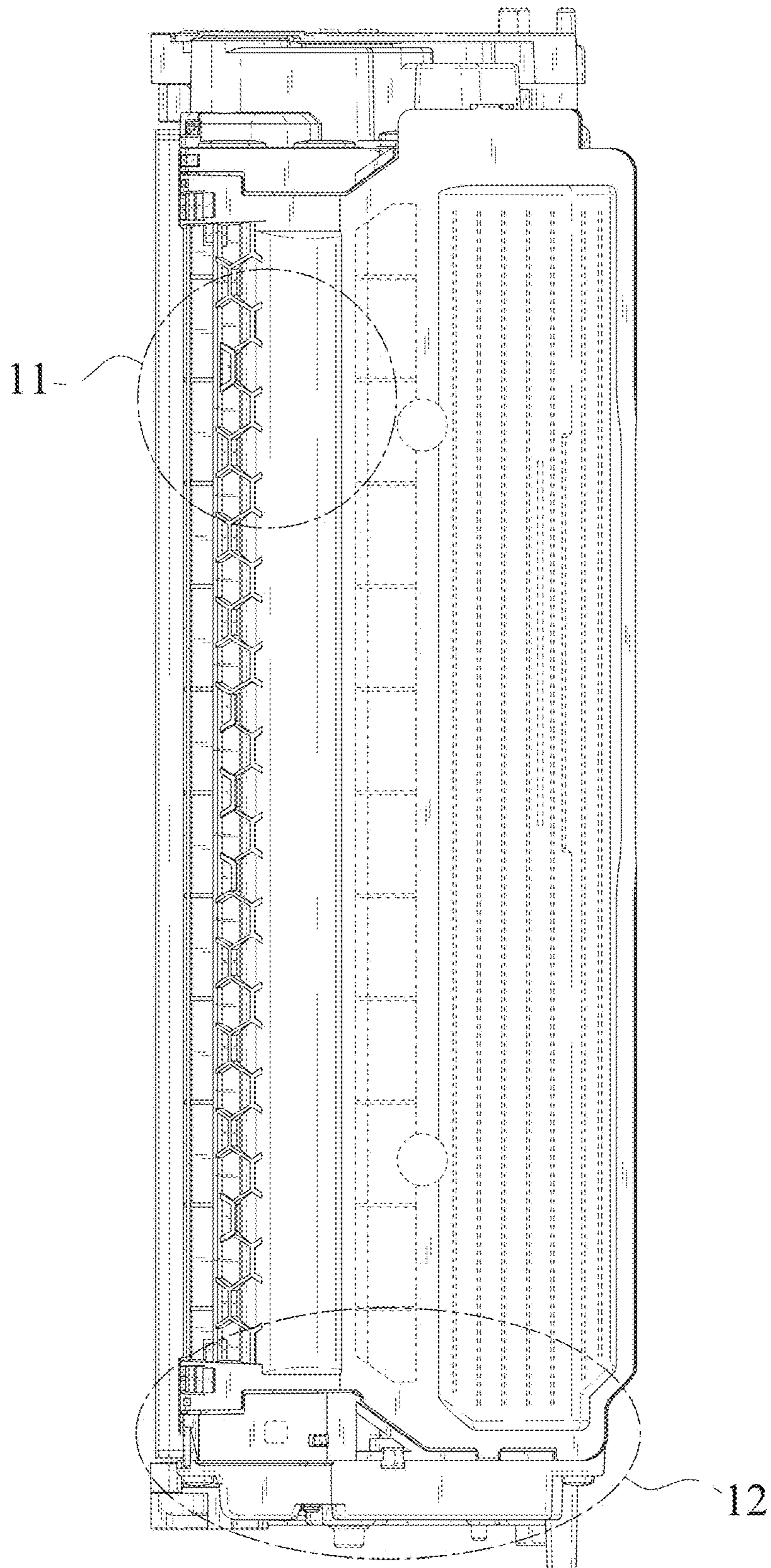


FIG. 5

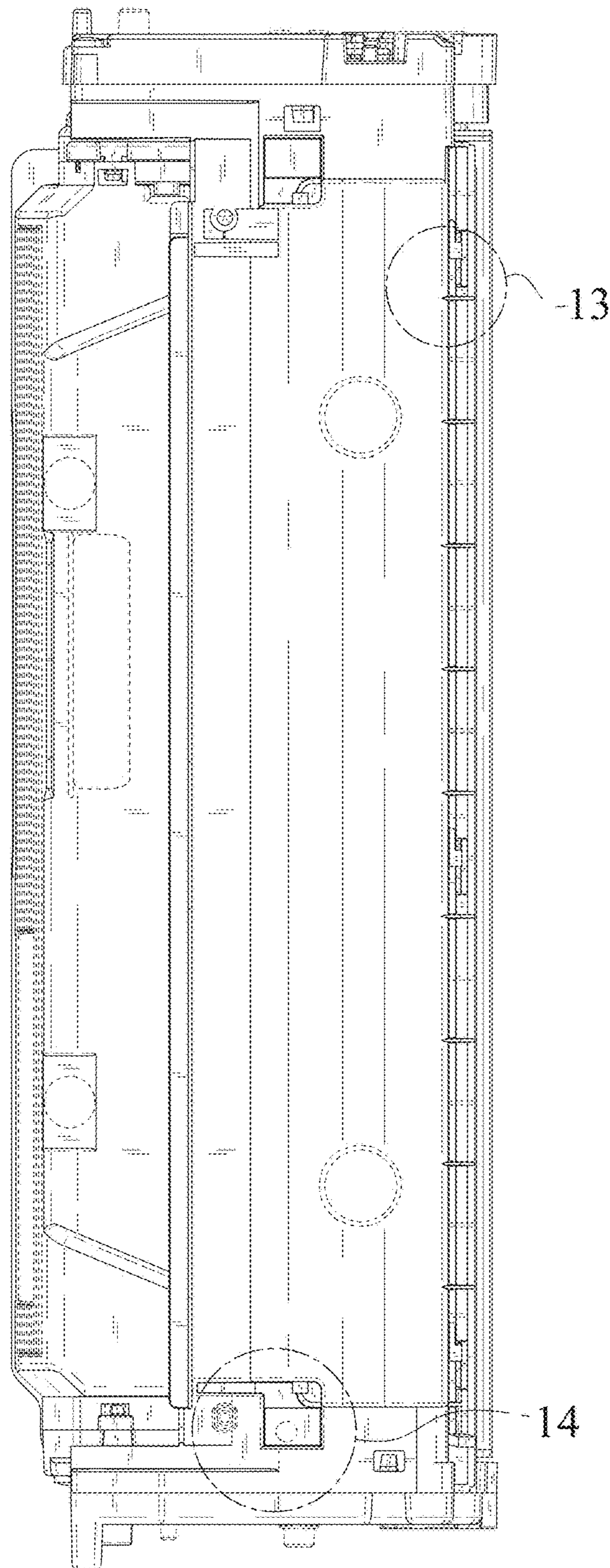


FIG. 6

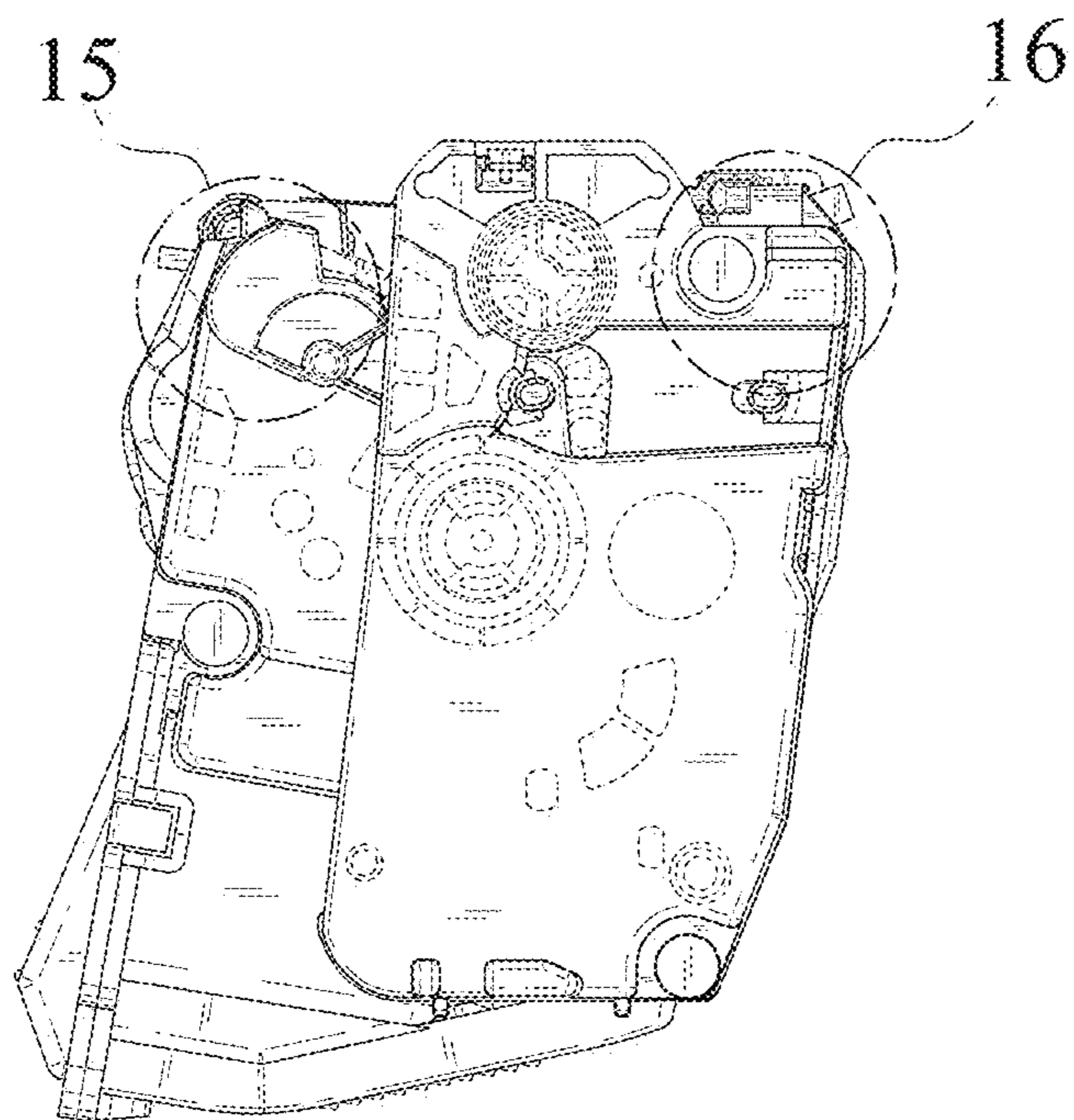




FIG. 7

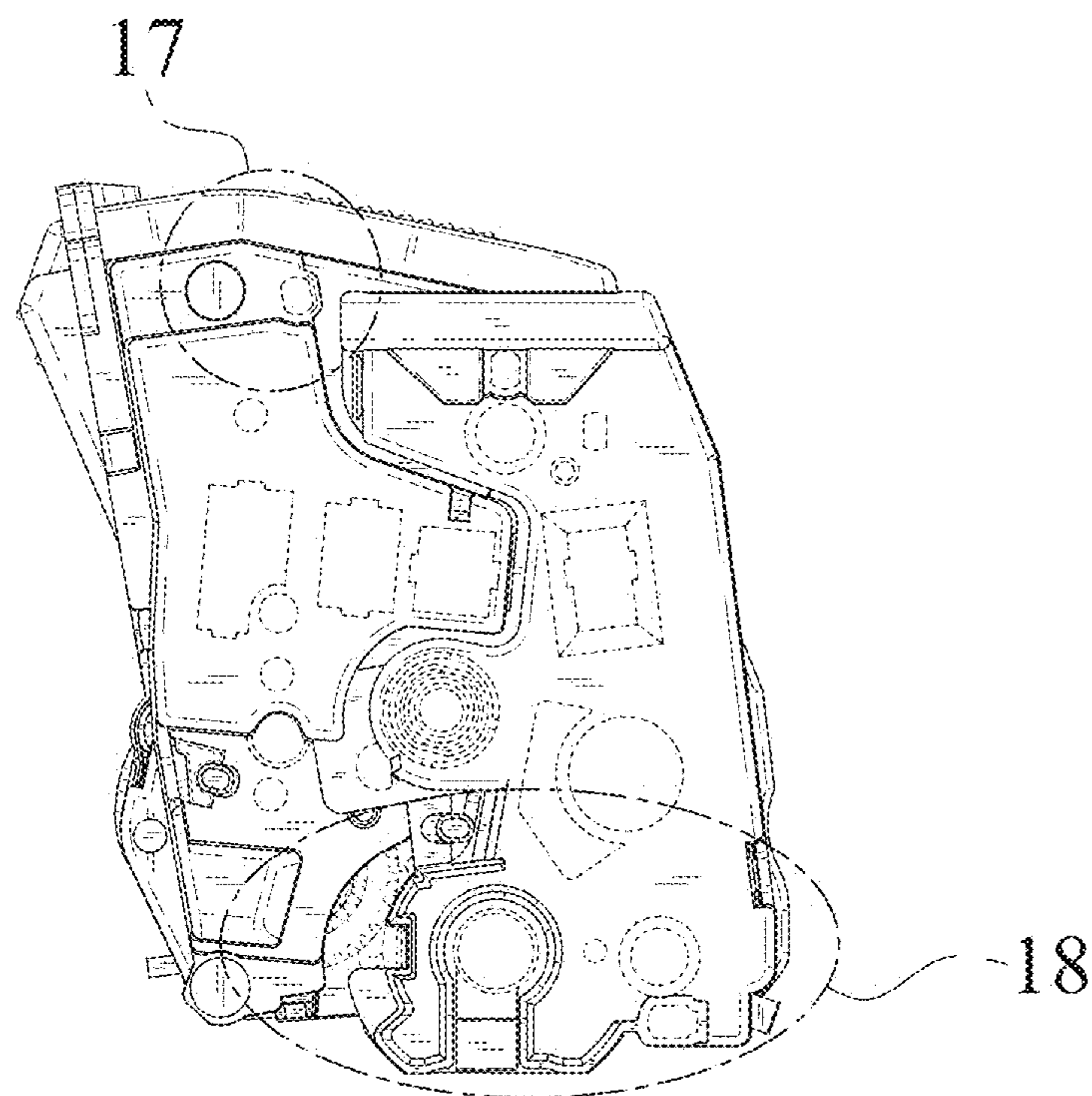


FIG. 8

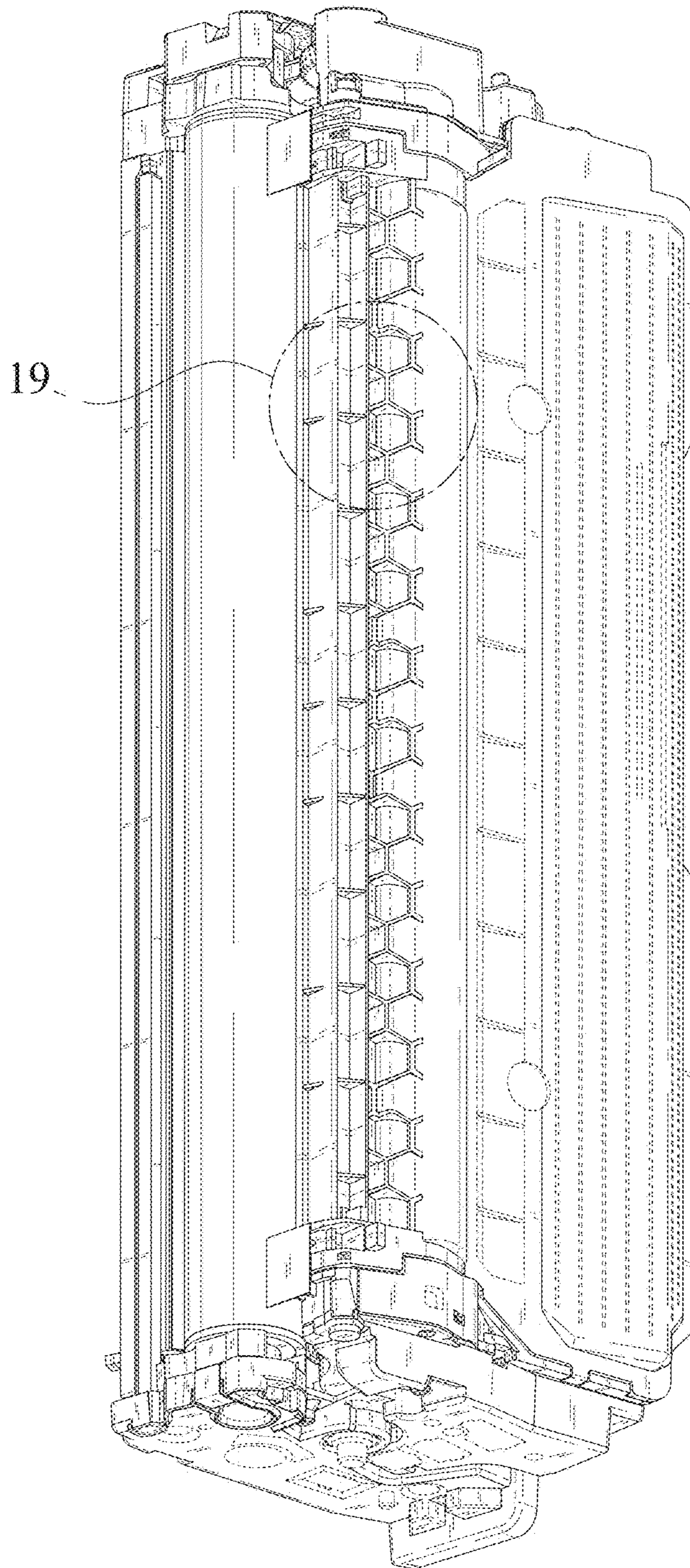


FIG. 9

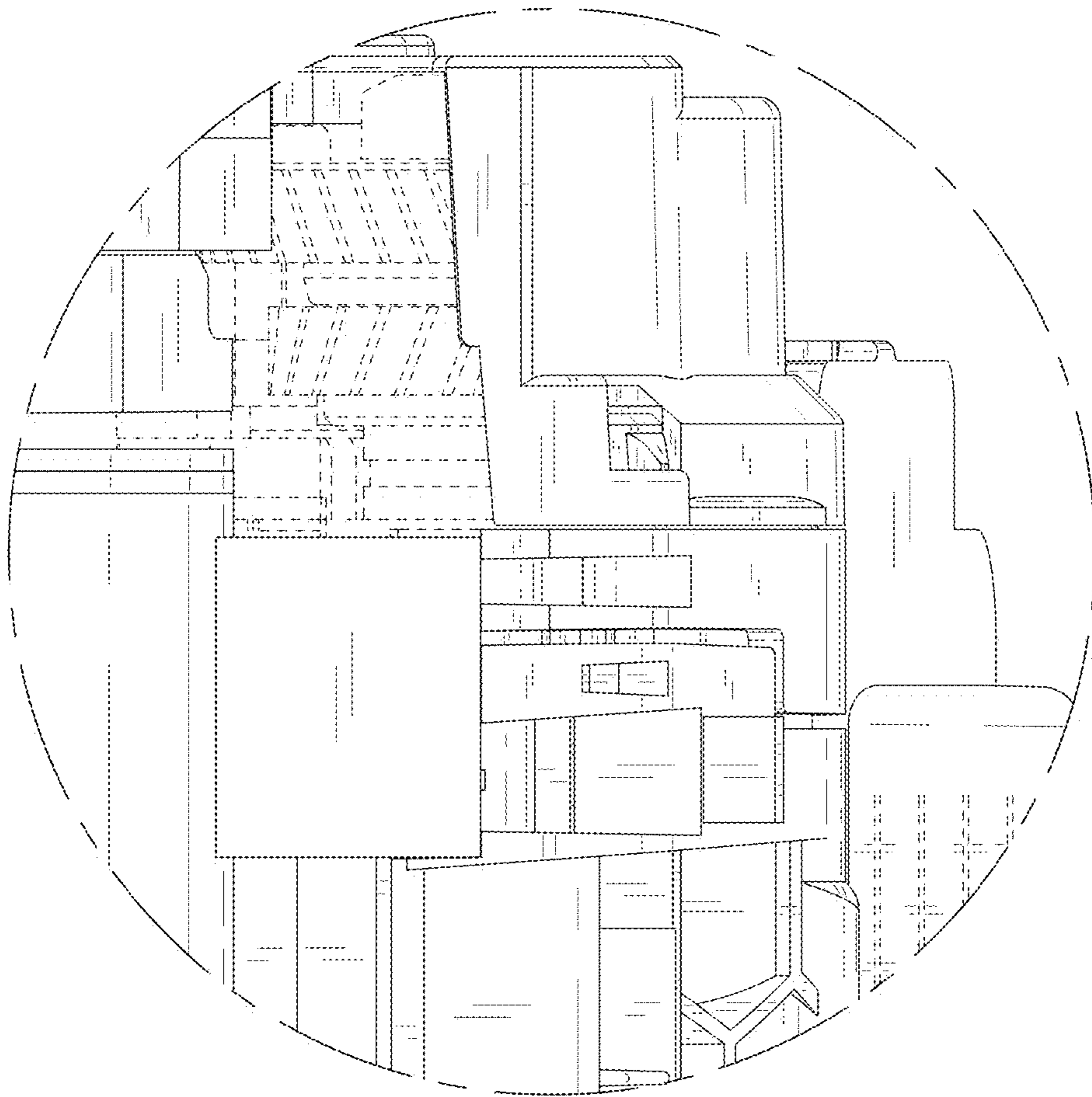


FIG. 10

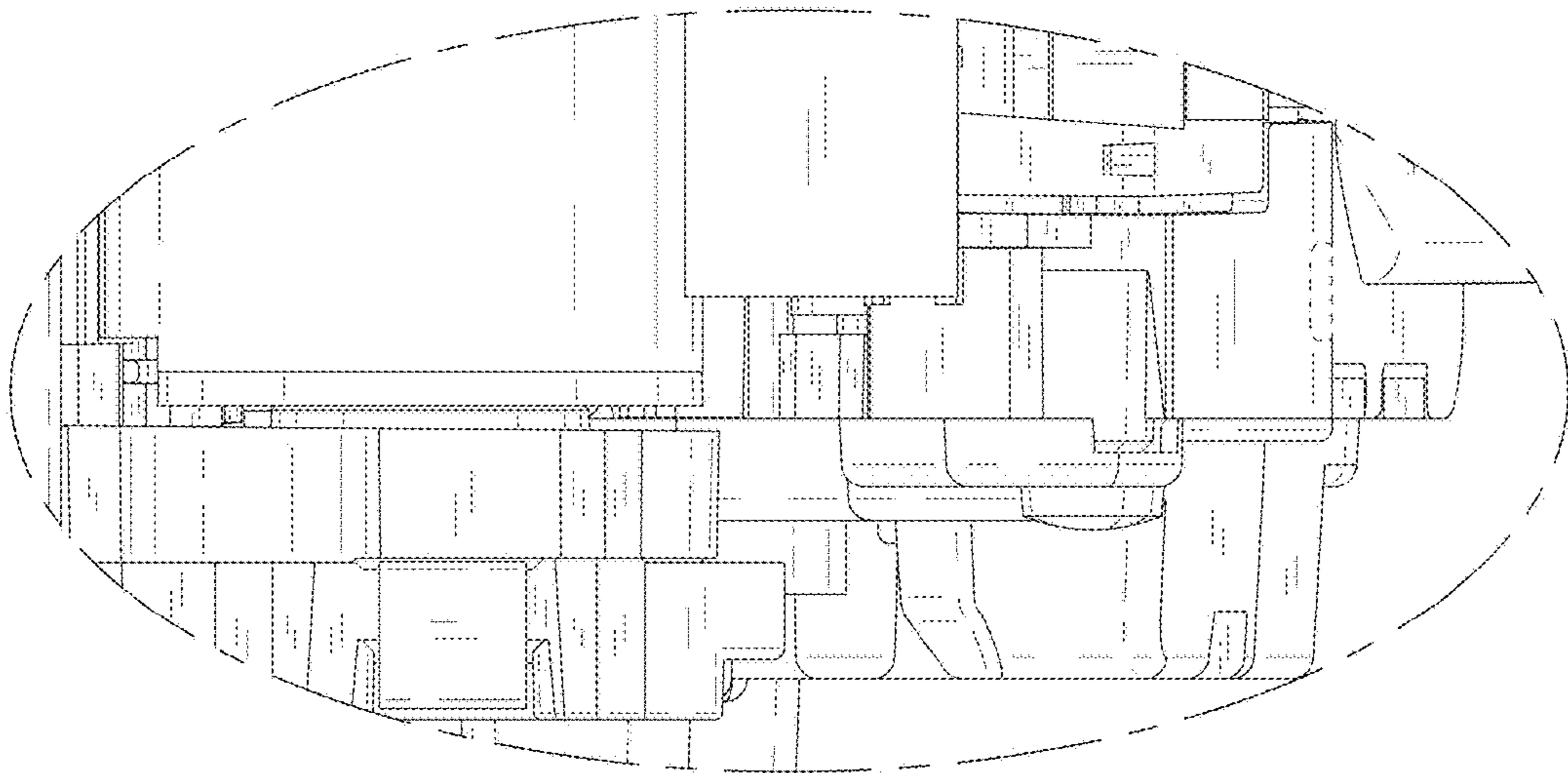


FIG. 11

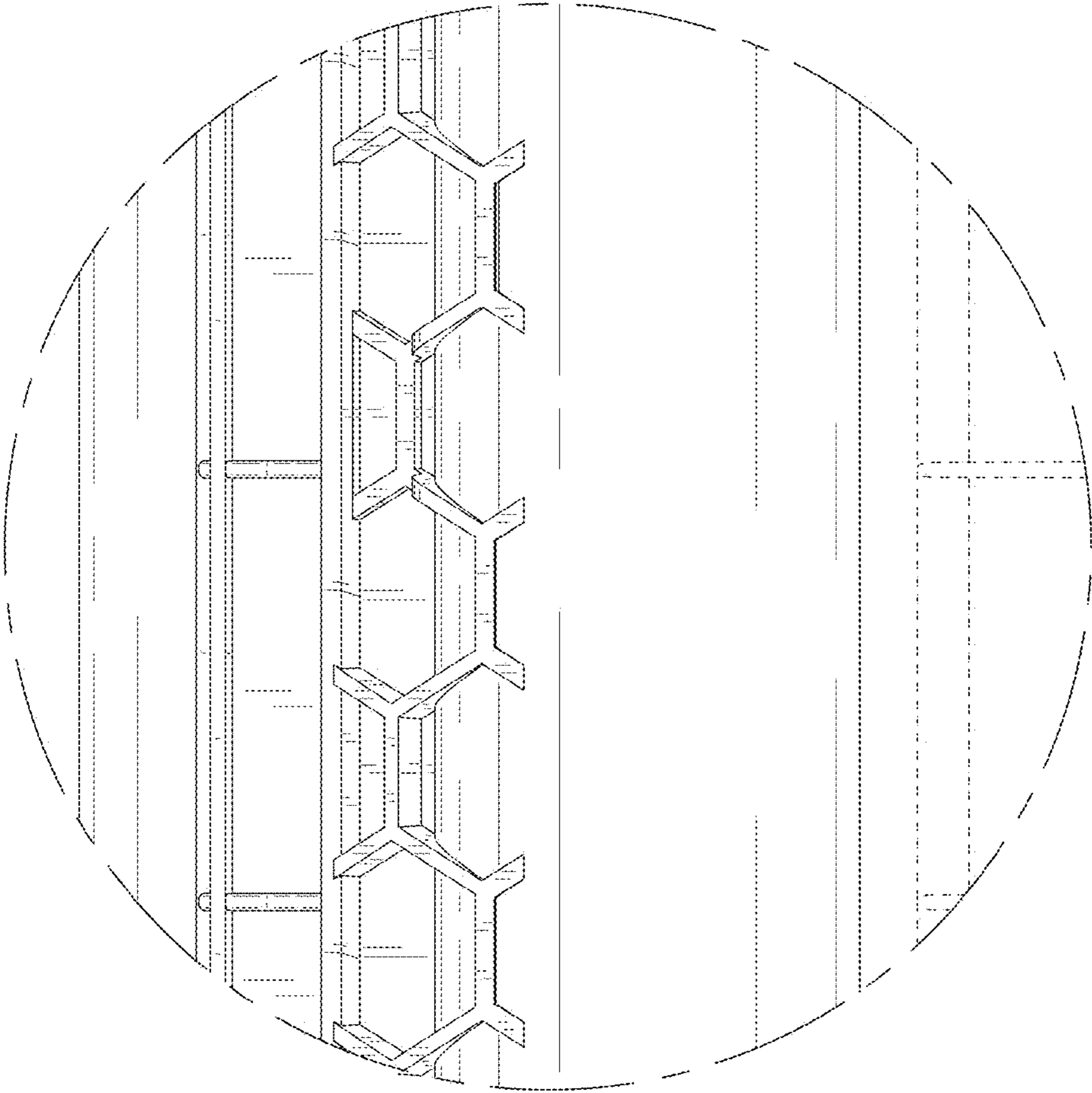


FIG. 12

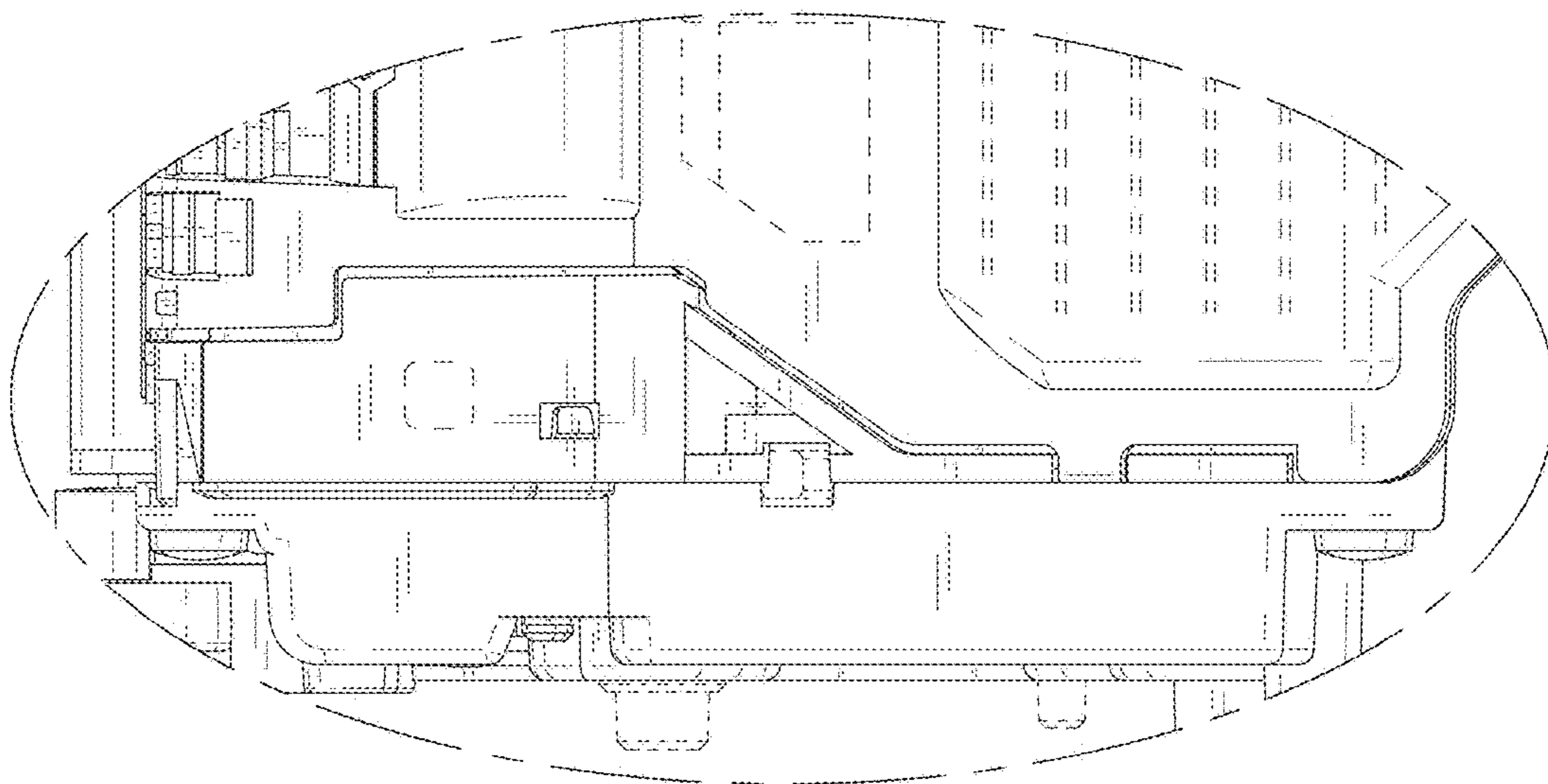


FIG. 13

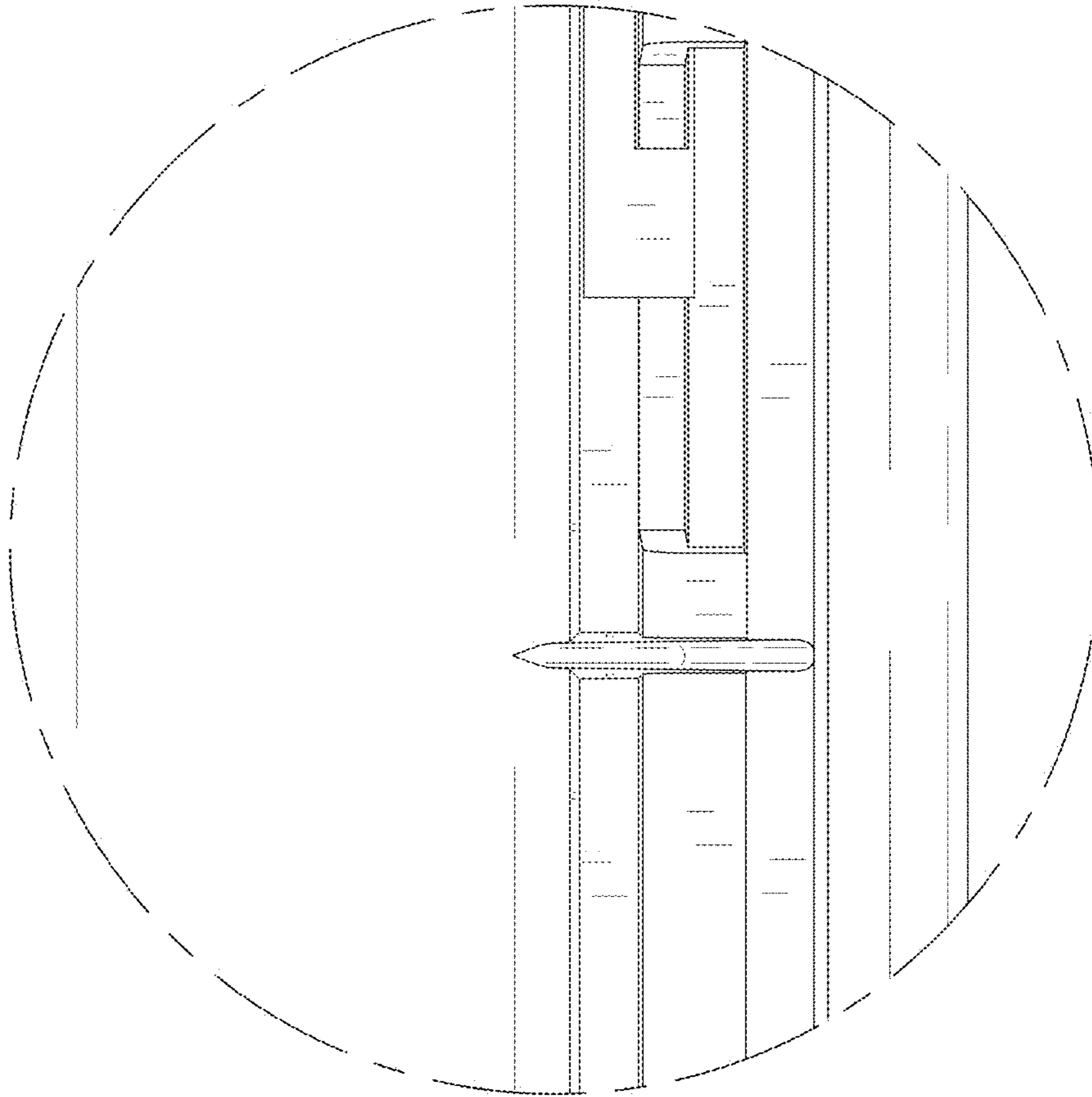


FIG. 14

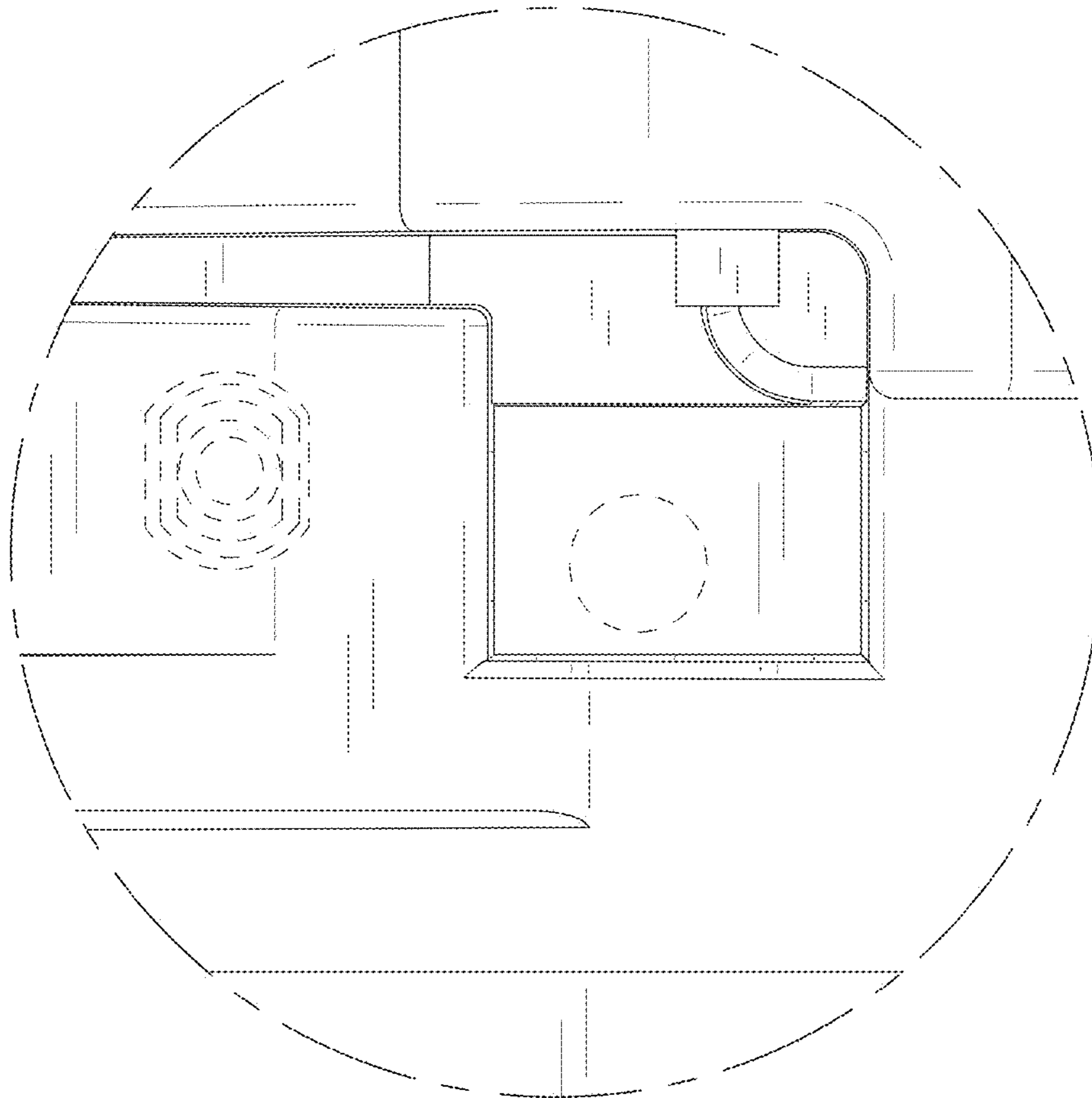




FIG. 15

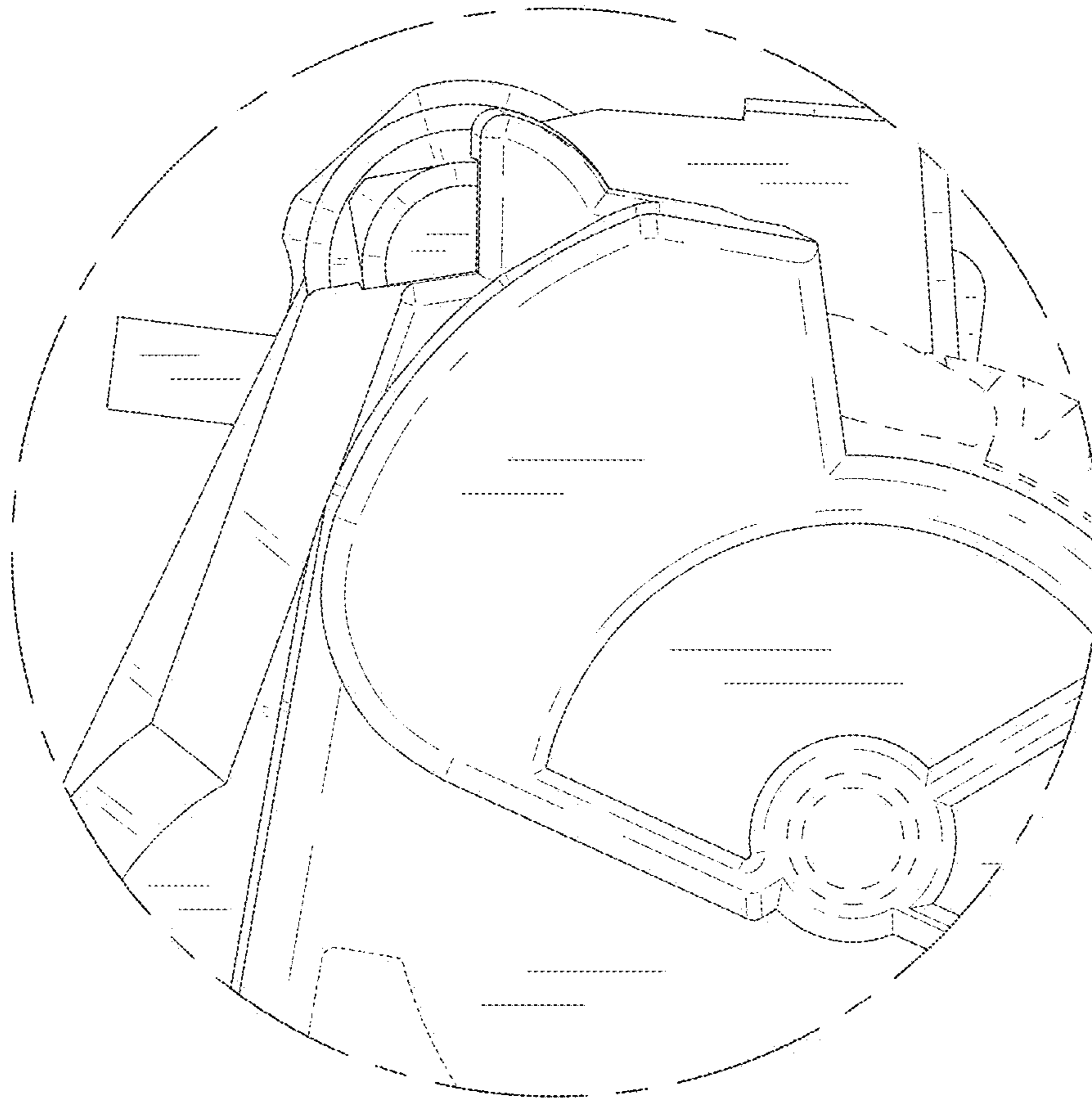


FIG. 16

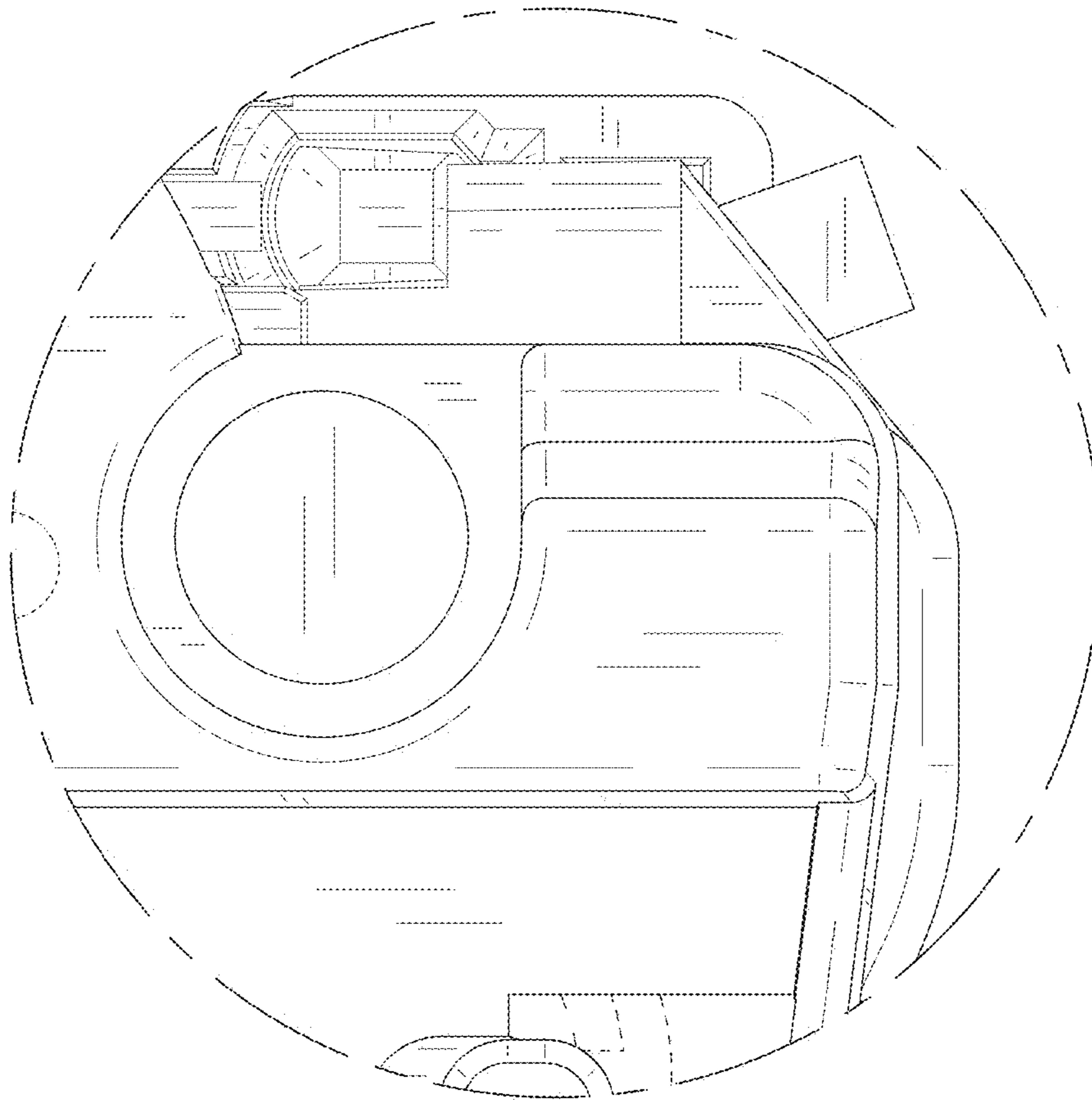


FIG. 17

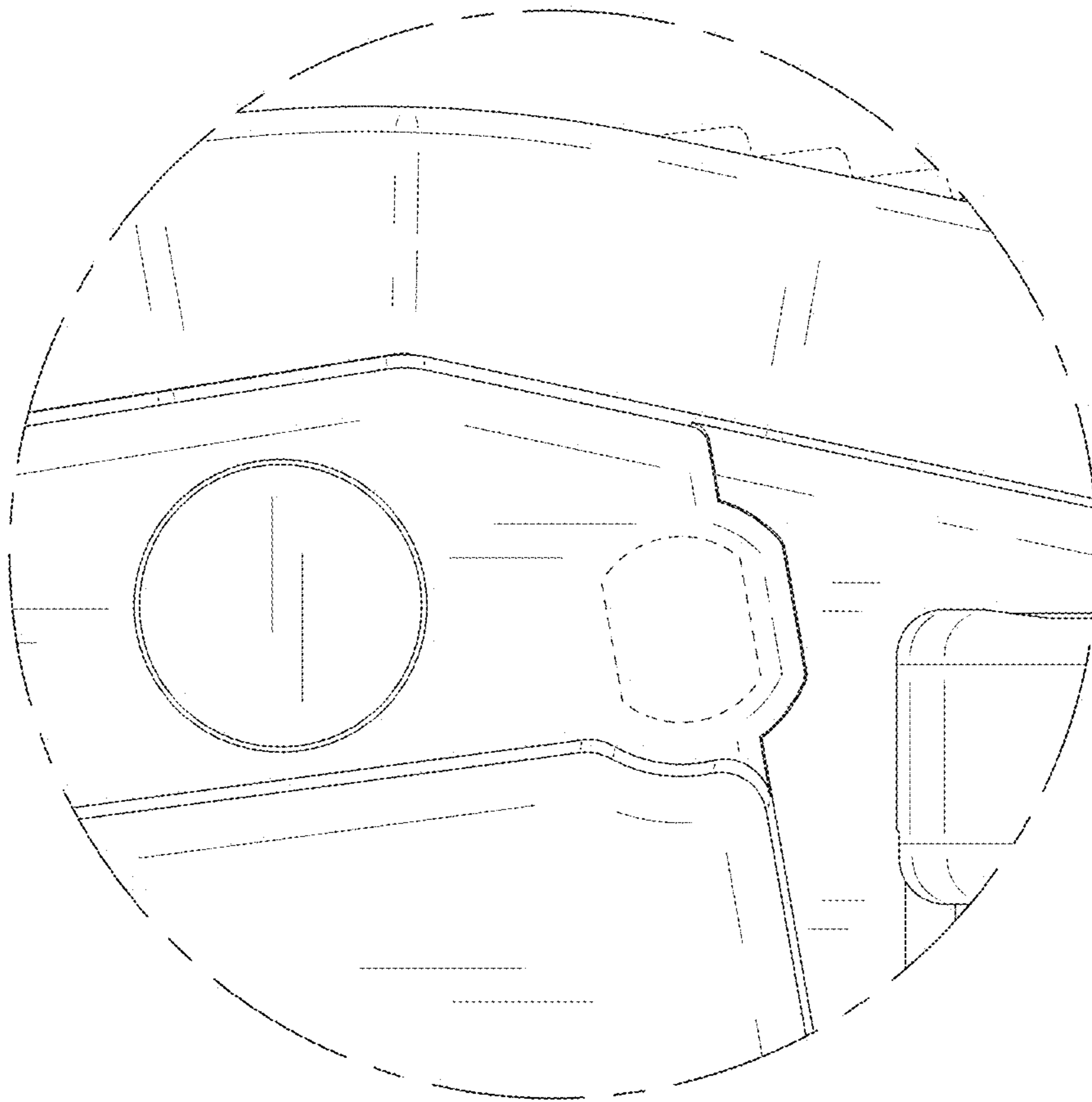


FIG. 18

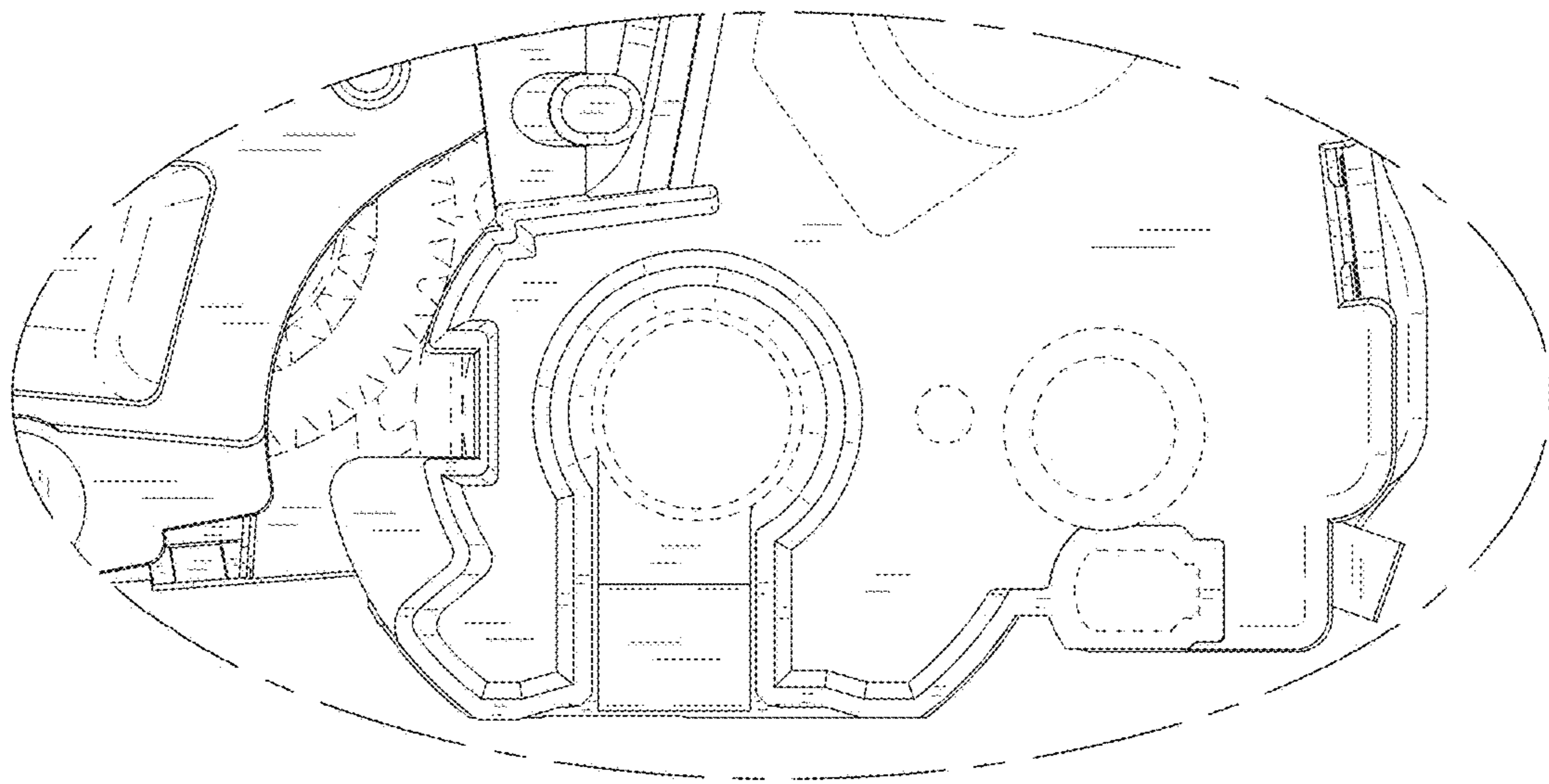


FIG. 19

