



US00D833517S

(12) **United States Design Patent**
Skelton et al.

(10) **Patent No.:** **US D833,517 S**

(45) **Date of Patent:** **** Nov. 13, 2018**

- (54) **EYEGLASS FLAG CLIP**
- (71) Applicant: **Conceptual Design Group of FL, LLC**, Edgewater, FL (US)
- (72) Inventors: **Robert Skelton**, Edgewater, FL (US);
Susan T. Still, New Smyrna Beach, FL (US)
- (73) Assignee: **CONCEPTUAL DESIGN GROUP OF FL, LLC**, Edgewater, FL (US)

D283,268 S *	4/1986	Rebiskie	224/181
5,307,095 A *	4/1994	Ogura	G02C 11/00 351/111
5,497,211 A *	3/1996	McNulty	G02C 11/00 351/158
9,678,366 B2 *	6/2017	Moore	G02C 11/02
2008/0239232 A1 *	10/2008	Guerrero	G02C 11/02 351/52
2009/0066908 A1 *	3/2009	Esses	G02C 11/02 351/52
2009/0273754 A1 *	11/2009	Ridgeway	G02C 11/02 351/52

(**) Term: **15 Years**

(21) Appl. No.: **29/557,709**

(22) Filed: **Mar. 11, 2016**

(51) **LOC (11) Cl.** **16-06**

(52) **U.S. Cl.**
USPC **D16/335**

(58) **Field of Classification Search**
 USPC D16/101, 300-342, 900; D29/109-110;
 D21/483, 659-661; D14/372; 351/41,
 351/44, 45-48, 51-52, 62, 158, 92,
 351/103-123, 140-153, 63, 59; 2/13, 15,
 2/426-432, 447-449, 441, 434-437
 CPC G02C 2200/08; G02C 1/06; G02C 5/14;
 G02C 11/02; G02C 11/04; G02C 5/16;
 G02C 2200/22; G02C 5/146; G02C
 5/2254; G02C 5/008; G01C 5/16; A61M
 2021/0044; A63B 33/002
 See application file for complete search history.

(56) **References Cited**

U.S. PATENT DOCUMENTS

2,682,724 A *	7/1954	Pattillo	G02C 11/02 248/224.7
4,298,991 A *	11/1981	Recenello	G02C 9/02 2/13

* cited by examiner

Primary Examiner — Michelle E. Wilson

Assistant Examiner — Sanjeev Paul

(74) *Attorney, Agent, or Firm* — Allen Dyer Doppelt & Gilchrist, PA

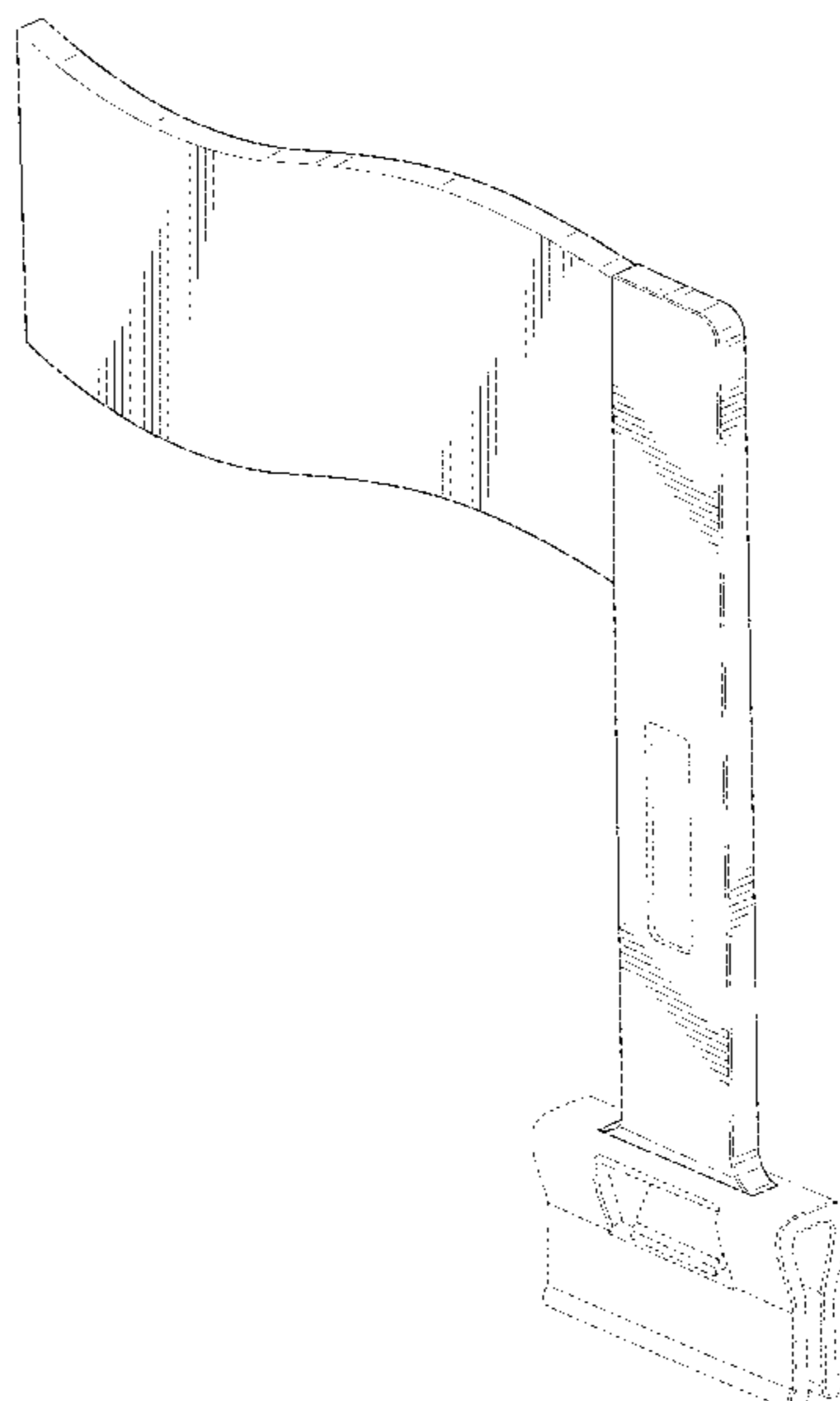
(57) **CLAIM**

The ornamental design for an eyeglass flag clip, as shown and described.

DESCRIPTION

FIG. 1 is a top, right front perspective view of the design, according to our invention;
 FIG. 2 is a bottom, left, front perspective view of the design of FIG. 1;
 FIG. 3 is a right view of the design of FIG. 1;
 FIG. 4 is a left side view of the design of FIG. 1;
 FIG. 5 is a top view of the design of FIG. 1;
 FIG. 6 is a bottom view of the design of FIG. 1;
 FIG. 7 is a front view of the design of FIG. 1; and,
 FIG. 8 is a rear view of the design of FIG. 1.
 FIG. 9 is a top, right front perspective view of the design, in an environment of use.
 Elements depicted in broken line illustrate environment and fall outside the scope of the claimed invention.

1 Claim, 7 Drawing Sheets



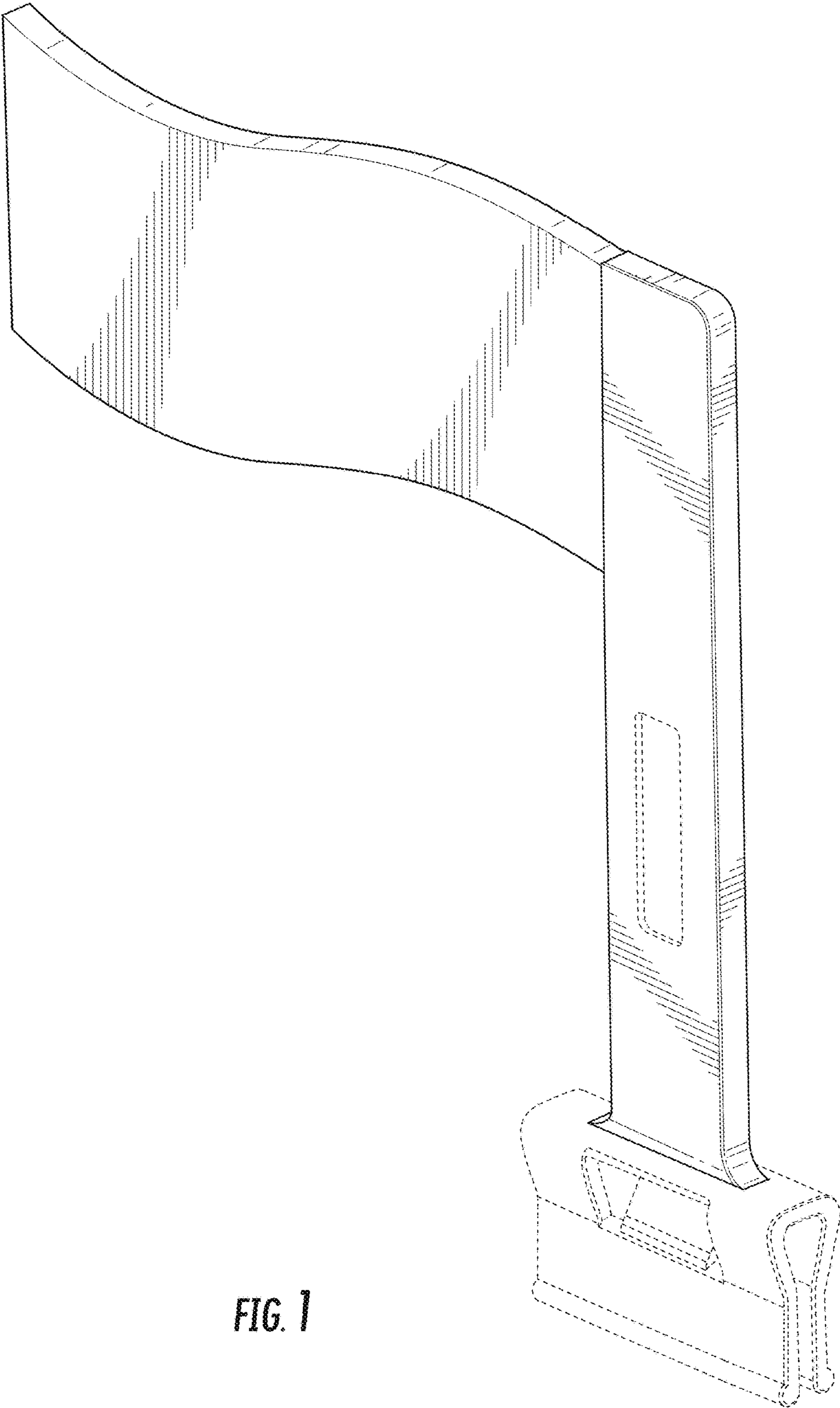


FIG. 1

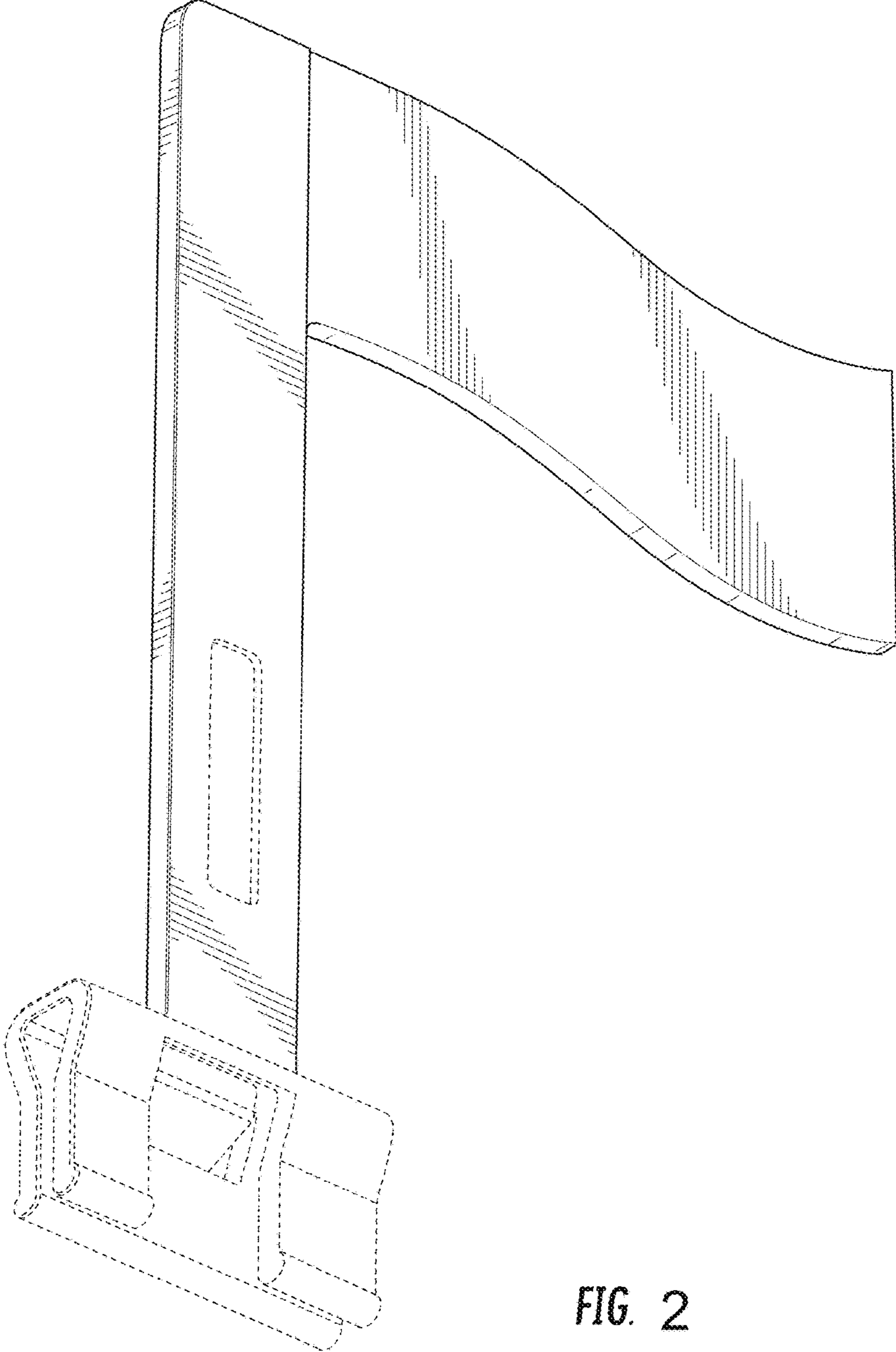


FIG. 2

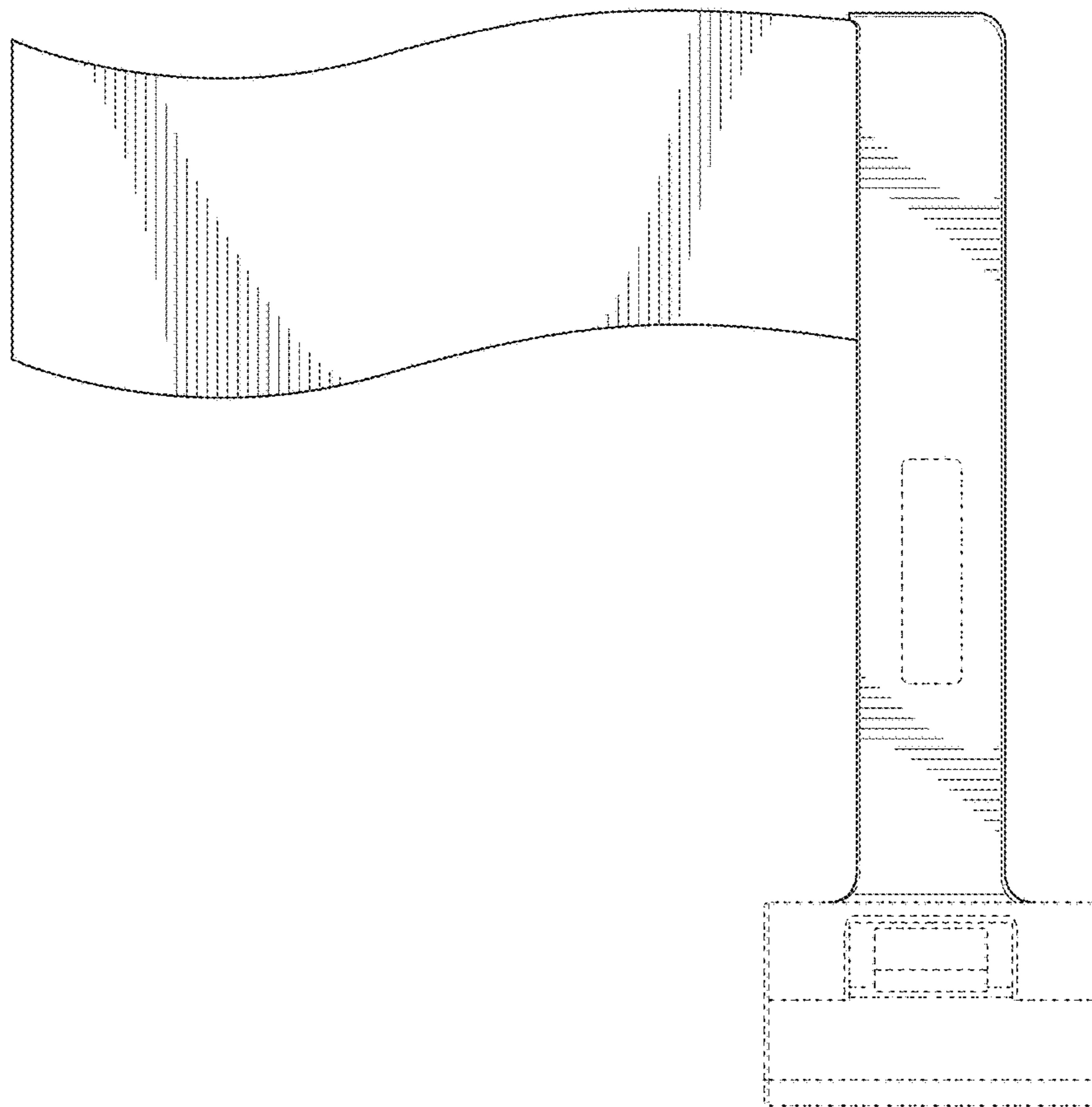


FIG. 3

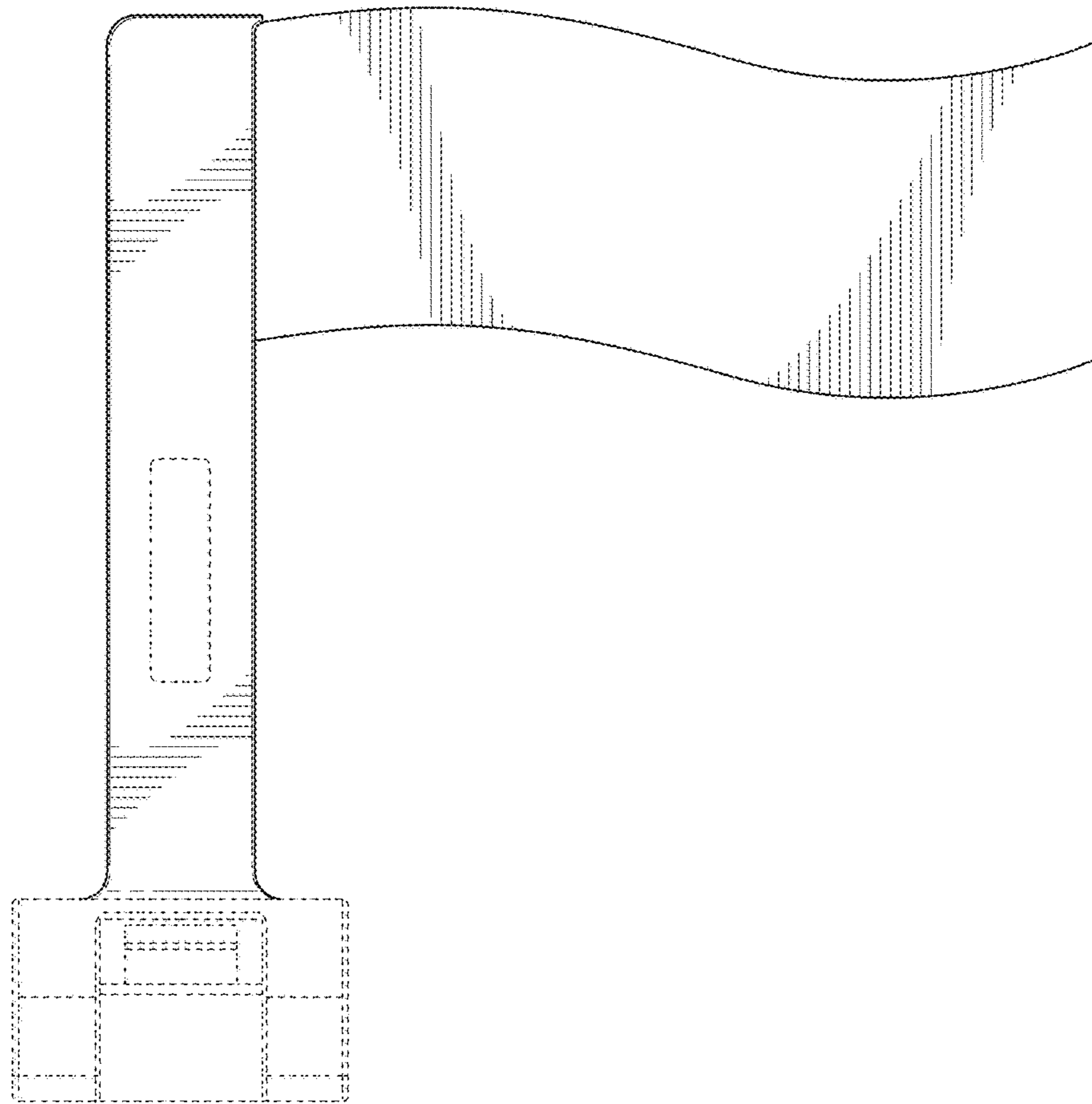


FIG. 4

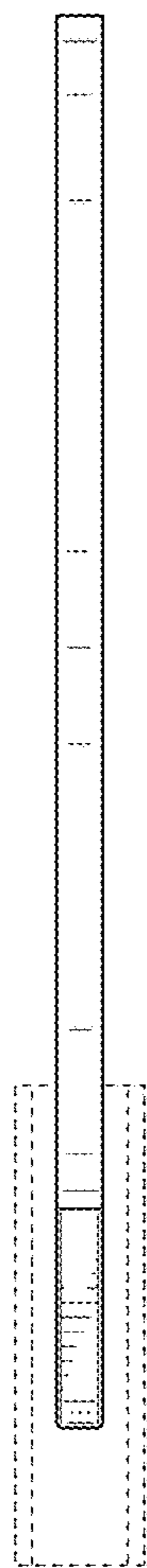


FIG. 5

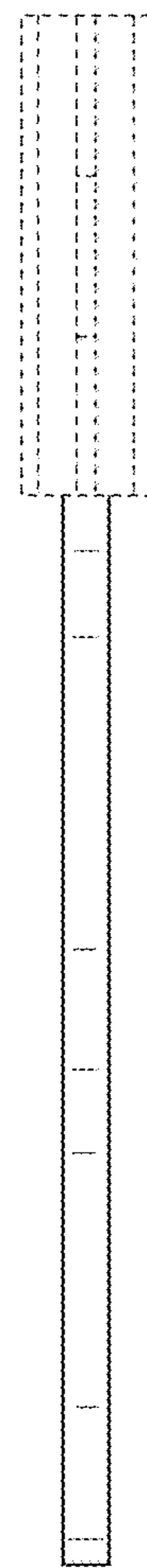


FIG. 6

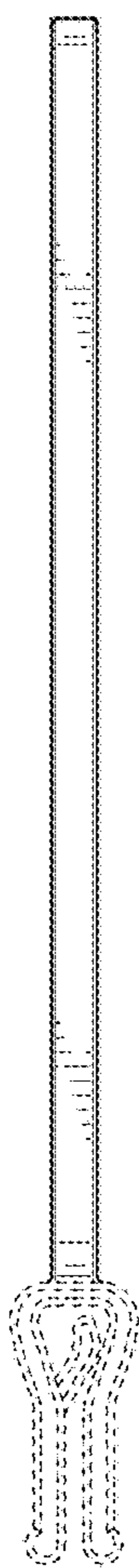


FIG. 7

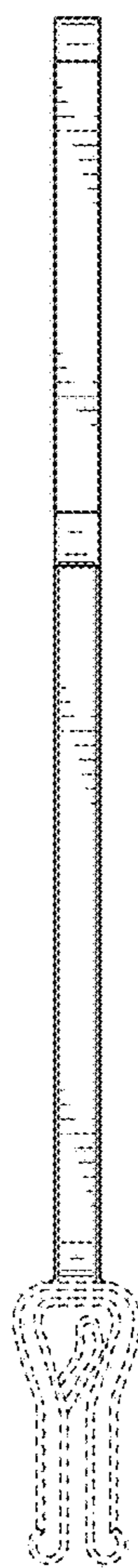


FIG. 8

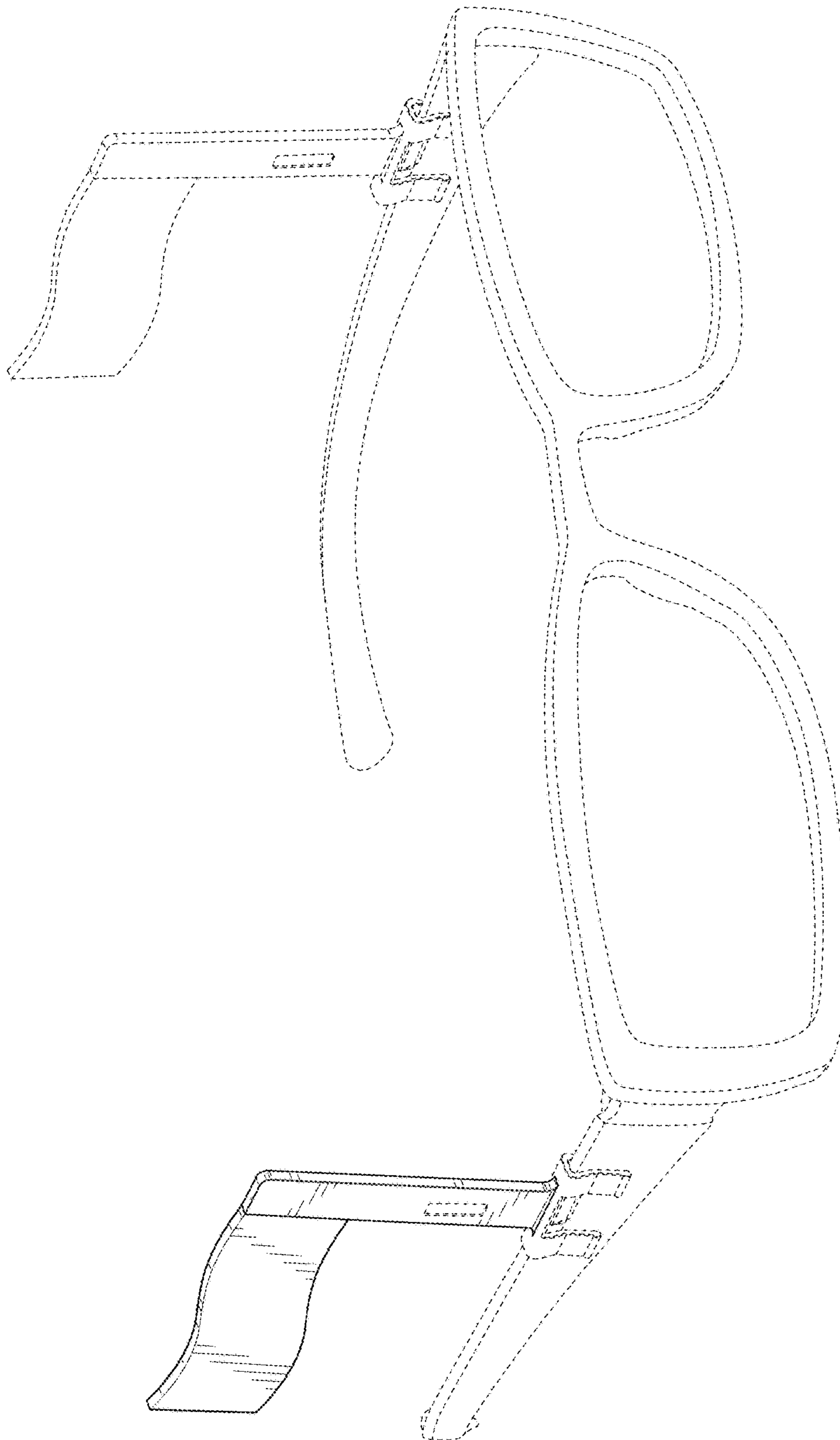


FIG. 9