



US00D833516S

(12) **United States Design Patent** (10) **Patent No.:** **US D833,516 S**
Renon (45) **Date of Patent:** **** Nov. 13, 2018**

(54) **HINGE FOR EYEGLASSES**

(56) **References Cited**

(71) Applicant: **LUXOTTICA S.R.L.**, Agordo (Belluno) (IT)
(72) Inventor: **Claudio Renon**, Voltago Agordino (IT)
(73) Assignee: **LUXOTTICA S.R.L.**, Agordo (IT)
(**) Term: **15 Years**

U.S. PATENT DOCUMENTS

D90,354 S *	7/1933	Bouchard	351/153
D91,543 S *	2/1934	Reynolds	D16/334
D92,196 S *	5/1934	Pappert	351/140
D107,106 S *	11/1937	Taylor	D16/334
D109,772 S *	5/1938	Splaine	D16/334
D119,893 S *	4/1940	Rohrbach	D16/334

(Continued)

(21) Appl. No.: **29/568,603**

(22) Filed: **Jun. 20, 2016**

OTHER PUBLICATIONS

New Persol Arrow, announced Nov. 2, 2016, [online], [site visited Mar. 9, 2014]. Available from Internet, <URL:http://www.luxottica.com/en/search/site/hinge> (Year: 2016).*

Related U.S. Application Data

(62) Division of application No. 29/475,260, filed on Dec. 2, 2013, now Pat. No. Des. 761,347.

Primary Examiner — Michelle E. Wilson

Assistant Examiner — Sanjeev Paul

(74) *Attorney, Agent, or Firm* — Pearne & Gordon LLP

(30) **Foreign Application Priority Data**

Jun. 3, 2013 (EM) 001373047

(57) **CLAIM**

The ornamental design for a hinge for eyeglasses, as shown and described.

(51) **LOC (11) Cl.** **16-06**

(52) **U.S. Cl.**

USPC **D16/334**

DESCRIPTION

(58) **Field of Classification Search**

USPC D16/101, 300–342, 900; D29/109–110; D21/483, 659–661; D14/372; 351/41, 351/44, 45–48, 51–52, 62, 158, 92, 351/103–123, 140–153, 63, 59; 2/13, 15, 2/426–432, 447–449, 441, 434–437; D8/323

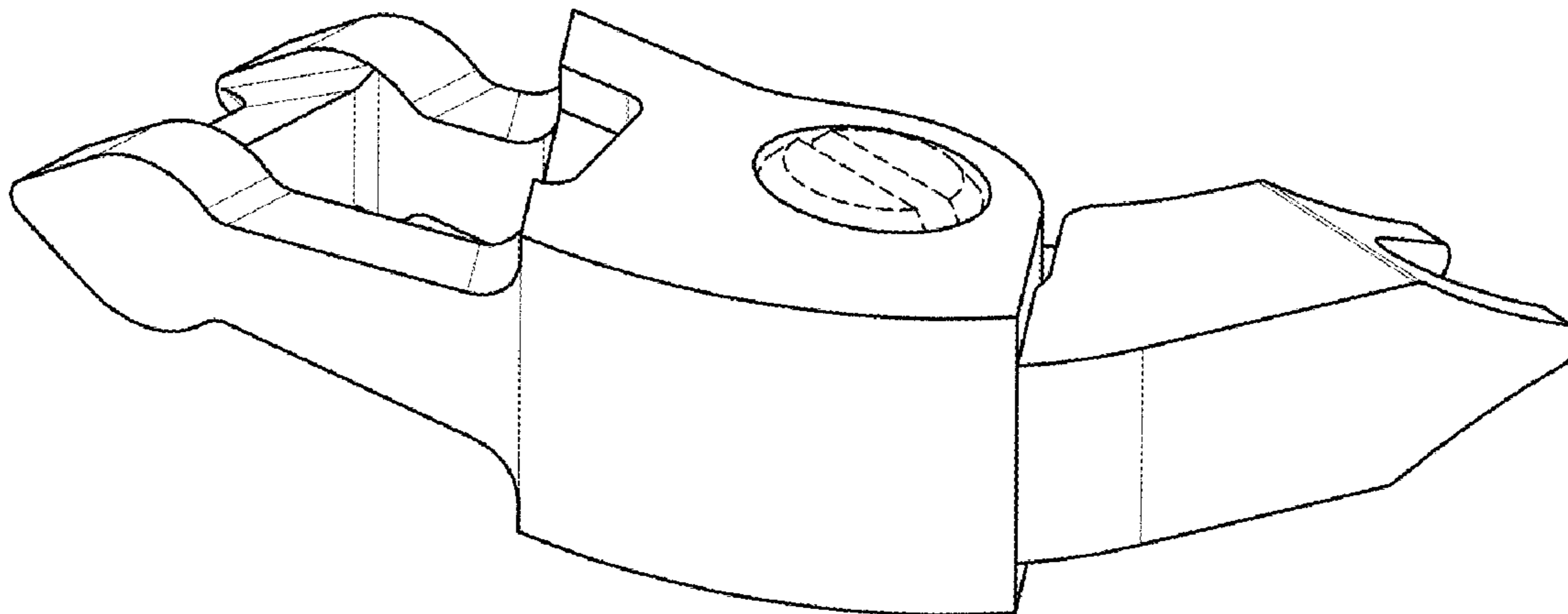
CPC G02C 2200/08; G02C 1/06; G02C 5/14; G02C 11/02; G02C 11/04; G02C 5/16; G02C 2200/22; G02C 5/146; G02C 5/2254; G02C 5/008; G01C 5/16; A61M 2021/0044; A63B 33/002

See application file for complete search history.

FIG. 1 is a perspective view of a hinge for eyeglasses, showing my new design;
FIG. 2 is a front view thereof;
FIG. 3 is a right side view thereof;
FIG. 4 is a left side view thereof;
FIG. 5 is a top view thereof, the bottom view being a mirror view of it;
FIG. 6 is a rear view thereof;
FIG. 7 is a perspective view of the first portion of the hinge for eyeglasses shown in FIG. 1 separated for ease of illustration; and,
FIG. 8 is a perspective view of the second portion of the hinge for eyeglasses shown in FIG. 1 separated for ease of illustration.

The portions of the eyeglass and frame that are shown in broken lines form no part of the claimed design.

1 Claim, 4 Drawing Sheets



(56)

References Cited

U.S. PATENT DOCUMENTS

2,628,531	A *	2/1953	Wright	G02C 5/2209				
						16/228			
4,351,086	A *	9/1982	Drlik	G02C 5/2245				
						16/228			
D285,452	S	9/1986	Tabacchi						
4,674,147	A *	6/1987	Drlik	G02C 5/2245				
						16/228			
5,115,540	A	5/1992	Delorme						
D351,396	S *	10/1994	Conway	D16/335				
D384,365	S *	9/1997	Keith	D16/334				
5,984,472	A	11/1999	Kobayashi						
D420,380	S	2/2000	Simioni et al.						
6,116,733	A	9/2000	Krumme et al.						
6,163,926	A	12/2000	Watanabe						
D443,633	S	6/2001	Lazarides						
D458,627	S *	6/2002	Desbiefz-Piat	D16/330				
D459,747	S	7/2002	Marc et al.						
D459,748	S *	7/2002	Marc	D16/334				
6,494,573	B1	12/2002	Huang						
D482,384	S	11/2003	Frederik Anton Thiele et al.						
D516,605	S	3/2006	Marc et al.						
7,249,845	B2	7/2007	Fiehn						
D553,179	S *	10/2007	Irvine	D16/334				
D555,709	S *	11/2007	Chen	D16/334				
8,128,219	B2 *	3/2012	Montagner	G02C 5/2236				
						16/228			
D689,117	S	9/2013	Ho						
D701,558	S *	3/2014	Lai	D16/334				
8,820,922	B2 *	9/2014	Haffmans	G02C 5/2209				
						16/228			
D721,397	S *	1/2015	Feldman	D16/334				
D741,943	S	10/2015	Keplinger						
D753,756	S *	4/2016	Renon	D16/323				
D767,015	S *	9/2016	Chim	D16/323				
D778,979	S *	2/2017	Buffa	D16/315				
D783,082	S	4/2017	Sallard						
2005/0225717	A1 *	10/2005	Reane	G02C 5/2209				
						351/153			
2013/0000077	A1 *	1/2013	Thompson	G02C 5/2209				
						16/228			

* cited by examiner

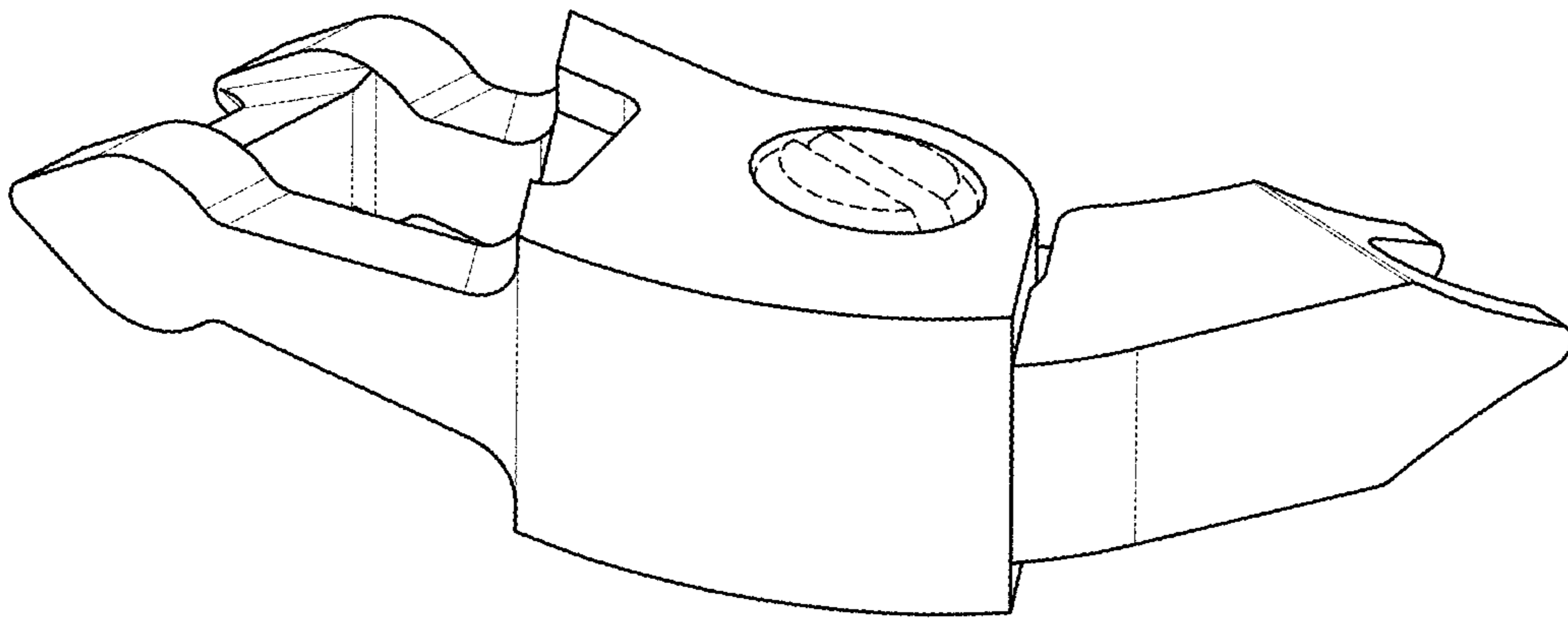


FIG. 1

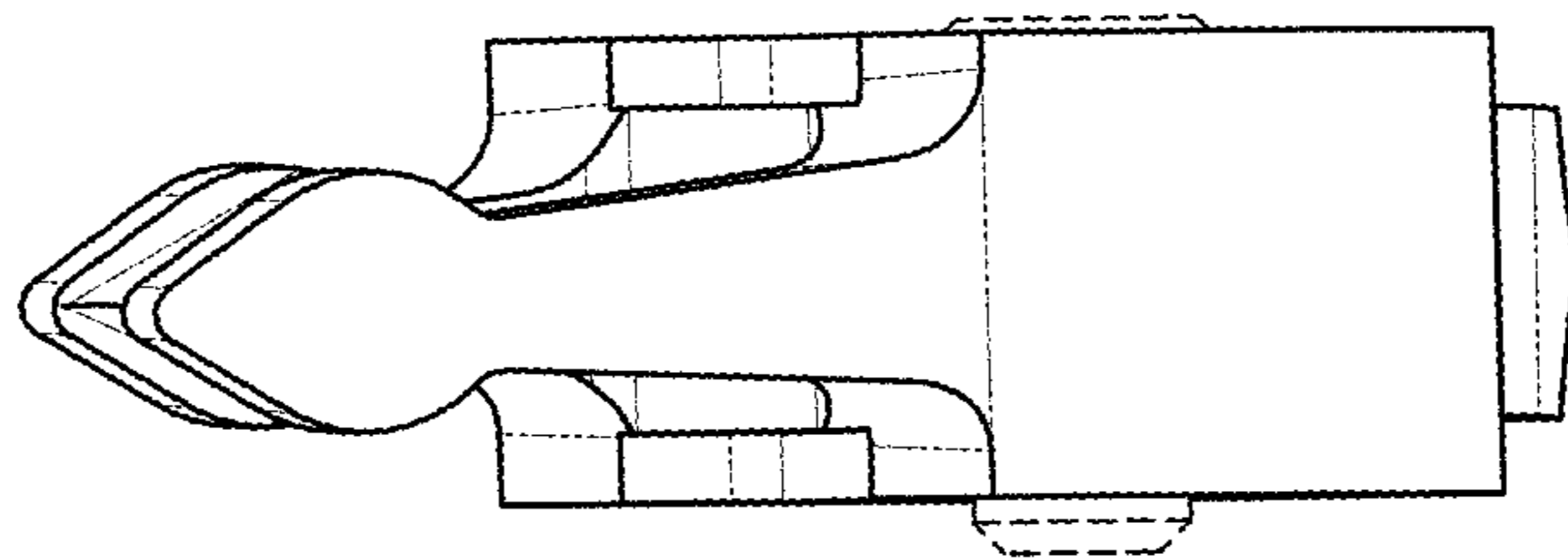


Fig. 2

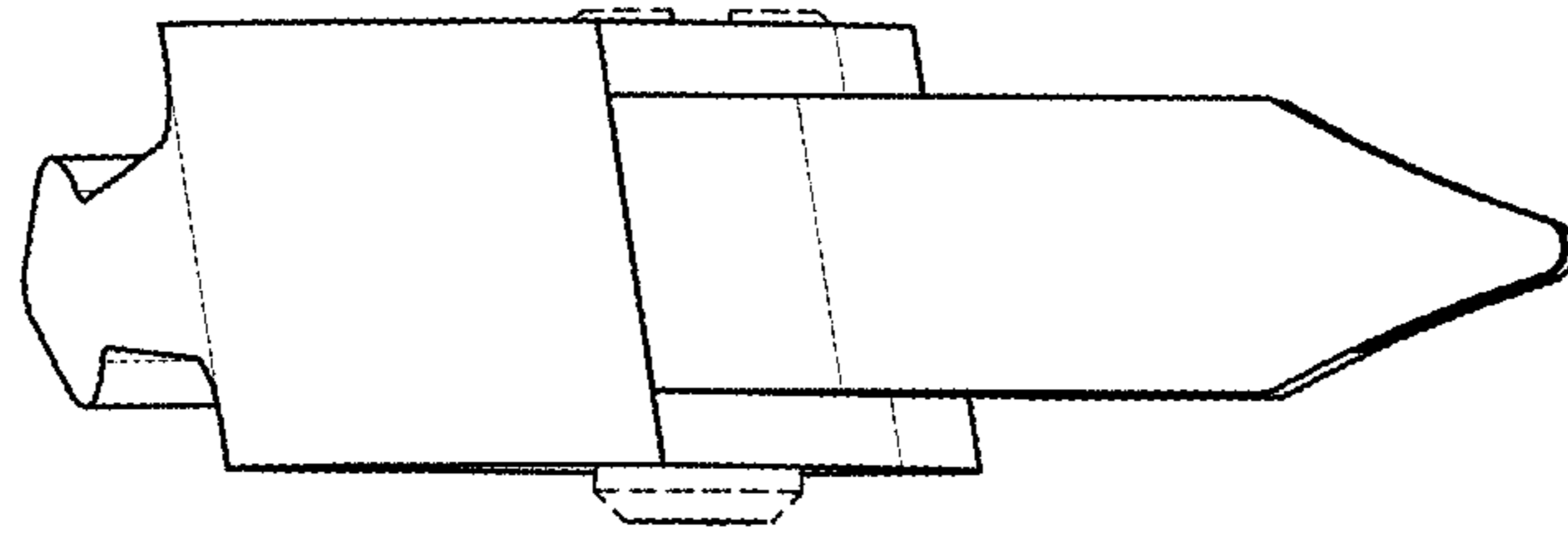


FIG. 3

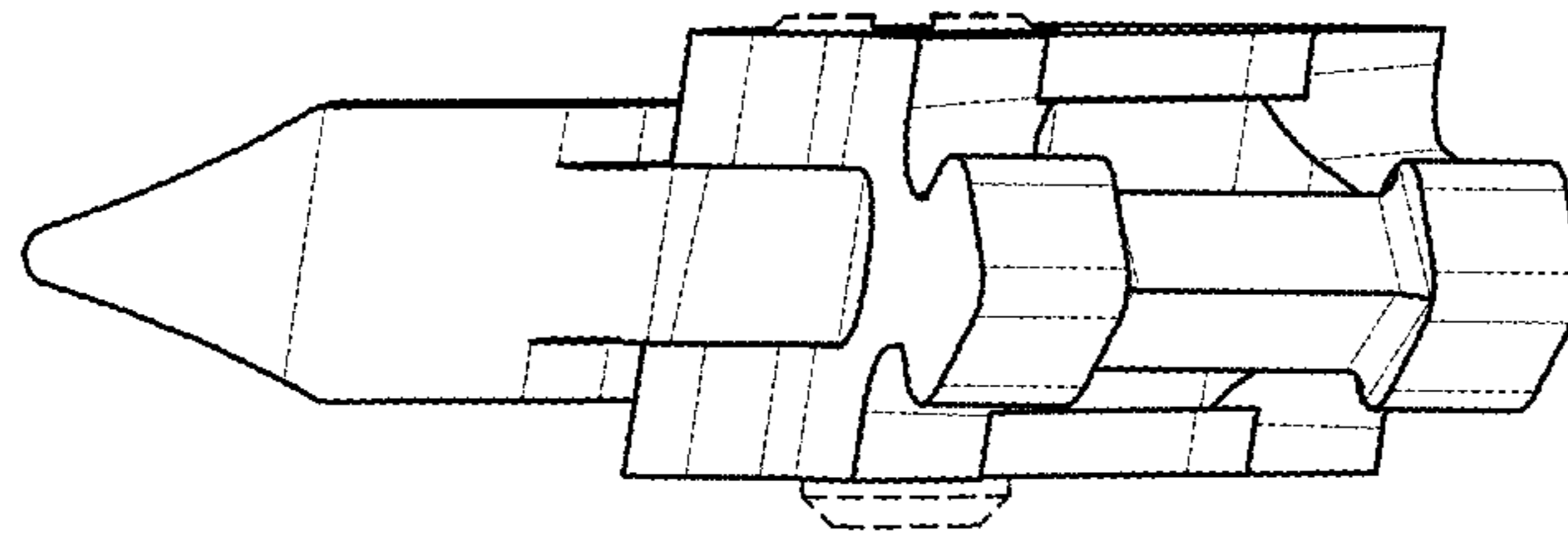


FIG. 4

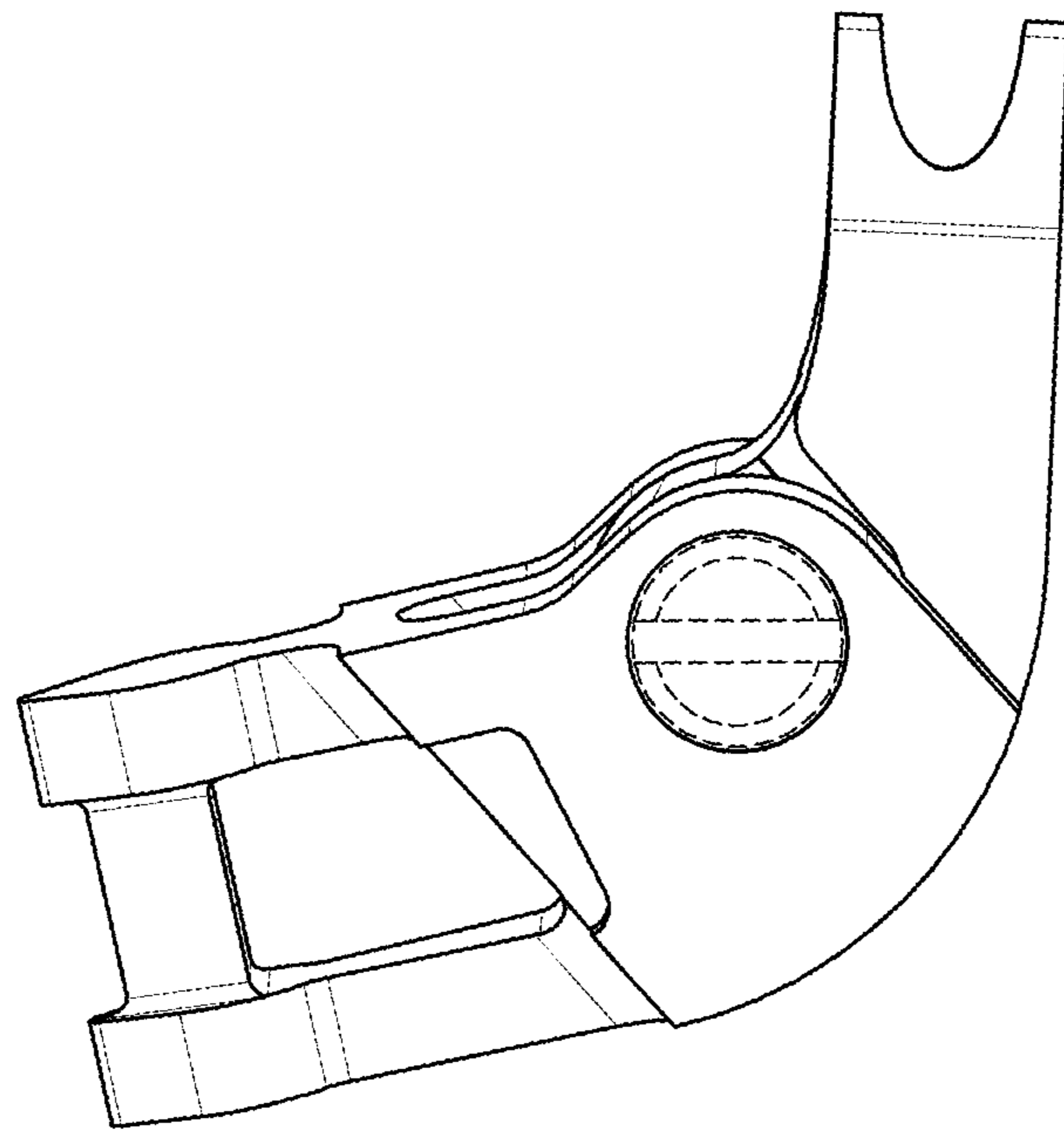


FIG. 5

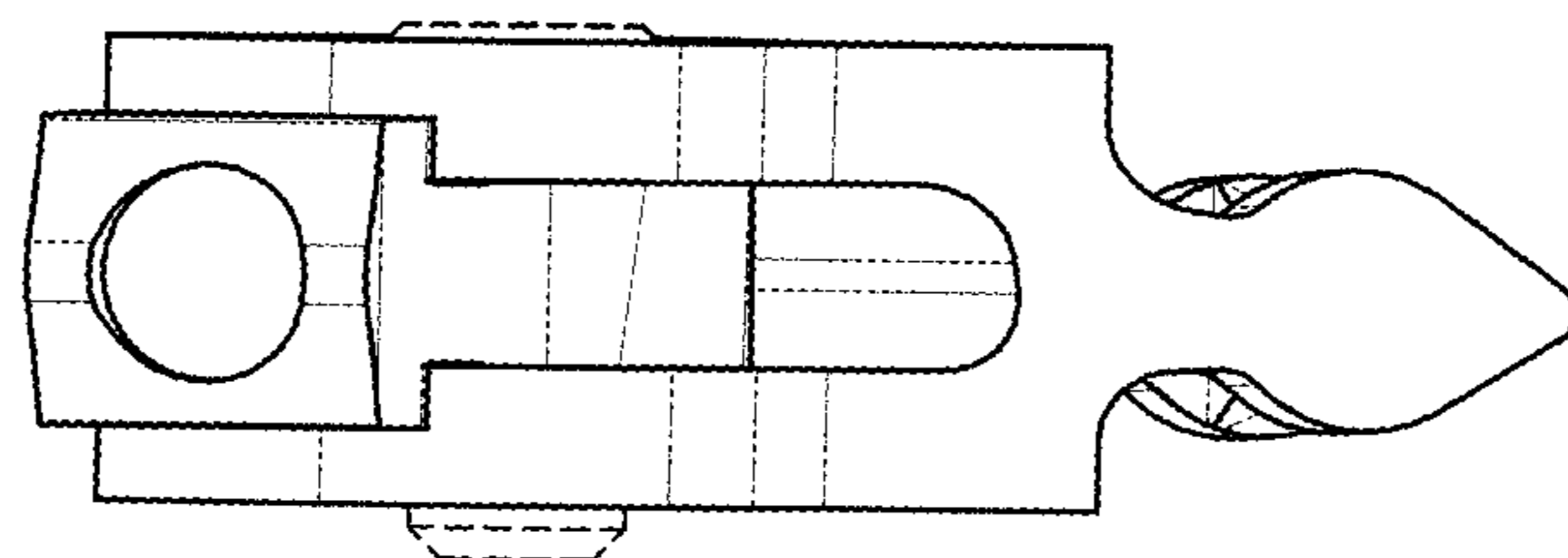


FIG. 6

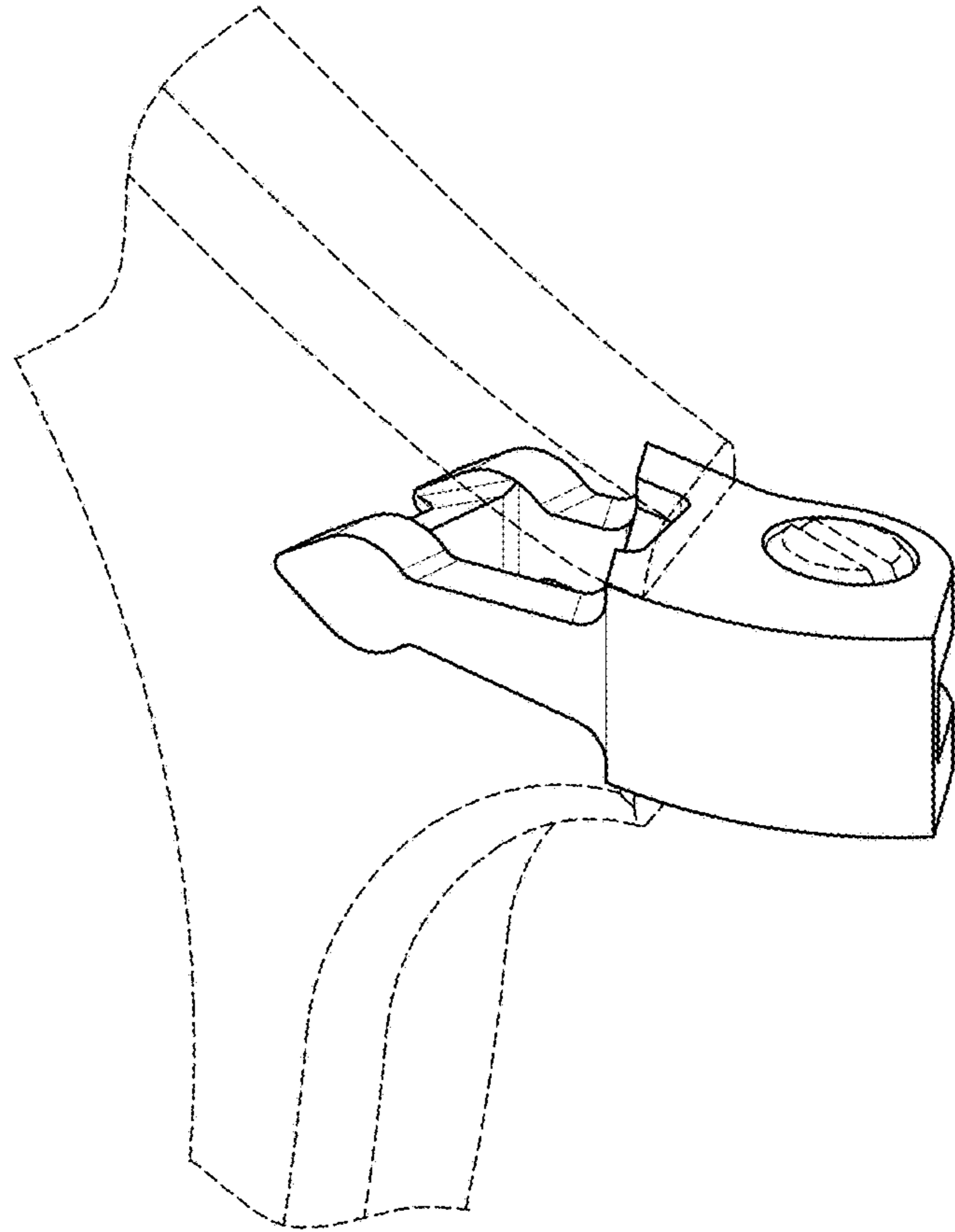


FIG. 7

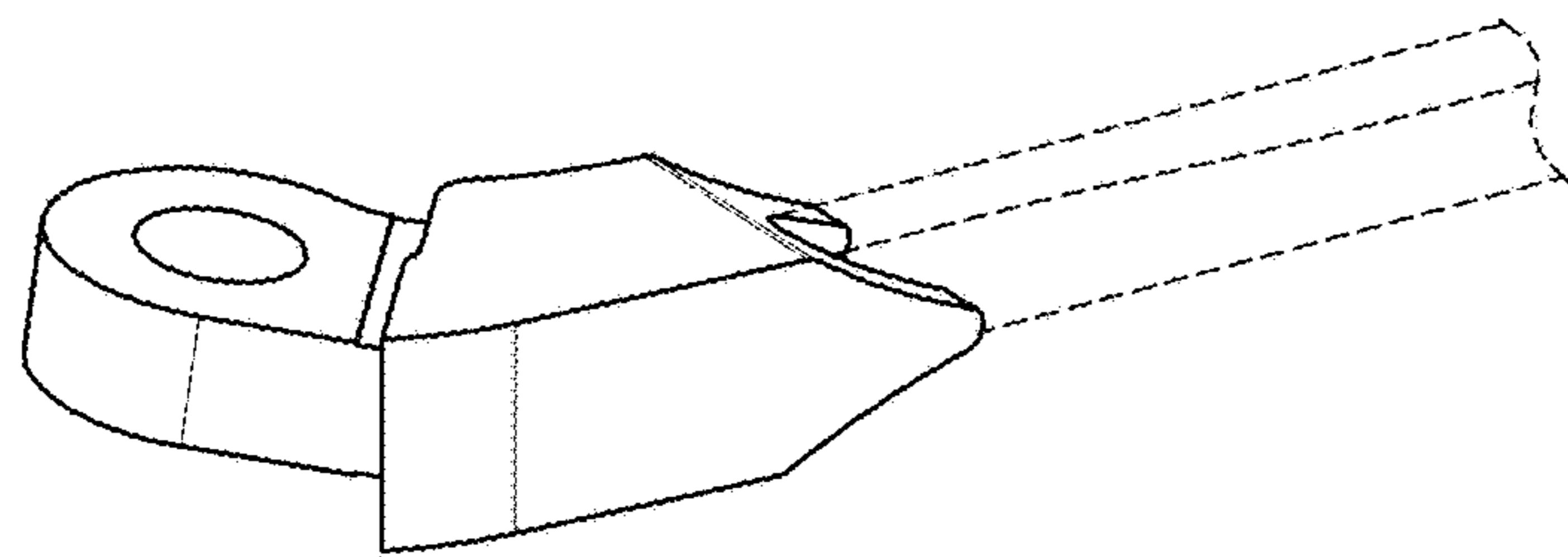


FIG. 8