



(12) **United States Design Patent** (10) **Patent No.:** **US D833,511 S**
Paterson et al. (45) **Date of Patent:** **** Nov. 13, 2018**

(54) **CAMERA MOUNT**

(71) Applicant: **GoPro, Inc.**, San Mateo, CA (US)
 (72) Inventors: **Michael Paterson**, San Francisco, CA (US); **Kelan Dammers**, Foster City, CA (US)

(73) Assignee: **GoPro, Inc.**, San Mateo, CA (US)

(**) Term: **15 Years**

(21) Appl. No.: **29/607,743**

(22) Filed: **Jun. 15, 2017**

(51) **LOC (11) Cl.** **16-05**

(52) **U.S. Cl.**
 USPC **D16/242**

(58) **Field of Classification Search**
 USPC D16/219, 237–250; D14/224, 229, 238, D14/251, 447, 451, 457; D8/354, 355, D8/363, 373, 382, 383, 394, 395, 396
 (Continued)

(56) **References Cited**

U.S. PATENT DOCUMENTS

D395,996 S * 7/1998 Fischer D8/349
 D722,864 S * 2/2015 Greenthal D8/382
 (Continued)

OTHER PUBLICATIONS

Helmet Extension Arm Self Photo. [online] Retrieved Apr. 26, 2018 from URL: <http://www.deal-dx.com/deal-dx/viewitem/233896-helmet-extension-arm-self-photo-curved-adhesive-mount-set-for-gopro-hero-1-2-3-black.html#.WuHUp4jwZPY>.*

(Continued)

Primary Examiner — Vy N Koenig

(74) *Attorney, Agent, or Firm* — Young Basile Hanlon & MacFarlane, P.C.

(57) **CLAIM**

The ornamental design for a camera mount, as shown and described.

DESCRIPTION

FIG. 1 is an upper, front, right perspective view of an embodiment of a camera mount.

FIG. 2 is a lower, front, left perspective view of the camera mount shown in FIG. 1.

FIG. 3 is a top plan view of the camera mount shown in FIG. 1.

FIG. 4 is a rear elevation view of the camera mount shown in FIG. 1.

FIG. 5 is a front elevation view of the camera mount shown in FIG. 1.

FIG. 6 is a right elevation view of the camera mount shown in FIG. 1.

FIG. 7 is a left elevation view of the camera mount shown in FIG. 1.

FIG. 8 is an upper, front, right perspective view of another embodiment of a camera mount.

FIG. 9 is a lower, front, left perspective view of the camera mount shown in FIG. 8.

FIG. 10 is a top plan view of the camera mount shown in FIG. 8.

FIG. 11 is a rear elevation view of the camera mount shown in FIG. 8.

FIG. 12 is a front elevation view of the camera mount shown in FIG. 8.

FIG. 13 is a right elevation view of the camera mount shown in FIG. 8.

FIG. 14 is a left elevation view of the camera mount shown in FIG. 8.

FIG. 15 is an upper, front, right perspective view of another embodiment of another embodiment of a camera mount

FIG. 16 is a lower, front, left perspective view of the camera mount shown in FIG. 15.

FIG. 17 is a top plan view of the camera mount shown in FIG. 15.

FIG. 18 is a rear elevation view of the camera mount shown in FIG. 15.

FIG. 19 is a front elevation view of the camera mount shown in FIG. 15.

(Continued)

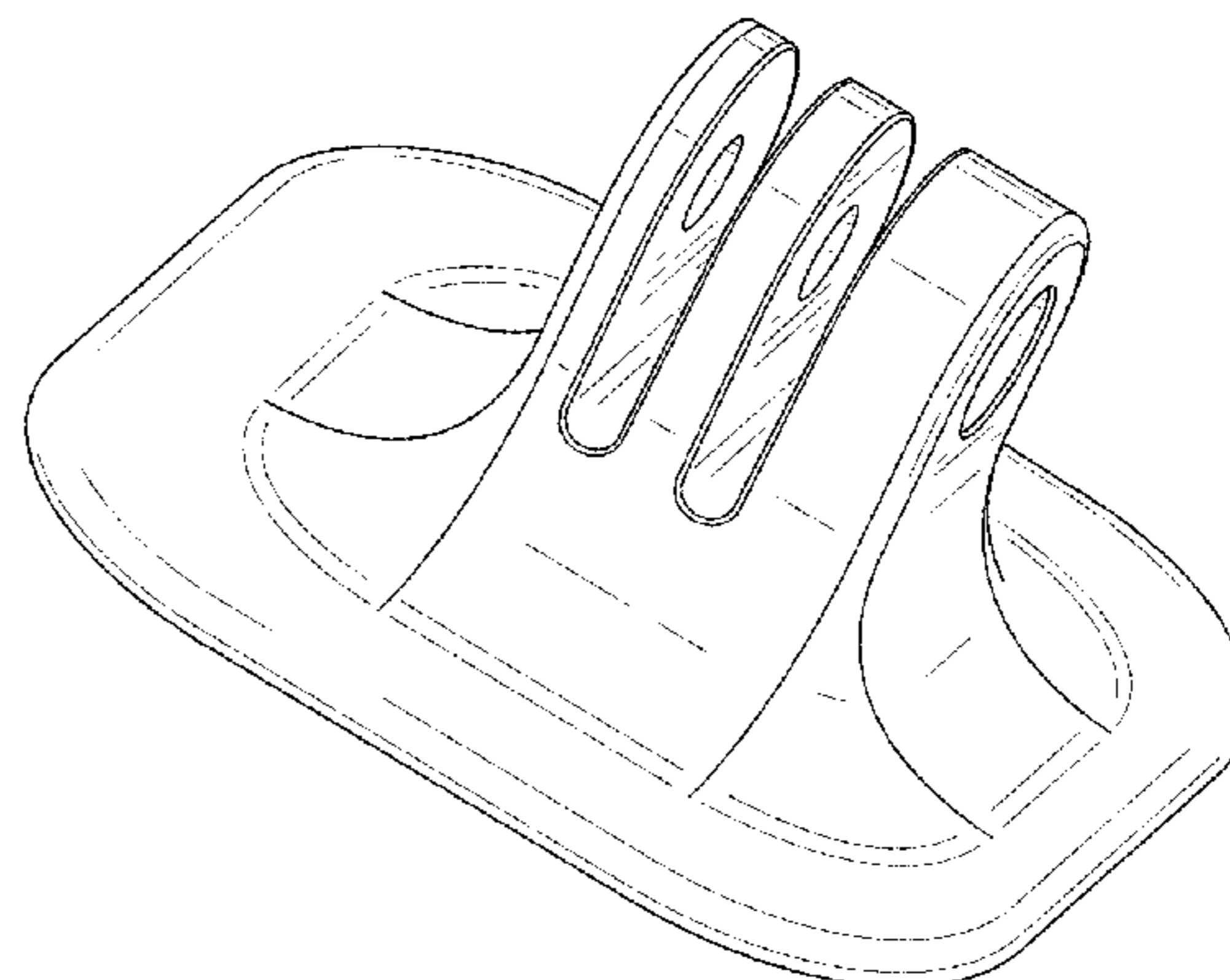
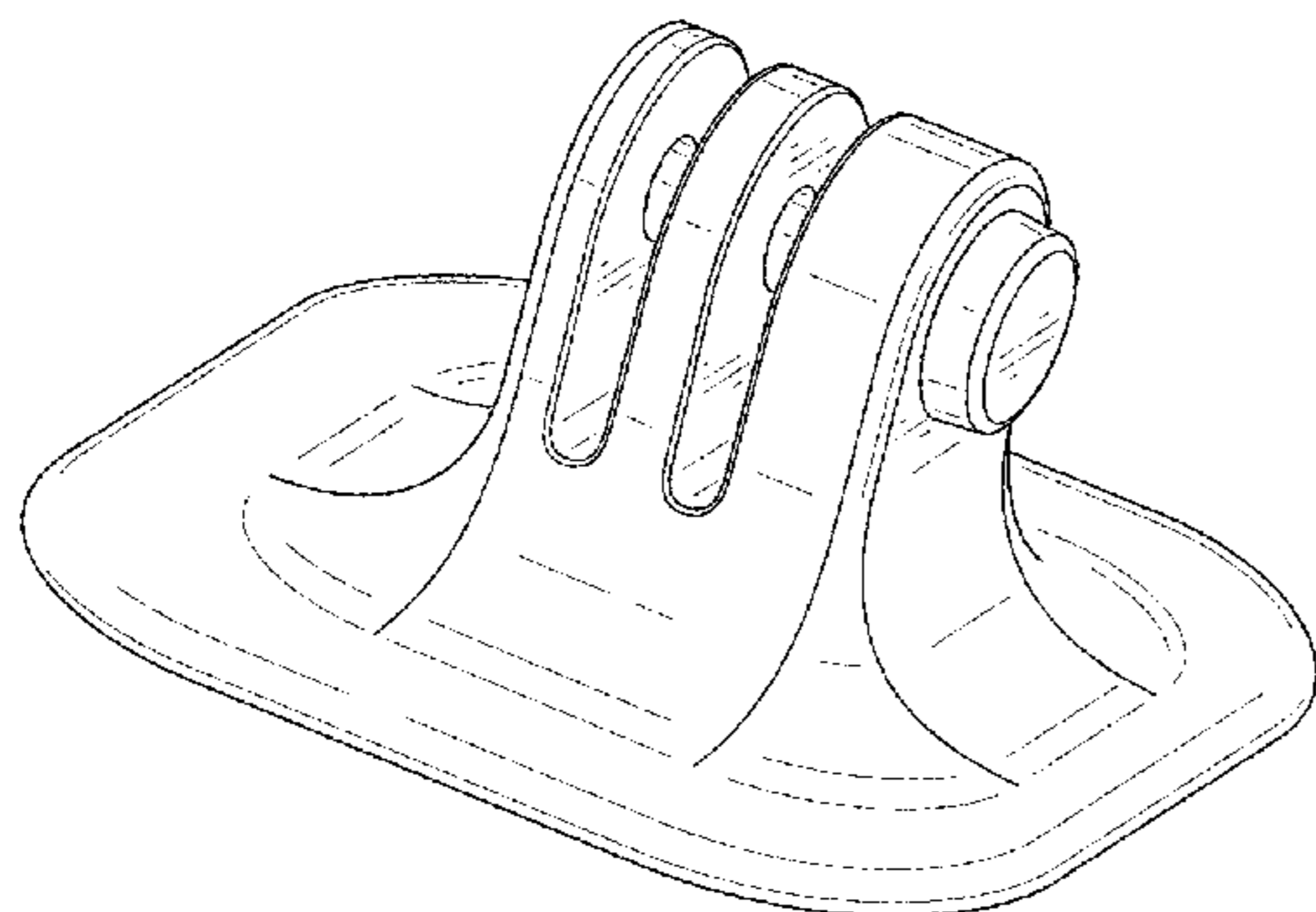


FIG. 20 is a right elevation view of the camera mount shown in FIG. 15.

FIG. 21 is a left elevation view of the camera mount shown in FIG. 15.

FIG. 22 is an upper, front, right perspective view of another embodiment of a camera mount.

FIG. 23 is a lower, front, left perspective view of the camera mount shown in FIG. 22.

FIG. 24 is a top plan view of the camera mount shown in FIG. 22.

FIG. 25 is a rear elevation view of the camera mount shown in FIG. 22.

FIG. 26 is a front elevation view of the camera mount shown in FIG. 22.

FIG. 27 is a right elevation view of the camera mount shown in FIG. 22; and,

FIG. 28 is a left elevation view of the camera mount shown in FIG. 22.

1 Claim, 16 Drawing Sheets

(58) **Field of Classification Search**

CPC G03B 17/56; G03B 17/561–17/568; G02B 7/00–7/002; H04N 5/2253–5/2254; F16M 11/06–11/10; F16M 11/14; A45F 5/10
See application file for complete search history.

(56) **References Cited**

U.S. PATENT DOCUMENTS

D722,865 S * 2/2015 Greenthal D8/382
D757,842 S * 5/2016 Harrison D16/242

9,588,407 B1 * 3/2017 Harrison G03B 17/561
D795,326 S * 8/2017 Martin D16/242
D800,204 S * 10/2017 Harrison D16/242
D800,205 S * 10/2017 Harrison D16/242
D800,822 S * 10/2017 Costa D16/242
9,778,548 B2 * 10/2017 Achenbach G03B 17/561
9,851,622 B2 * 12/2017 Song G03B 17/561
D809,052 S * 1/2018 Martin D16/242
2015/0316205 A1 * 11/2015 Bennett F16M 13/00
224/181
2017/0108760 A1 * 4/2017 Achenbach G03B 17/561
2017/0299948 A1 * 10/2017 Kittaneh G03B 17/561

OTHER PUBLICATIONS

GoPro Curved & Flat Adhesive Camera Mounts. [online] Retrieved Apr. 26, 2018 from URL: https://shop.gopro.com/mounts/curved-plus-flat-adhesive-mounts/AACFT-001.html?gclid=Cj0KCQjw8YXXBRDXARIsAMzsQuULhXH3HglOAtxFdhOf_pptFXomPUdAFufWvEqDyTVM3QYdy69VMNQaAhtHEALw_wcB&dclid=CO-Ny-ql2NoCFcyhswodVDwLbw.*
GoPro, <https://web.archive.org/web/20151001025657/https://shop.gopro.com/mounts/tripod-mounts/ABQRT-002.html>, Tripod mounts, web page, Oct. 1, 2015, 5 pages, last accessed Jun. 15, 2017.
GoPro, <https://web.archive.org/web/20160229210231/https://shop.gopro.com/mounts/the-handler-floating-hand-grip/AFHGM-001.html>, The handler (floating hand grip), web page, Feb. 29, 2016, 2 pages, last accessed Jun. 15, 2017.
GoPro, <https://web.archive.org/web/20141202072738/https://shop.gopro.com/mounts/3-way/AFAEM-001.html>, 3-way web page, Dec. 2, 2014, 5 pages, last accessed Jun. 15, 2017.

* cited by examiner

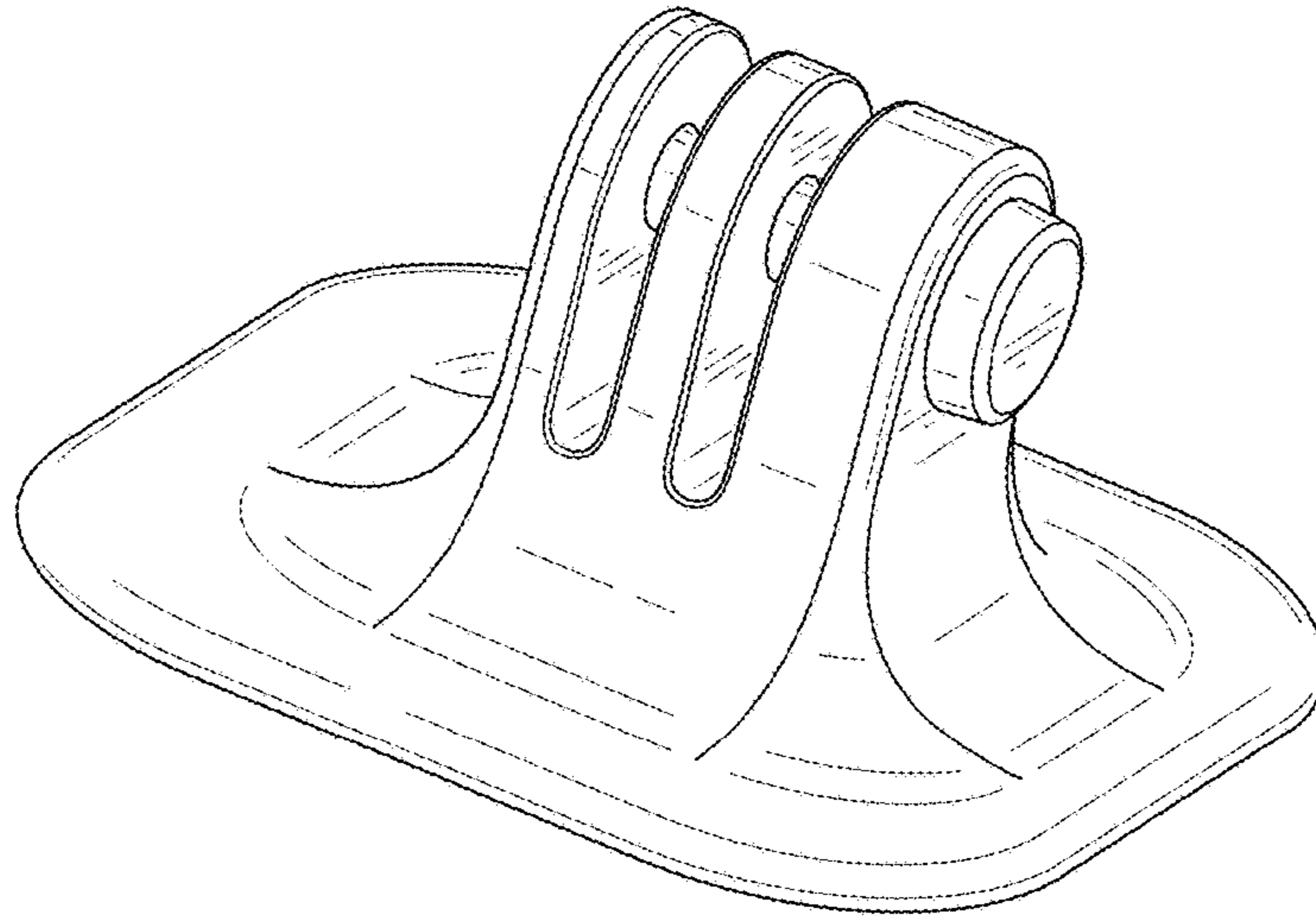


FIG. 1

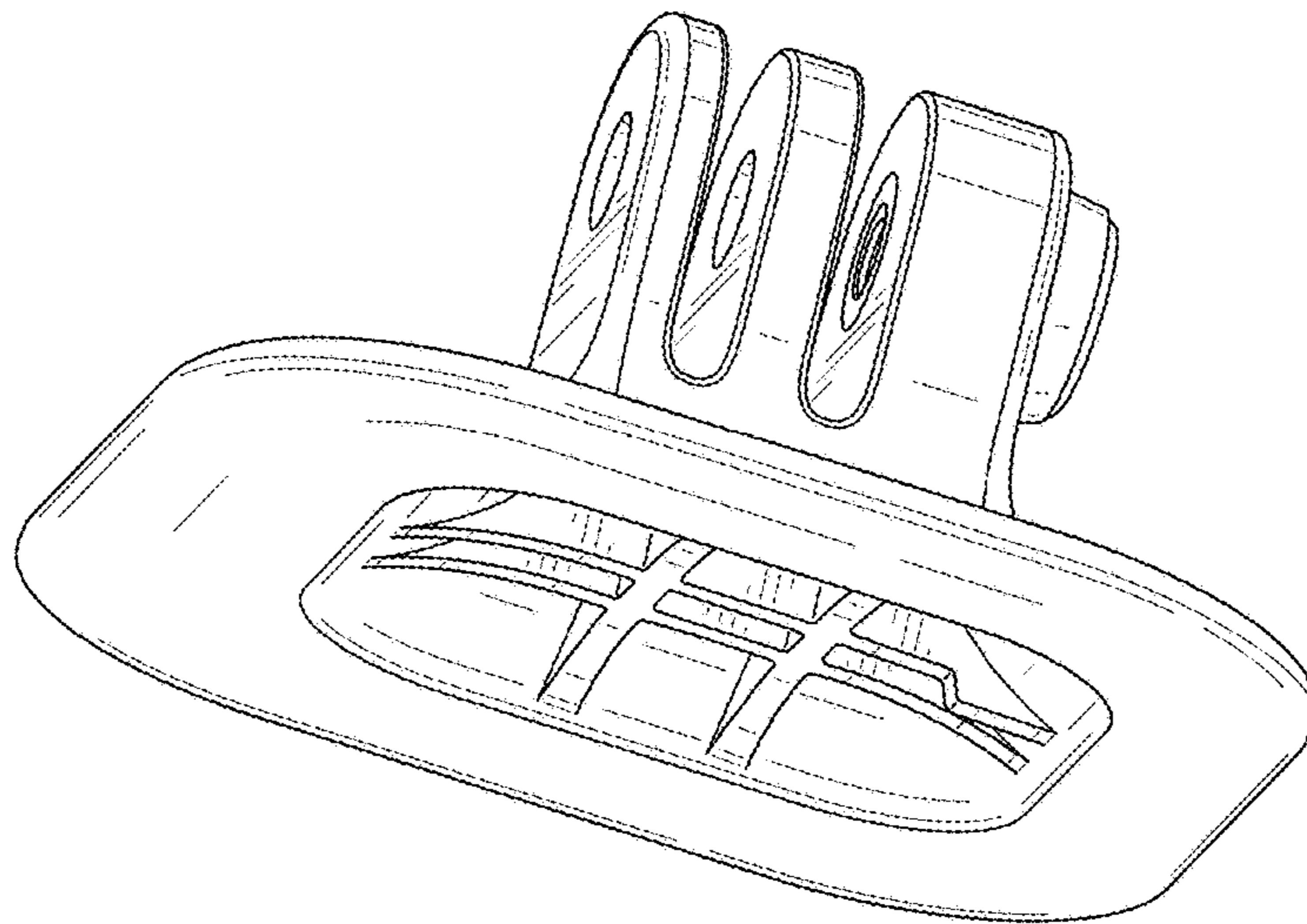


FIG. 2

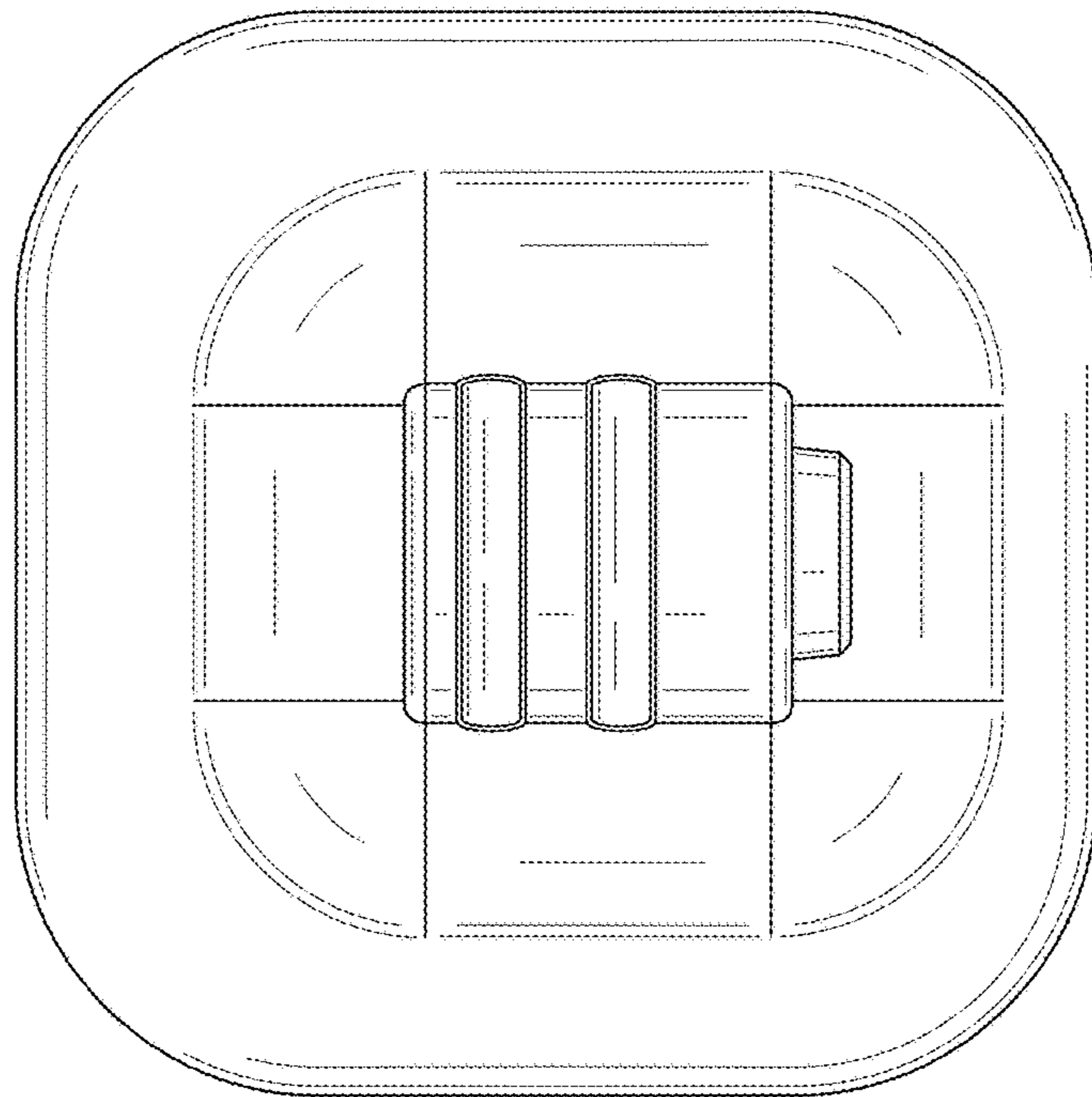


FIG. 3

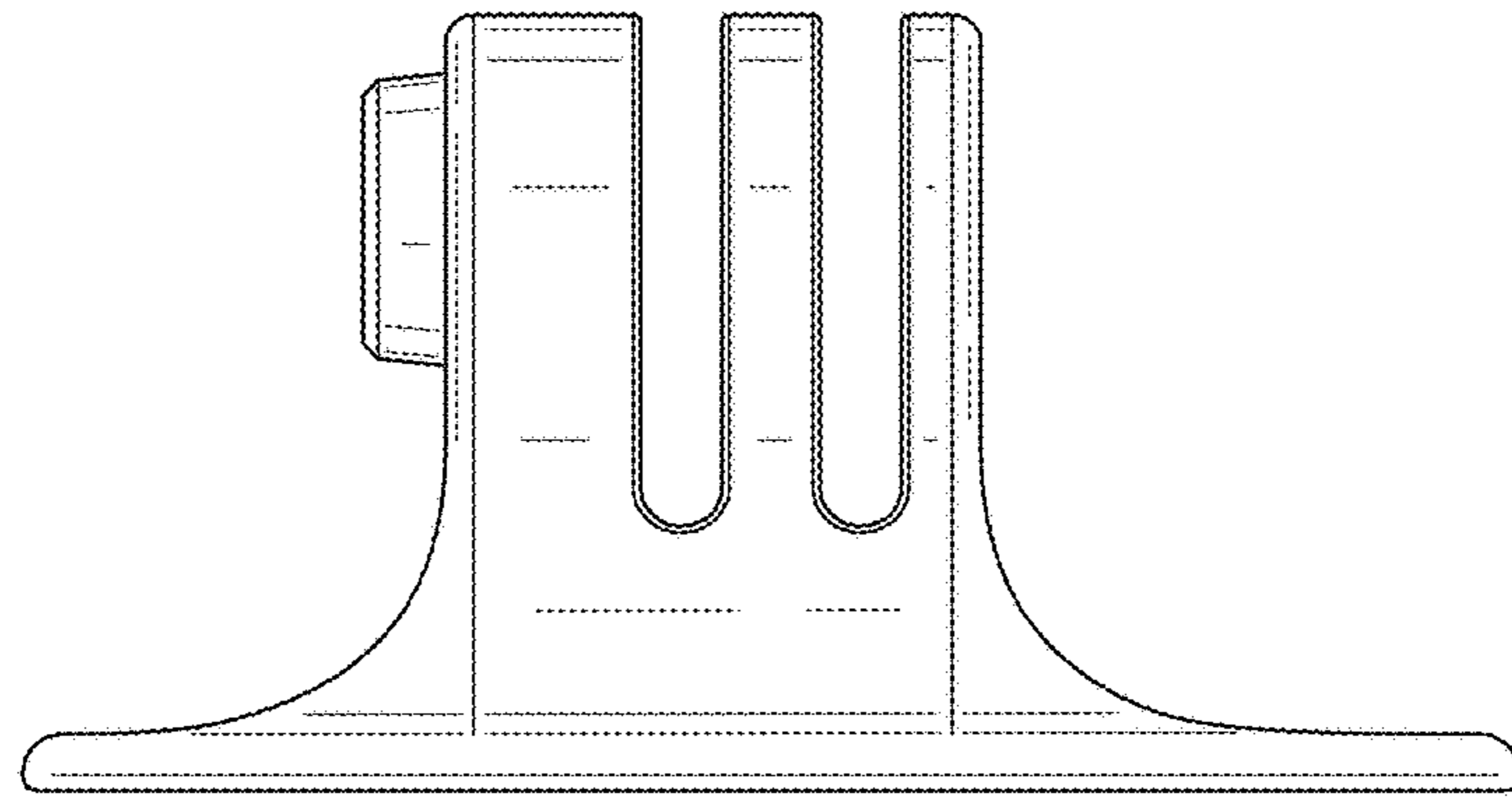


FIG. 4

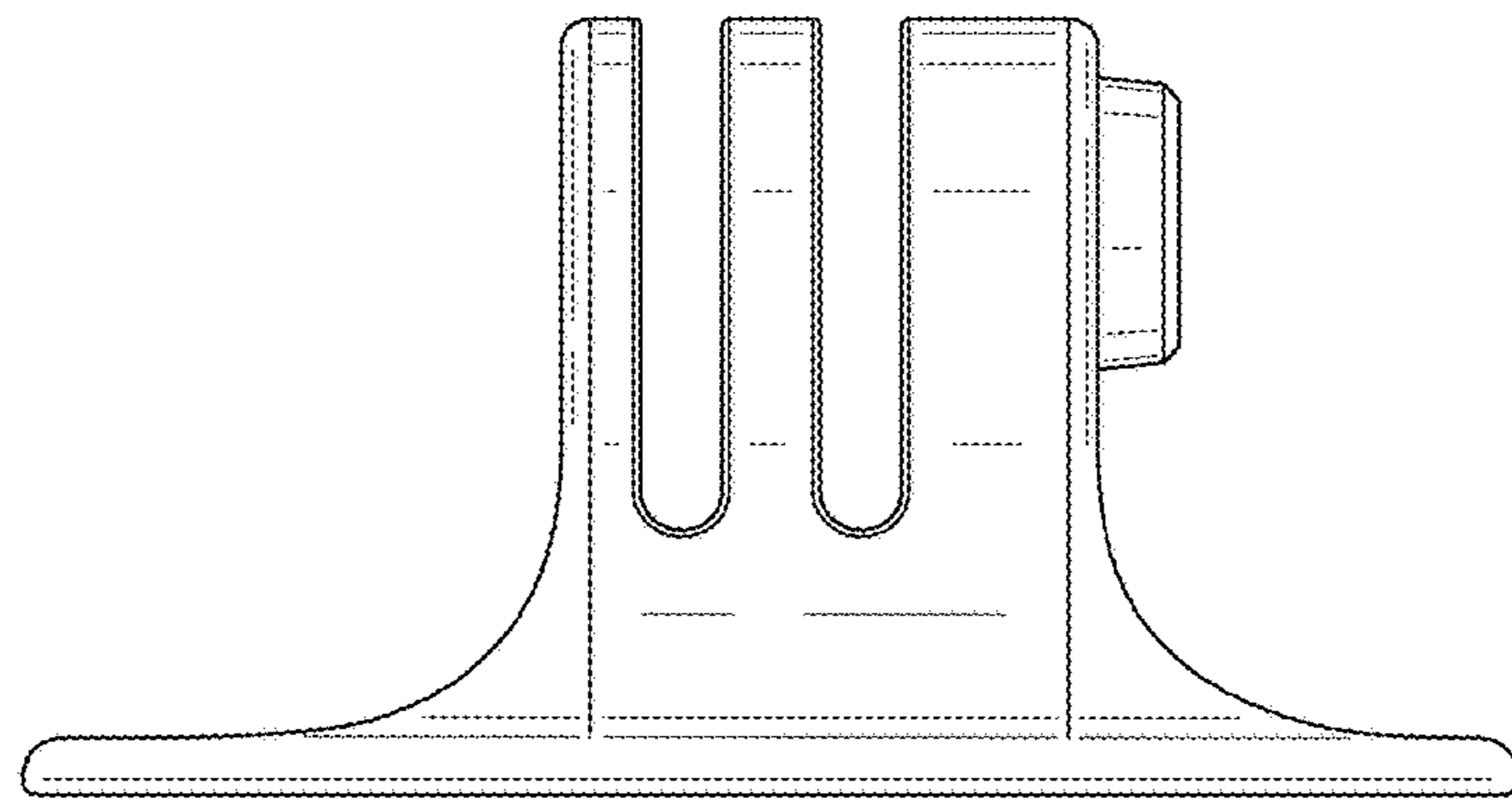


FIG. 5

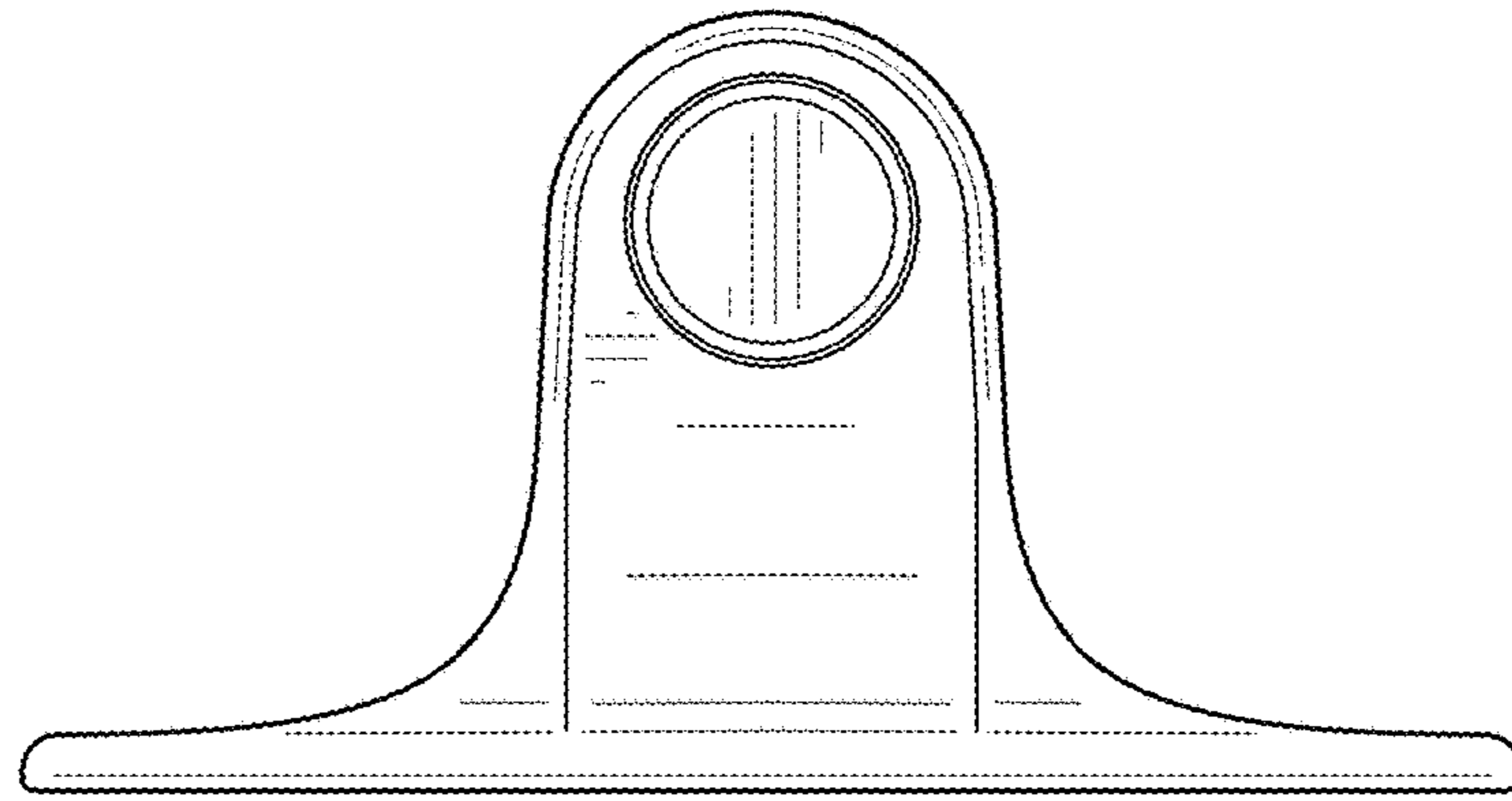


FIG. 6

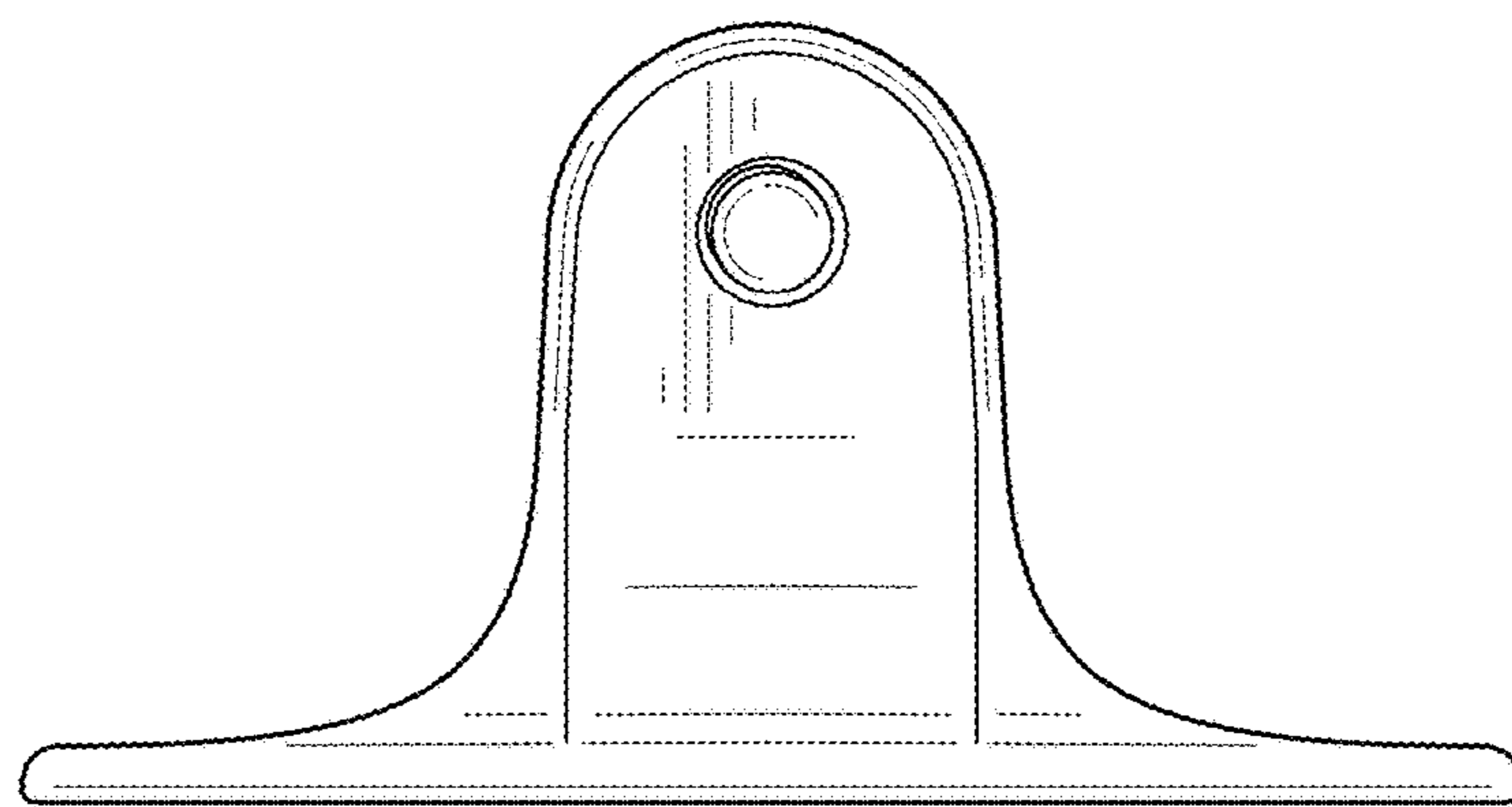


FIG. 7

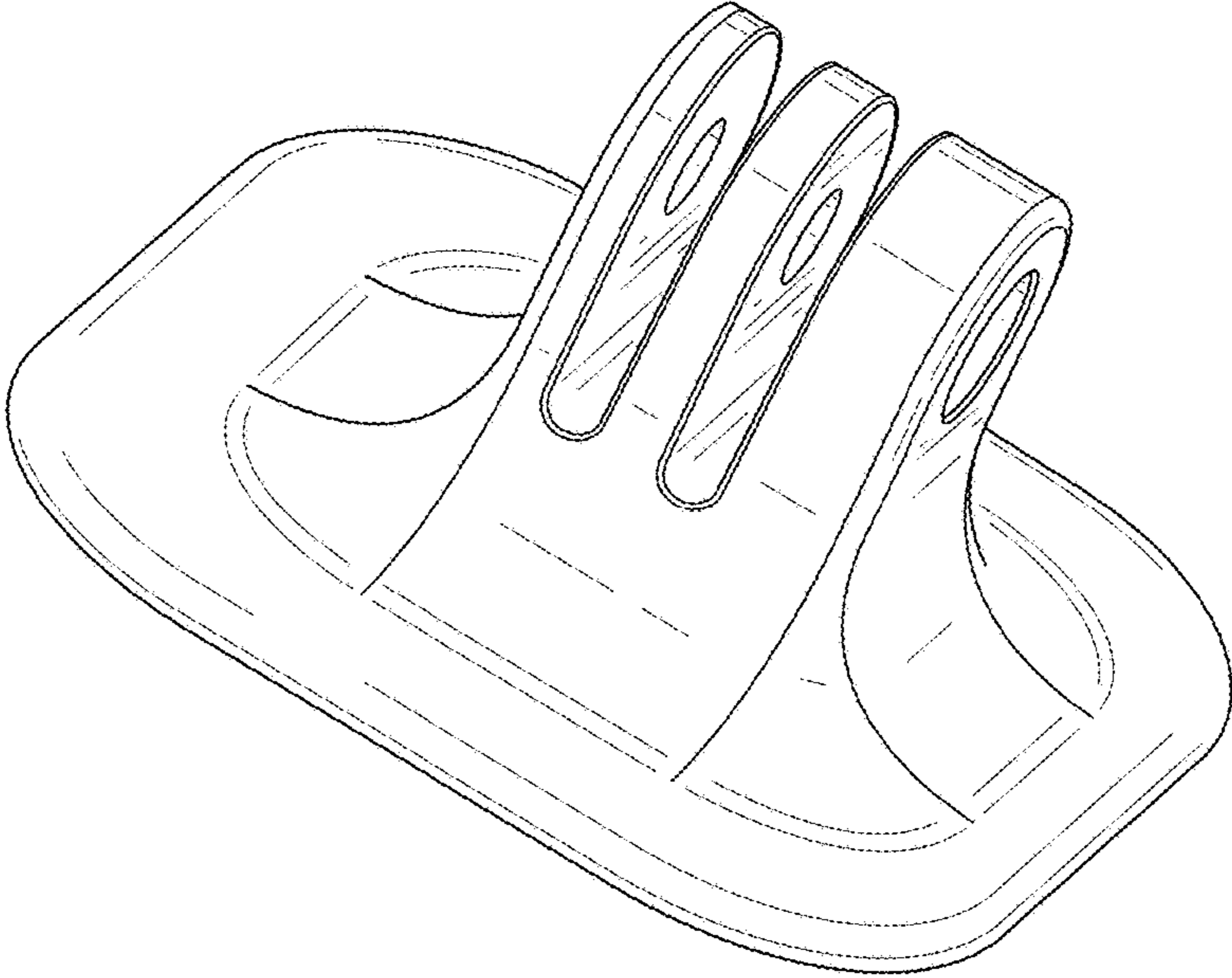


FIG. 8

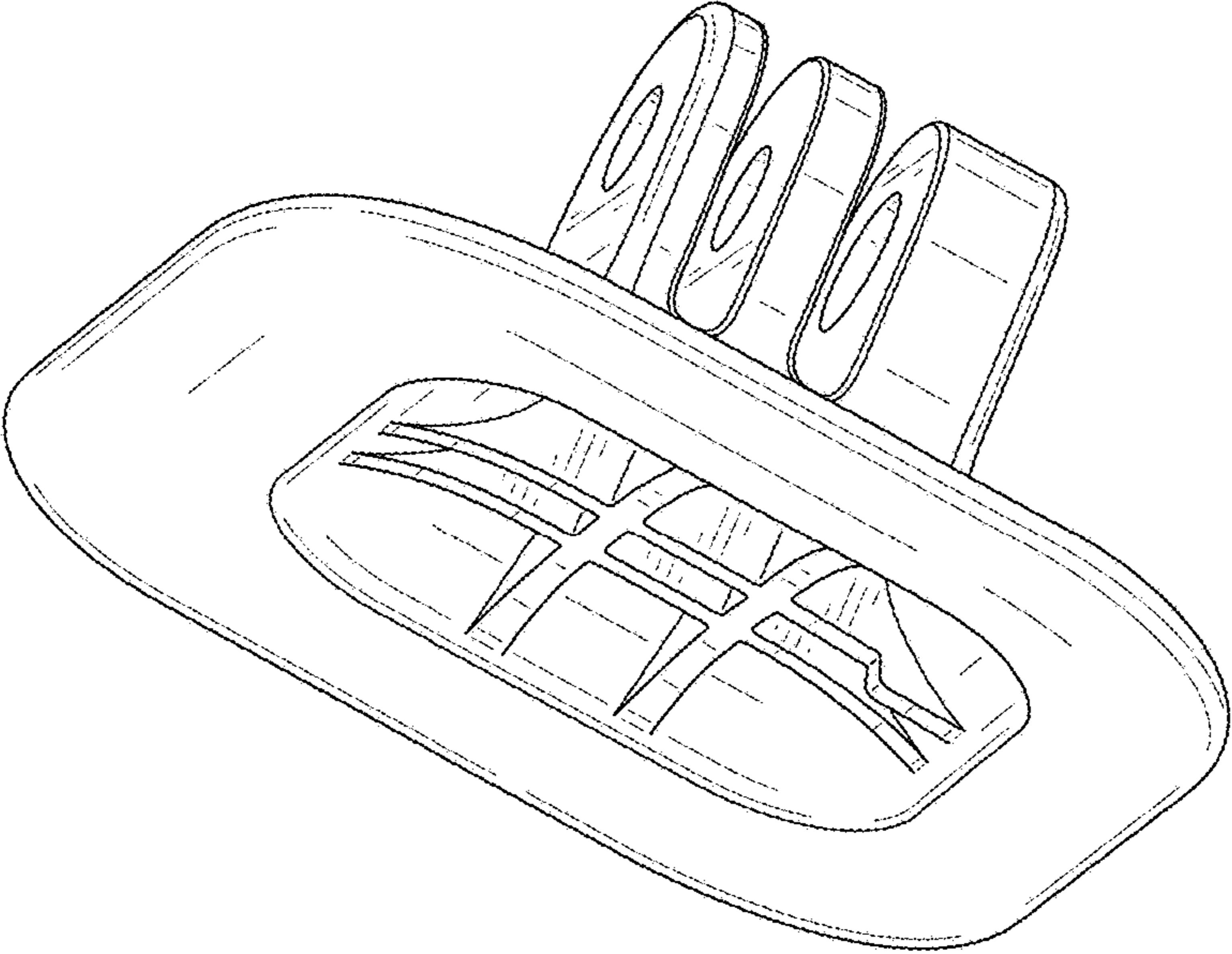


FIG. 9

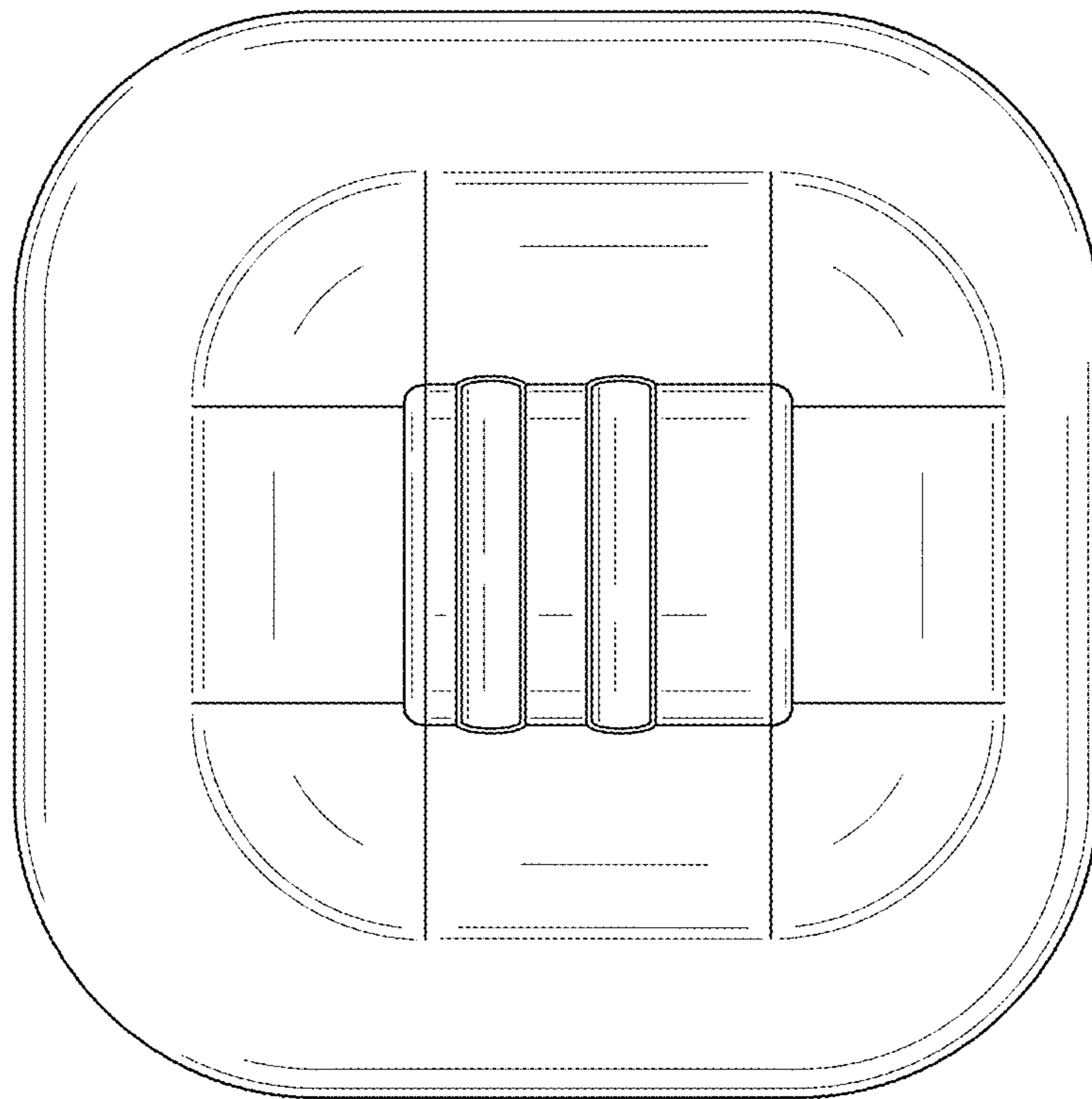


FIG. 10

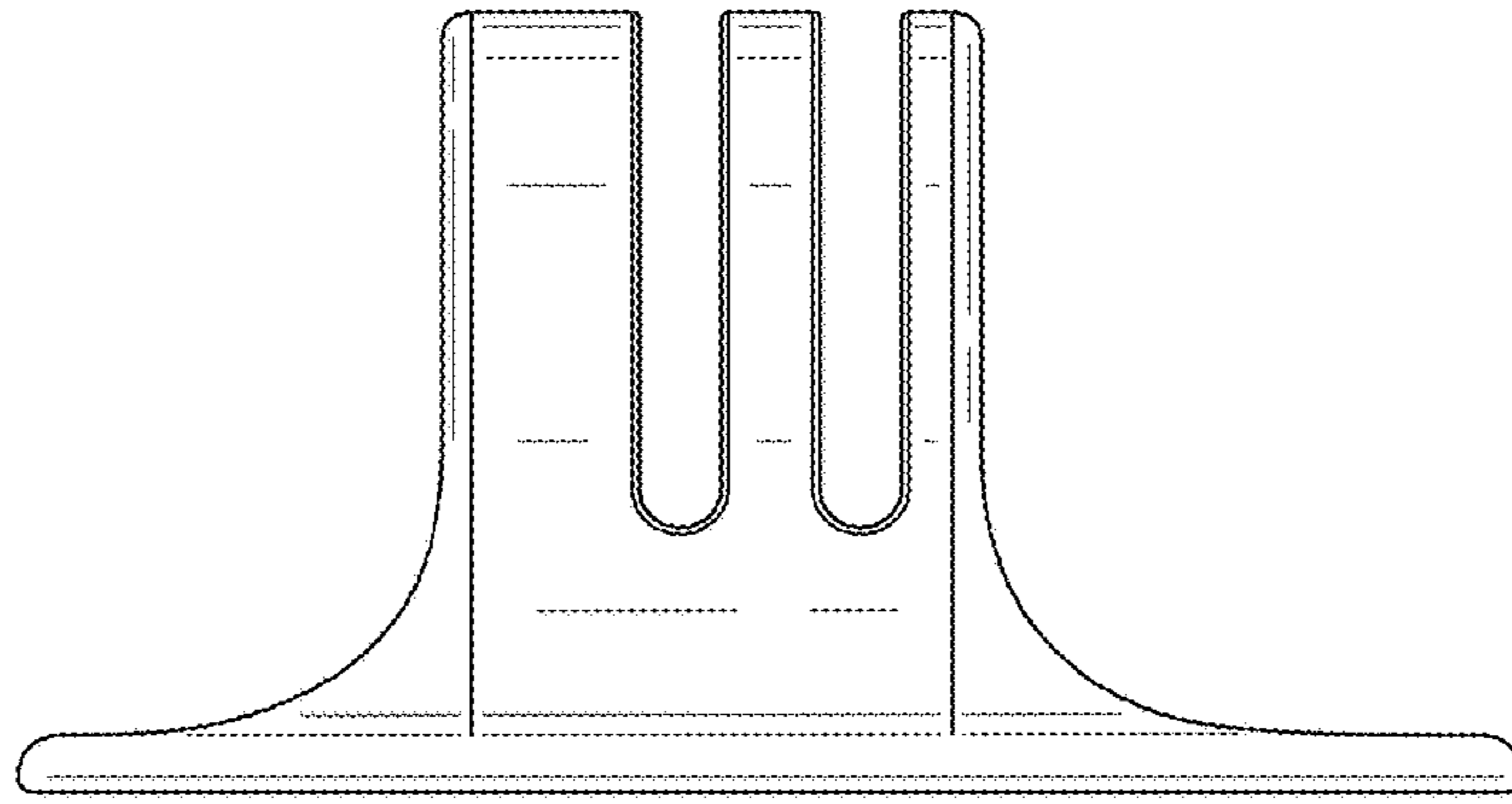


FIG. 11

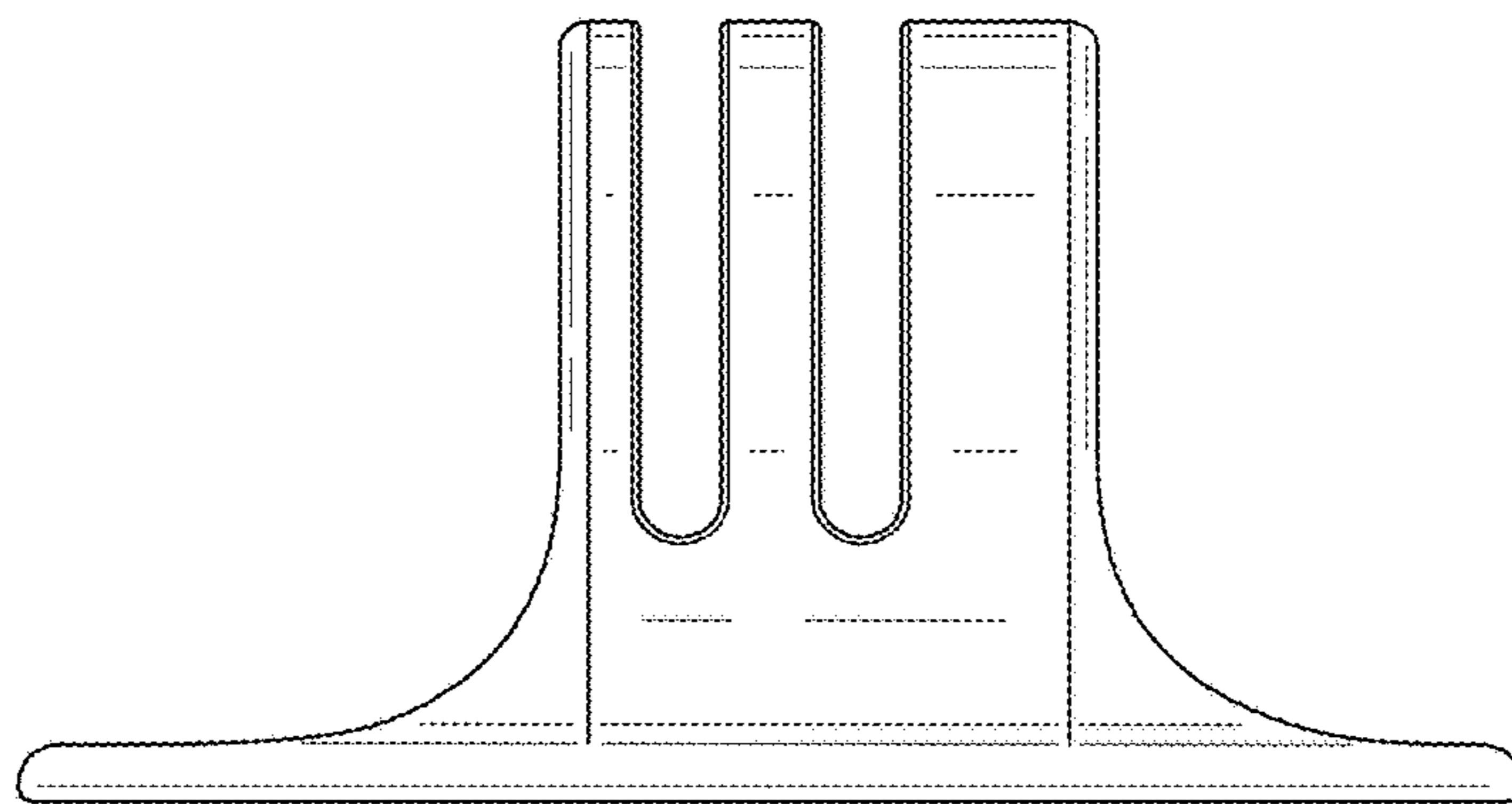


FIG. 12

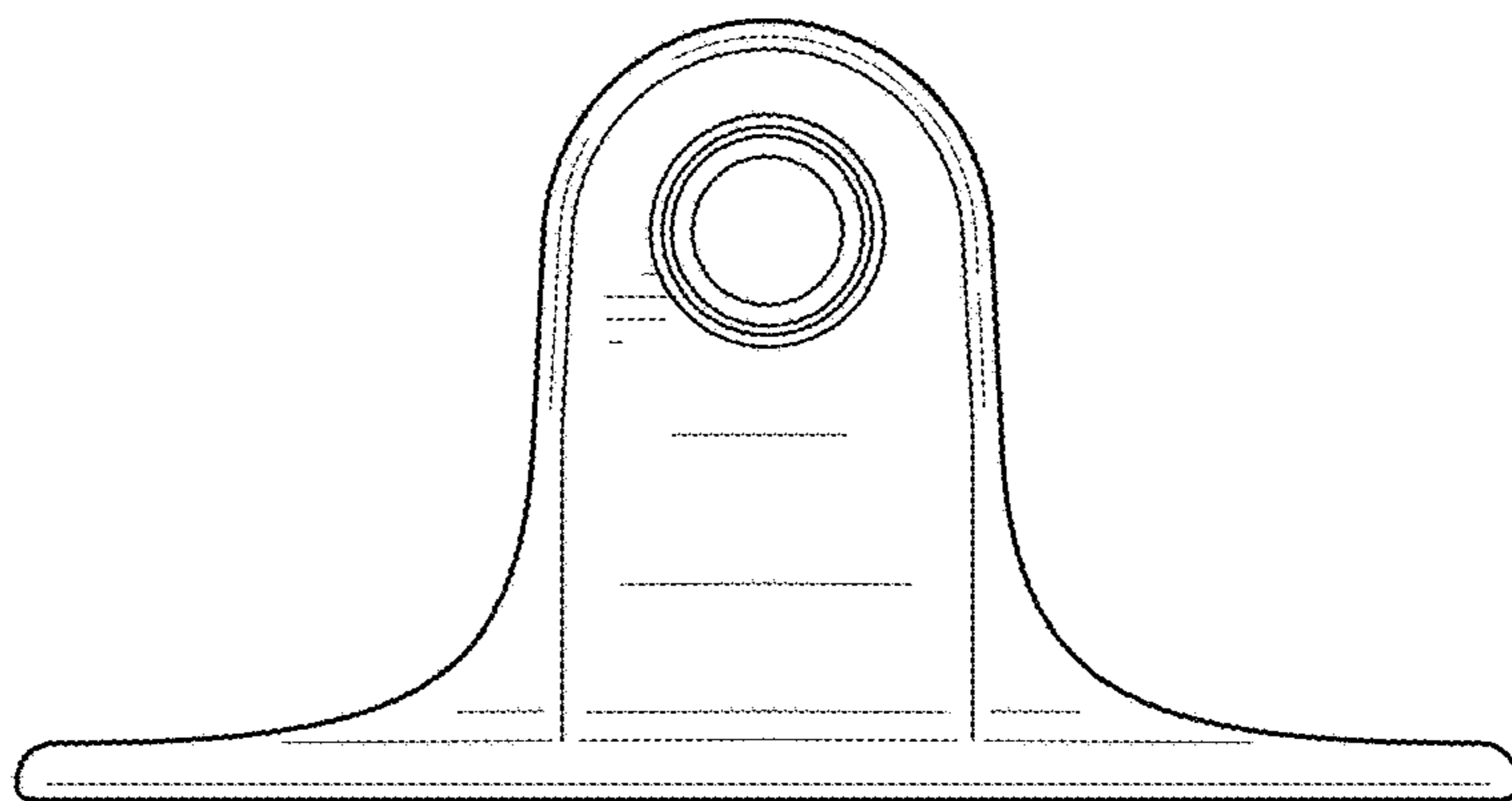


FIG. 13

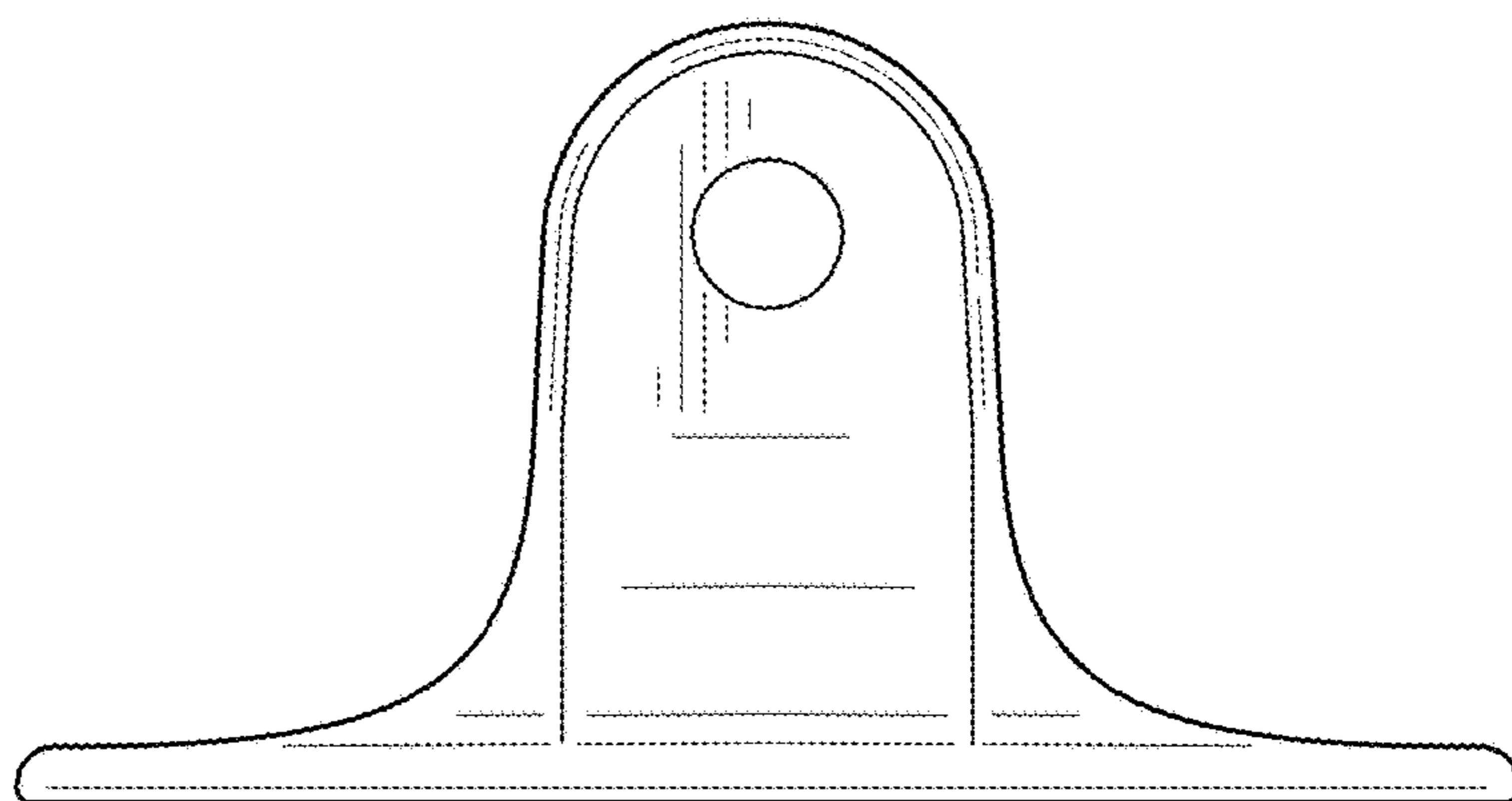


FIG. 14

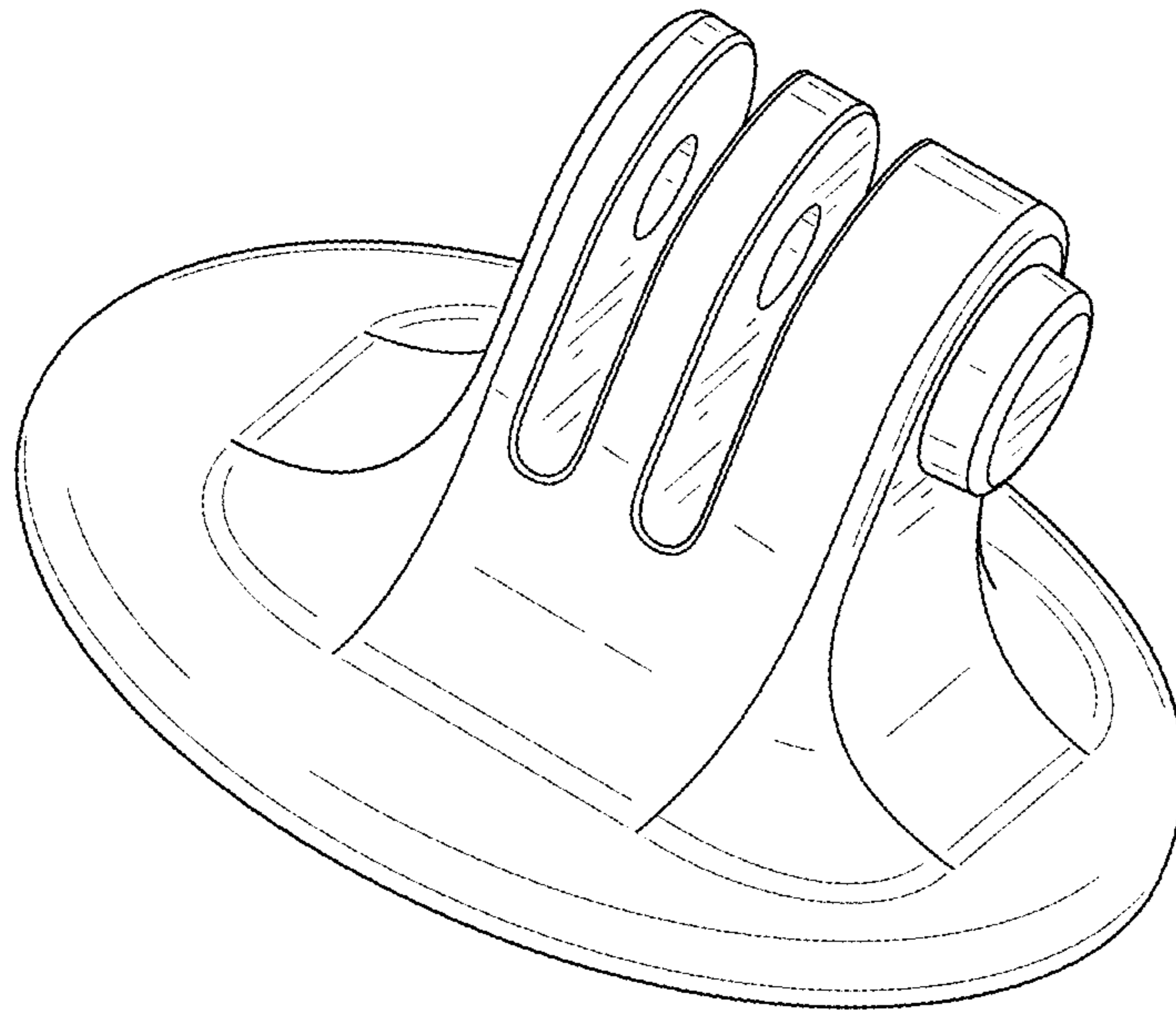


FIG. 15

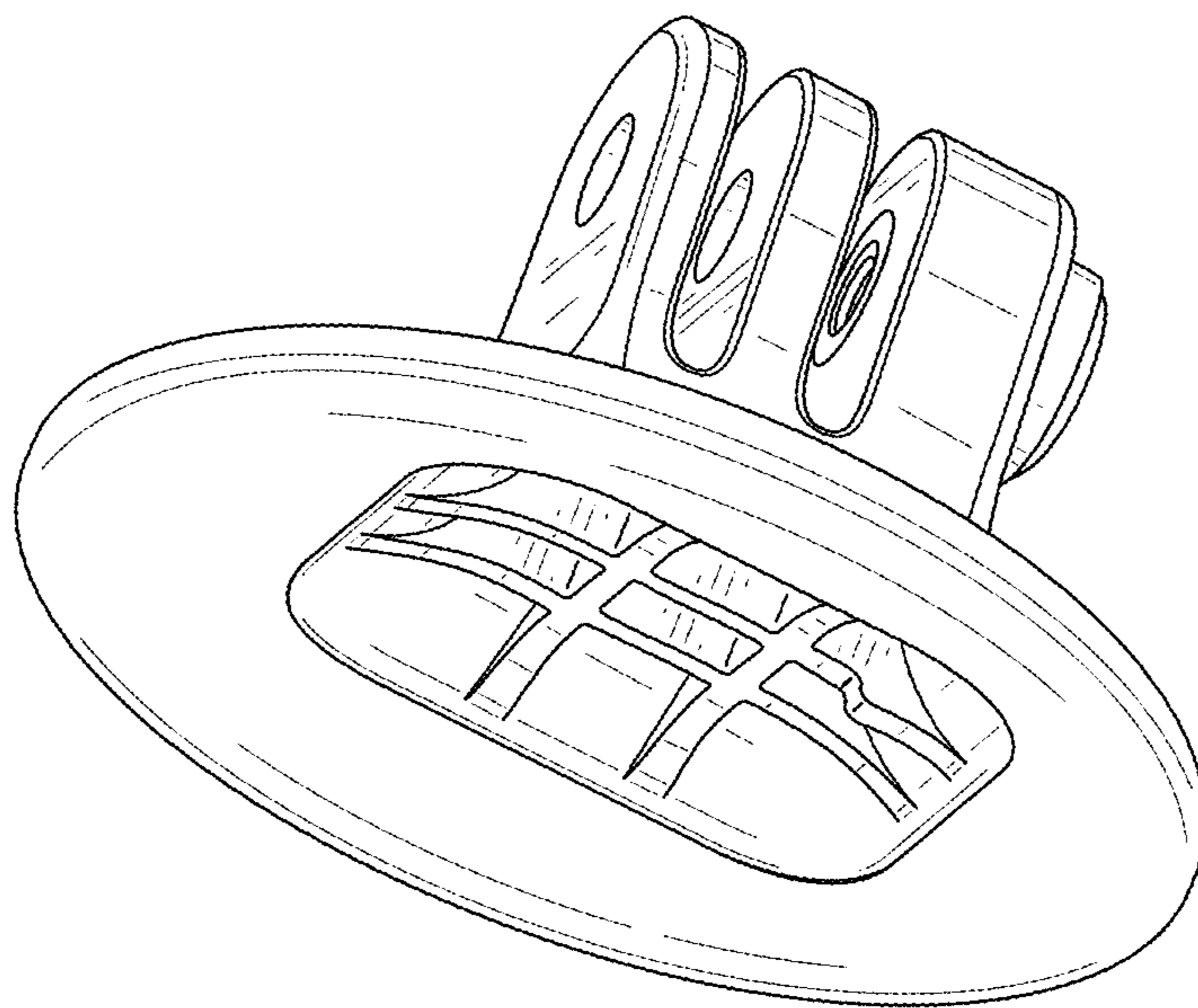


FIG. 16

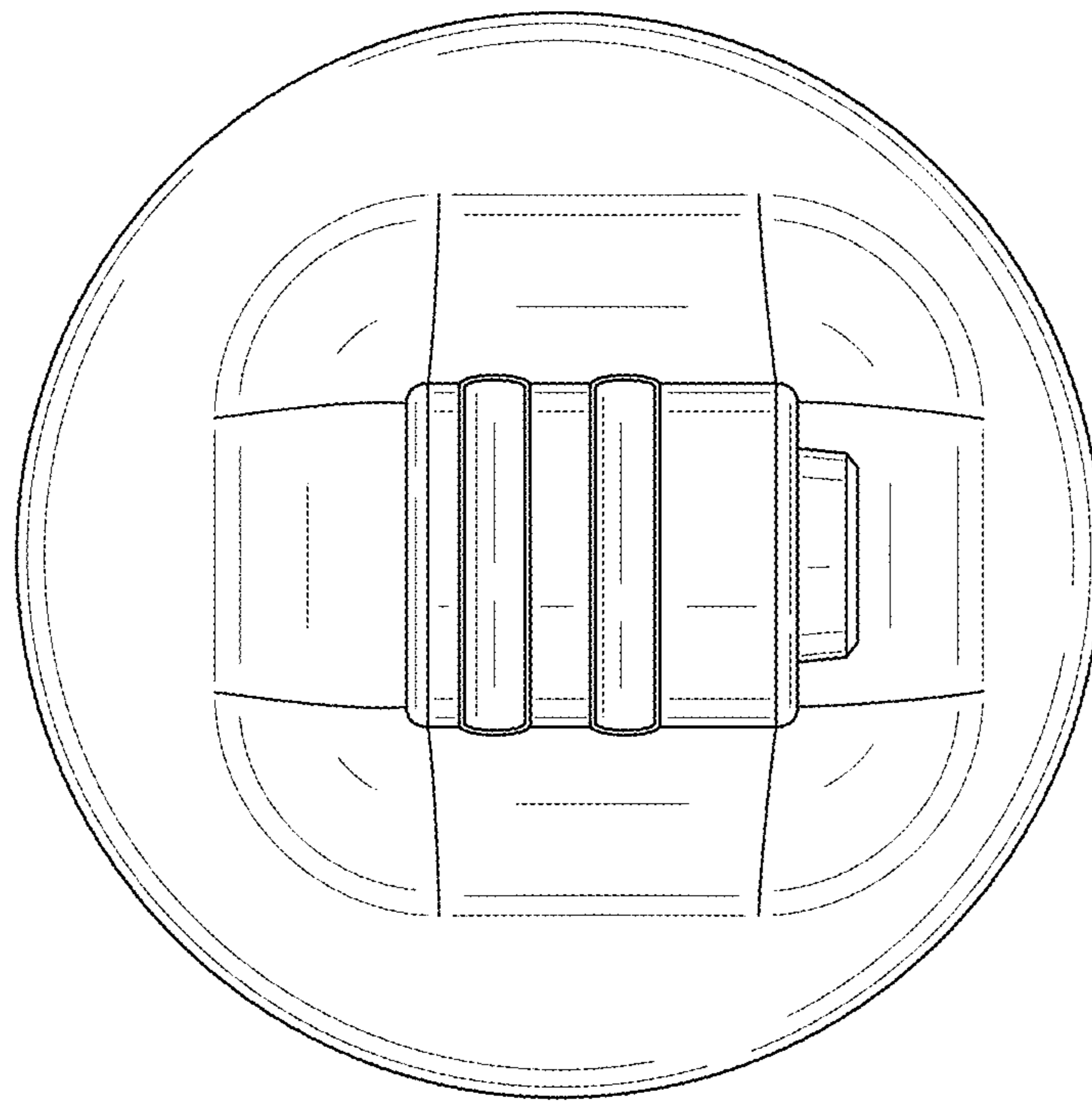


FIG. 17

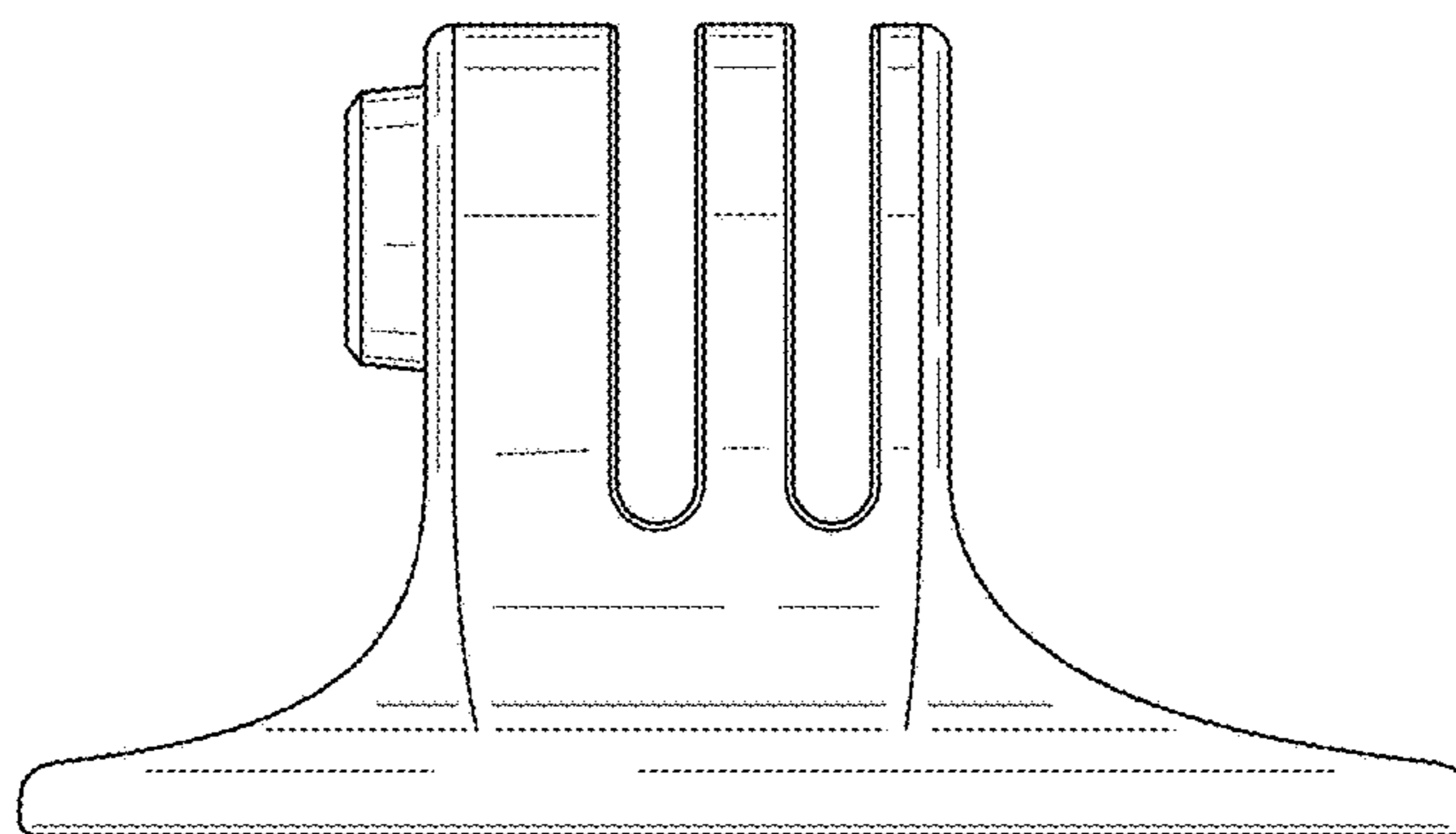


FIG. 18

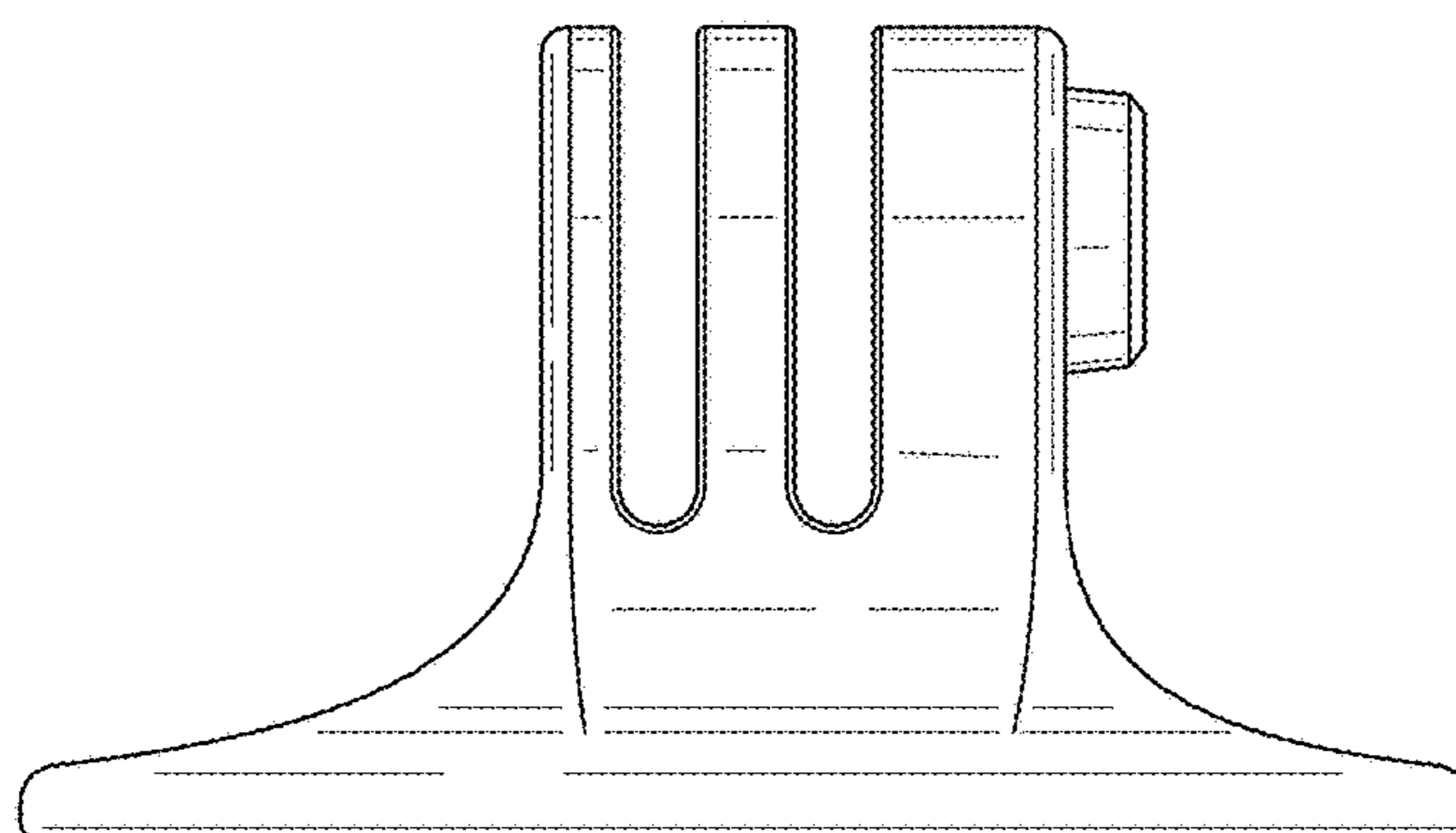


FIG. 19

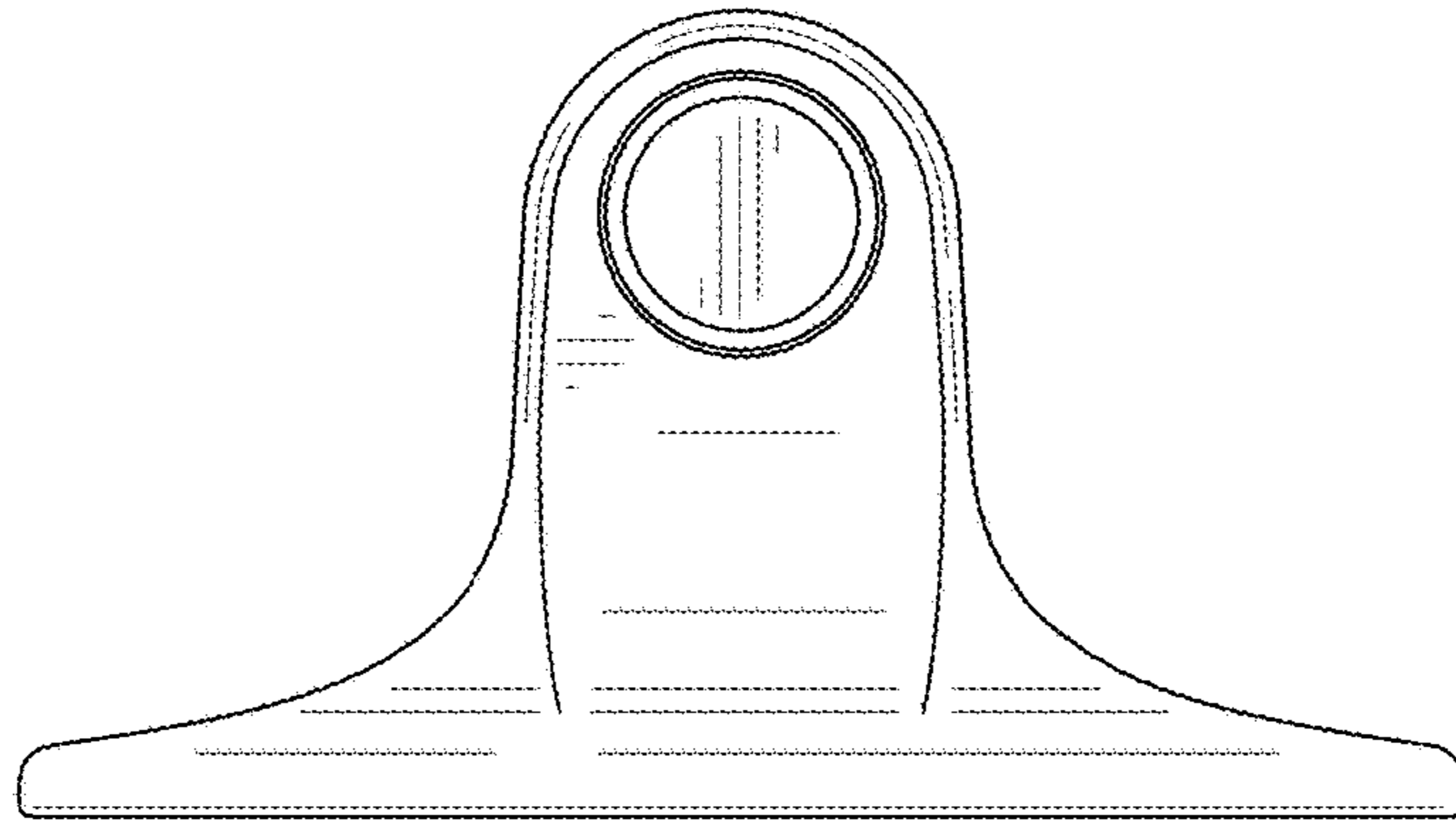


FIG. 20

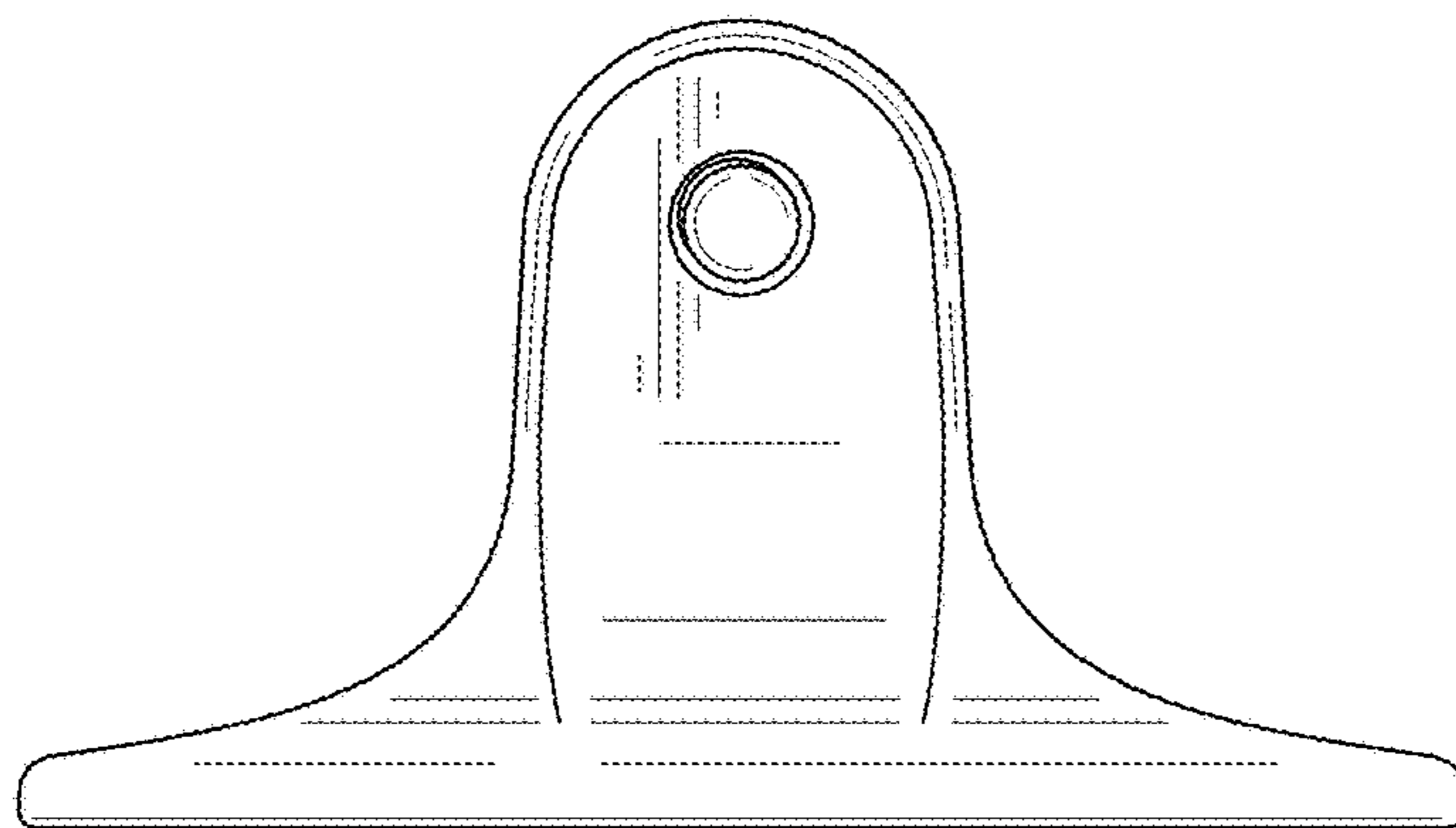


FIG. 21

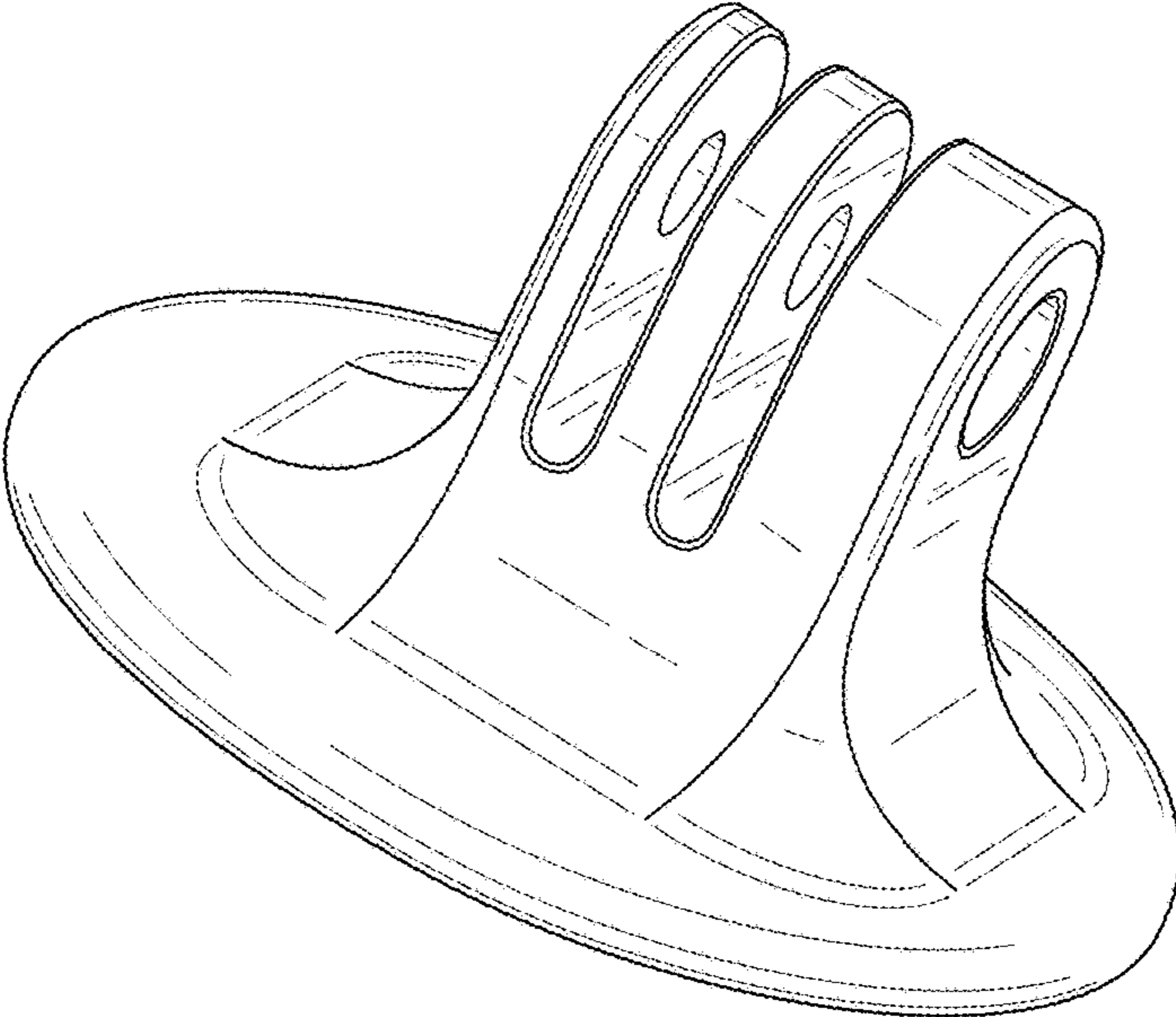


FIG. 22

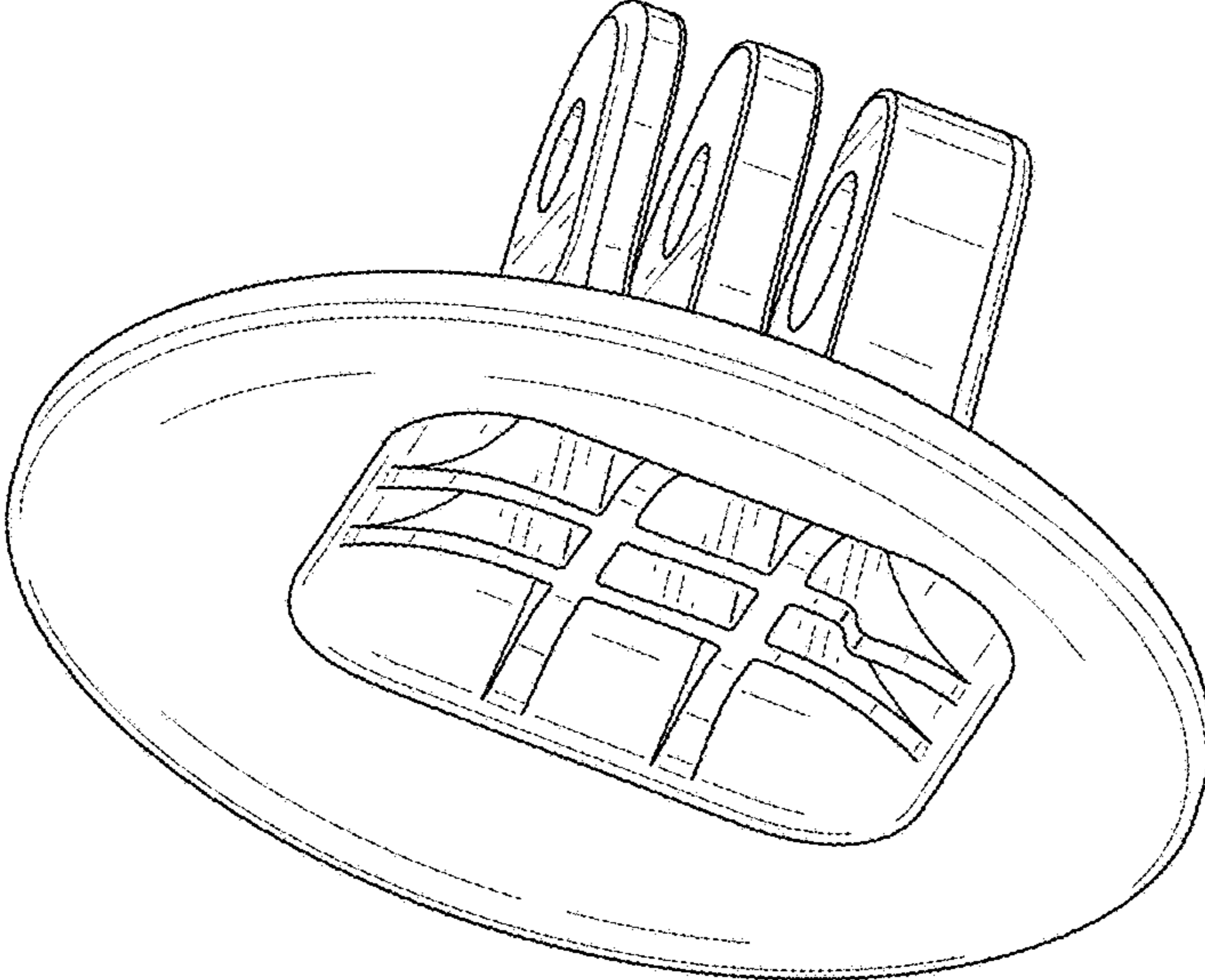


FIG. 23

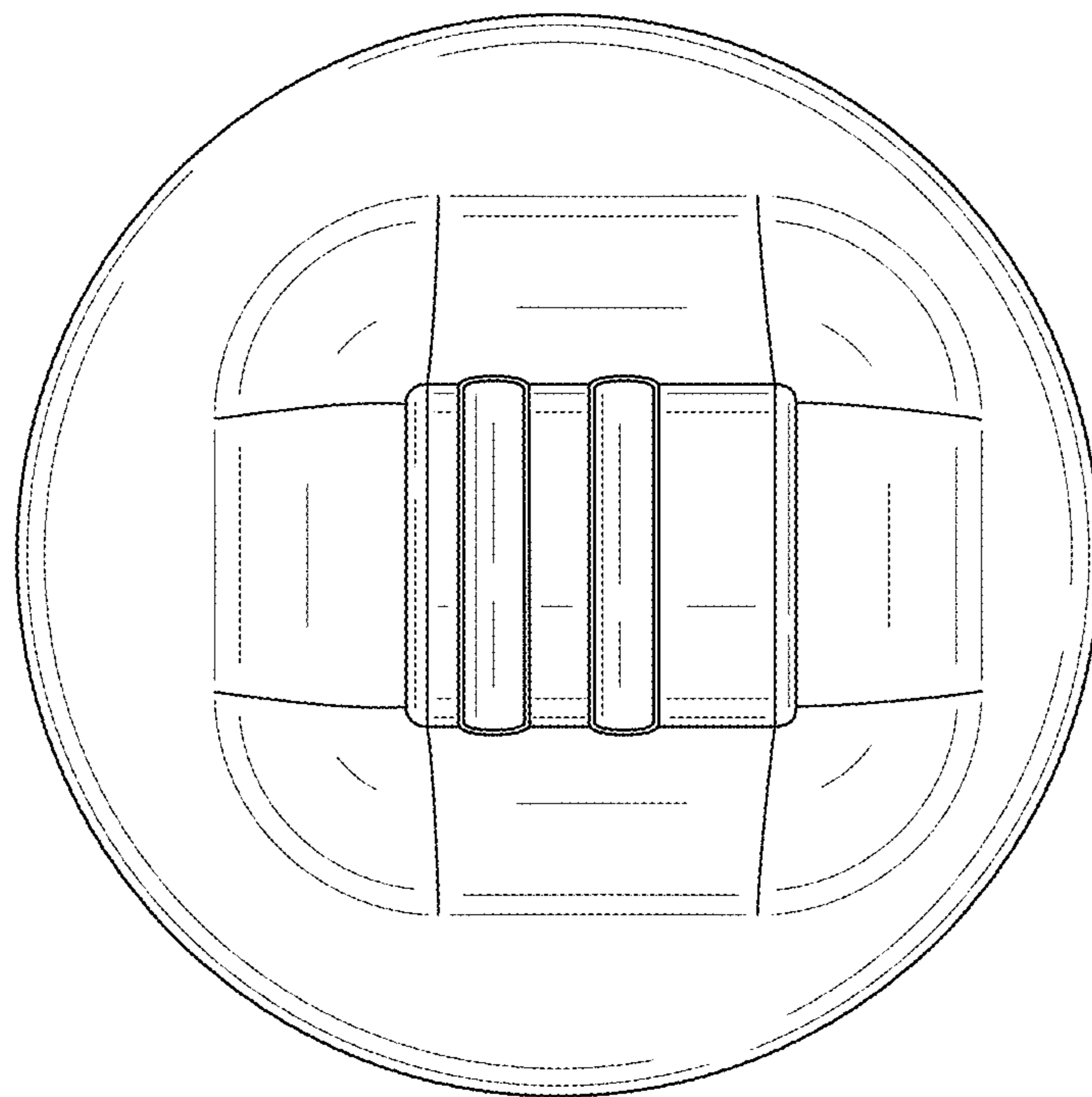


FIG. 24

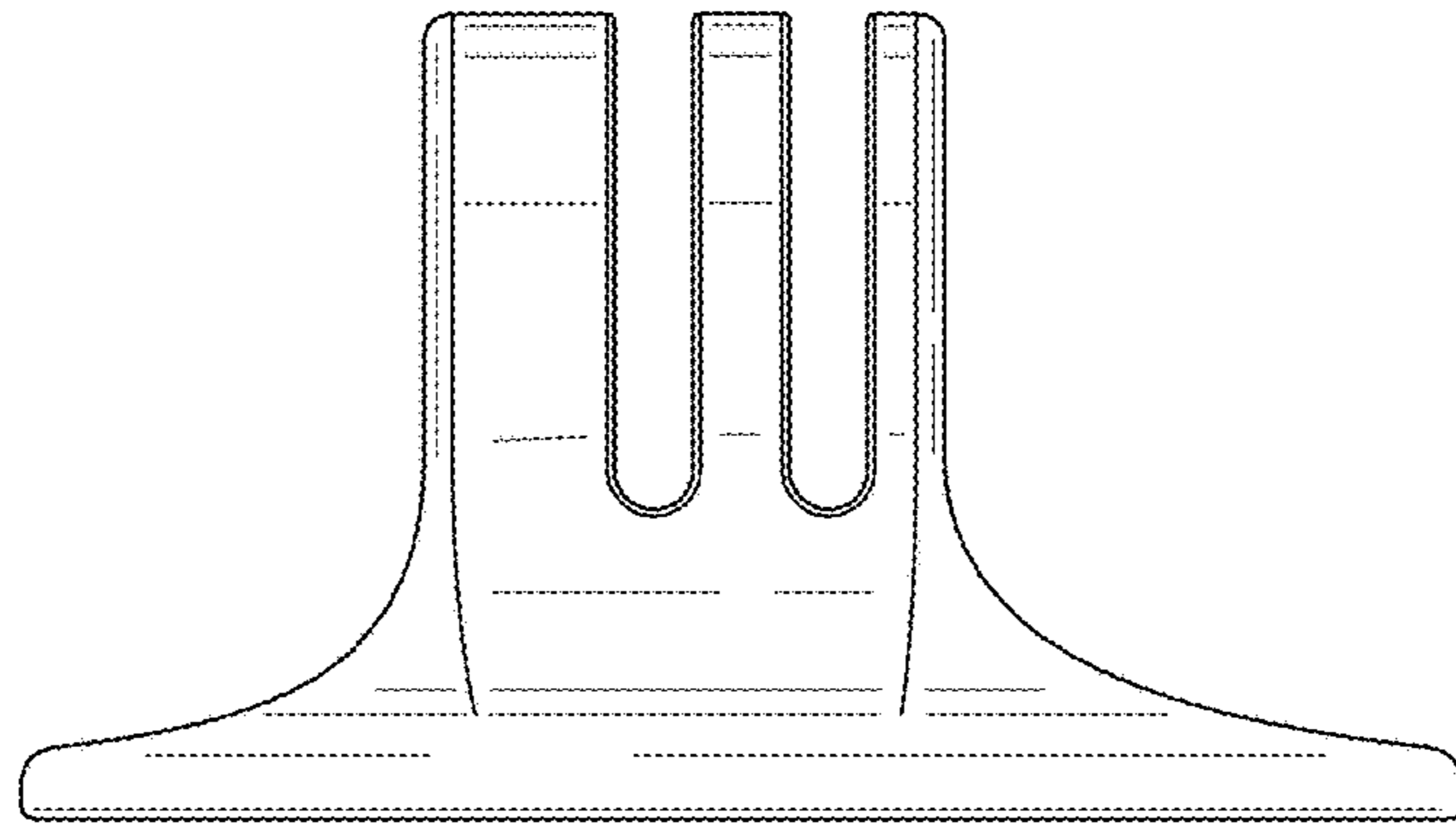


FIG. 25

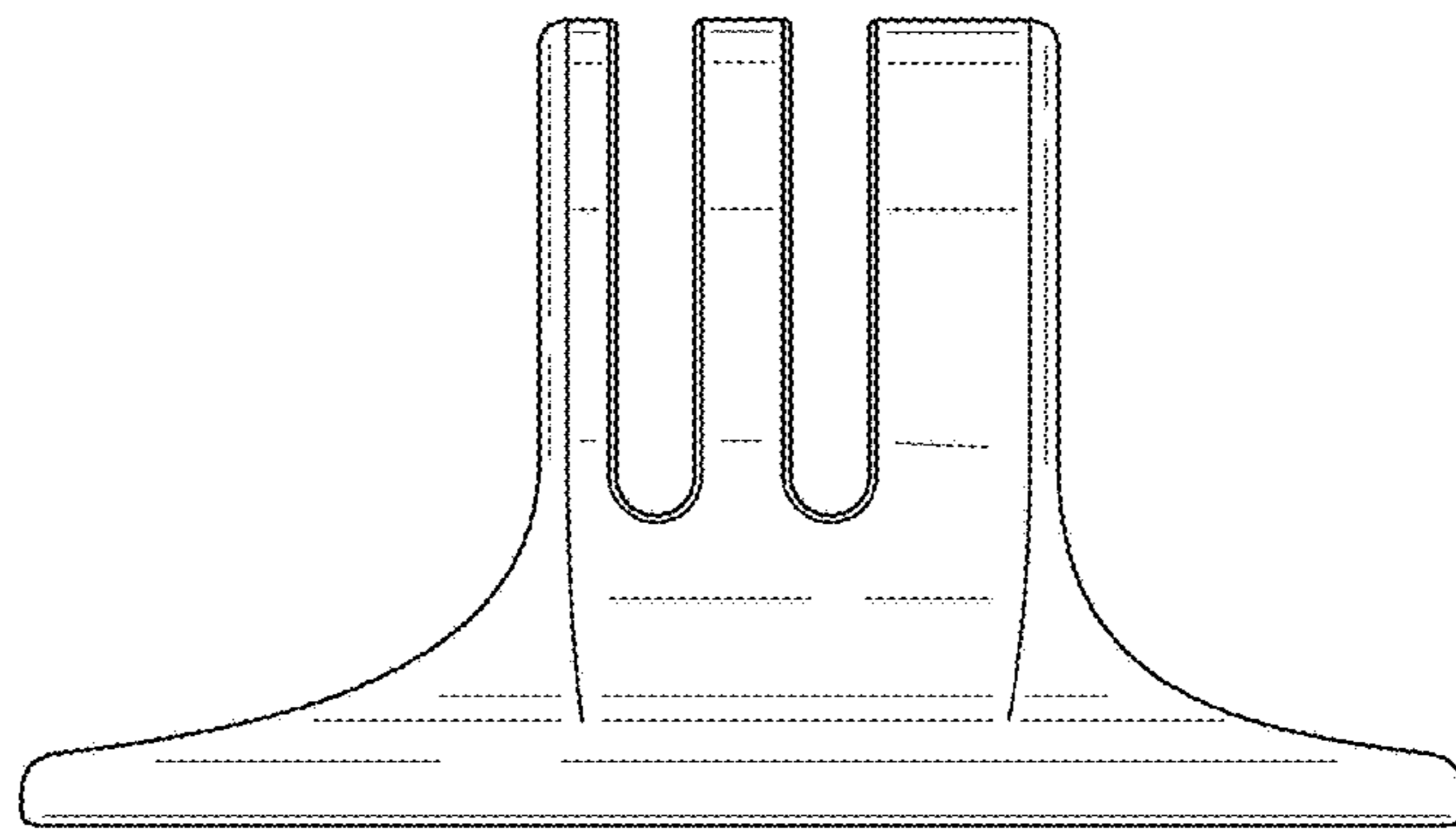


FIG. 26

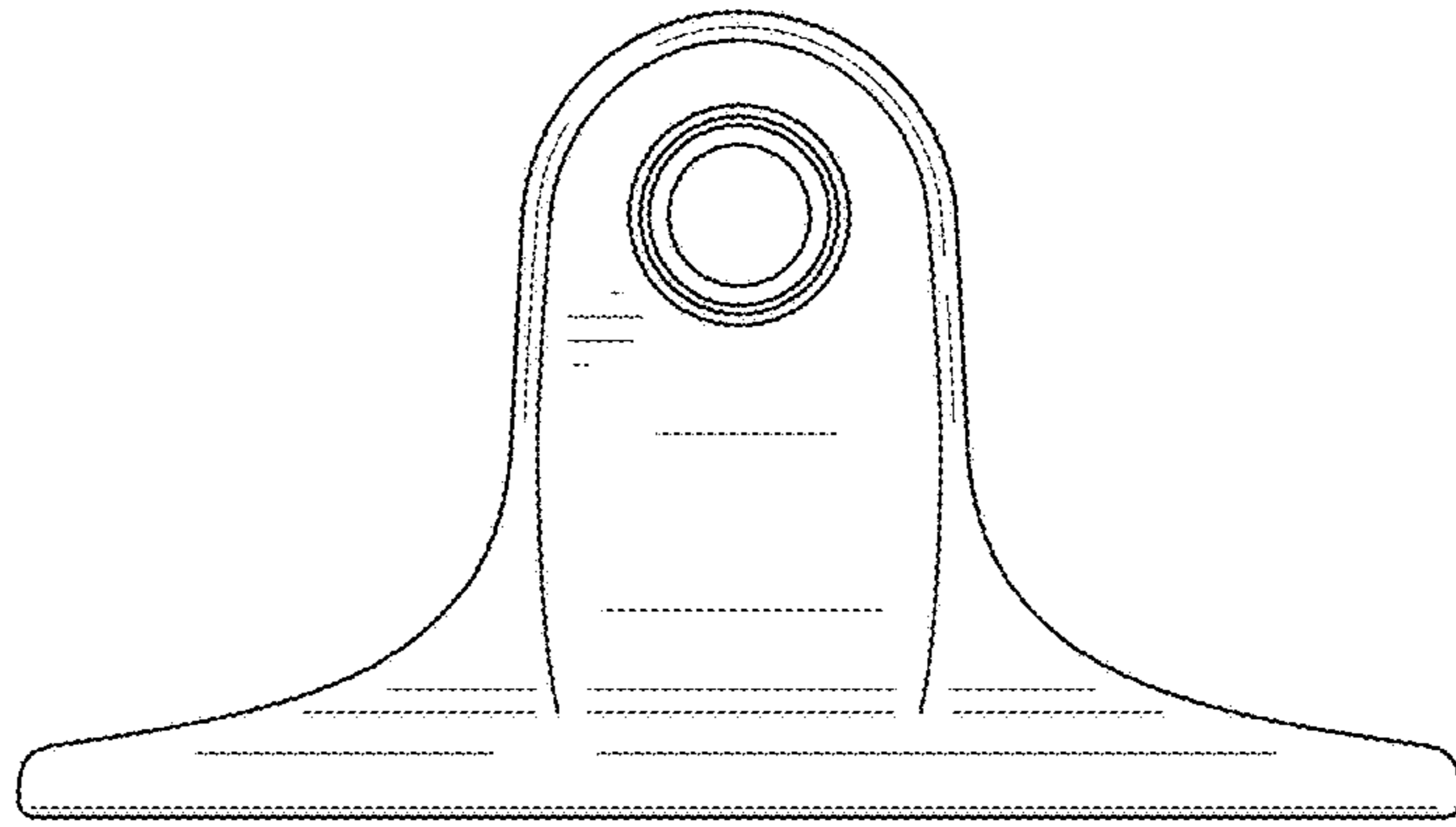


FIG. 27

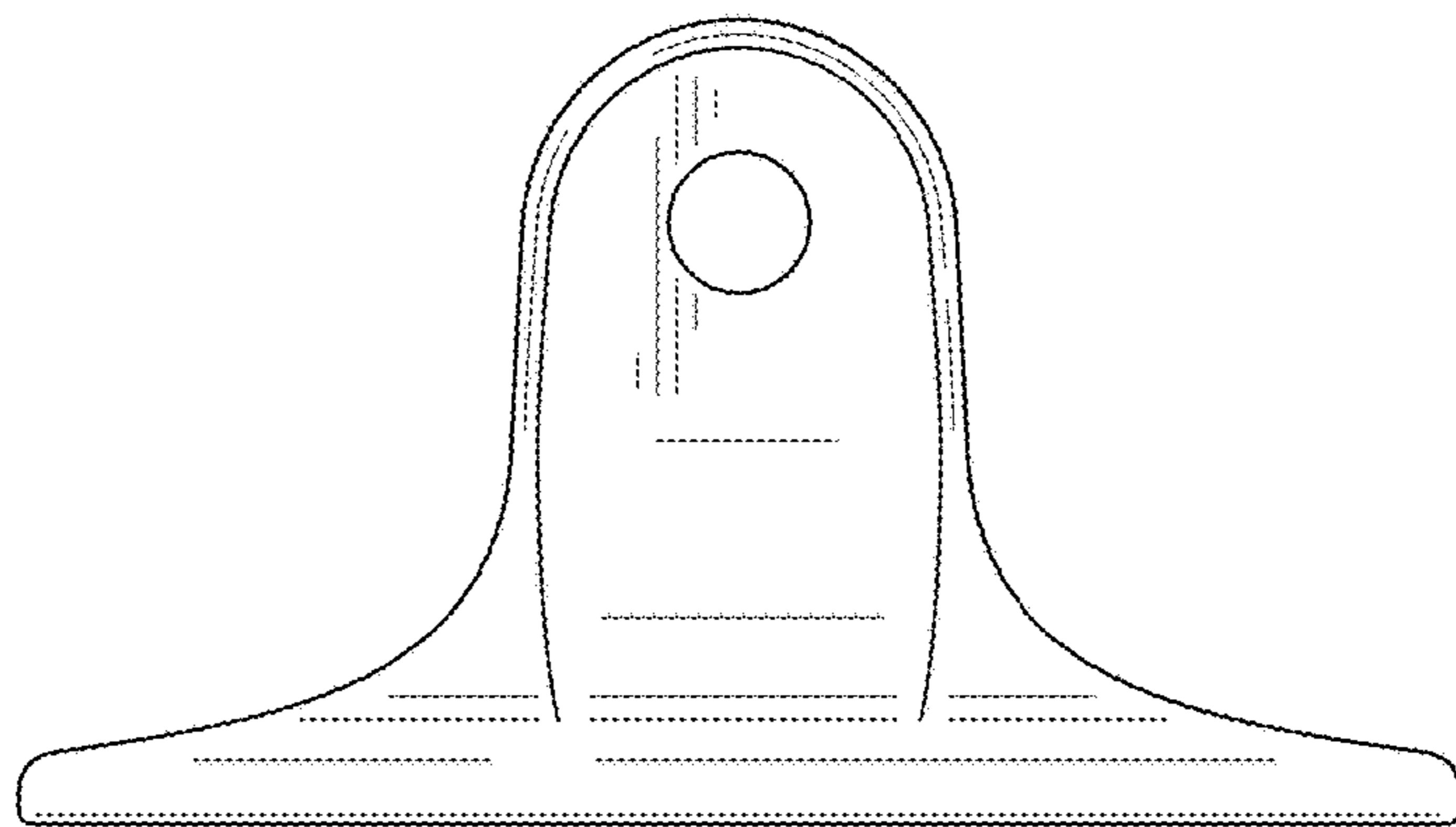


FIG. 28