



US00D833510S

(12) **United States Design Patent** (10) **Patent No.:** **US D833,510 S**
Jo (45) **Date of Patent:** **** Nov. 13, 2018**

(54) **SCREEN FOR PROJECTOR**
(71) Applicant: **Boon-Kyoung Jo**, Seoul (KR)
(72) Inventor: **Boon-Kyoung Jo**, Seoul (KR)
(**) Term: **15 Years**
(21) Appl. No.: **29/611,617**
(22) Filed: **Jul. 24, 2017**
(30) **Foreign Application Priority Data**
Jan. 26, 2017 (KR) 30-2017-0004431
(51) **LOC (11) Cl.** **16-05**
(52) **U.S. Cl.**
USPC **D16/241**
(58) **Field of Classification Search**
USPC D16/219, 237-250; D14/224, 229, 238,
D14/251, 253, 447, 451, 457; D8/354,
D8/355, 363, 373, 382, 383, 394, 395,
D8/396; D20/10-11
CPC A45F 5/00; F16M 11/06-11/10; G02B
7/00-7/002; G03B 17/56; G03B 17/561;
G03B 17/563; G03B 17/565; G03B
17/566; G03B 17/568; H04N
5/2253-5/2254
See application file for complete search history.

8,243,366 B1 * 8/2012 Deutsch G03B 21/585
359/443
8,376,581 B2 * 2/2013 Auld G09F 9/33
340/815.45
D684,209 S * 6/2013 Measom D16/241
D685,837 S * 7/2013 Measom D16/241
D703,258 S * 4/2014 Measom D16/241
D776,631 S * 1/2017 Kim D14/126
D785,071 S * 4/2017 Measom D16/241

OTHER PUBLICATIONS

Thinyou 84 inch 16_9 Projector Scherm met Grommets. [online]
Published Nov. 14, 2017. Retrieved May 11, 2018 from URL:
<https://nl.aliexpress.com/item/Thinyou-84inch-16-9-Projector-Screen-with-Grommets-Finished-Edge-White-Curtain-simple-screen-portable-projection/32710252062.html>.*

* cited by examiner

Primary Examiner — Vy N Koenig
(74) *Attorney, Agent, or Firm* — Jefferson IP Law, LLP

(57) **CLAIM**

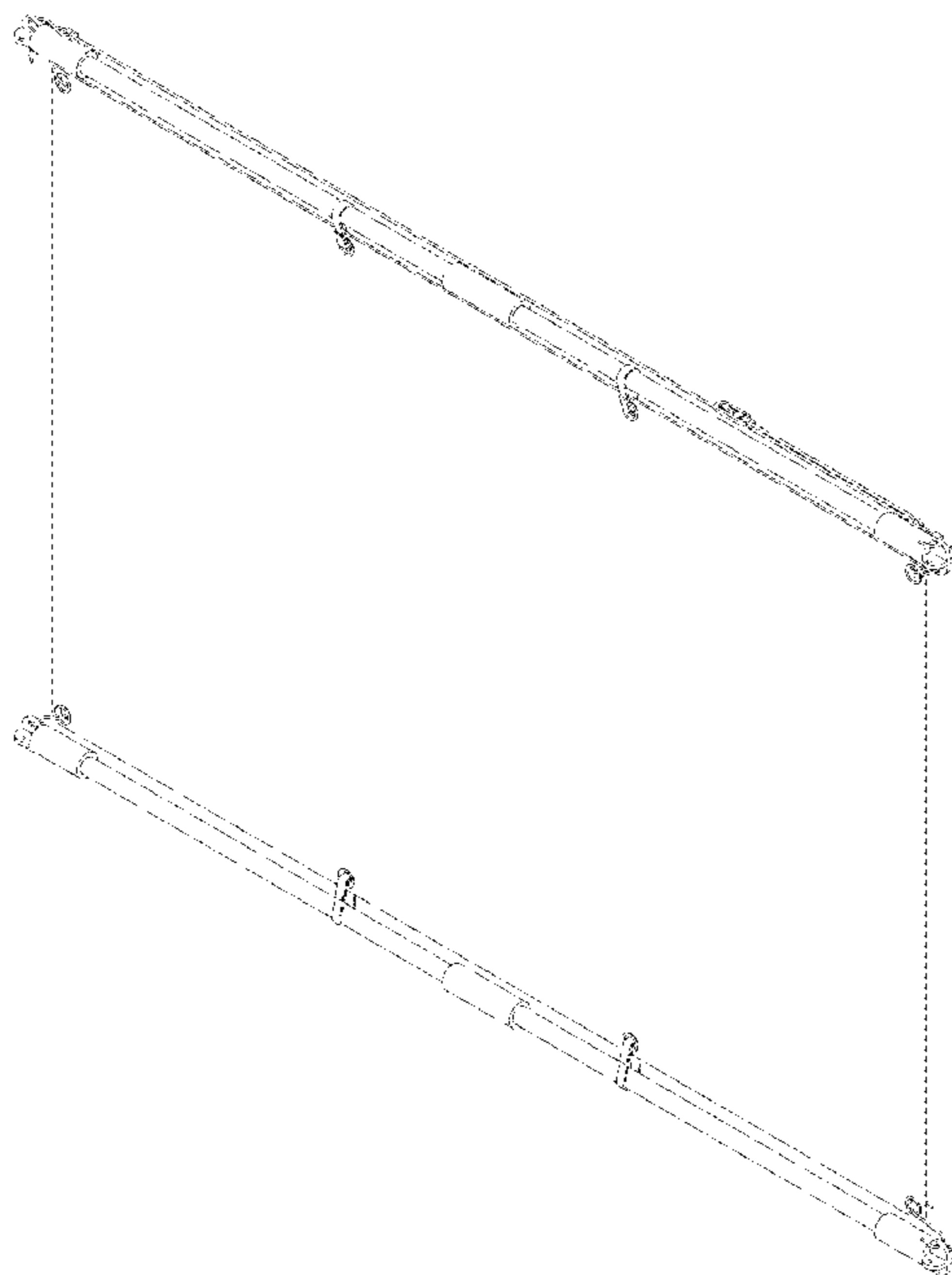
The ornamental design for a screen for projector, as shown and described.

DESCRIPTION

FIG. 1 is a perspective view of a screen for projector, showing a new design;
FIG. 2 is a front elevational view thereof;
FIG. 3 is a rear elevational view thereof;
FIG. 4 is a left side elevational view thereof;
FIG. 5 is a right side elevational view thereof;
FIG. 6 is a top plan view thereof; and,
FIG. 7 is a bottom plan view thereof.

1 Claim, 7 Drawing Sheets

(56) **References Cited**
U.S. PATENT DOCUMENTS
2,611,427 A * 9/1952 Du Mais G03B 21/58
160/24
3,251,264 A * 5/1966 Jacobson G03B 21/60
160/24



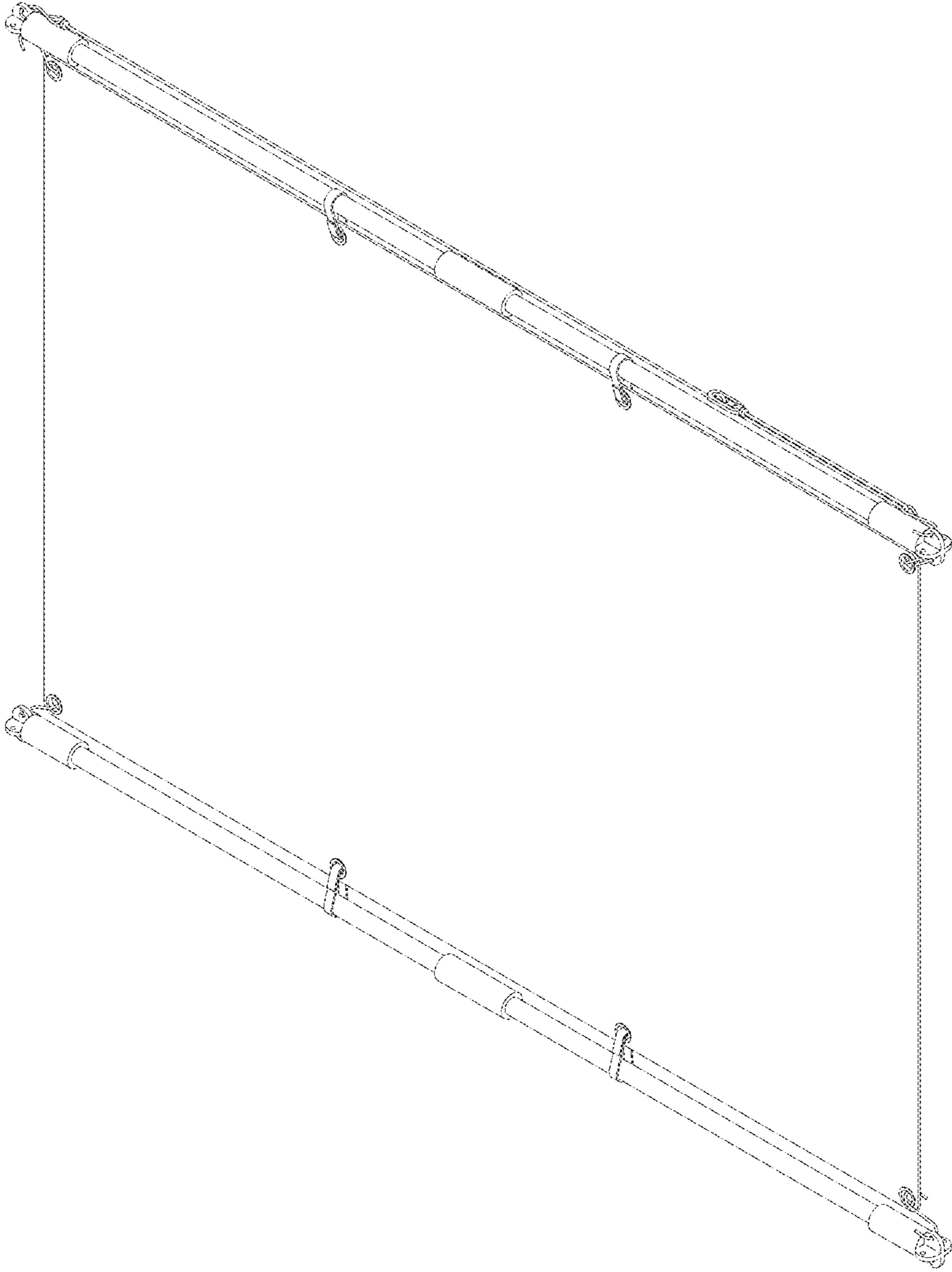


FIG. 1

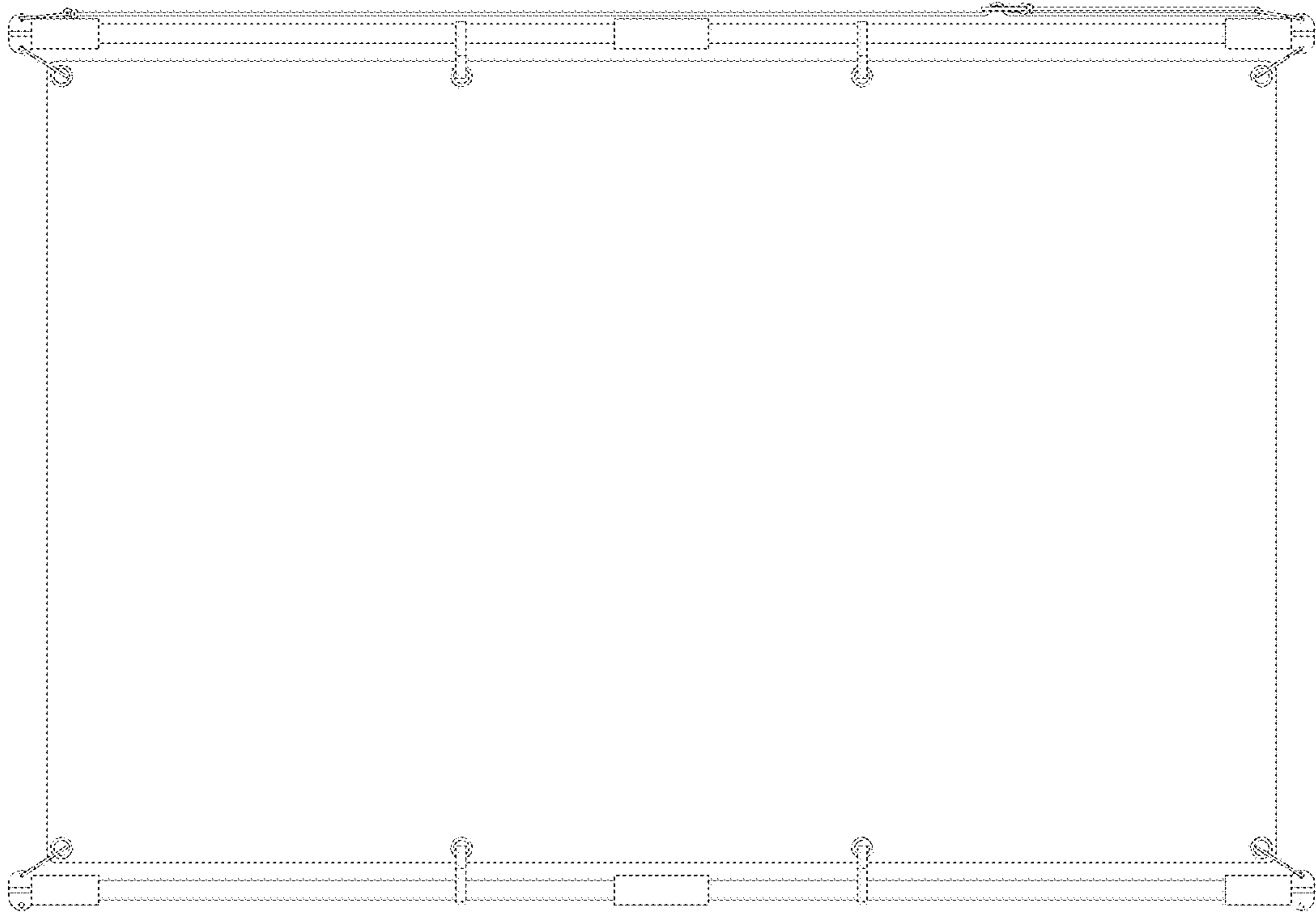


FIG. 2

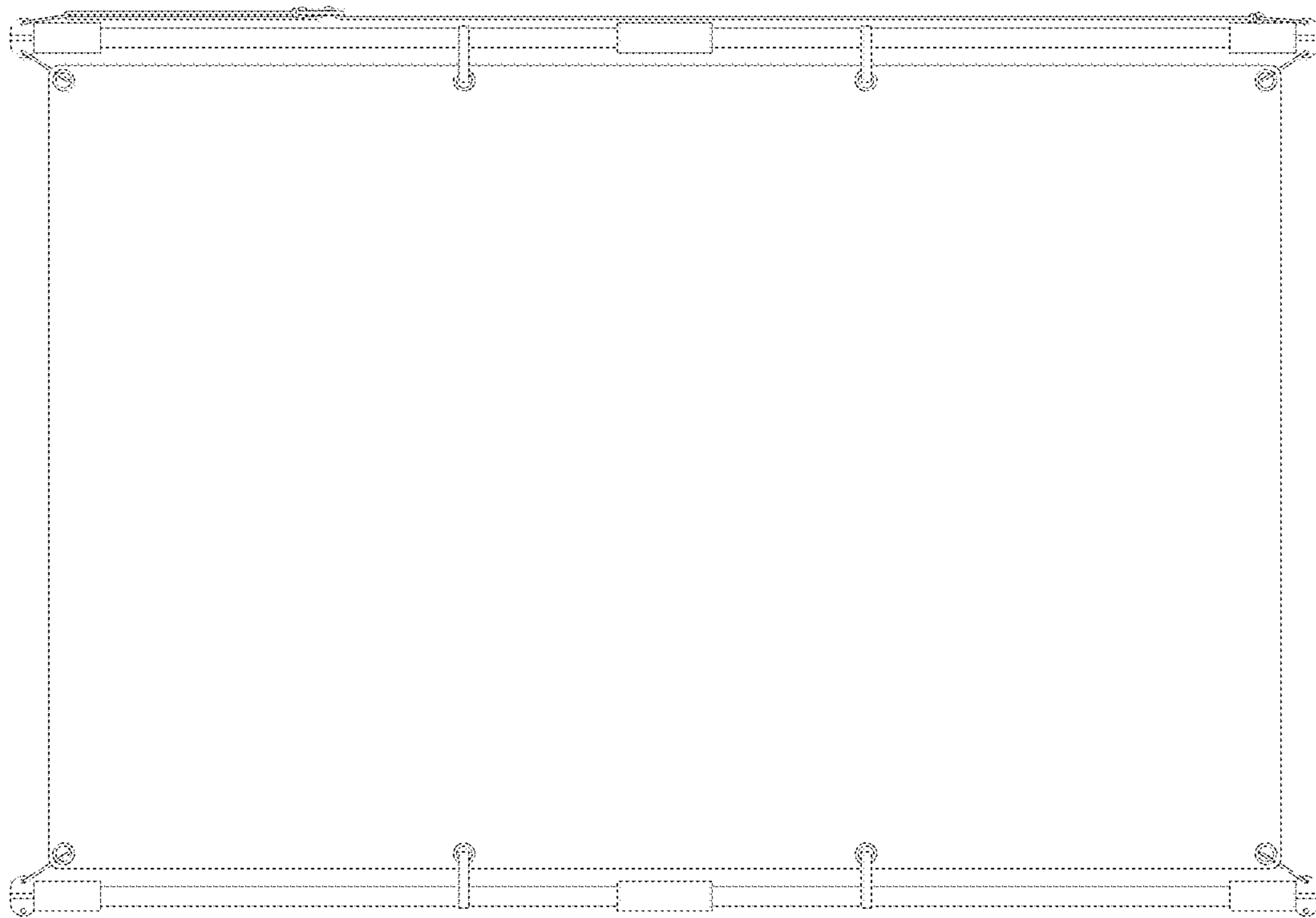


FIG. 3



FIG. 4

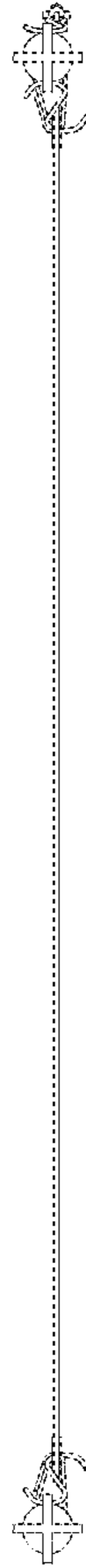


FIG. 5

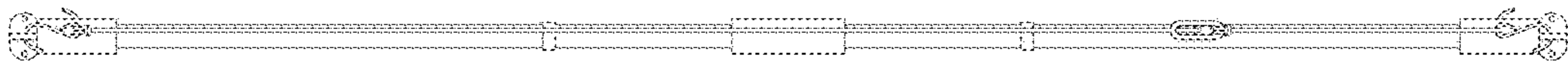


FIG. 6

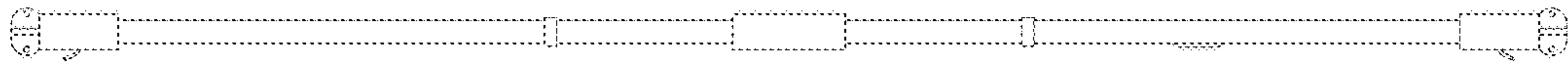


FIG. 7