



US00D833509S

(12) **United States Design Patent**
Scholler et al.

(10) **Patent No.:** **US D833,509 S**

(45) **Date of Patent:** **** Nov. 13, 2018**

(54) **CAMERA ADAPTER**

(71) Applicant: **Tangible Play, Inc.**, Palo Alto, CA
(US)

(72) Inventors: **Jerome Scholler**, San Francisco, CA
(US); **Ariel Zekelman**, Palo Alto, CA
(US); **Andrew Berwald**, Palo Alto, CA
(US); **Mark Solomon**, Palo Alto, CA
(US)

(73) Assignee: **Tangible Play, Inc.**, Palo Alto, CA
(US)

(**) Term: **15 Years**

(21) Appl. No.: **29/615,735**

(22) Filed: **Aug. 30, 2017**

(51) **LOC (11) Cl.** **16-05**

(52) **U.S. Cl.**
USPC **D16/237**

(58) **Field of Classification Search**
USPC D16/134, 136, 200, 213–219, 235,
D16/237–245, 250; D14/203.4, 209, 217,
D14/218, 224, 250–253, 345, 440, 449;
D8/349, 363, 373, 382, 394; 348/143,
348/148, 151, 373–376
CPC G03B 17/02–17/04; G03B 17/14; G03B
17/56; G03B 17/561–17/568; G03B
21/20–21/2066; G03B 15/041–15/0436;
G02B 7/02–7/04; G02B 7/14; H04N
5/2251–5/2554; F16M 11/02; F16M
11/20; F16M 11/40
See application file for complete search history.

(56) **References Cited**

U.S. PATENT DOCUMENTS

D310,185 S * 8/1990 Tick D11/182
D365,588 S * 12/1995 Fernandez D16/242

D476,555 S * 7/2003 Niwa D6/328
D535,869 S * 1/2007 Brunsteter D8/382
D545,183 S * 6/2007 French D8/394
D563,452 S * 3/2008 Tan D16/237
7,777,899 B1 * 8/2010 Hildreth G01B 11/03
356/614
D658,977 S * 5/2012 Riddell D8/394
8,274,535 B2 * 9/2012 Hildreth G06T 7/74
345/676
D682,463 S * 5/2013 Bernard D26/140
D716,362 S * 10/2014 Generotti D16/237
D726,804 S * 4/2015 Voss D16/237
9,158,389 B1 * 10/2015 Sharma H04N 5/2252

* cited by examiner

Primary Examiner — Ramzi S Almatrahi

(74) *Attorney, Agent, or Firm* — Patent Law Works LLP

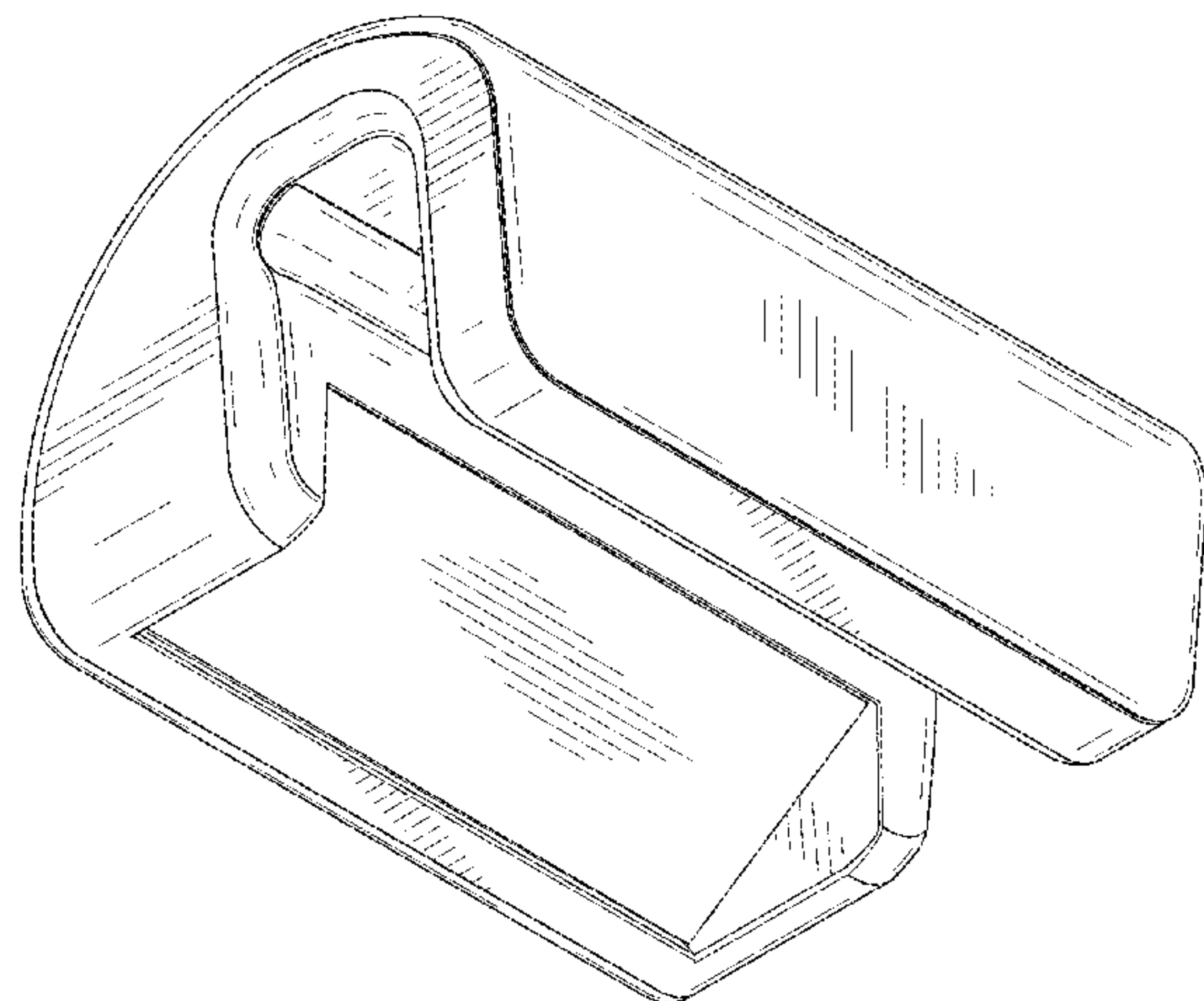
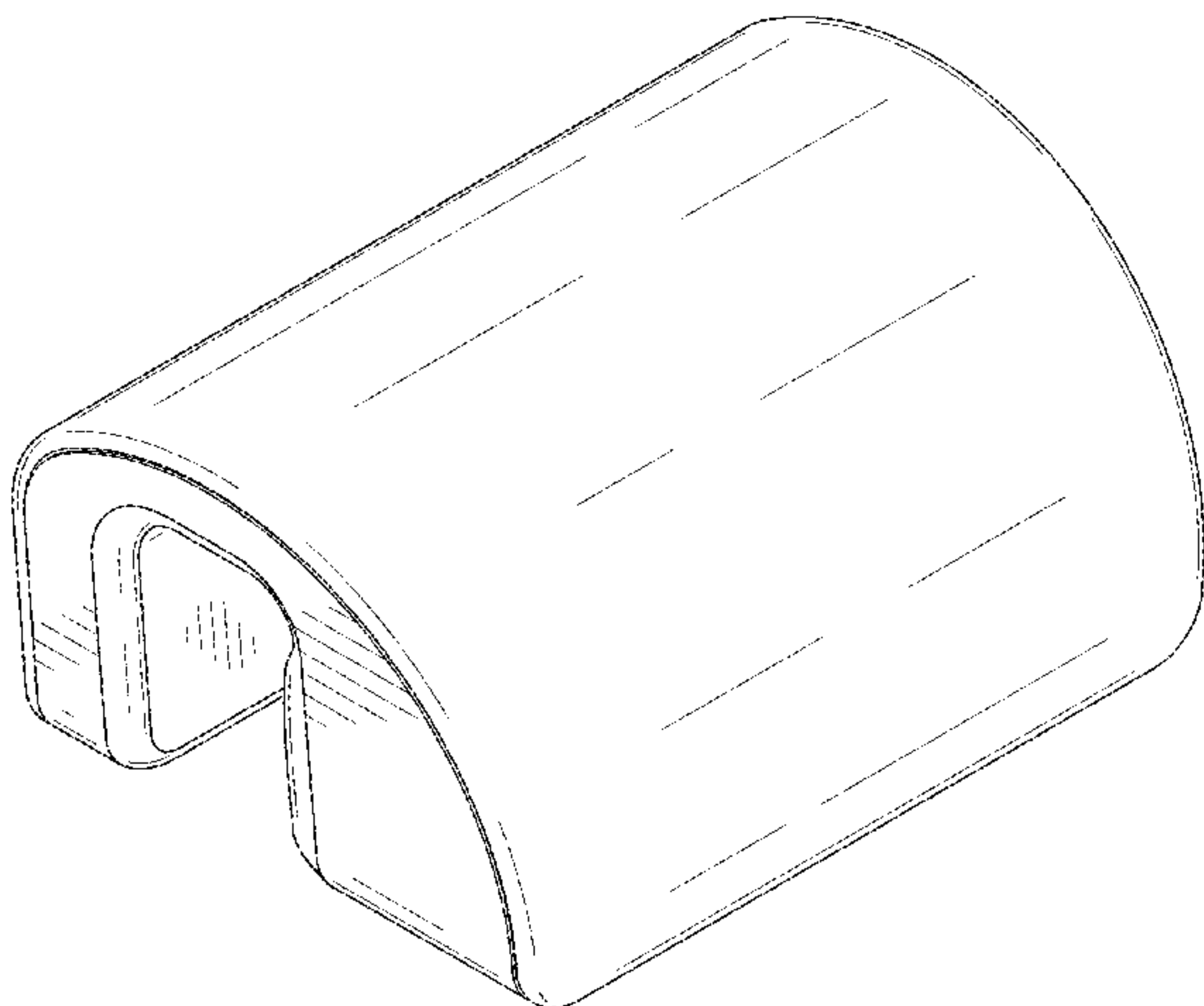
(57) **CLAIM**

The ornamental design for a camera adapter, as shown and described.

DESCRIPTION

FIG. 1 is a top, front and left side perspective view of a camera adapter showing our new design;
FIG. 2 is a bottom, rear and right side perspective view thereof;
FIG. 3 is a bottom, front and right side perspective view thereof;
FIG. 4 is a rear and left side perspective view thereof;
FIG. 5 is a top plan view thereof;
FIG. 6 is a bottom plan view thereof;
FIG. 7 is a left side elevation view thereof, the right side elevation view being a mirror image thereof;
FIG. 8 is a front elevation view thereof; and,
FIG. 9 is a rear elevation view thereof.
The broken lines depict portions of the camera adapter in which the design is embodied that form no part of the claimed design.

1 Claim, 9 Drawing Sheets



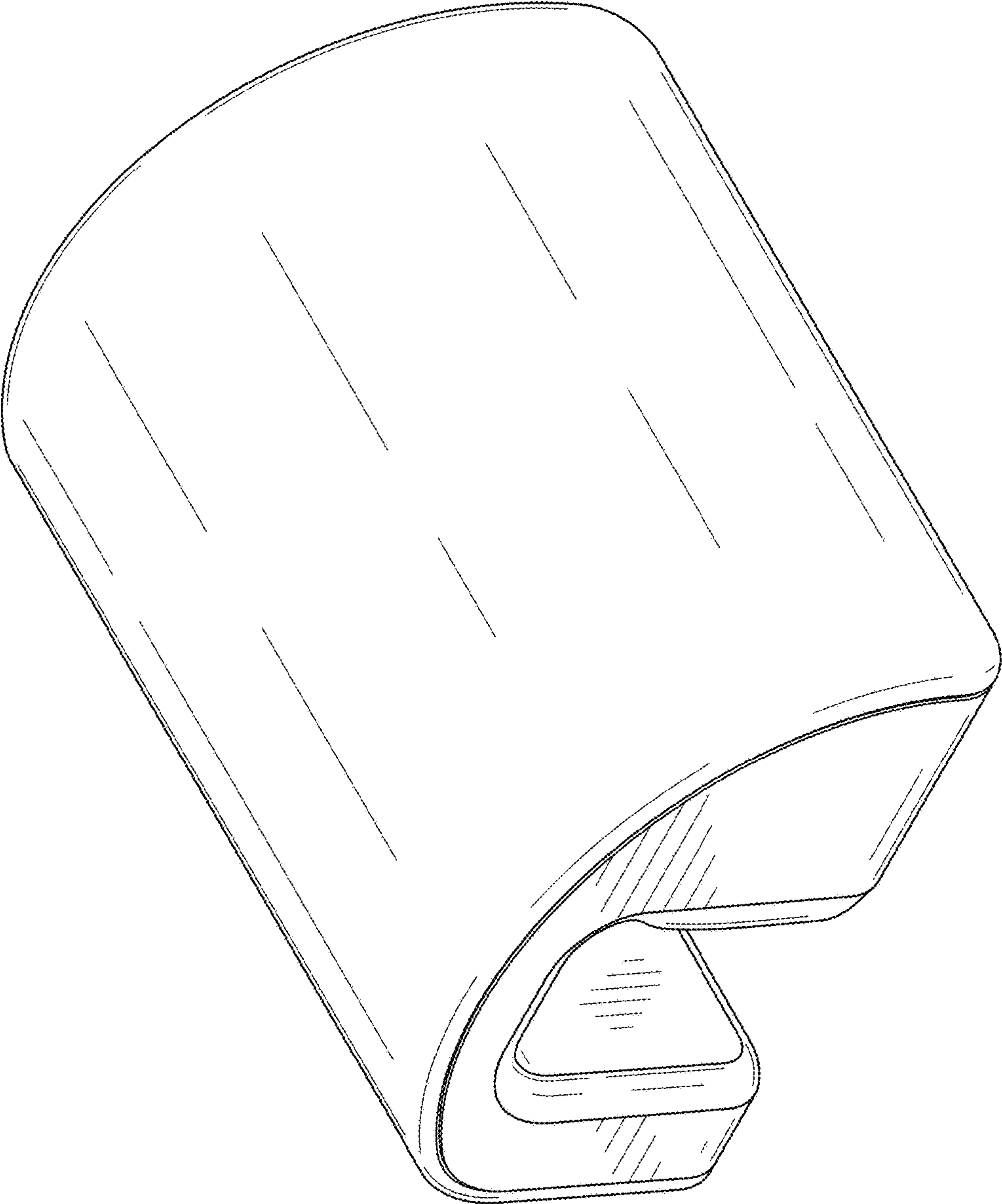


FIG. 1

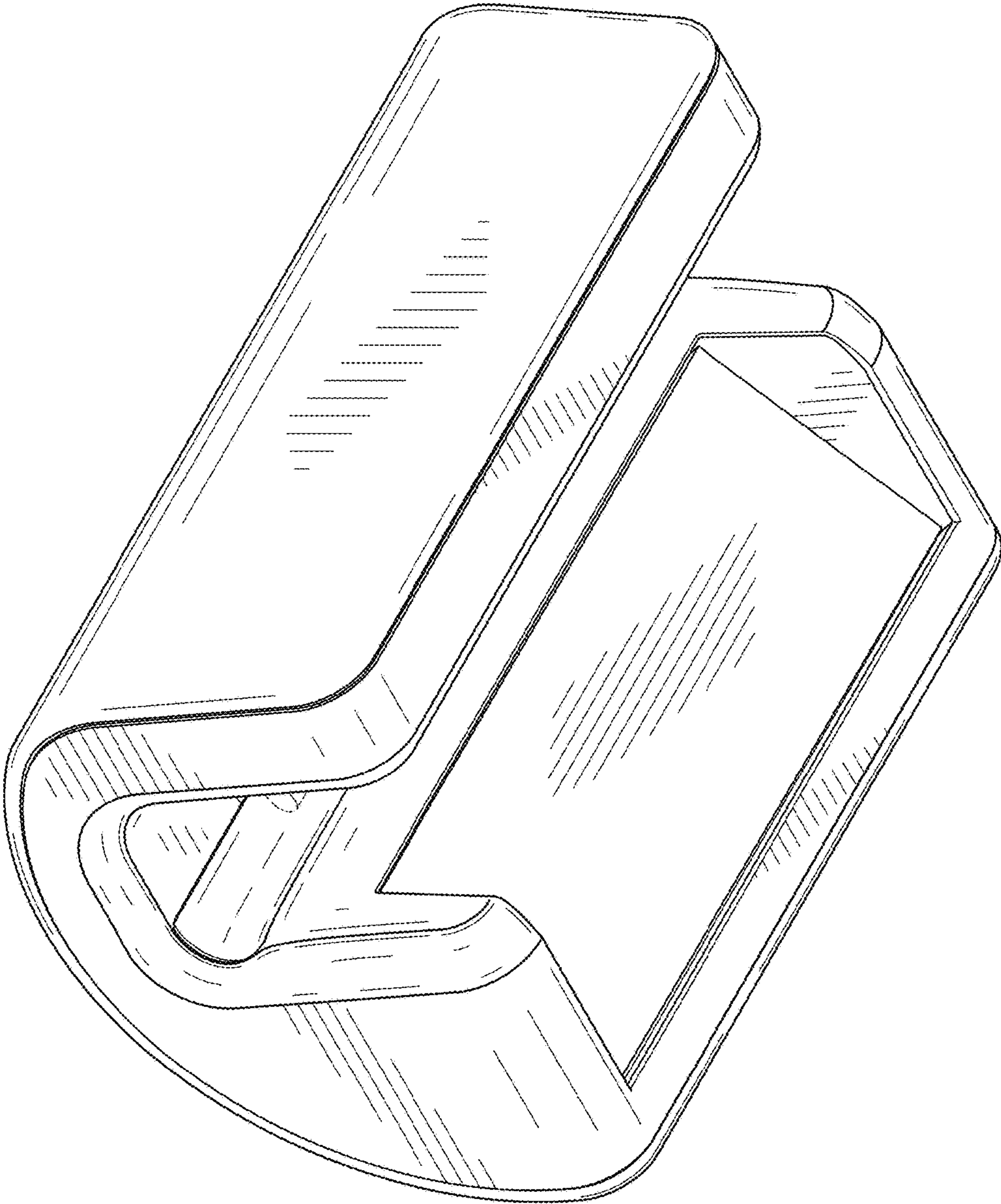


FIG. 2

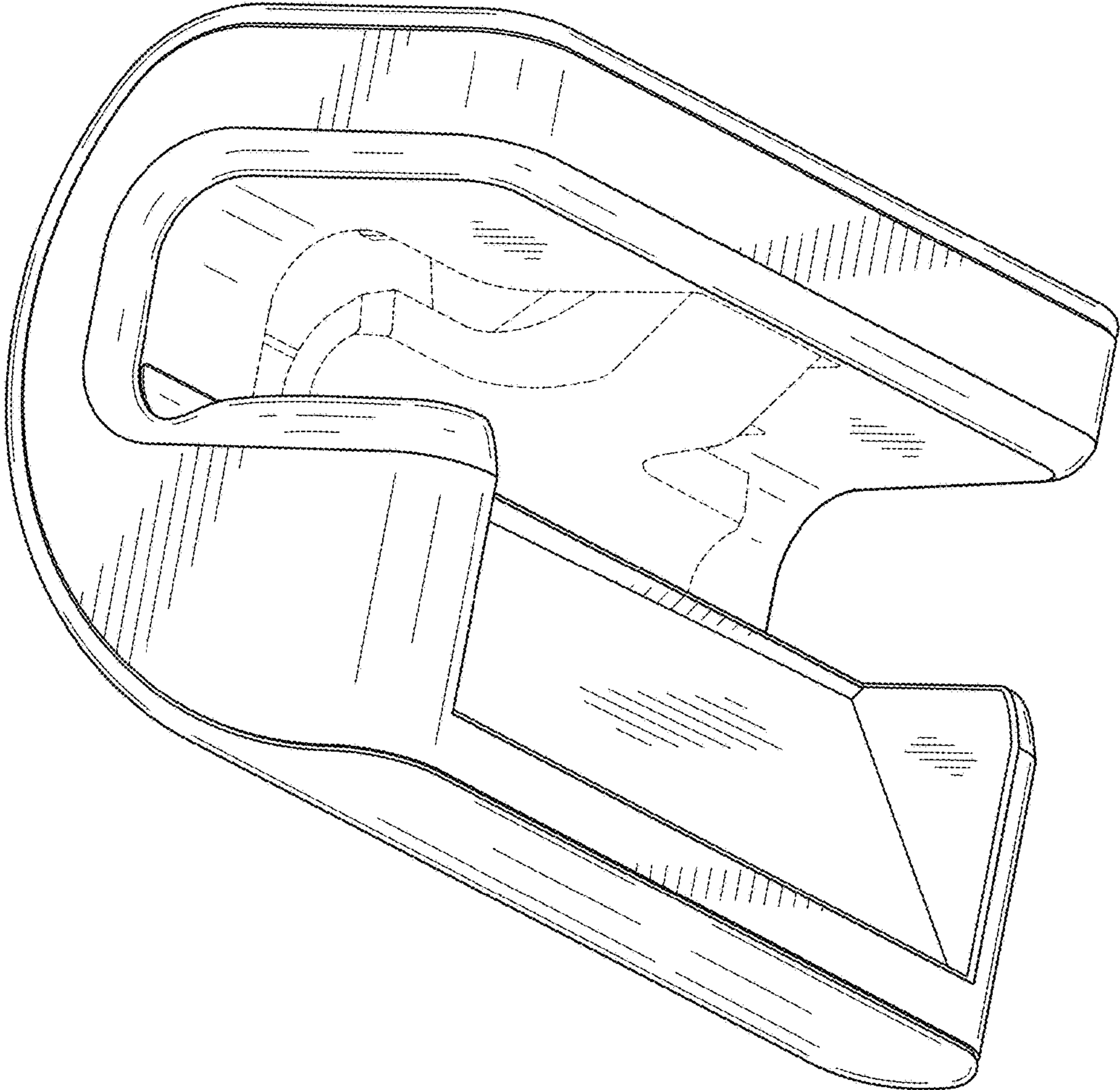


FIG. 3

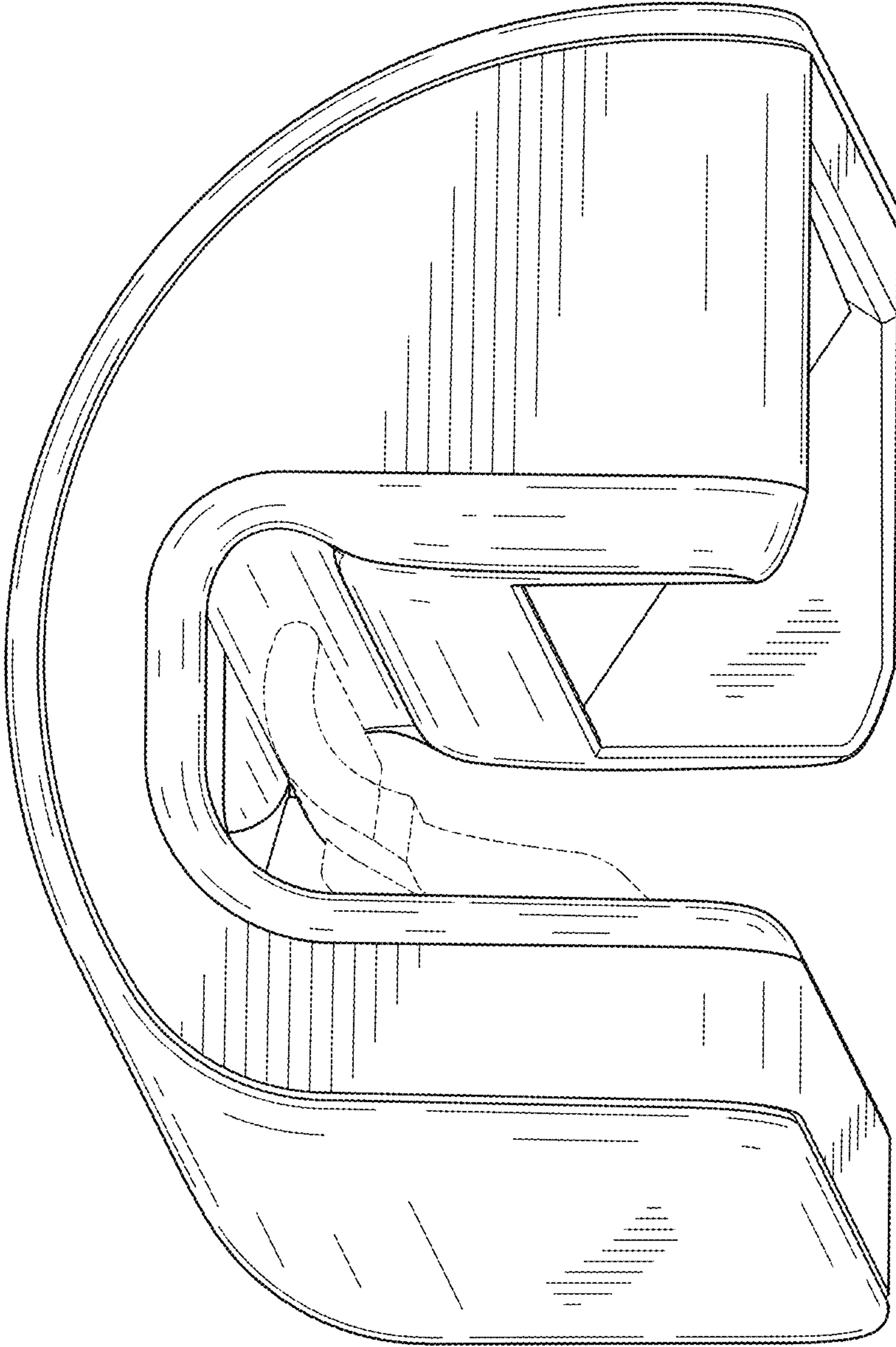


FIG. 4

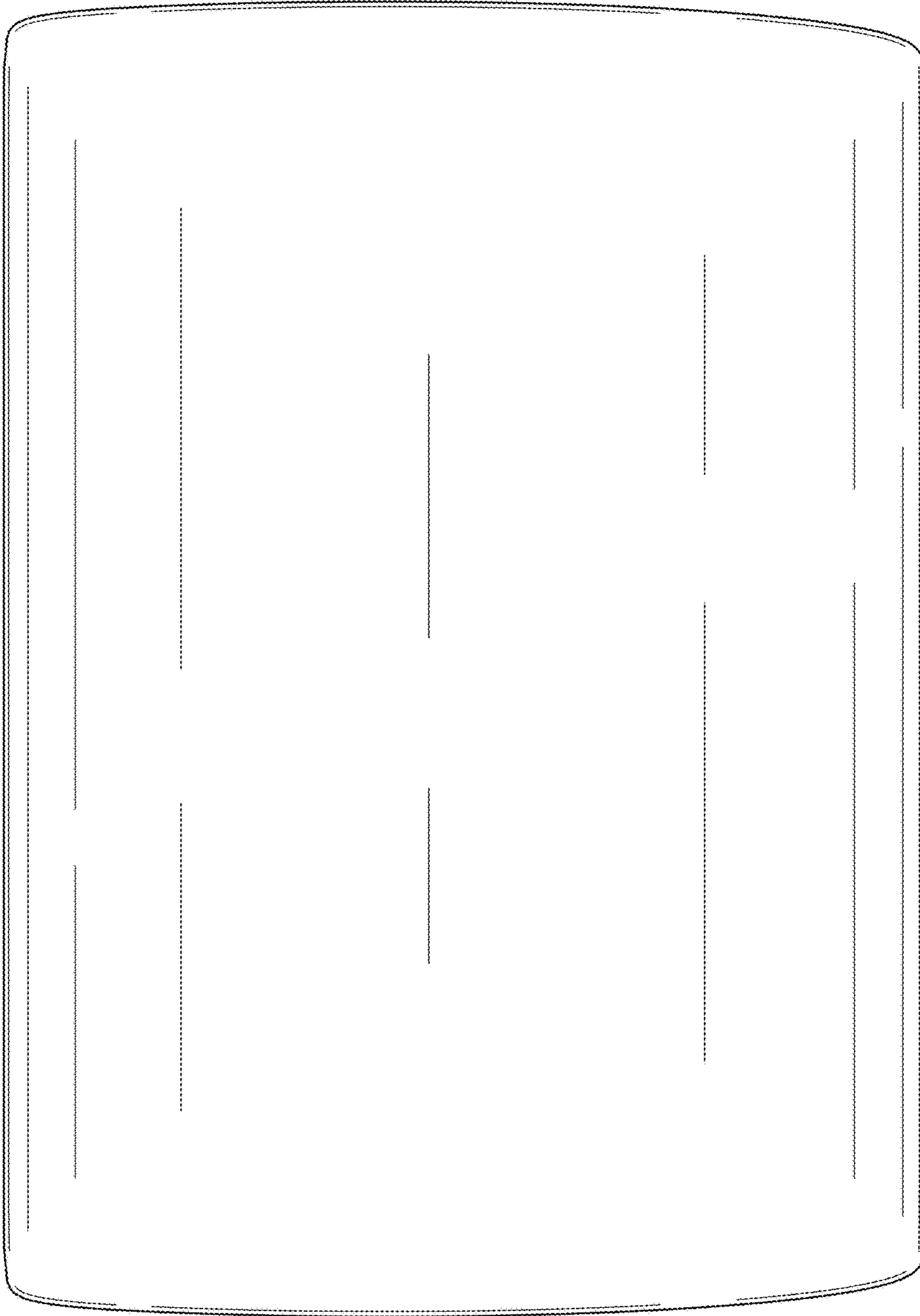


FIG. 5

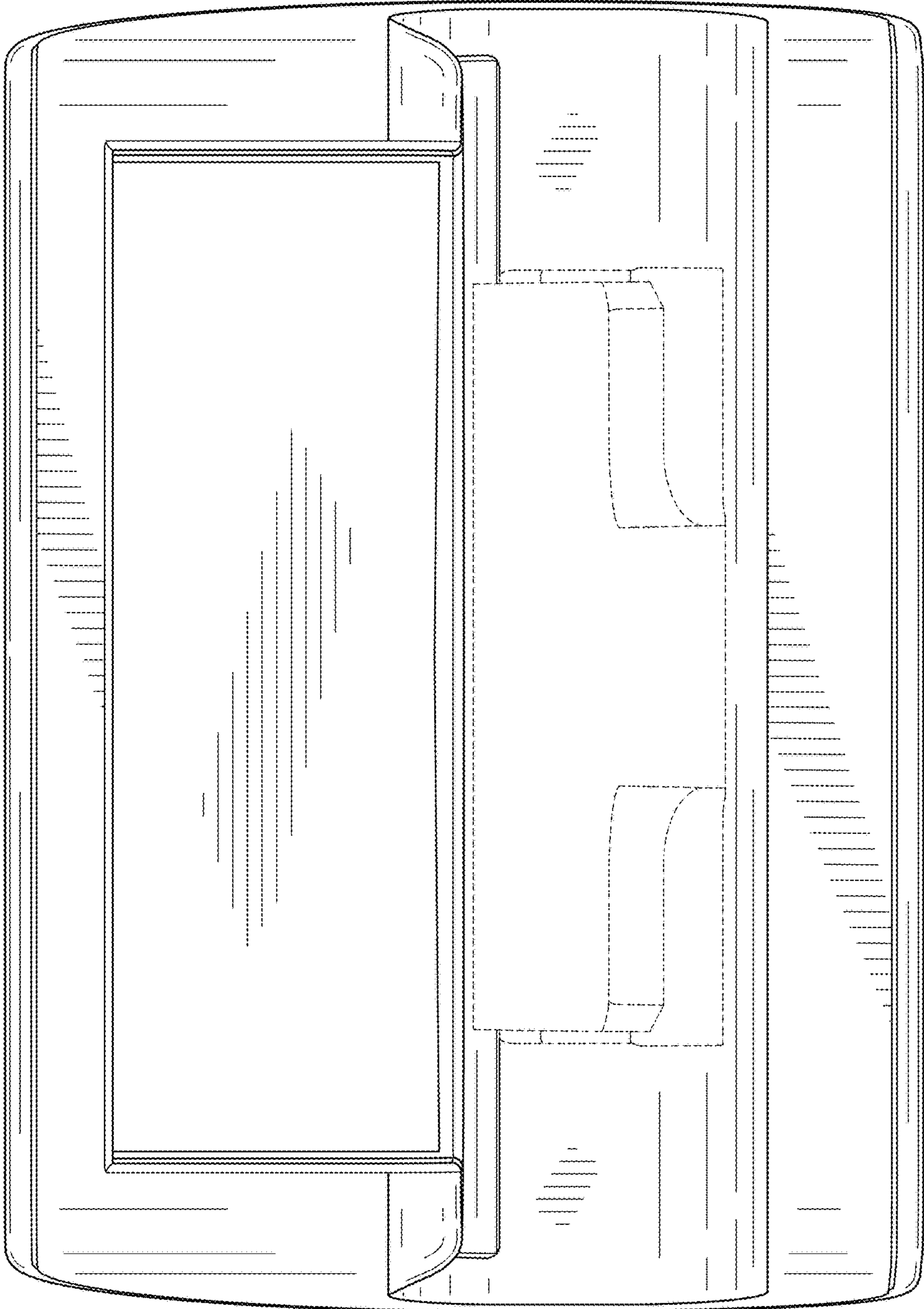


FIG. 6

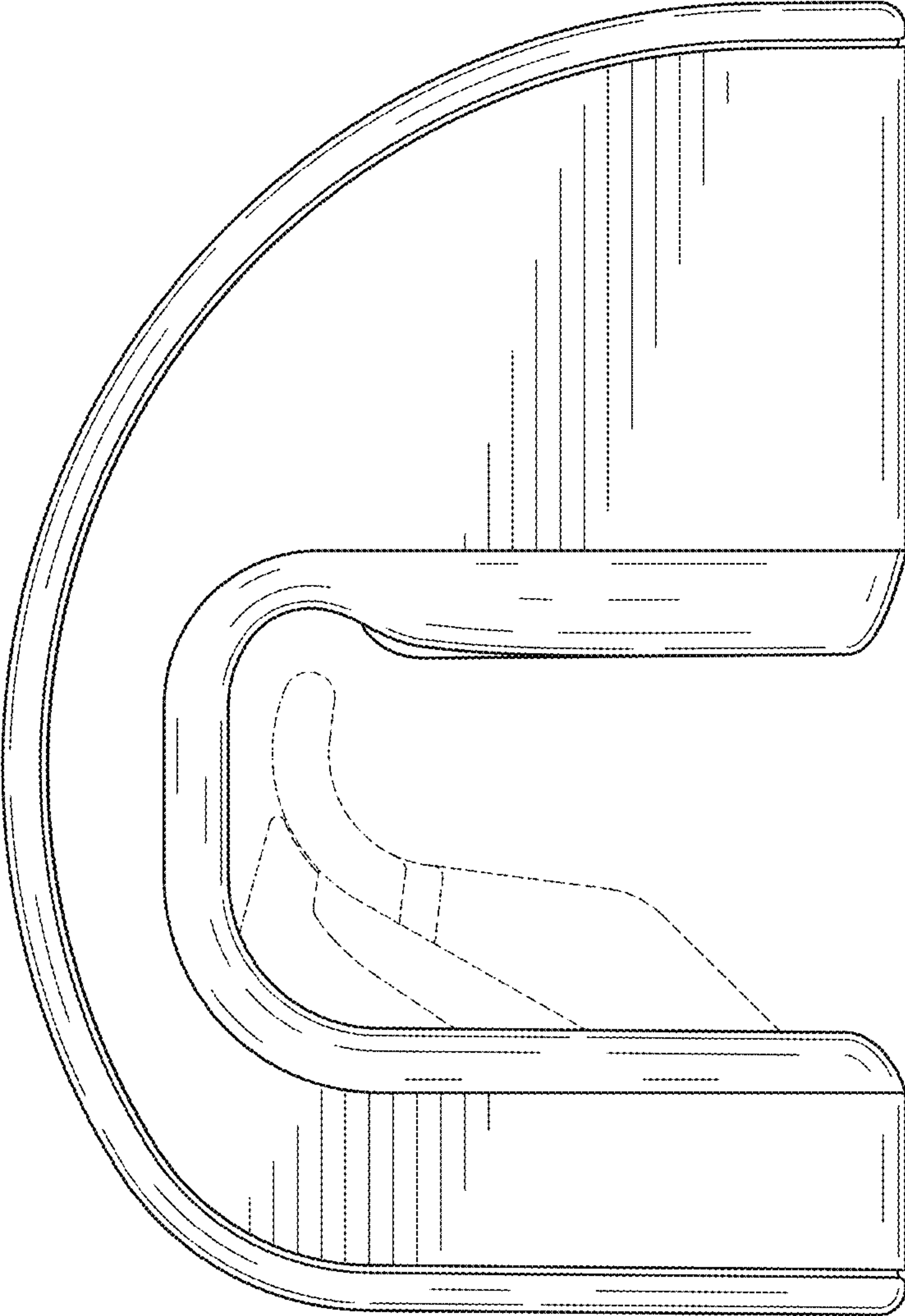


FIG. 7

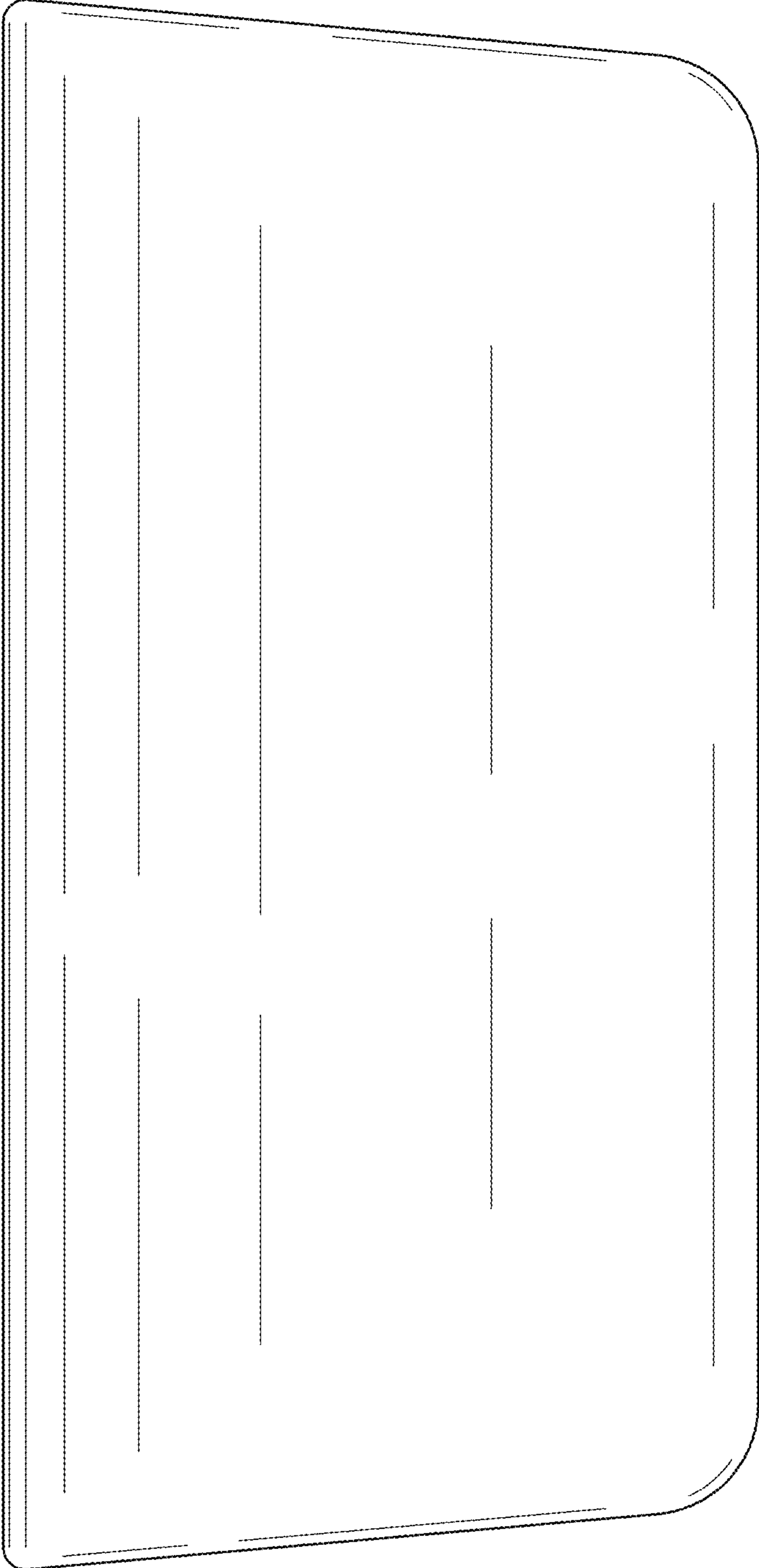


FIG. 8

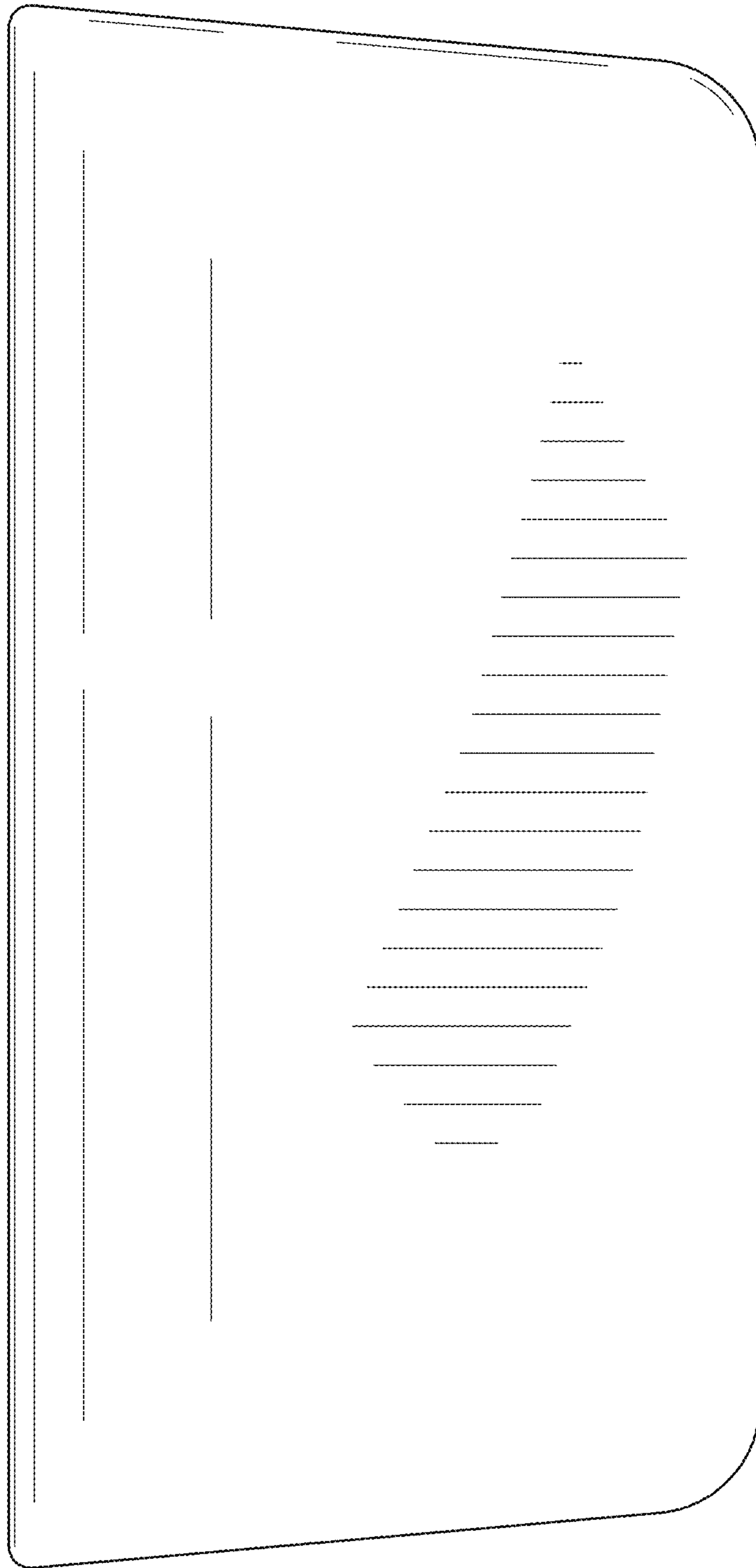


FIG. 9