



US00D833508S

(12) **United States Design Patent Overall** (10) **Patent No.:** **US D833,508 S**
(45) **Date of Patent:** **** Nov. 13, 2018**

(54) **CAMERA FILTER FRAME**
(71) Applicant: **Jeff Overall**, Costa Mesa, CA (US)
(72) Inventor: **Jeff Overall**, Costa Mesa, CA (US)
(73) Assignee: **Jeff Overall**, Fountain Valley, CA (US)
(**) Term: **15 Years**

D702,278 S * 4/2014 Kim D16/237
D740,345 S * 10/2015 Fujita D16/219
D745,592 S * 12/2015 Oh D16/134
D776,737 S * 1/2017 Horton D16/136
D777,237 S * 1/2017 Kobayashi D16/219
D784,437 S * 4/2017 Kobayashi D16/219
D788,203 S * 5/2017 Kobayashi D16/219
D793,466 S * 8/2017 Clark D16/219
D799,578 S * 10/2017 Clark D16/219
2016/0091778 A1* 3/2016 Kobayashi G03B 11/00
359/892

(21) Appl. No.: **29/606,475**
(22) Filed: **Jun. 5, 2017**
(51) **LOC (11) Cl.** **16-05**
(52) **U.S. Cl.**
USPC **D16/219**
(58) **Field of Classification Search**
USPC D16/134, 136, 200, 202-205, 218, 219,
D16/235, 242; 348/373-376;
359/826-828; 396/529-532, 535,
396/539-541
CPC G03B 17/02; G03B 19/04; G03B 17/56;
G03B 17/04; G03B 15/03; G03B 17/14;
H04N 5/2251; H04N 5/2252; H04N
5/2253; H04N 5/2254; G02B 7/02; G02B
7/04; G02B 7/14
See application file for complete search history.

* cited by examiner

Primary Examiner — Philip S Hyder
Assistant Examiner — Ramzi S Almatrahi

(57) **CLAIM**

The ornamental design for a camera filter frame, as shown and described.

DESCRIPTION

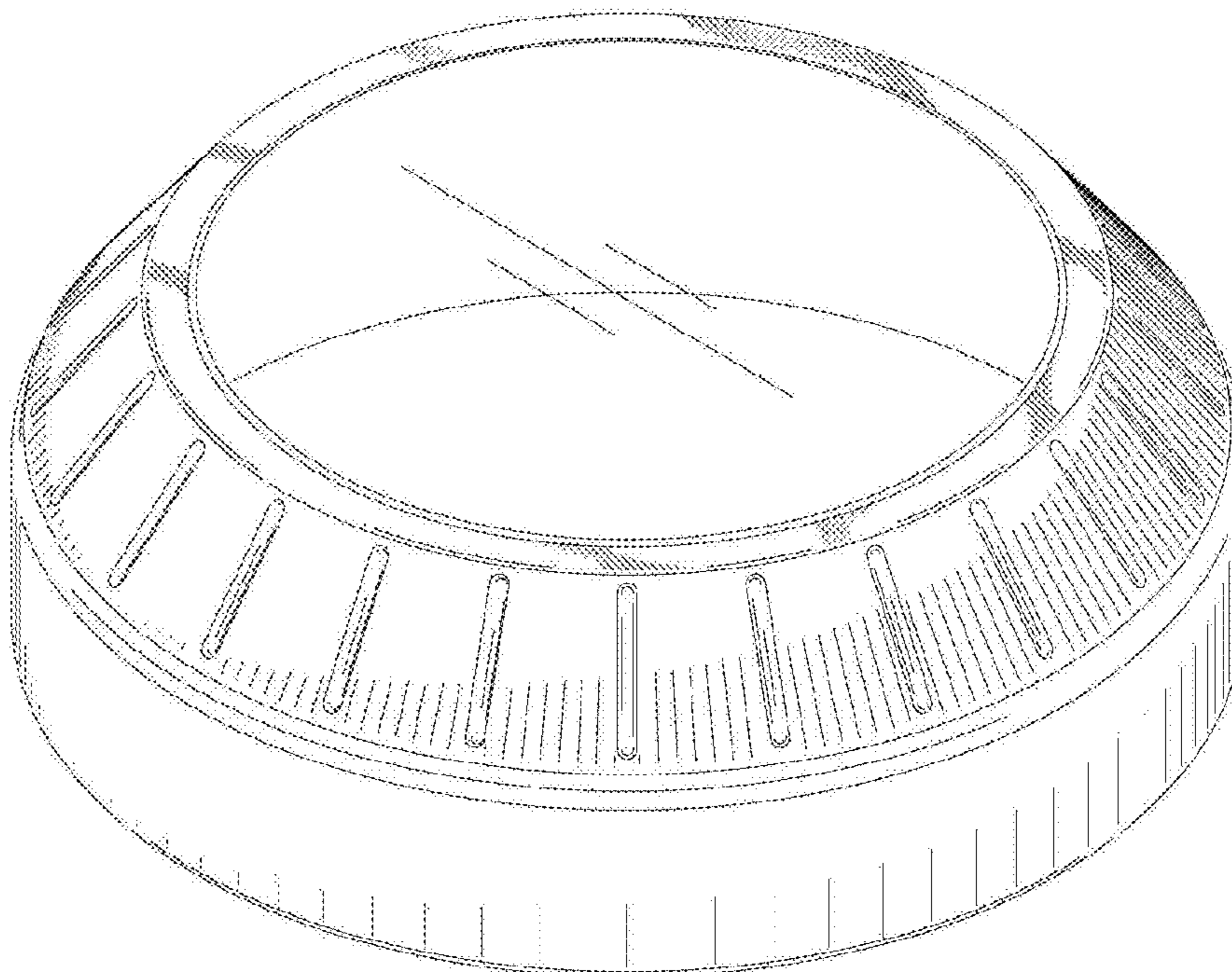
FIG. 1 is a perspective view of a camera filter frame showing my new design;
FIG. 2 is a top plan view thereof;
FIG. 3 is a front elevation view thereof; the rear, right side, and left side elevation views being a mirror image thereof; and,
FIG. 4 is a bottom plan view thereof.
The broken lines depict portions of a camera filter in which the design is embodied that form no part of the claimed design.

(56) **References Cited**

U.S. PATENT DOCUMENTS

D649,574 S * 11/2011 Kobayashi D16/219
D682,908 S * 5/2013 Nakajima D16/200

1 Claim, 4 Drawing Sheets



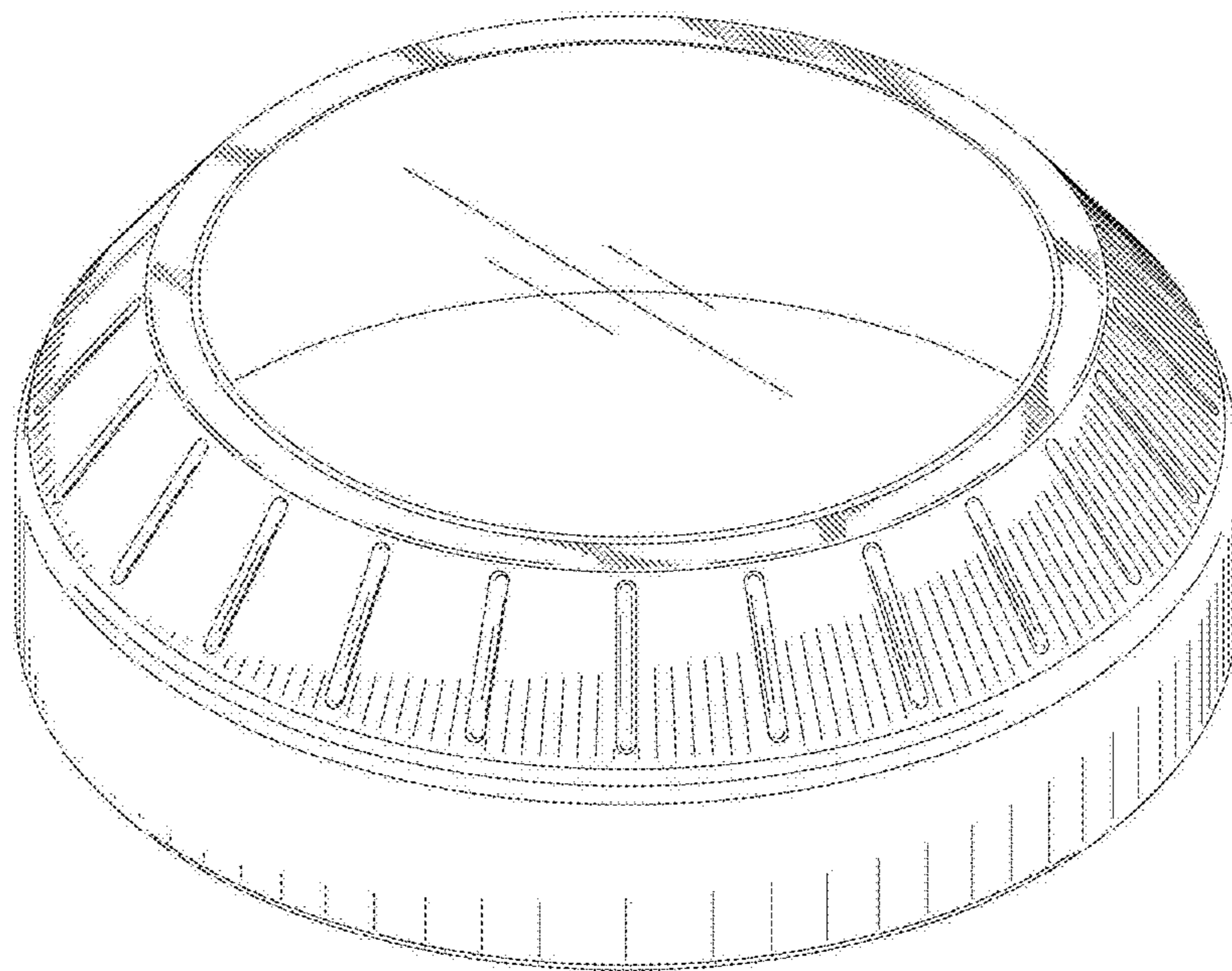


FIG.1

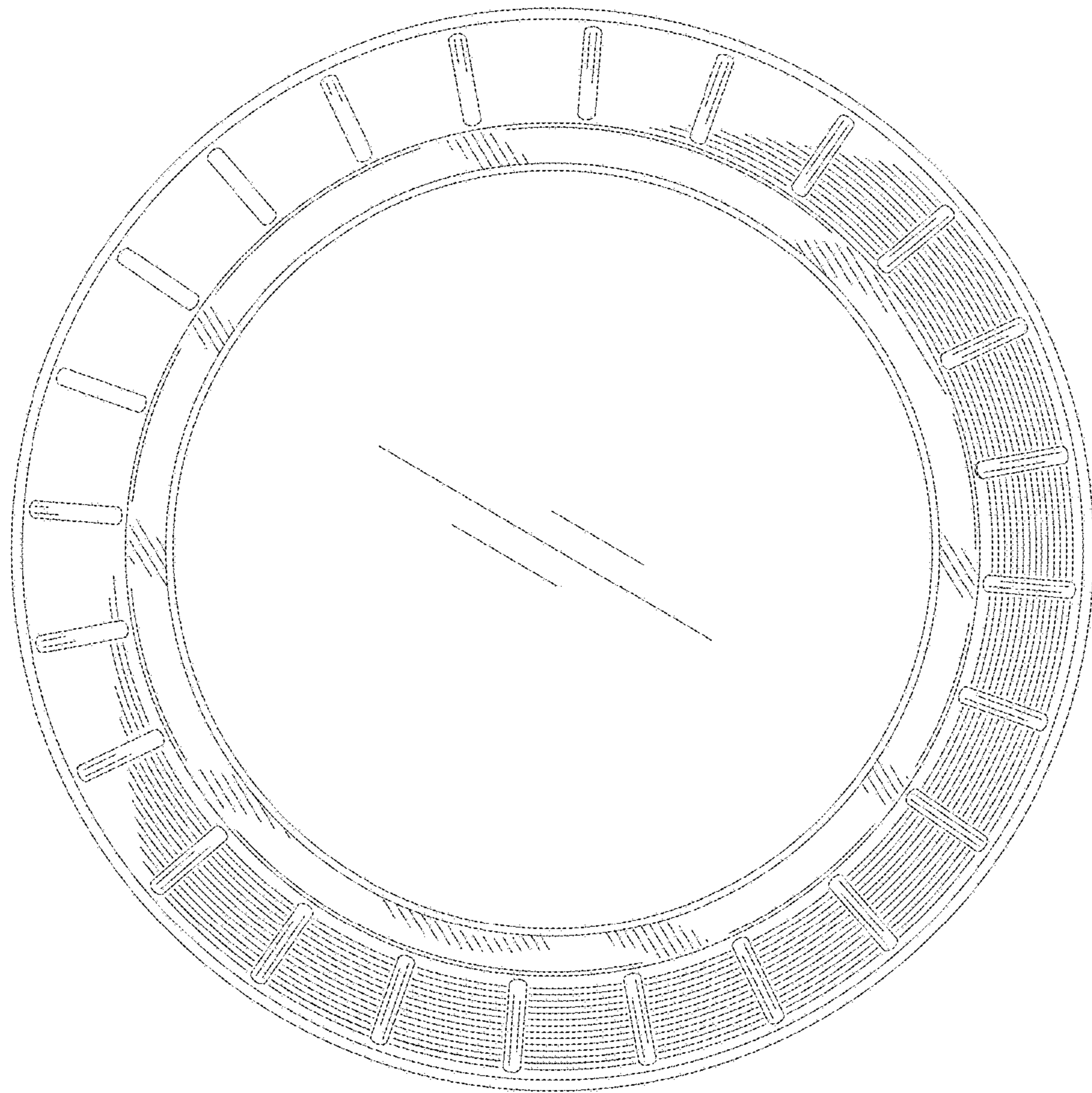


FIG. 2

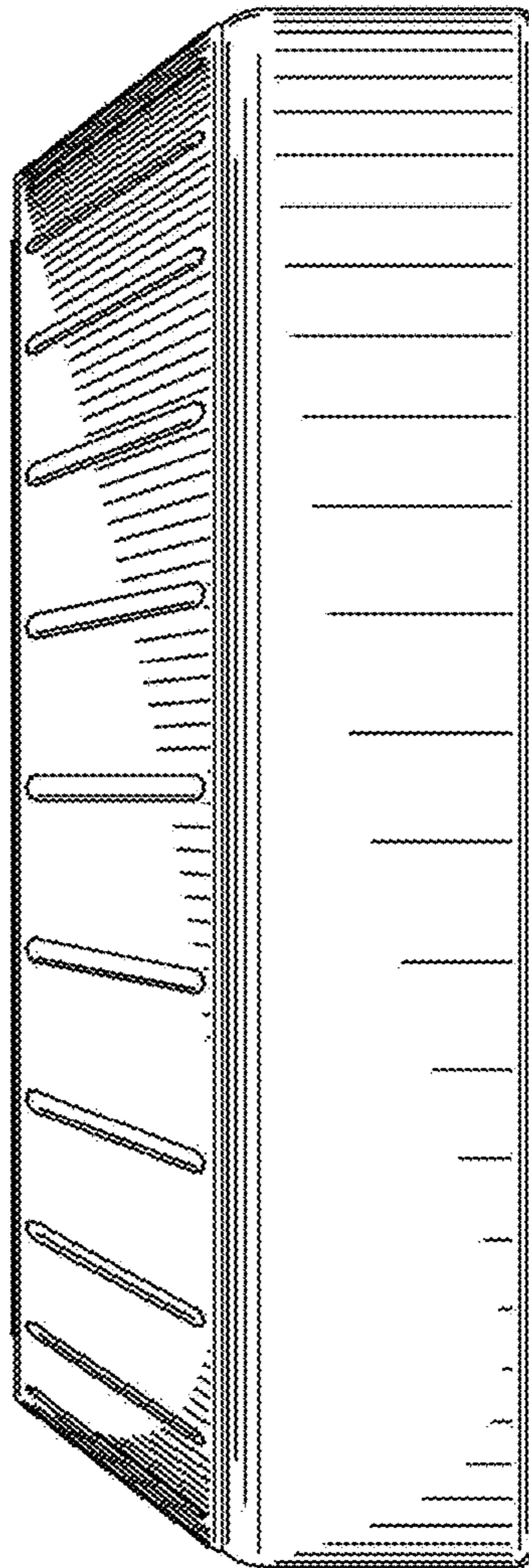


FIG. 3

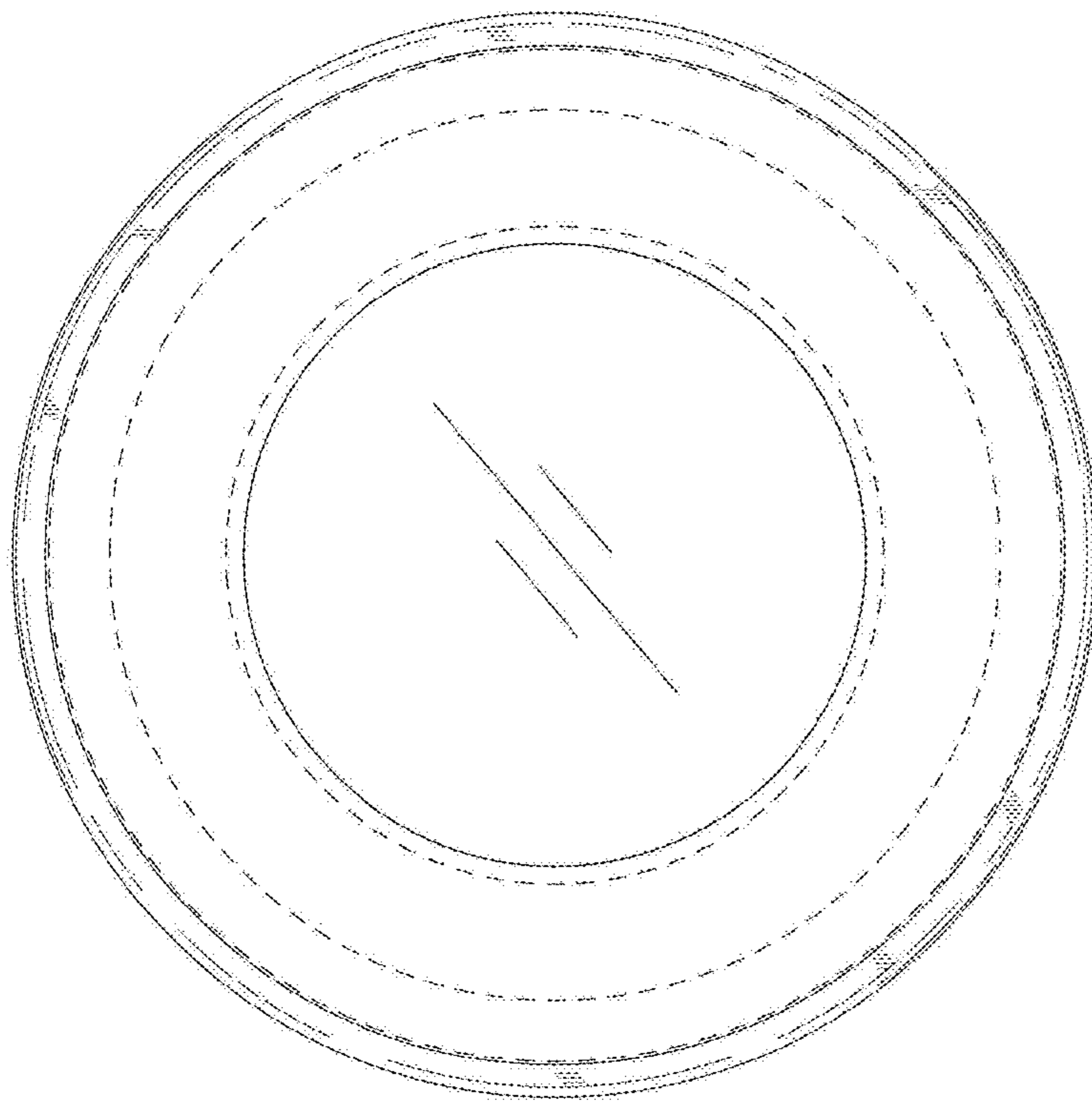


FIG. 4