



US00D833507S

(12) **United States Design Patent**
Xie

(10) **Patent No.:** **US D833,507 S**

(45) **Date of Patent:** **** Nov. 13, 2018**

(54) **ACTION CAMERA**

(71) Applicant: **Jianguo Xie**, Shenzhen (CN)

(72) Inventor: **Jianguo Xie**, Shenzhen (CN)

(**) Term: **15 Years**

(21) Appl. No.: **29/610,392**

(22) Filed: **Jul. 12, 2017**

(51) **LOC (11) Cl.** **16-01**

(52) **U.S. Cl.**
USPC **D16/218**

(58) **Field of Classification Search**
USPC D16/200, 202–208, 218, 219, 242;
348/143, 148, 151, 373–376; 396/419,
396/427, 535, 539–541
CPC G03B 17/02; G03B 19/04; G03B 17/56;
G03B 17/04; G03B 15/03; H04N 5/2251;
H04N 5/2252; H04N 5/2253; H04N
5/2254; H04N 7/181; H04N 7/183; H04N
7/18; G08B 13/1963; G08B 13/19619;
G08B 13/19632

See application file for complete search history.

(56) **References Cited**

U.S. PATENT DOCUMENTS

D516,105 S * 2/2006 Bradley D16/202
D527,406 S * 8/2006 Lin D16/202
D552,649 S * 10/2007 Logan D16/200

D628,223 S * 11/2010 Kao D16/202
D690,344 S * 9/2013 Hollinger D16/200
D700,232 S * 2/2014 Ramsay D16/207
D705,844 S * 5/2014 Bart D16/203
D723,604 S * 3/2015 Mohan D16/203
D730,966 S * 6/2015 Liu D16/202
D742,955 S * 11/2015 Kozko D16/207
D750,147 S * 2/2016 Muller D16/203

* cited by examiner

Primary Examiner — Philip S Hyder

Assistant Examiner — Ramzi S Almatrahi

(74) *Attorney, Agent, or Firm* — Li & Cai Intellectual
Property (USA) Office

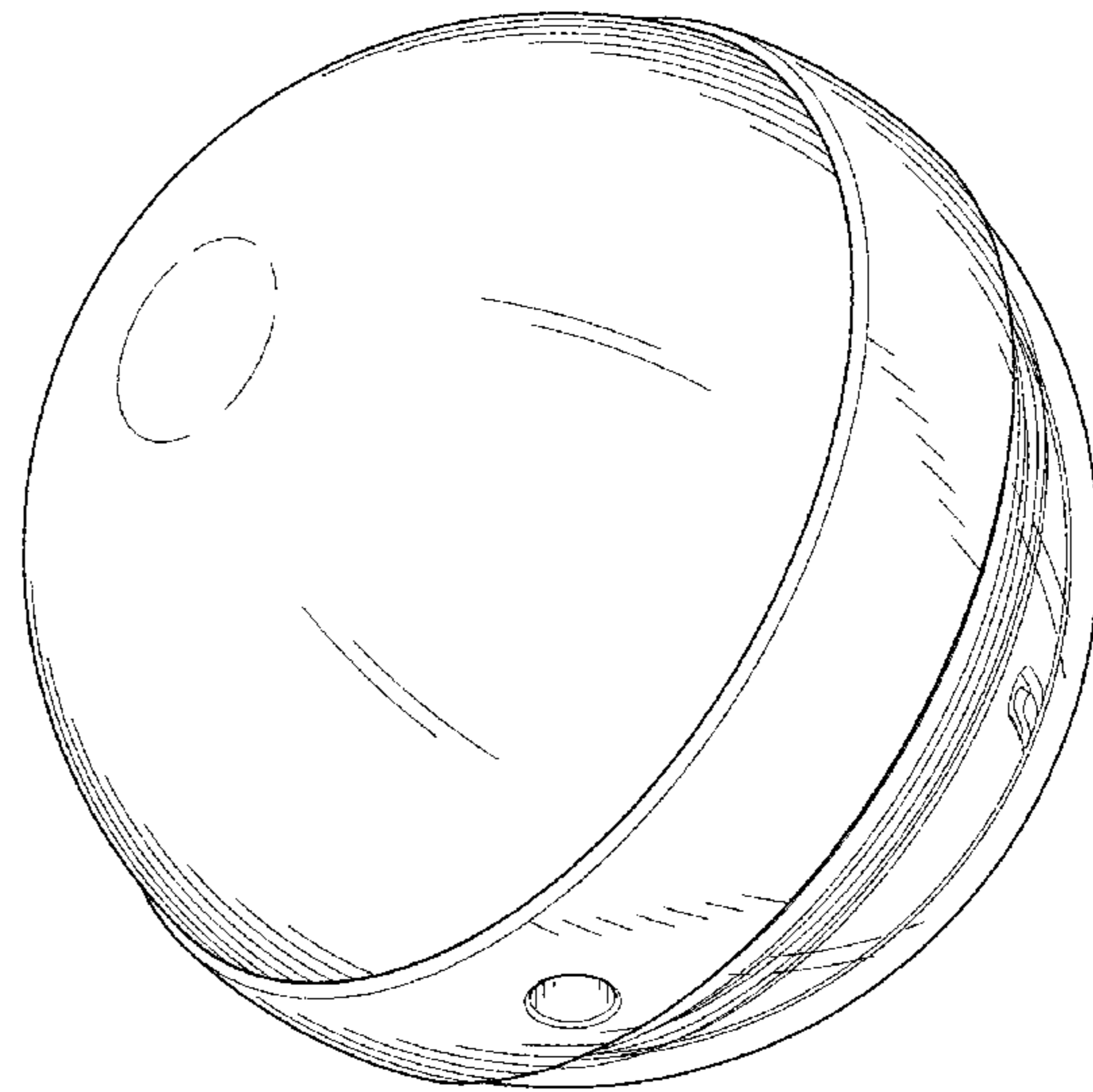
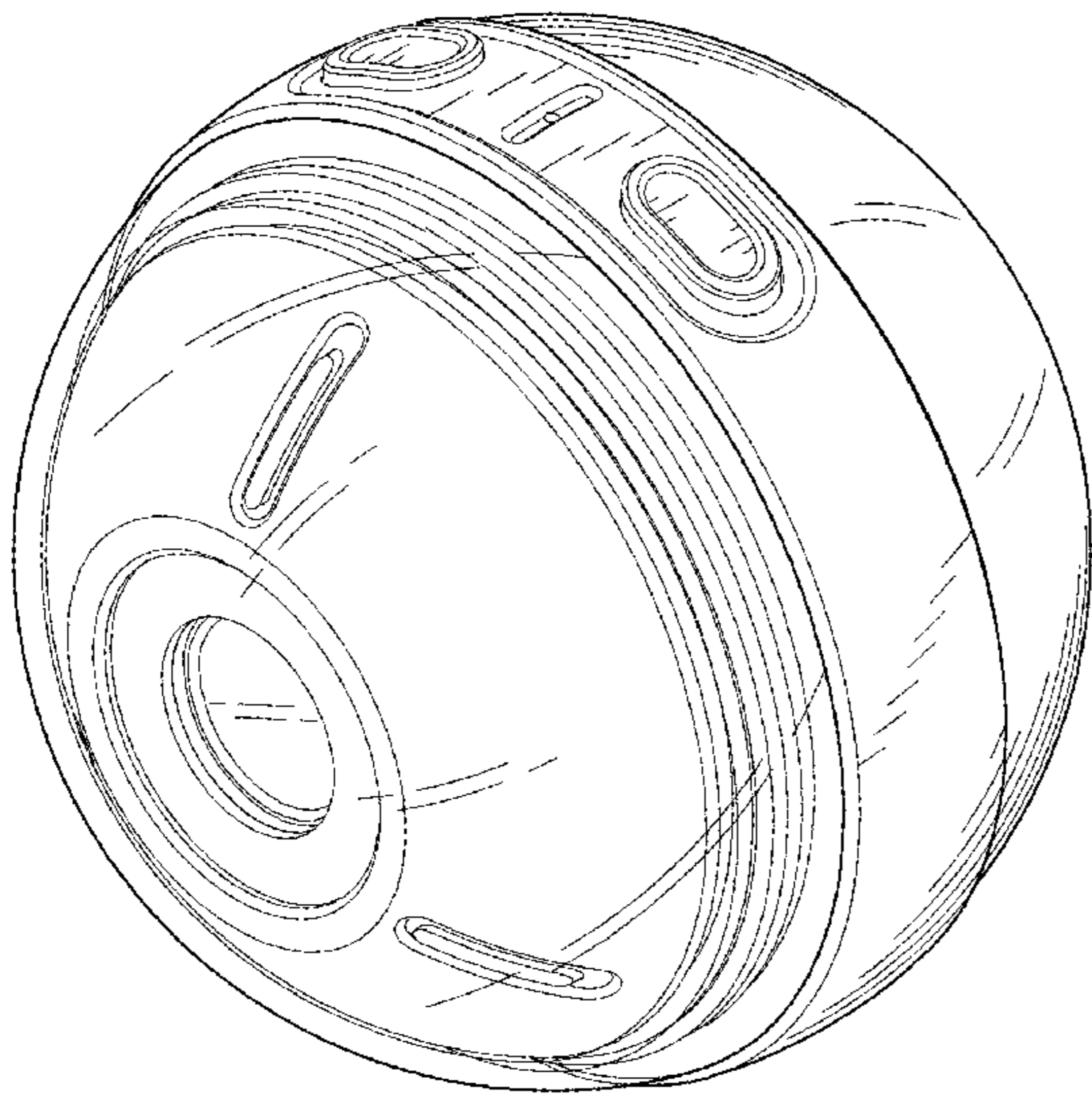
(57) **CLAIM**

The ornamental design for an action camera, as shown and
described.

DESCRIPTION

FIG. 1 is a front perspective view of an action camera
showing my new design;
FIG. 2 is a front view thereof;
FIG. 3 is a rear view thereof;
FIG. 4 is a left side view thereof;
FIG. 5 is a right side view thereof;
FIG. 6 is a top view thereof;
FIG. 7 is a bottom view thereof;
FIG. 8 is a rear perspective view thereof; and,
FIG. 9 is an exploded front perspective view thereof.

1 Claim, 9 Drawing Sheets



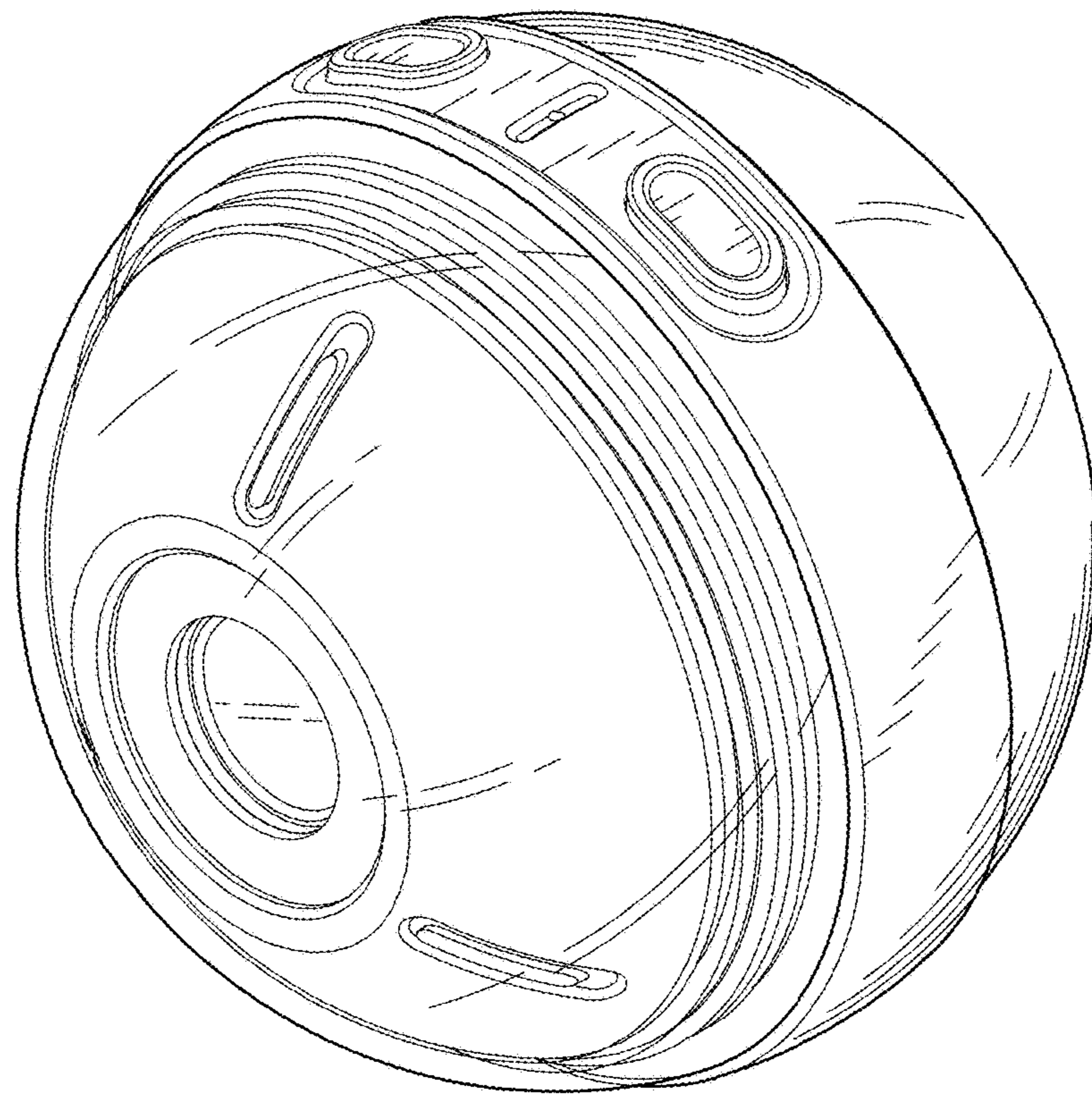


FIG. 1

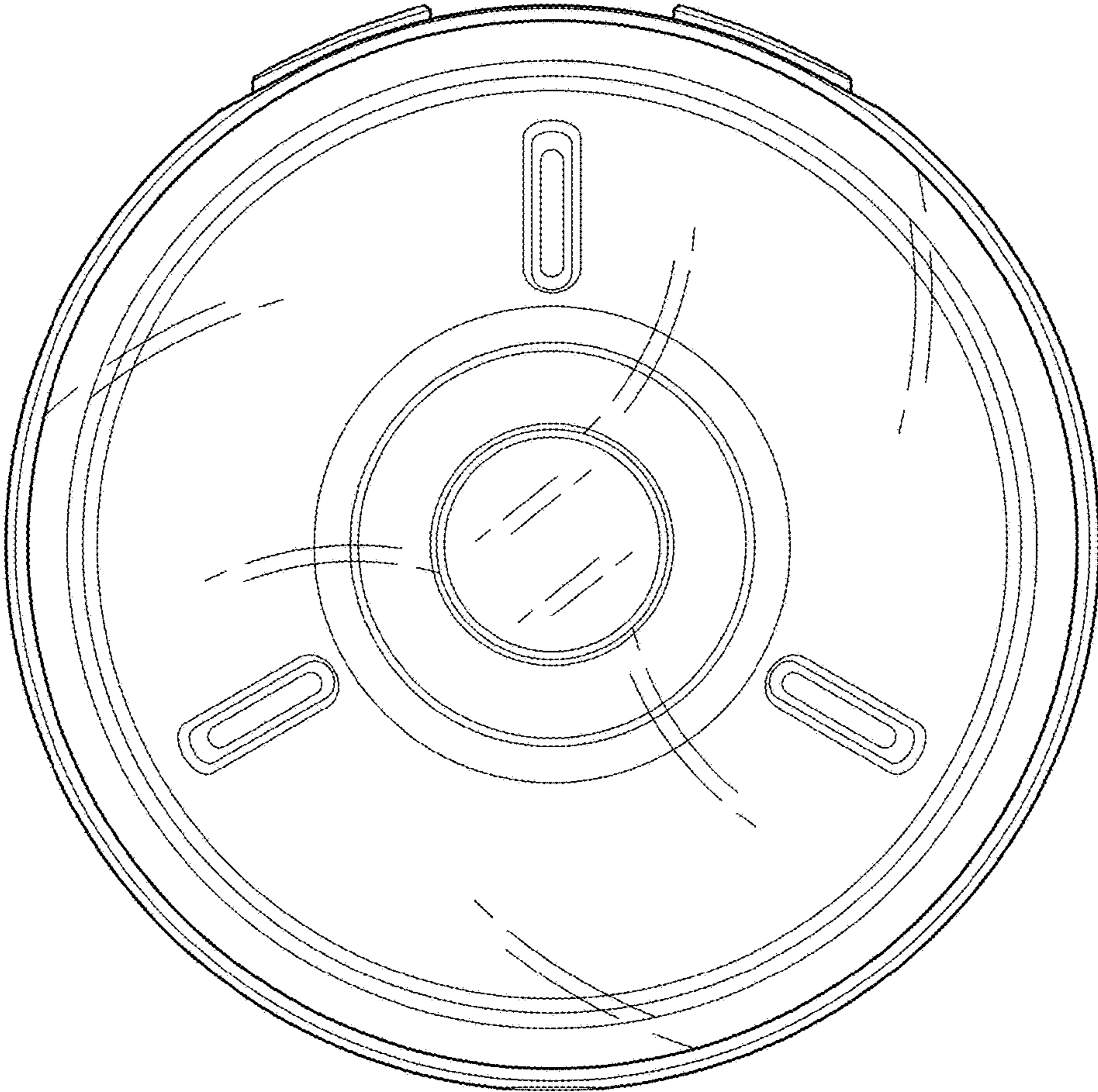


FIG. 2

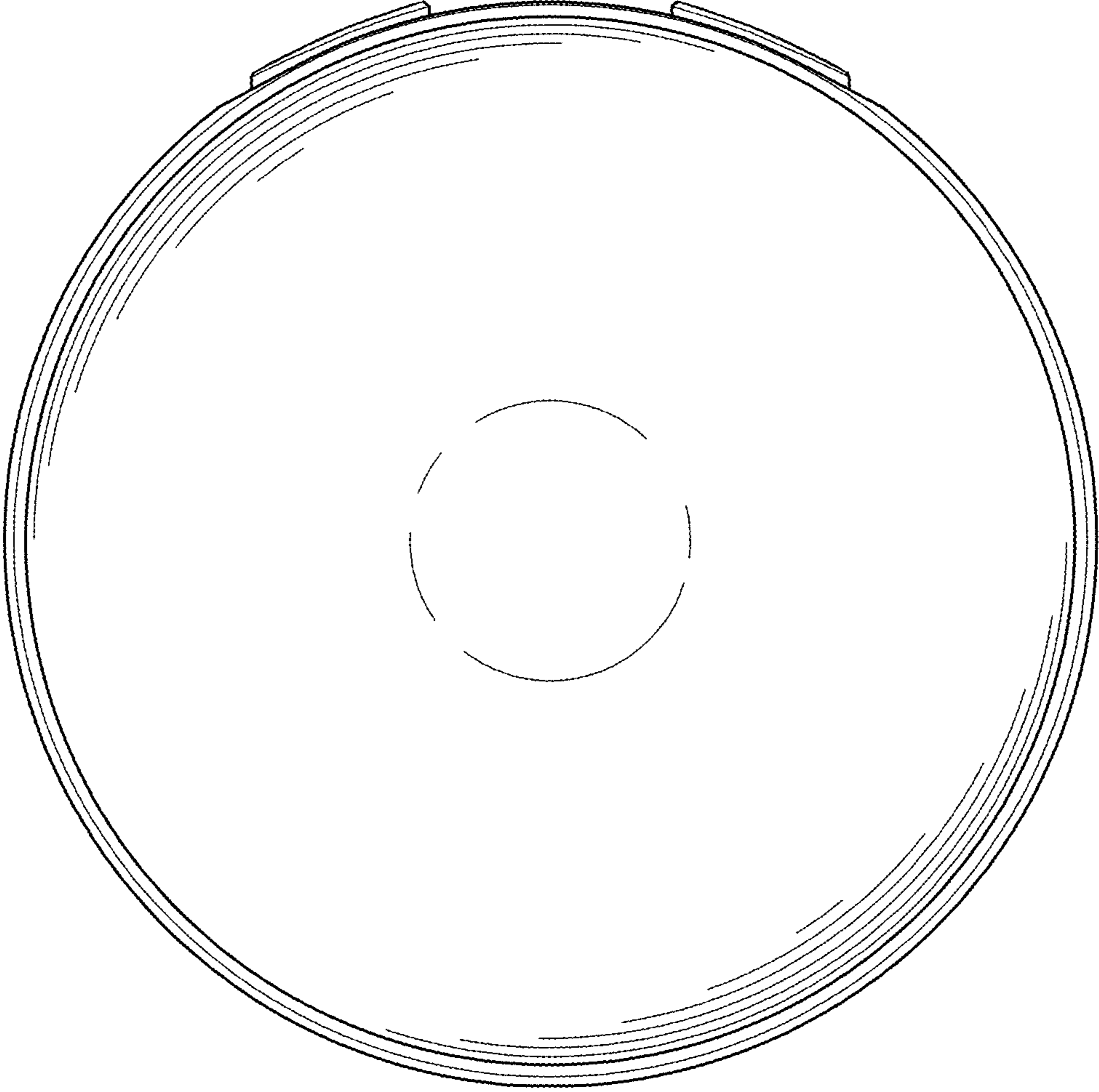


FIG. 3

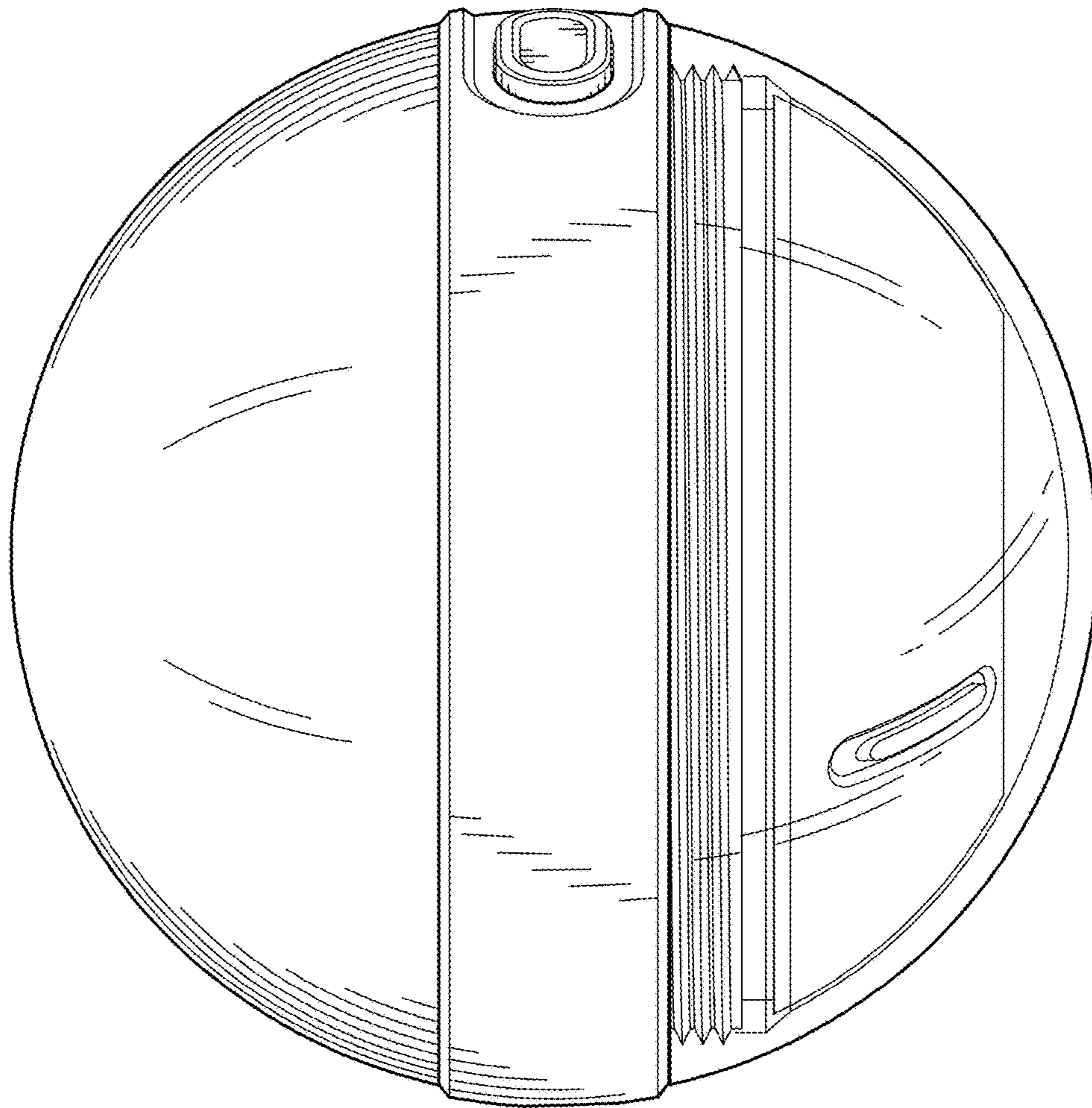


FIG. 4

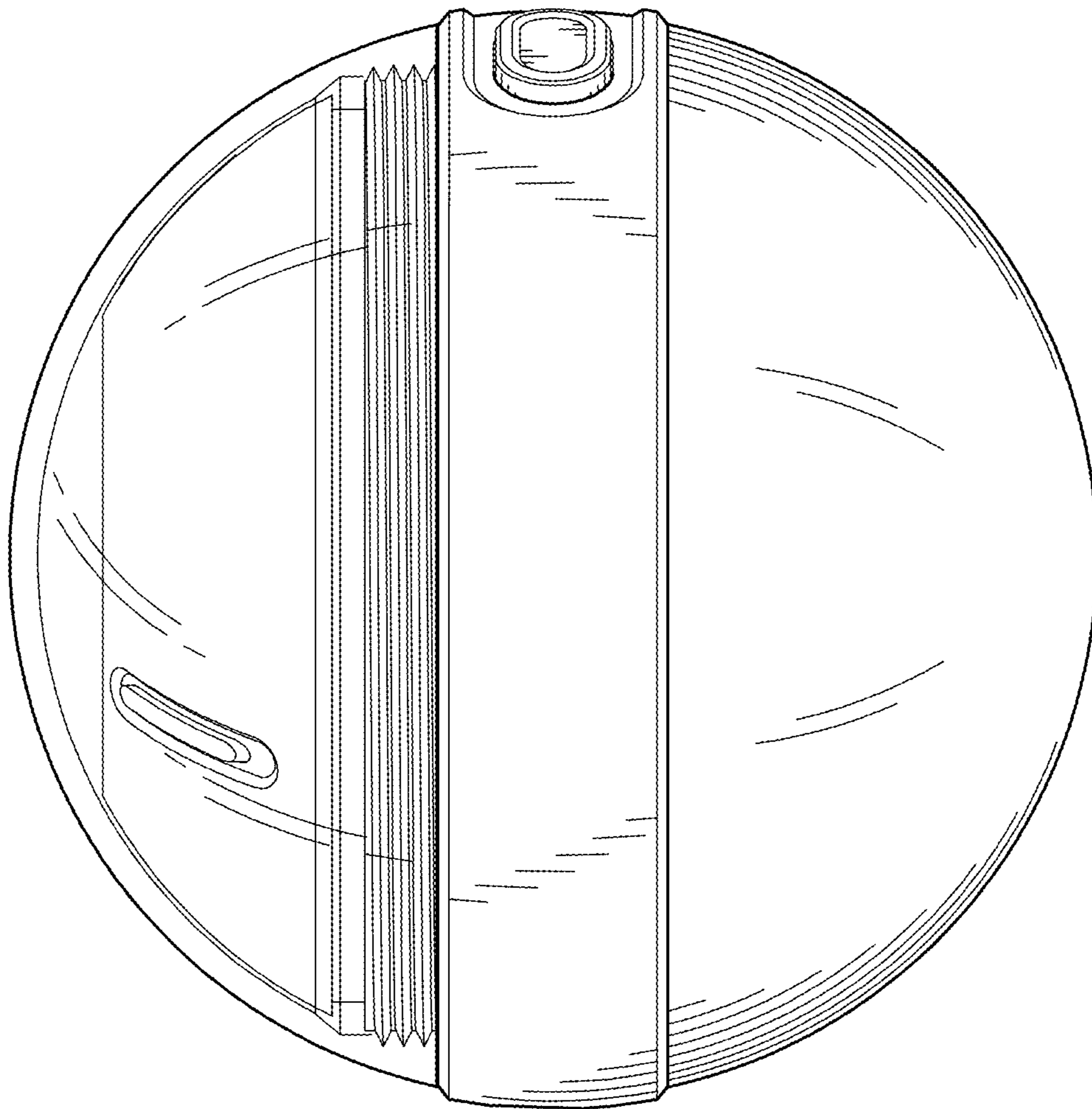


FIG. 5

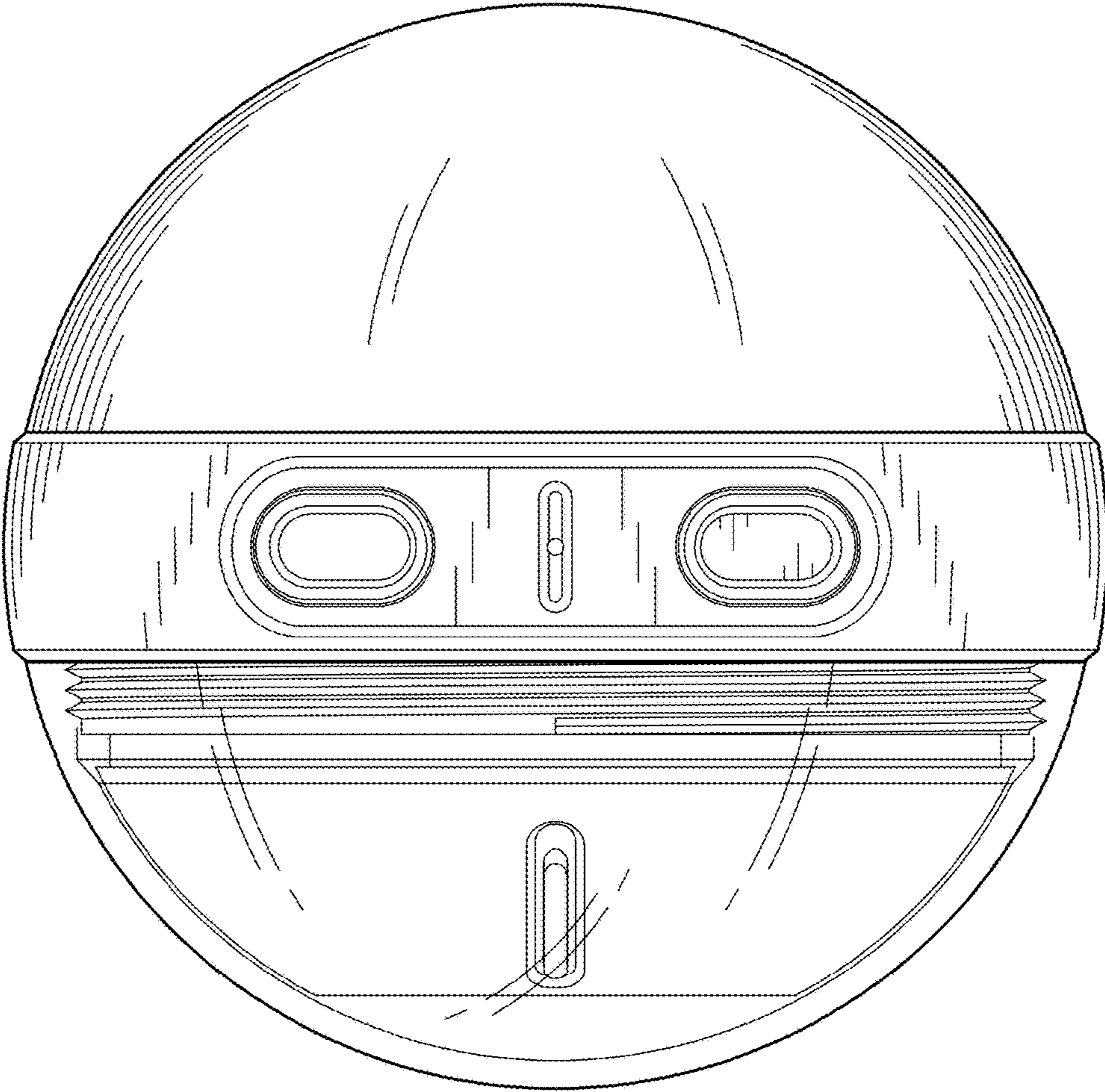


FIG. 6

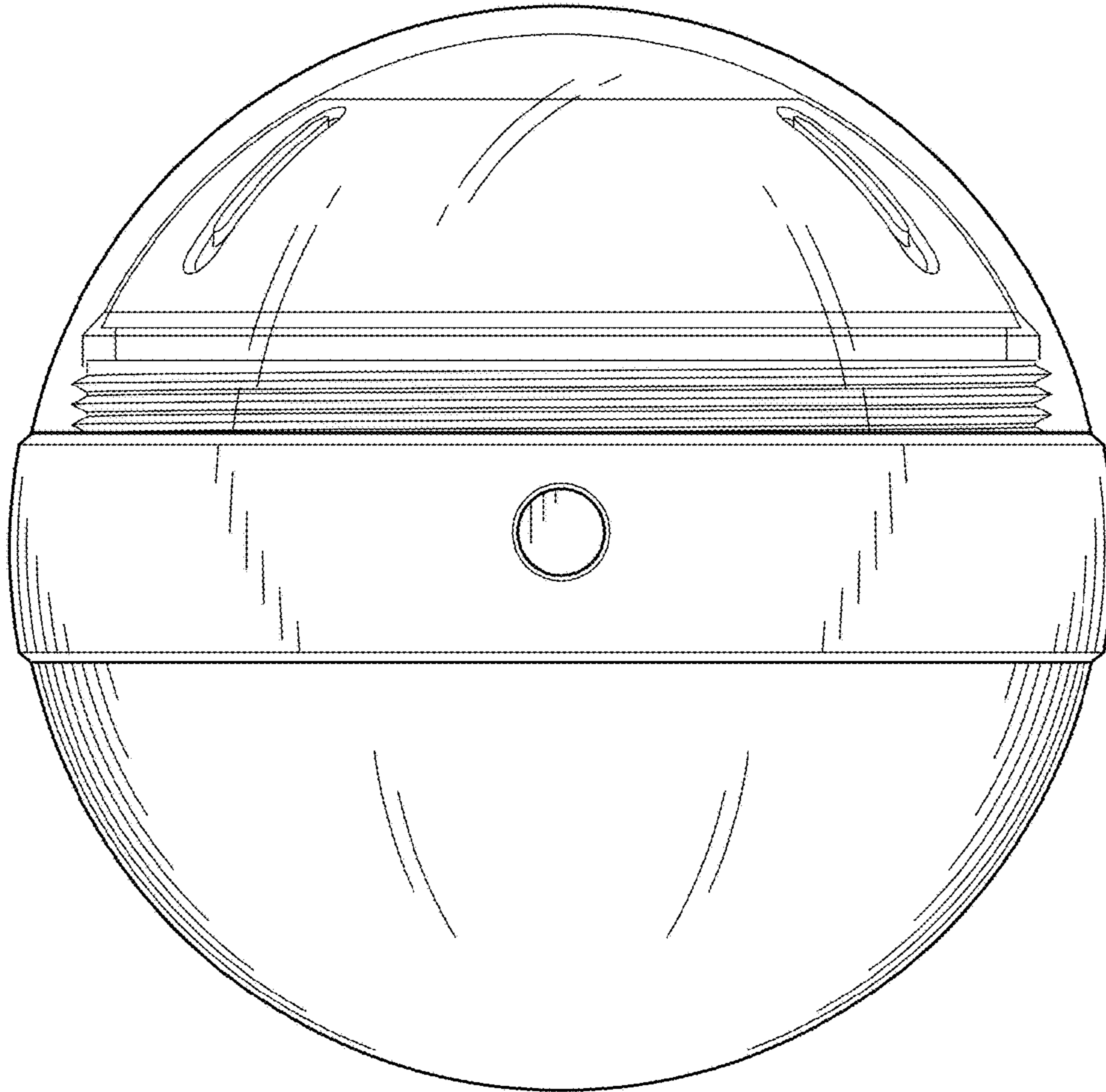


FIG. 7

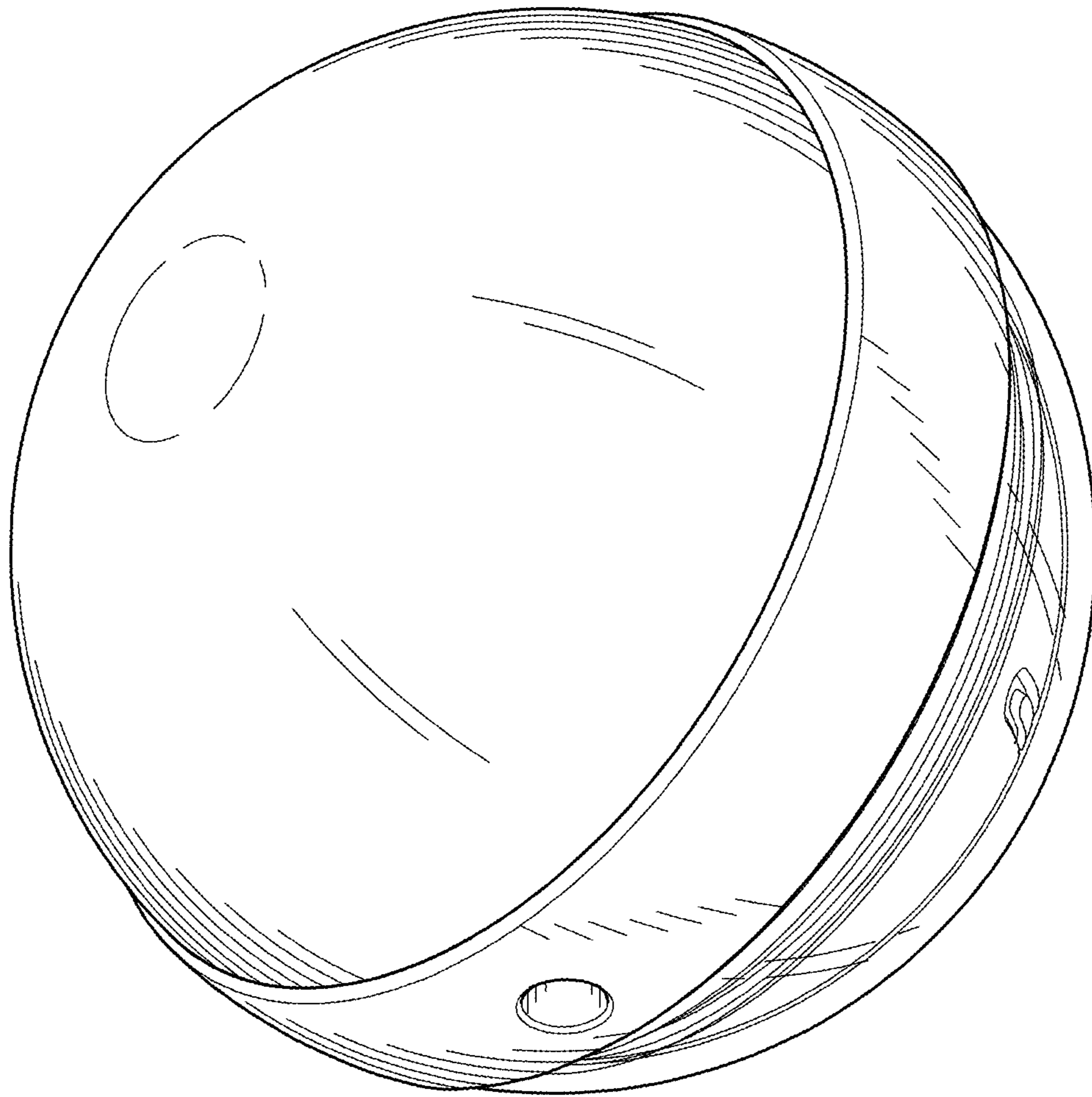


FIG. 8

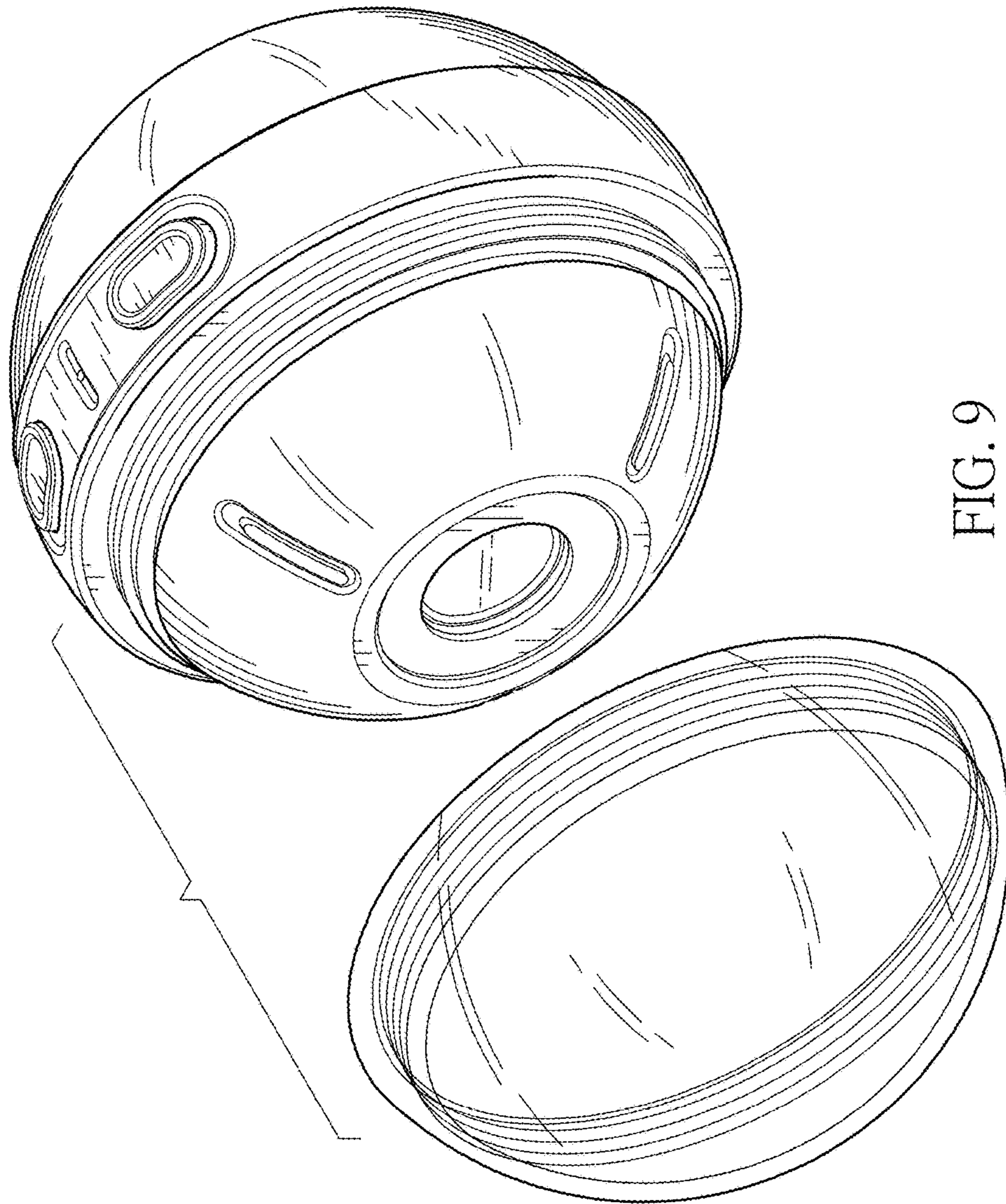


FIG. 9