



US00D833506S

(12) **United States Design Patent**
Chen

(10) **Patent No.:** **US D833,506 S**

(45) **Date of Patent:** **** Nov. 13, 2018**

(54) **HUNTING CAMERA**

(71) Applicant: **SHENZHEN GD DIGITAL LIMITED**, Shenzhen, Guangdong (CN)

(72) Inventor: **Zhujun Chen**, Guangdong (CN)

(73) Assignee: **SHENZHEN GD DIGITAL LIMITED**, Shenzhen, Guangdong (CN)

(**) Term: **15 Years**

(21) Appl. No.: **29/604,911**

(22) Filed: **May 22, 2017**

(51) **LOC (11) Cl.** **16-01**

(52) **U.S. Cl.**
USPC **D16/218; D16/203**

(58) **Field of Classification Search**
USPC D16/200, 202–206, 218, 219, 242;
348/143, 148, 151, 155, 164, 373–376;
396/419, 427, 535, 539–541
CPC G03B 17/02; G03B 19/04; G03B 17/56;
G03B 17/04; G03B 15/03; H04N 5/2251;
H04N 5/2252; H04N 5/2253; H04N
5/2254; H04N 7/181; H04N 7/183; H04N
7/18; G08B 13/1963; G08B 13/19619;
G08B 13/19632; G08B 13/19602; G08B
13/19634; F16M 11/04; F16M 13/00
See application file for complete search history.

(56) **References Cited**

U.S. PATENT DOCUMENTS

7,471,334 B1 * 12/2008 Stenger G03B 29/00
348/143
7,534,056 B2 * 5/2009 Cross F16M 11/10
348/143

D616,009 S * 5/2010 Schnell D16/218
D628,224 S * 11/2010 Barley D16/203
D653,276 S * 1/2012 Schnell D16/218
D655,735 S * 3/2012 Barley D16/203
D655,736 S * 3/2012 Barley D16/203
D671,584 S * 11/2012 Ohno D16/202
D673,991 S * 1/2013 Schnell D16/218
D674,833 S * 1/2013 Cuddeback D16/203
D691,647 S * 10/2013 Ye D16/203
D721,116 S * 1/2015 Schnell D16/218
D735,259 S * 7/2015 Vermaak D16/218

* cited by examiner

Primary Examiner — Philip S Hyder

Assistant Examiner — Ramzi S Almatrahi

(74) *Attorney, Agent, or Firm* — Li & Cai Intellectual
Property (USA) Office

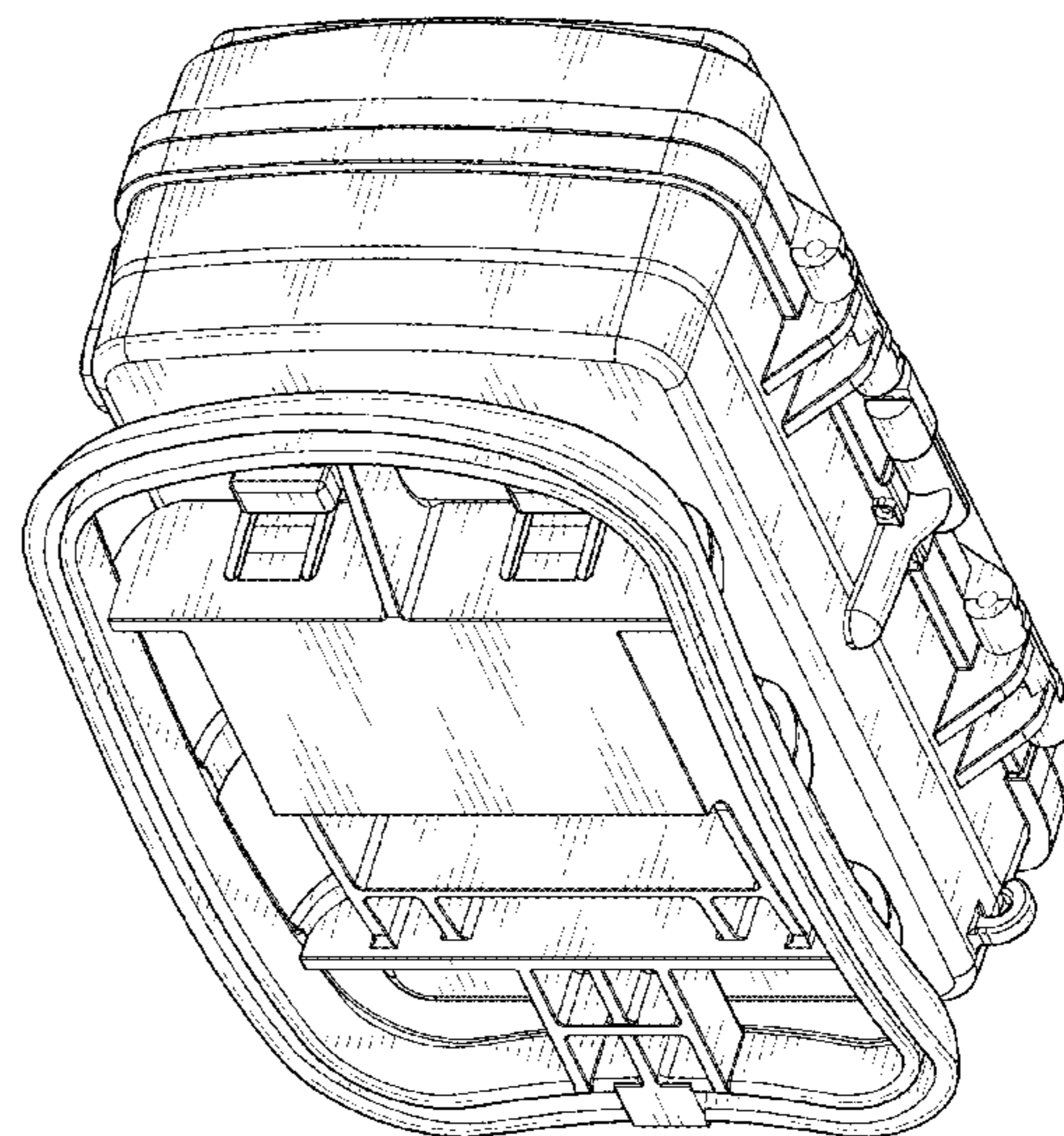
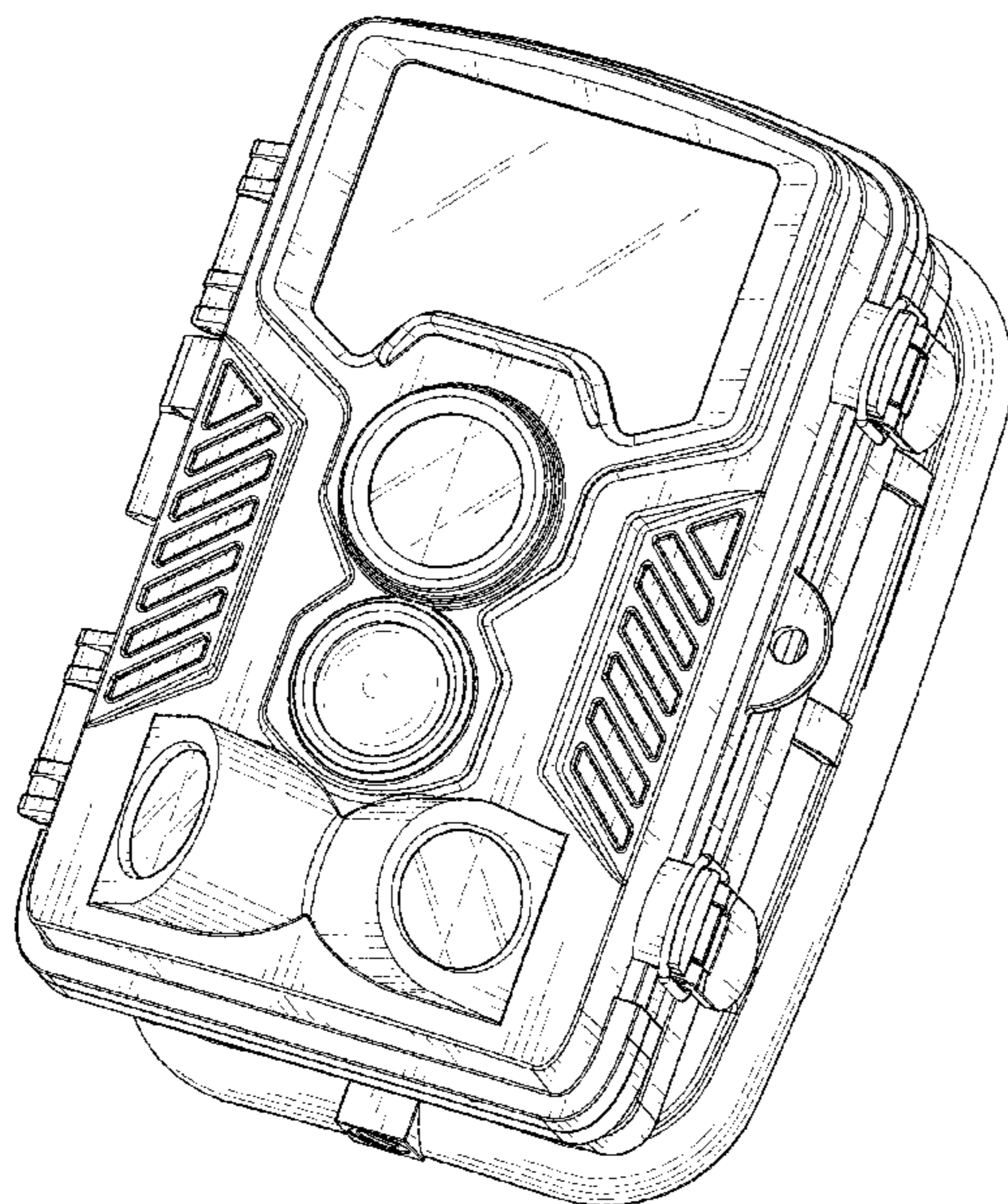
(57) **CLAIM**

The ornamental design for a hunting camera, as shown and described.

DESCRIPTION

FIG. 1 is a front perspective view of a hunting camera showing my new design;
FIG. 2 is a front view thereof;
FIG. 3 is a rear view thereof;
FIG. 4 is a left side view thereof;
FIG. 5 is a right side view thereof;
FIG. 6 is a top view thereof;
FIG. 7 is a bottom view thereof; and,
FIG. 8 is a rear perspective view thereof.
The broken lines depict portions of the hunting camera in which the design is embodied that form no part of the claimed design.

1 Claim, 8 Drawing Sheets



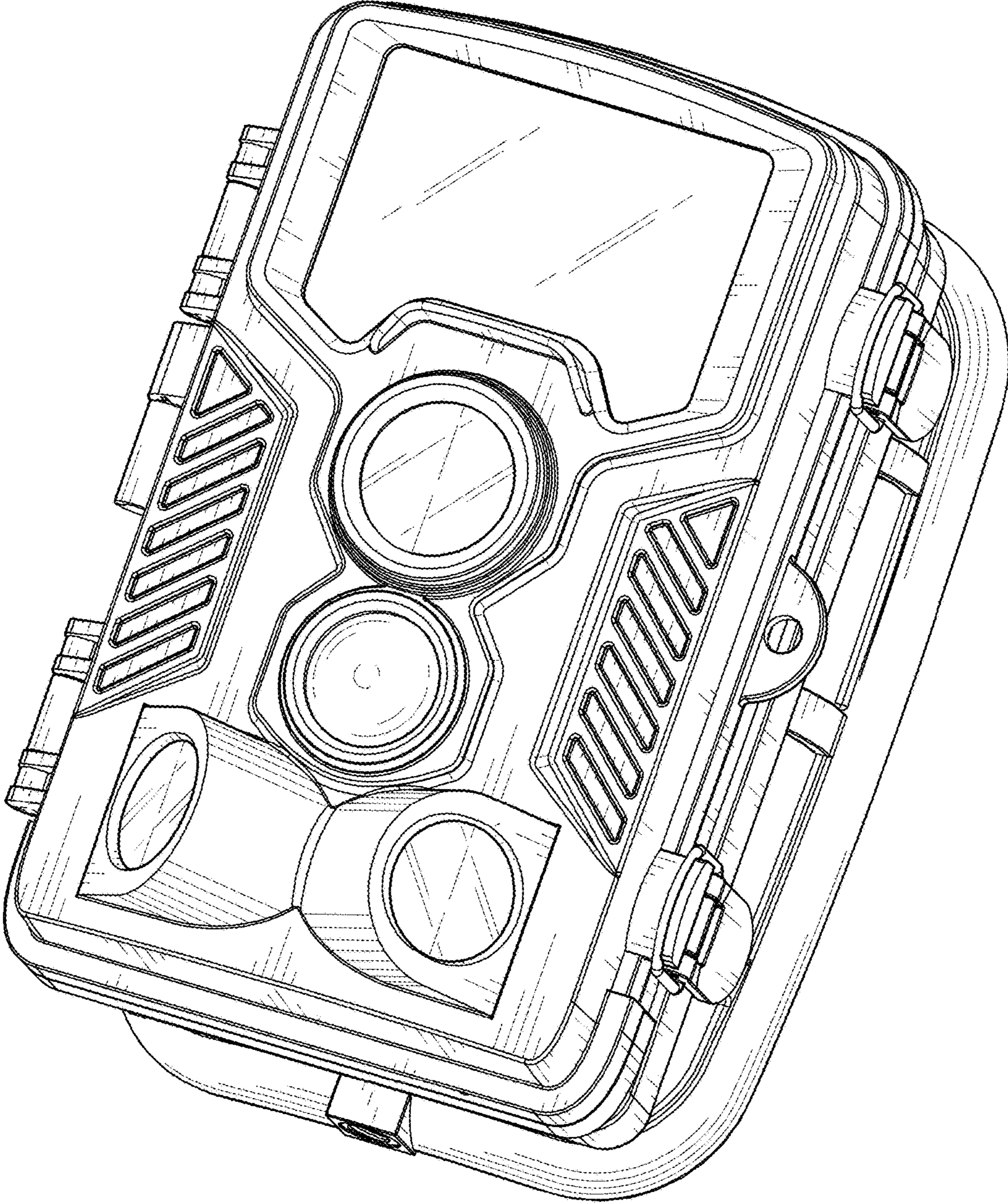


FIG. 1

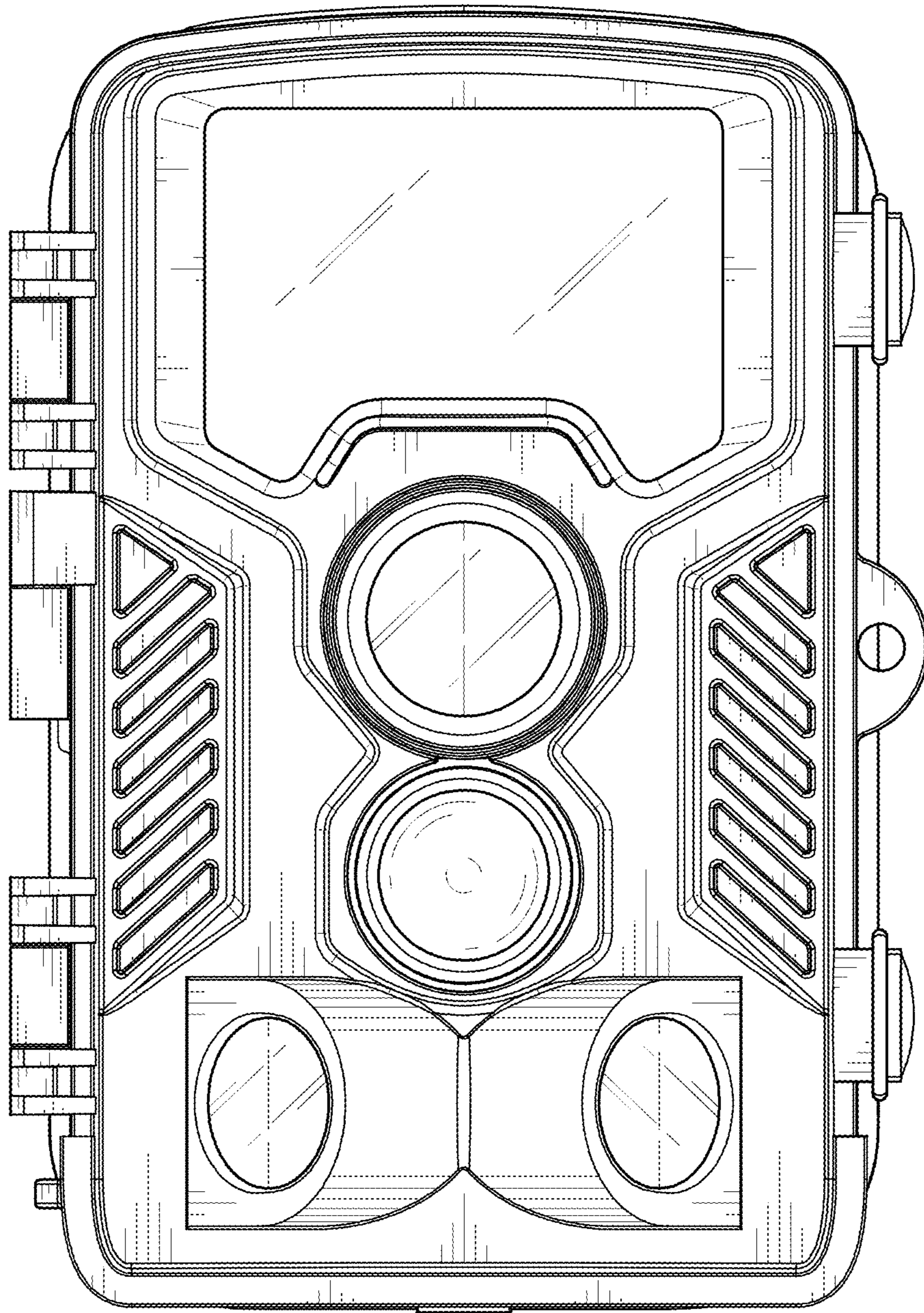


FIG. 2

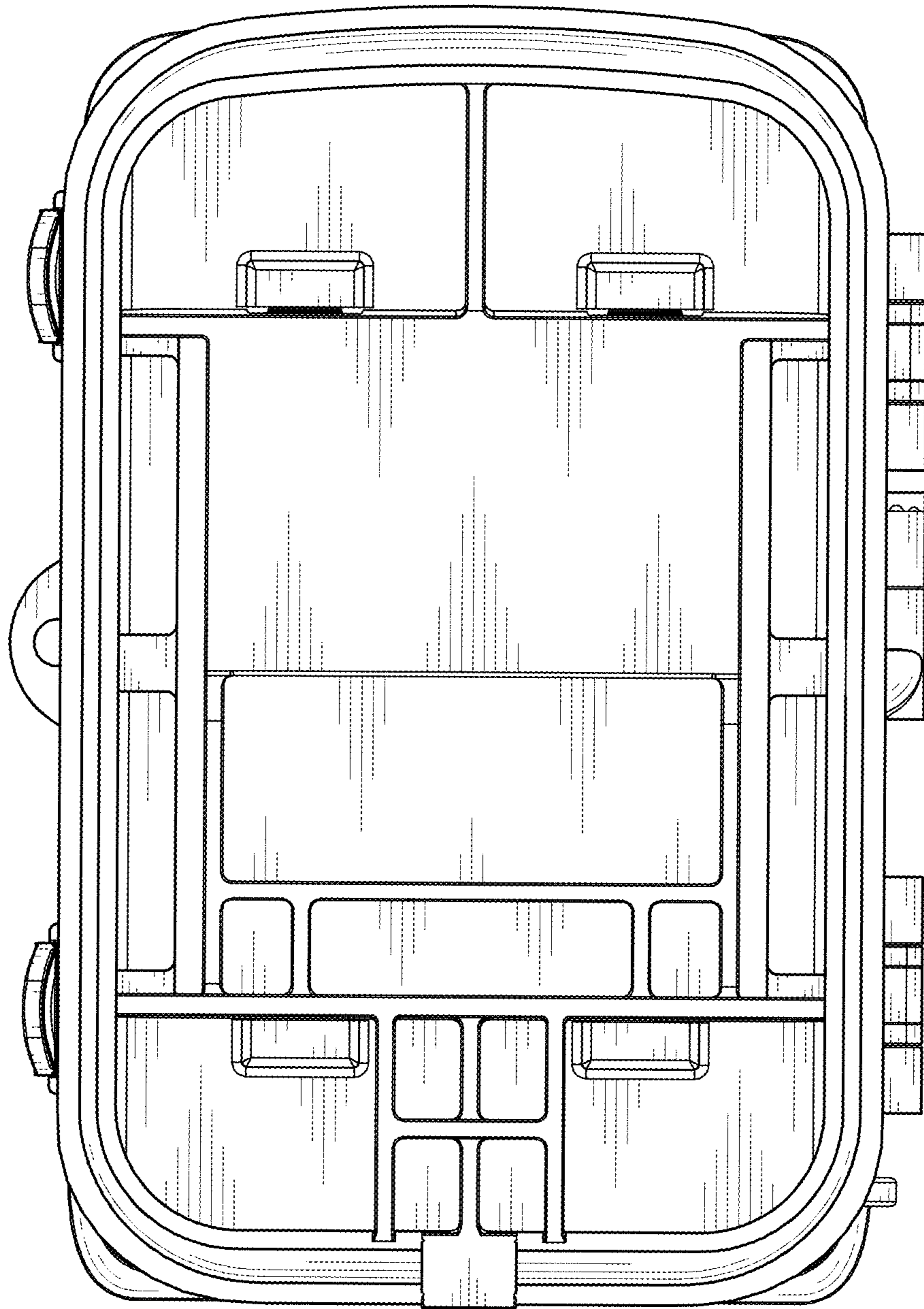


FIG. 3

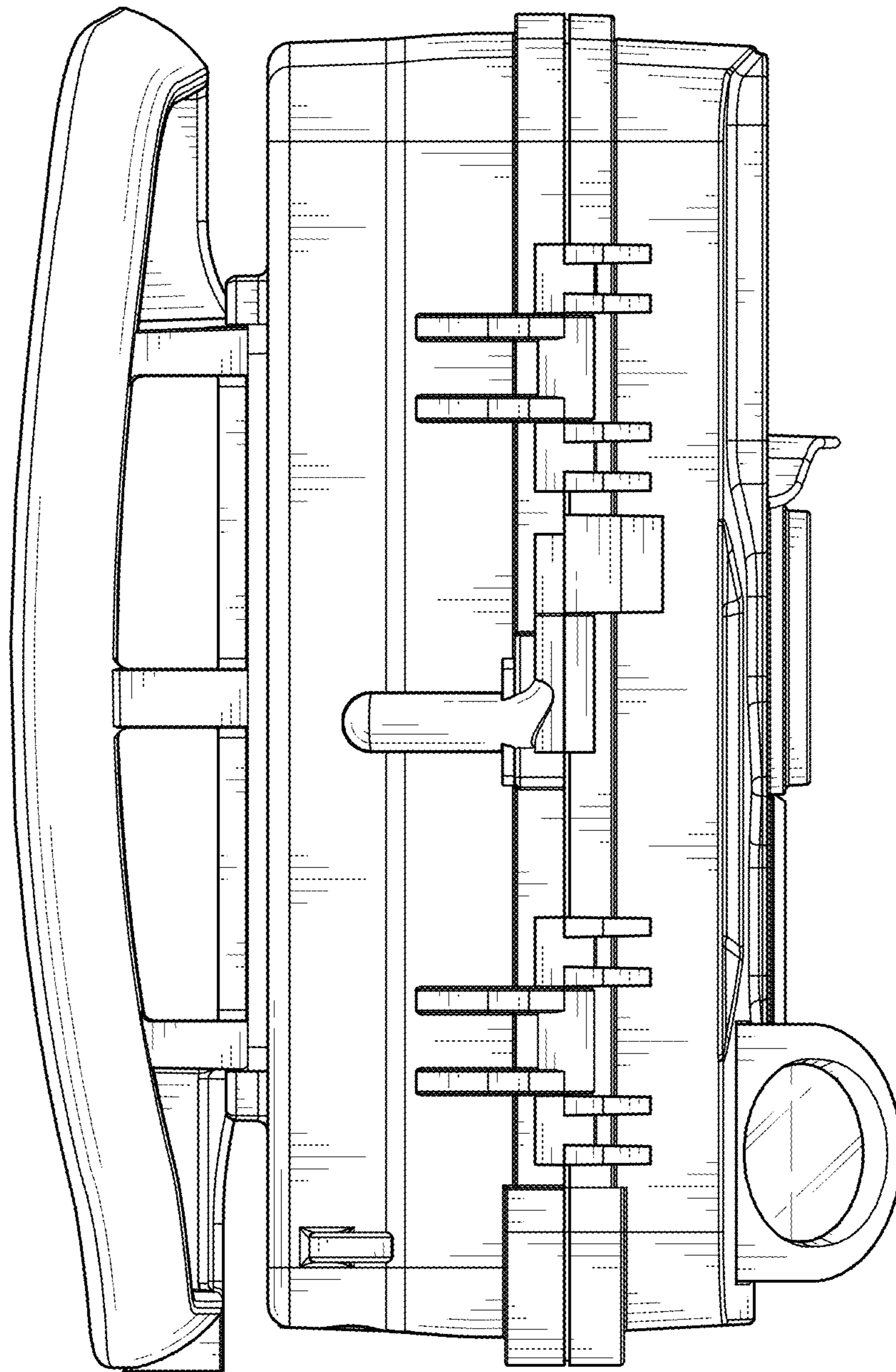


FIG. 4

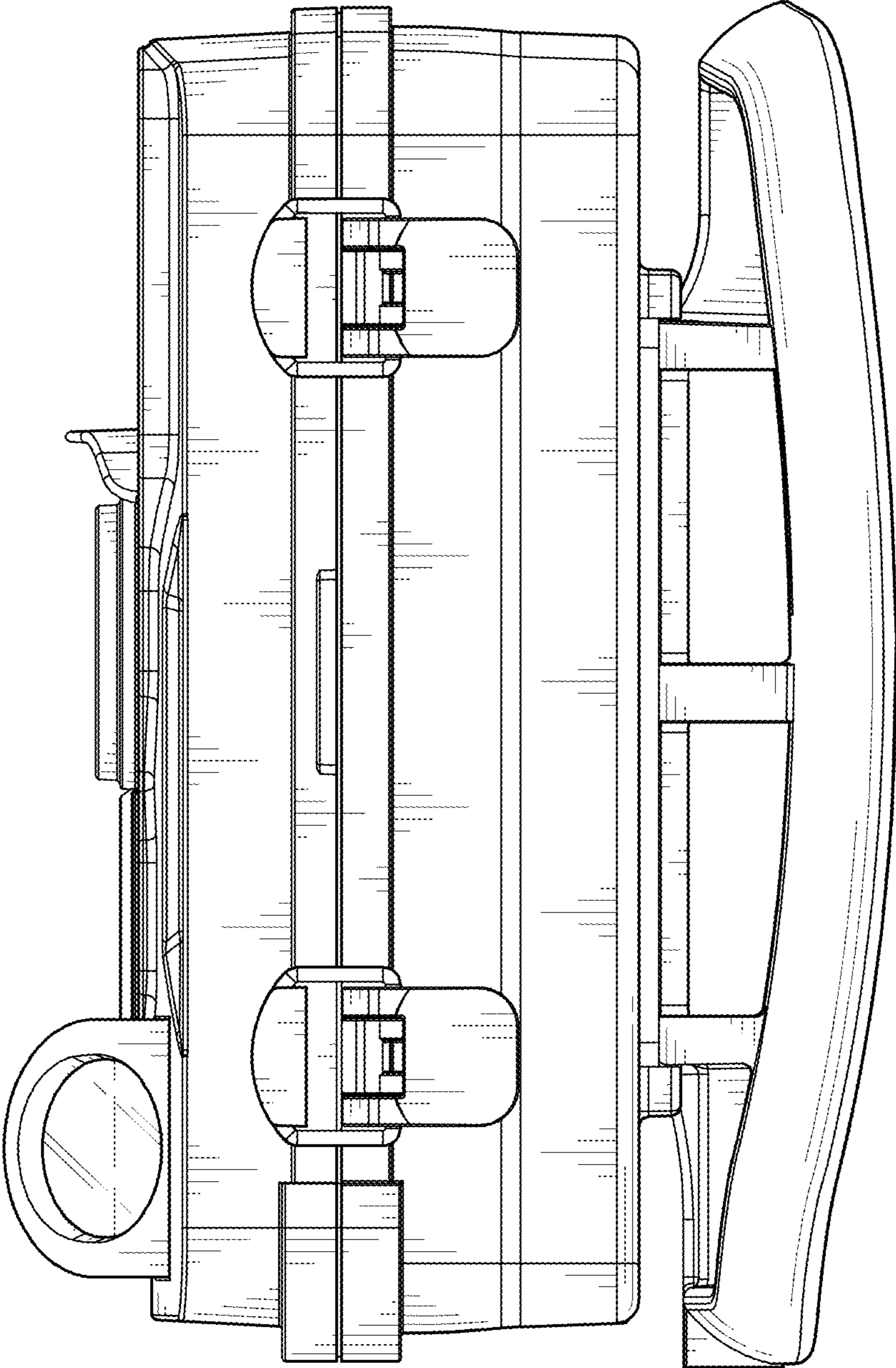


FIG. 5

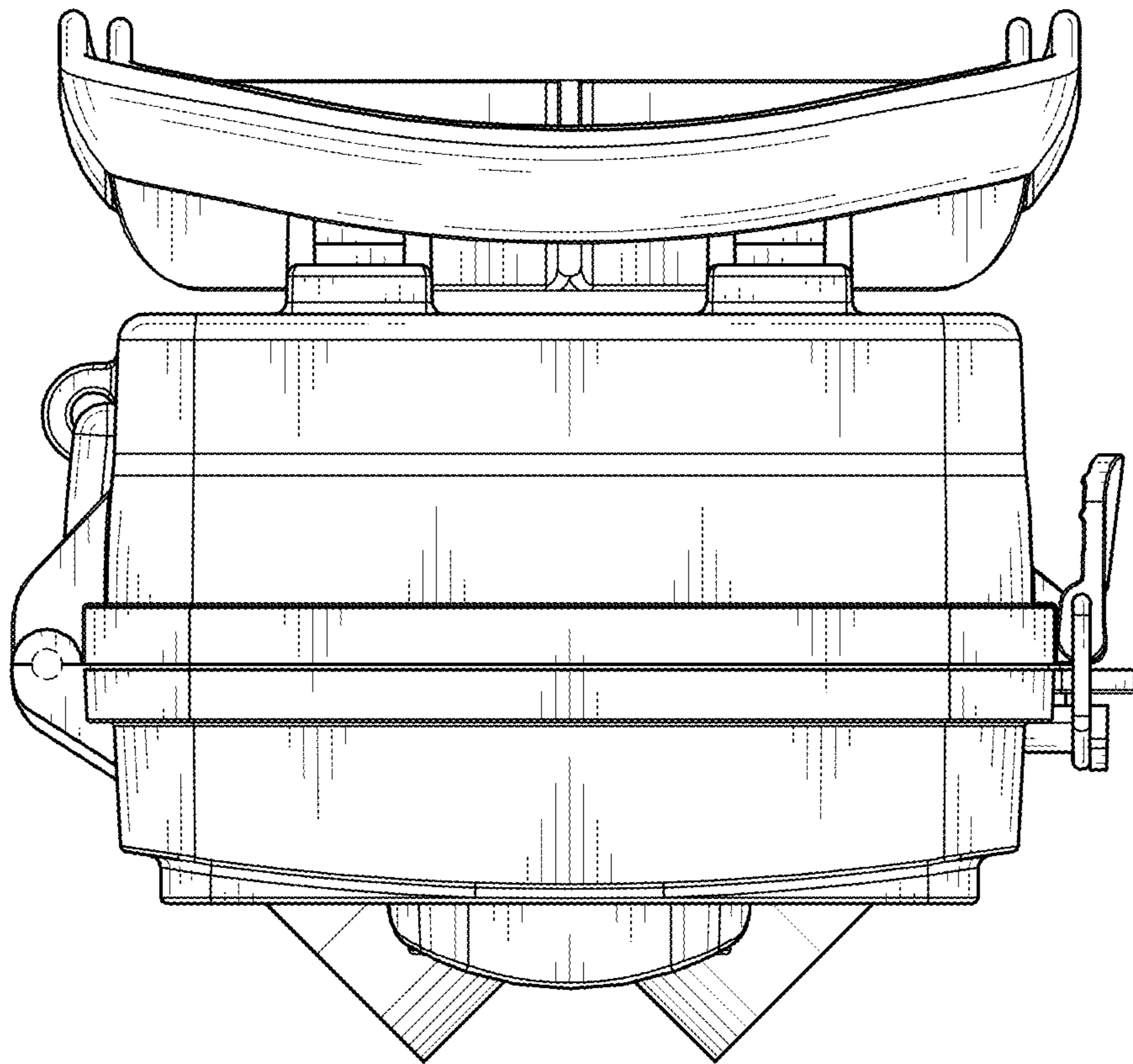


FIG. 6

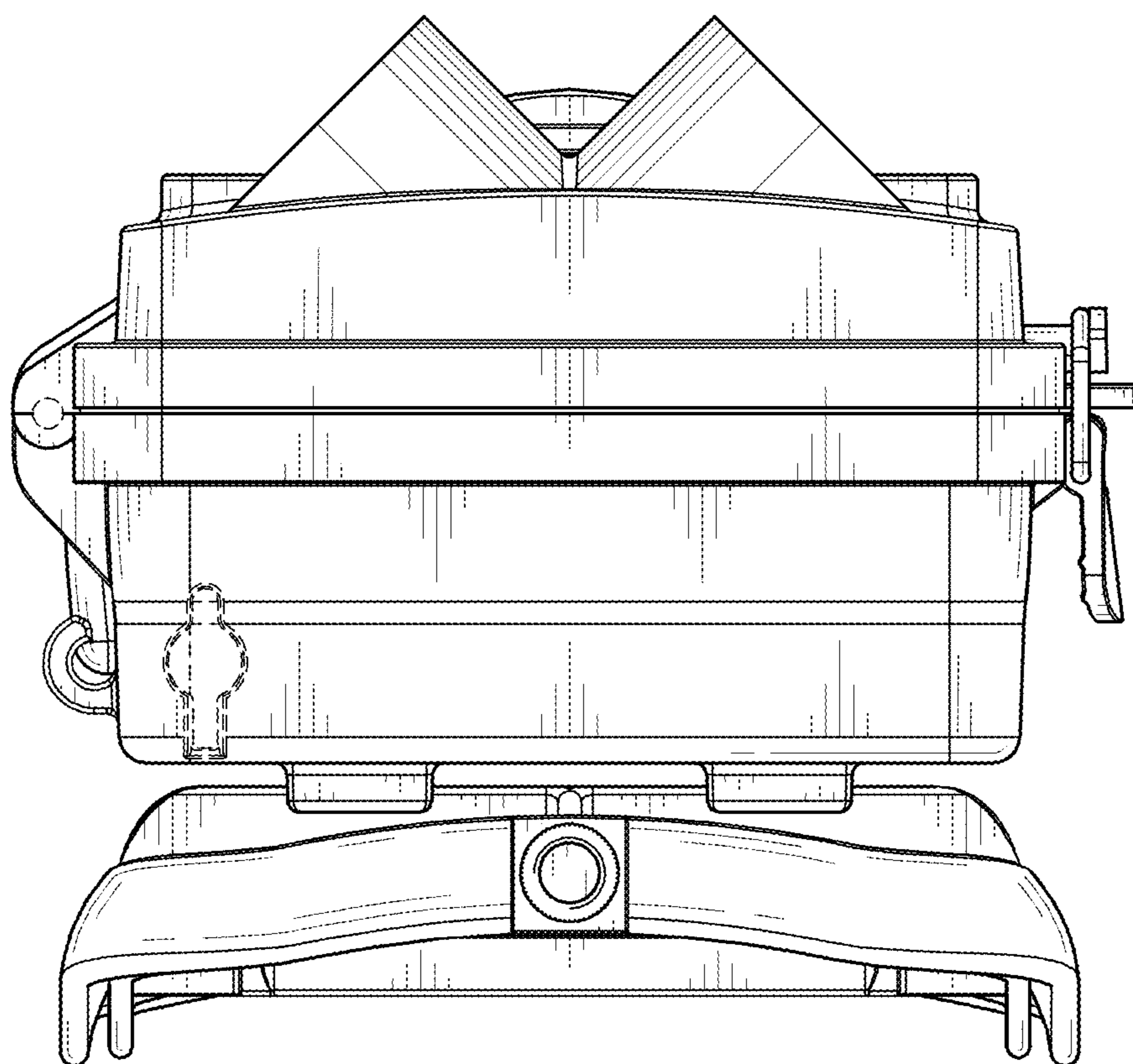


FIG. 7

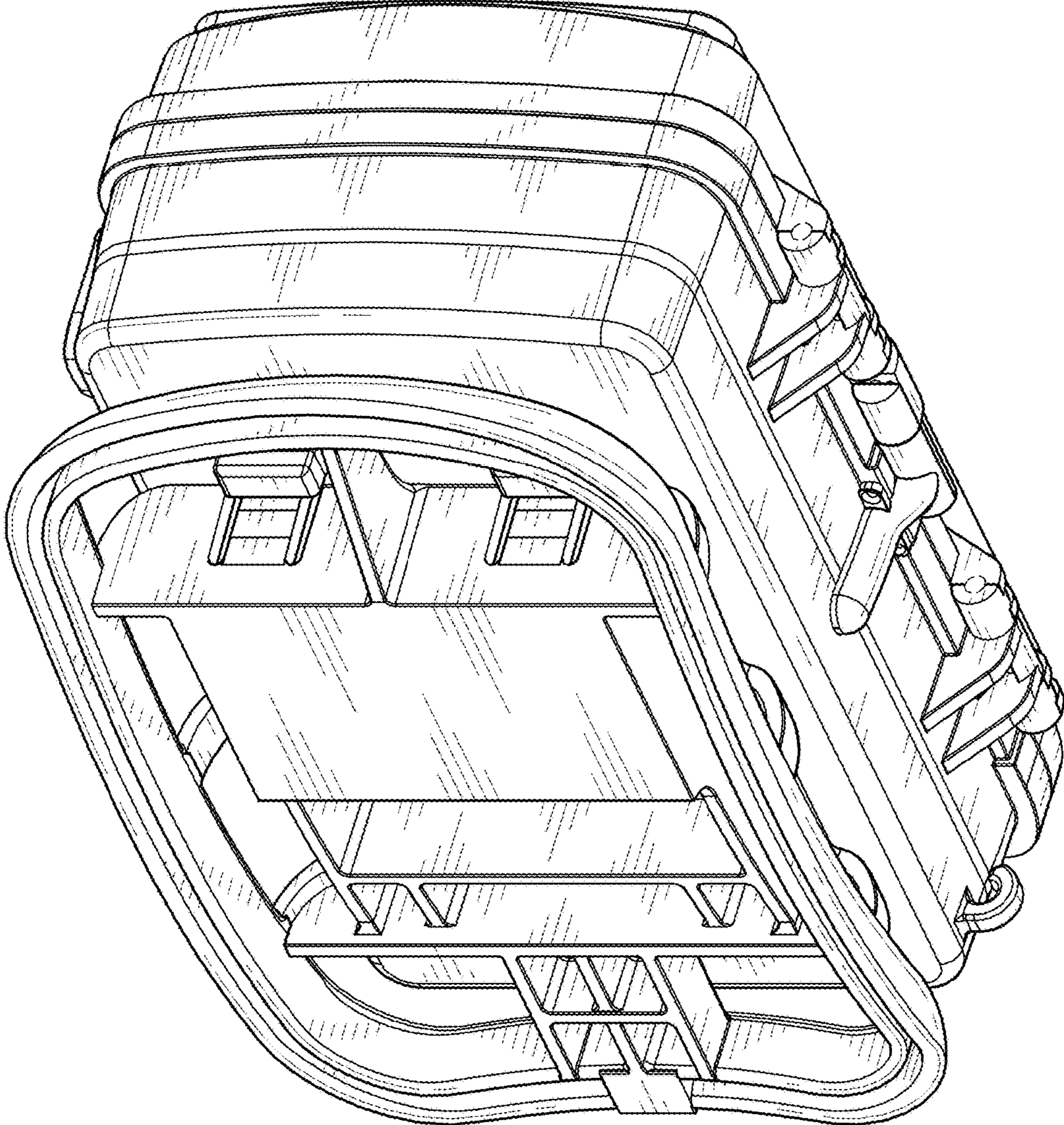


FIG. 8