



US00D833505S

(12) **United States Design Patent**
Hu

(10) **Patent No.:** **US D833,505 S**

(45) **Date of Patent:** **** Nov. 13, 2018**

(54) **SPORTS CAMERA**

(71) Applicant: **Shenzhen Baker AV Digital Technology Co., Ltd., Shenzhen (CN)**

(72) Inventor: **Zhi Hui Hu, Shenzhen (CN)**

(**) Term: **15 Years**

(21) Appl. No.: **29/577,371**

(22) Filed: **Sep. 13, 2016**

(51) **LOC (11) Cl.** **16-01**

(52) **U.S. Cl.**

USPC **D16/218**; D16/202

(58) **Field of Classification Search**

USPC D16/200–220, 229, 230, 242, 244, 245,
D16/238, 225; D14/496, 203.1, 203.3,
D14/203.7; D28/41

CPC H04N 7/181; H04N 7/183; H04N 7/18;
H04N 3/08; H04N 5/23248; H04N
5/23287; H04N 5/23258; H04N 5/2251;
H04N 5/2252; H04N 2007/145; H04N
7/00; G01C 11/025; G02B 5/00; G03B
15/00; G03B 15/03; G03B 17/56; G03B
17/02; G03B 17/30; G03B 17/04; G03B
17/00; G03B 19/04; G03B 3/00; B60R
1/00; B60R 2300/105; G08B 13/19619;
G08B 13/1963; G08B 13/19632; G08B
13/19621; F16M 11/04; F16M 13/00;
Y02E 60/12

See application file for complete search history.

(56) **References Cited**

U.S. PATENT DOCUMENTS

8,870,475 B1 * 10/2014 Bennett G03B 17/561
396/419
9,004,783 B1 * 4/2015 Woodman F16M 11/00
396/419
D737,879 S * 9/2015 Woodman D16/218
D750,686 S * 3/2016 Chen D16/218
D751,131 S * 3/2016 Woodman D16/218

D753,749 S * 4/2016 Zhu D16/202
D760,309 S * 6/2016 Parfitt D16/202
9,360,742 B1 * 6/2016 Harrison G03B 17/561
9,395,031 B1 * 7/2016 Clearman F16M 11/04

(Continued)

FOREIGN PATENT DOCUMENTS

CN 304057287 * 2/2017
EM 003294164-0001 * 7/2016

(Continued)

OTHER PUBLICATIONS

Sports SV SJ5000 vs SJ4000, announced Nov. 2, 2014 [online],
[Site visited Aug. 5, 2015] Available from Internet, URL: <<https://www.youtube.com/watch?v=v5Jme6LEIWU>> at approximately 0:13.*

(Continued)

Primary Examiner — Barbara Fox

Assistant Examiner — Mary C Ramirez

(74) *Attorney, Agent, or Firm* — Prakash Nama; Global IP Services, PLLC

(57) **CLAIM**

The ornamental design for a sports camera, as shown and described.

DESCRIPTION

FIG. 1 is a front elevational view of a sports camera showing my new design;

FIG. 2 is a rear elevational view thereof;

FIG. 3 is a left side view thereof;

FIG. 4 is a right side view thereof;

FIG. 5 is a top plan view thereof;

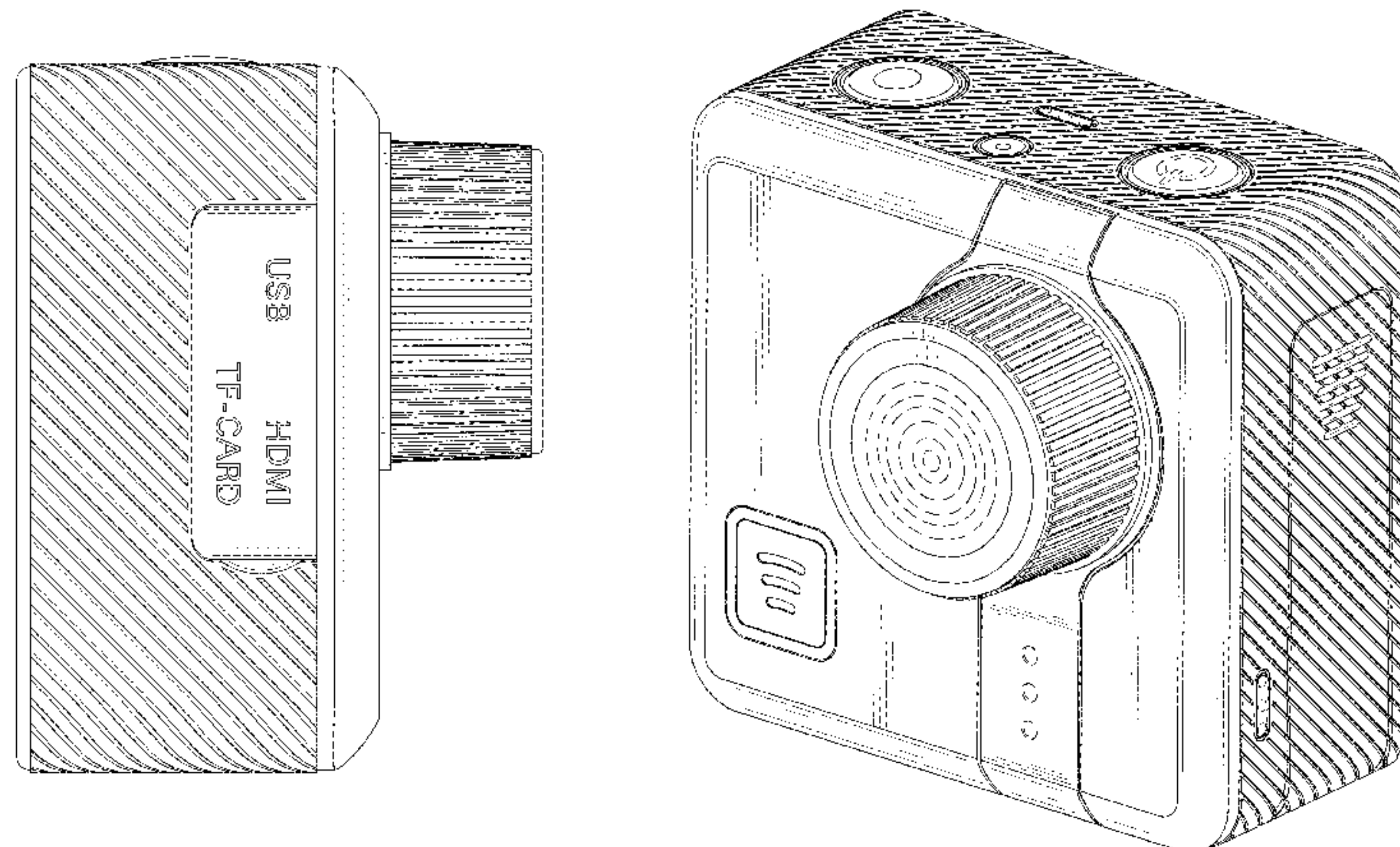
FIG. 6 is a bottom plan view thereof;

FIG. 7 is a right, rear perspective view thereof; and,

FIG. 8 is a left, rear perspective view thereof.

The broken lines shown in the drawings depict portions of the sports camera that form no part of the claimed design.

1 Claim, 8 Drawing Sheets



(56)

References Cited

U.S. PATENT DOCUMENTS

D766,351 S * 9/2016 Li D16/202
 D769,346 S * 10/2016 Nguyen D16/218
 D773,546 S * 12/2016 Nguyen D16/218
 D775,254 S * 12/2016 Parfitt D16/202
 D785,695 S * 5/2017 Woodman D16/219
 D789,435 S * 6/2017 Nguyen D16/202
 D790,001 S * 6/2017 Parfitt D16/202
 D790,002 S * 6/2017 Nguyen D16/218
 D791,848 S * 7/2017 Zhu D16/200
 D793,463 S * 8/2017 Houin D16/202
 D794,695 S * 8/2017 Zhang D16/218
 D794,696 S * 8/2017 Nguyen D16/218
 D798,929 S * 10/2017 Zhou D16/200
 D800,202 S * 10/2017 Hu D16/218
 D806,155 S * 12/2017 Parfitt D16/202
 D816,753 S * 5/2018 Zhang D16/202
 2016/0100083 A1 * 4/2016 Harrison H04N 5/2252
 348/373

2016/0119516 A1* 4/2016 Clearman G03B 17/561
 348/373
 2017/0195550 A1* 7/2017 Kim G06F 3/0483
 2017/0195573 A1* 7/2017 Tisch H04N 5/23258

FOREIGN PATENT DOCUMENTS

EM 003367150-0001 * 9/2016
 EM 003389717-0001 * 10/2016

OTHER PUBLICATIONS

ProCam Sports Action Camera, announced Jul. 14, 2017 [online],
 [Site visited Aug. 5, 2015] Available from Internet, URL: <<https://bodeaz.com/products/action-camera-12mp-waterproof-30m-ip68-sports-action-cam-full-hd-720p-1-5-inch-sports-video-camera?variant=32909730442>>.*
 Sports Camera Ourlife, announced Dec. 9, 2016 [online], [Site
 visited Aug. 5, 2015] Available from Internet, URL: <https://www.amazon.com/dp/B01M71QX4V/ref=psdc_7161074011_t2_B01MDVIBYZ>.*

* cited by examiner

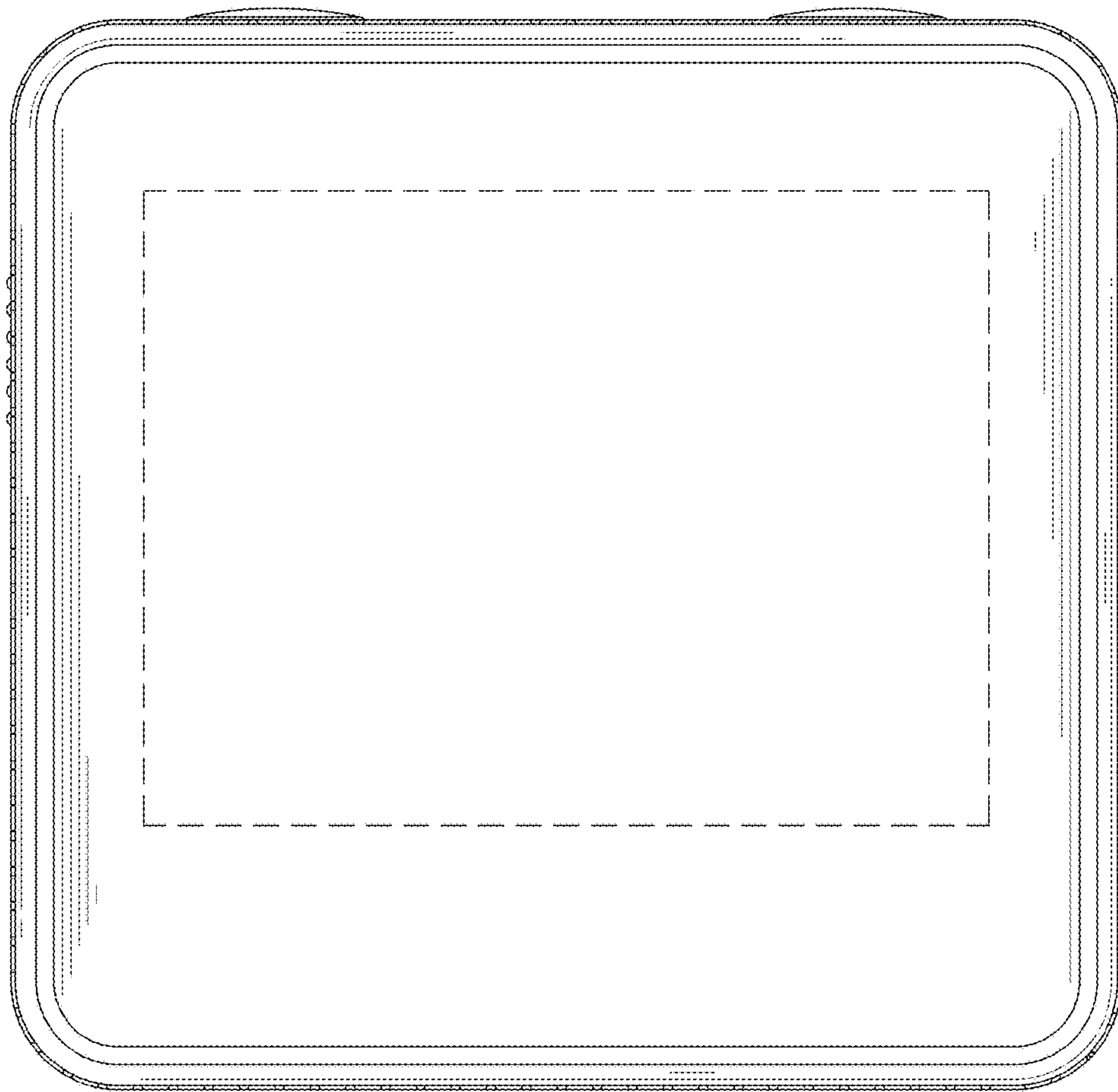


FIG. 1

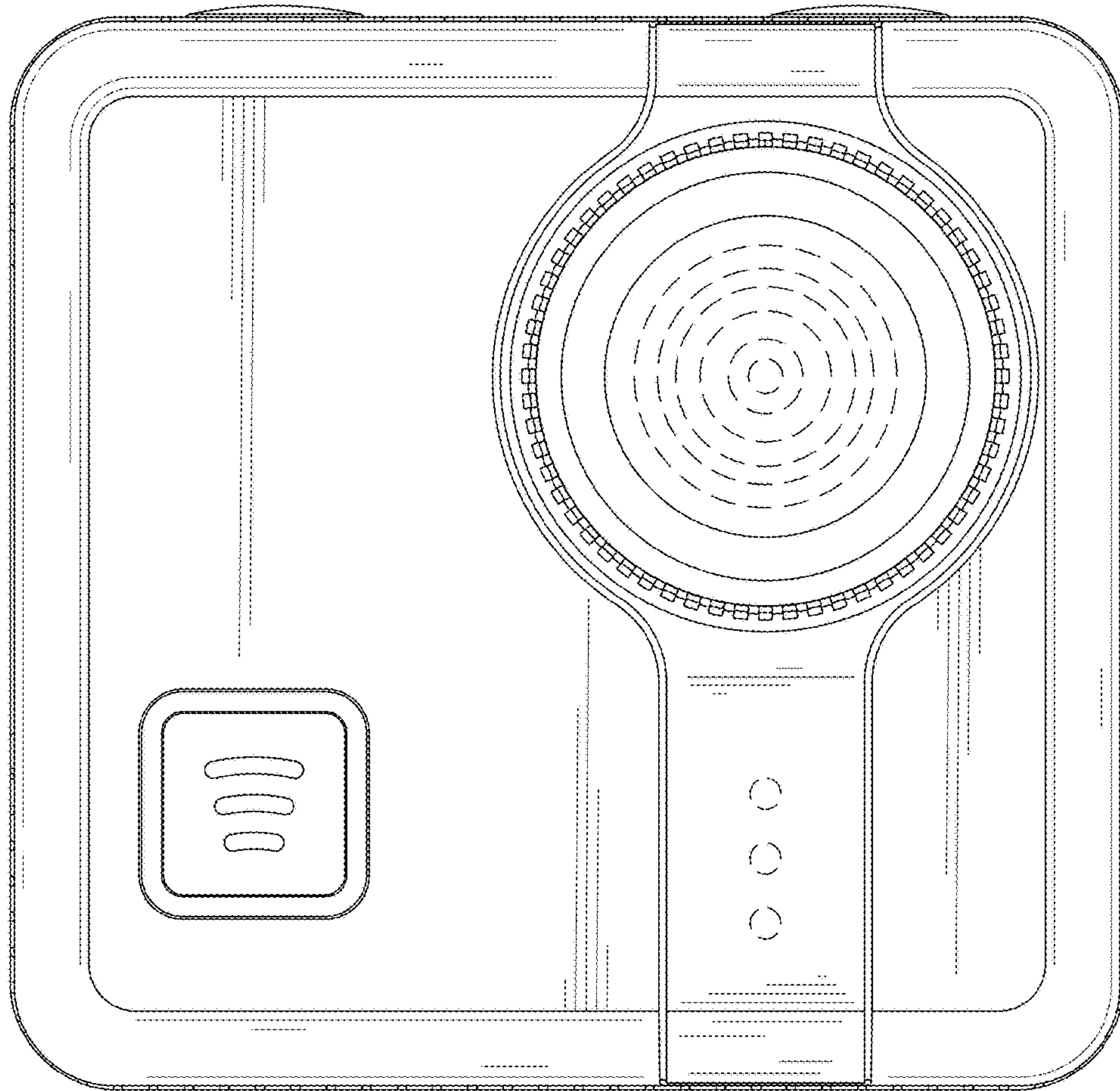


FIG. 2

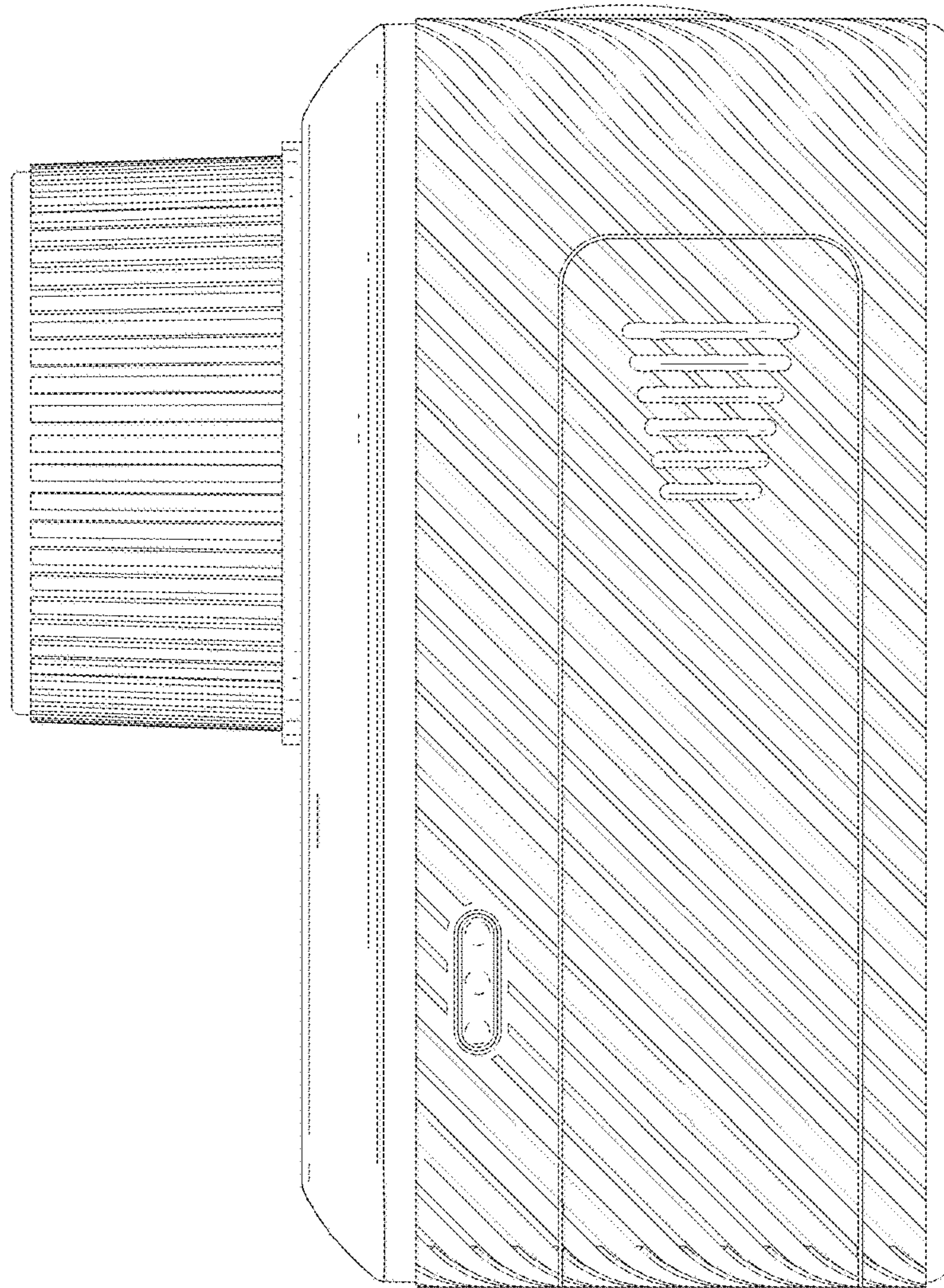


FIG. 3

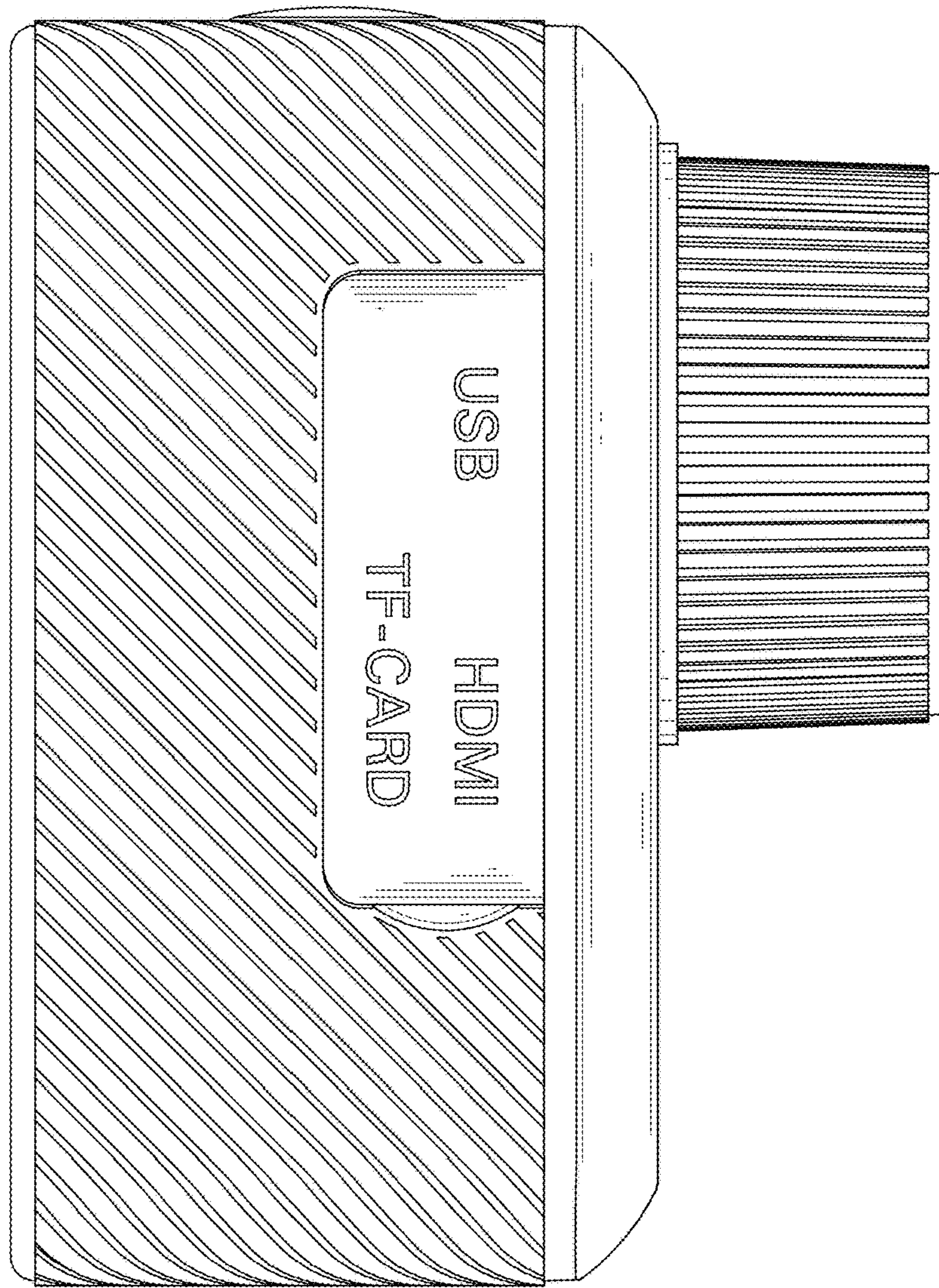


FIG. 4

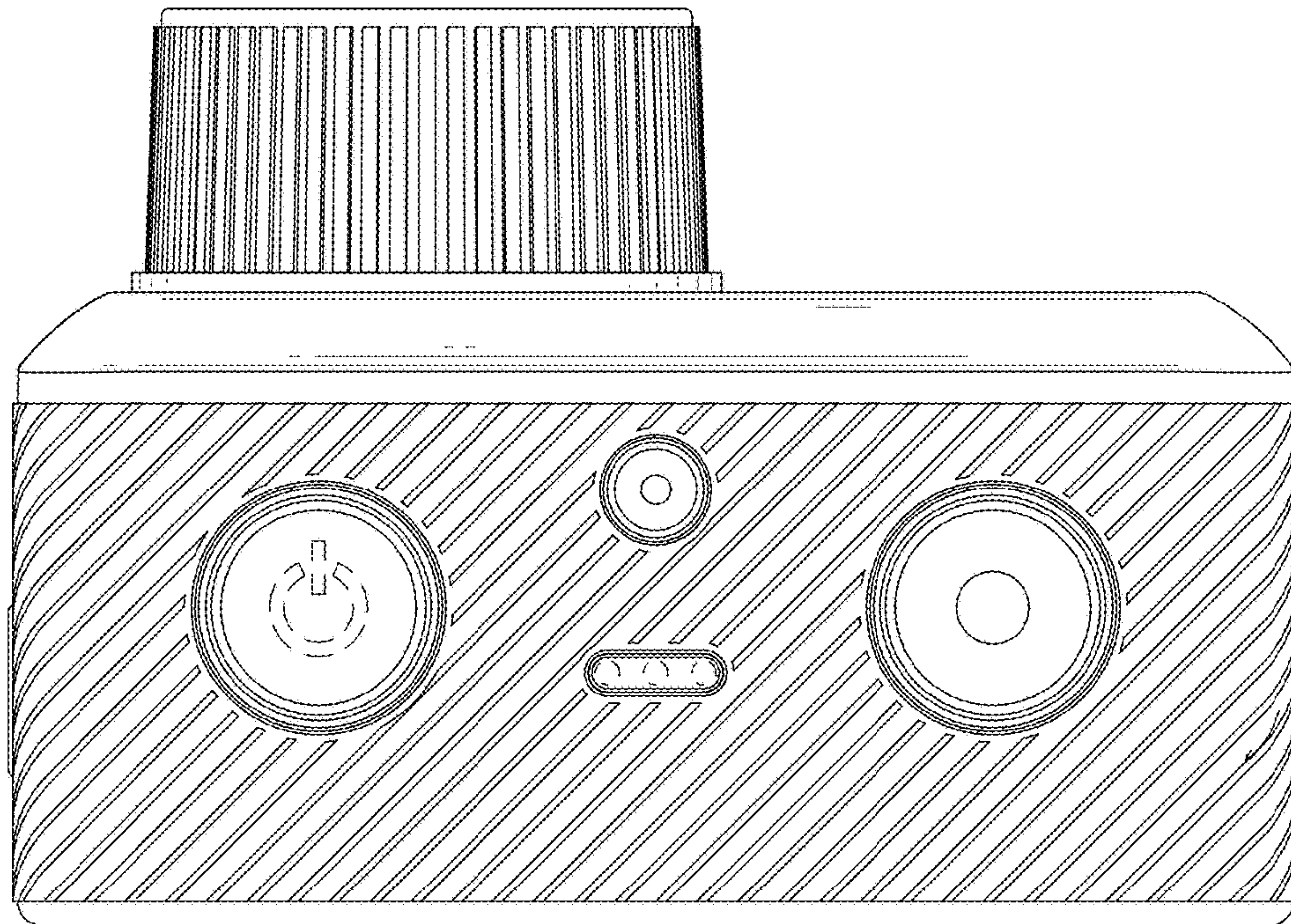


FIG. 5

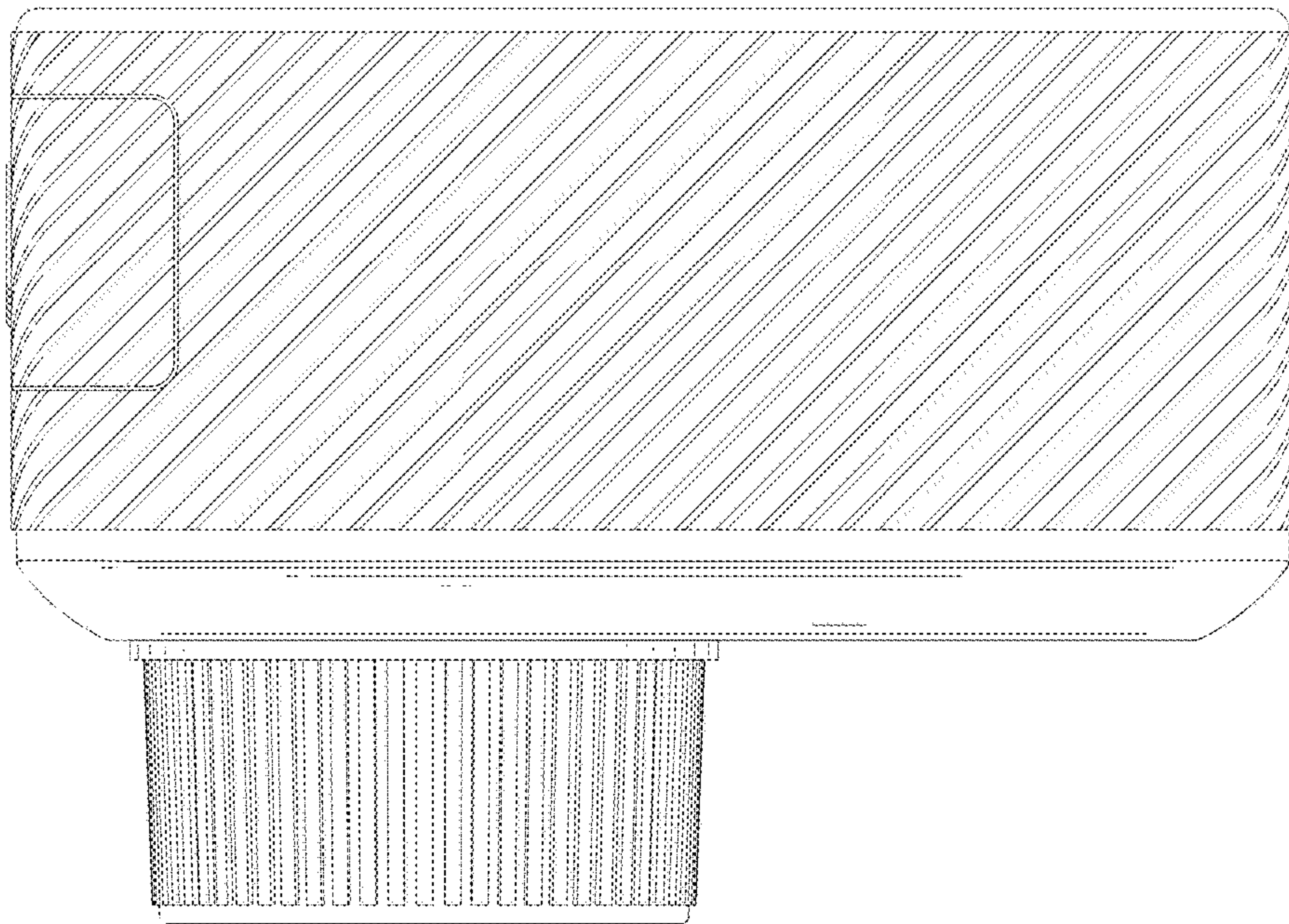


FIG. 6

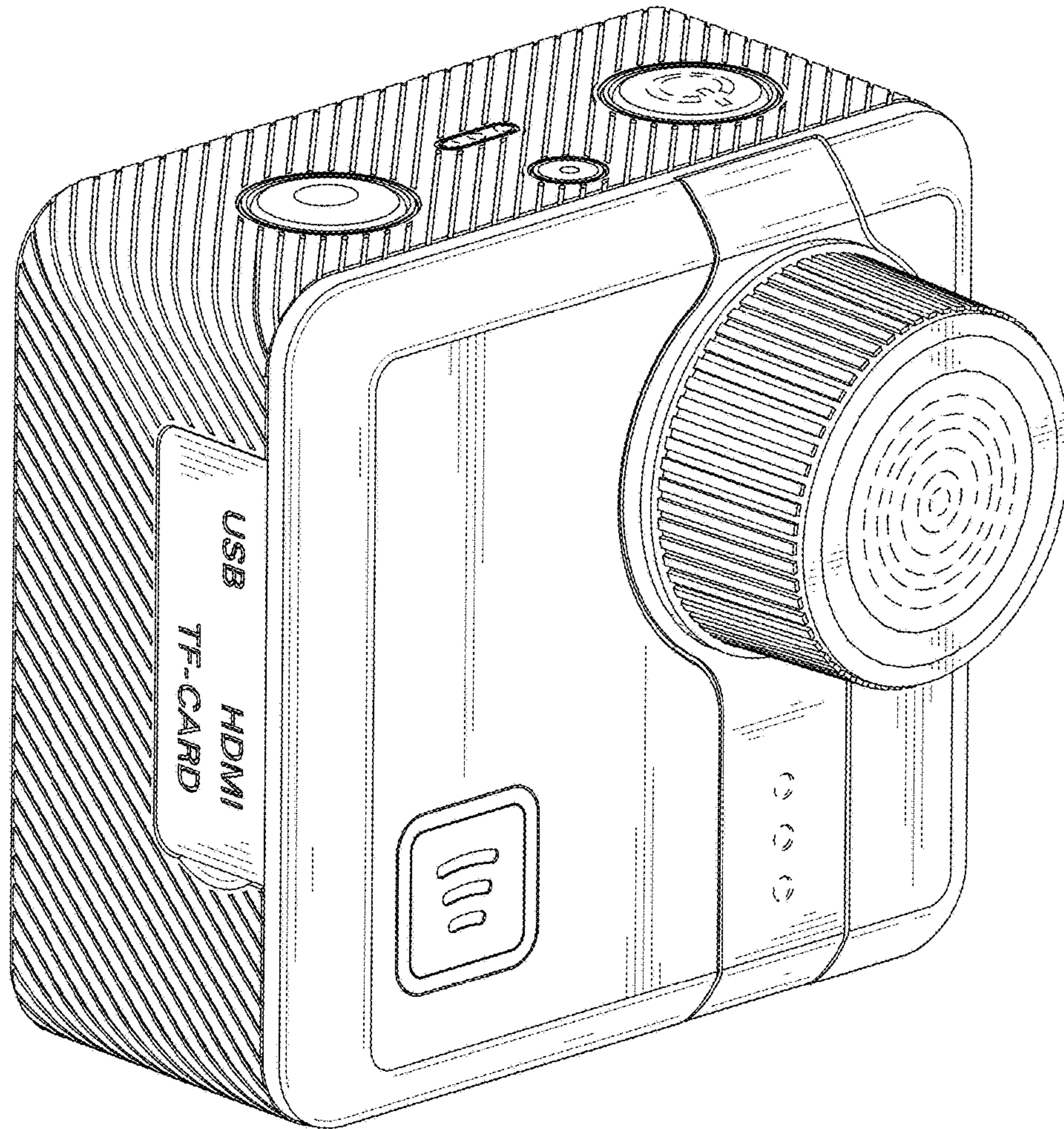


FIG. 7

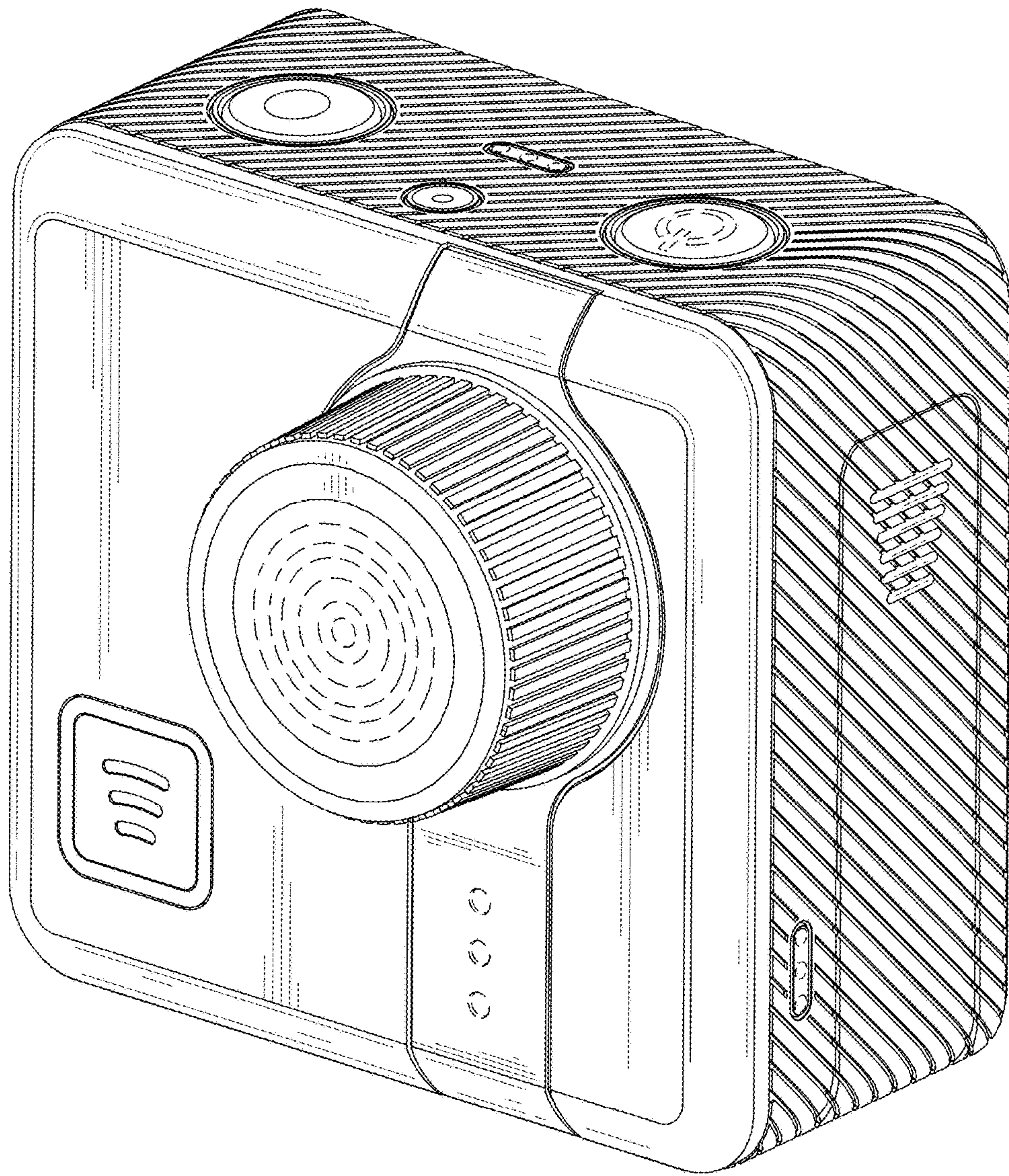


FIG. 8