



US00D833502S

(12) **United States Design Patent**  
**Asakawa**

(10) **Patent No.:** **US D833,502 S**

(45) **Date of Patent:** **\*\* Nov. 13, 2018**

(54) **MONITORING CAMERA**

(71) Applicant: **NIDEC SANKYO CORPORATION**,  
Suwa-gun, Nagano (JP)

(72) Inventor: **Shinroku Asakawa**, Nagano (JP)

(73) Assignee: **NIDEC SANKYO CORPORATION**,  
Nagano (JP)

(\*\*) Term: **15 Years**

(21) Appl. No.: **29/545,267**

(22) Filed: **Nov. 11, 2015**

(30) **Foreign Application Priority Data**

May 11, 2015 (JP) ..... 2015-010134

(51) **LOC (11) Cl.** ..... **16-01**

(52) **U.S. Cl.**  
USPC ..... **D16/203**

(58) **Field of Classification Search**  
USPC ..... D16/200, 202–206, 218, 219, 242;  
348/143, 148, 151, 373–376; 396/419,  
396/427, 535, 539–541  
CPC ..... G03B 17/02; G03B 19/04; G03B 17/56;  
G03B 17/04; G03B 15/03; H04N 5/2251;  
H04N 5/2252; H04N 5/2253; H04N  
5/2254; H04N 7/181; H04N 7/183; H04N  
7/18; G08B 13/1963; G08B 13/19619;  
G08B 13/19632; F16M 11/04; F16M  
13/00

See application file for complete search history.

(56) **References Cited**

**U.S. PATENT DOCUMENTS**

D366,271 S \* 1/1996 Hasegawa ..... D16/203  
D426,844 S \* 6/2000 Fujii ..... D16/202

D446,801 S \* 8/2001 Adachi ..... D16/203  
6,683,654 B1 \* 1/2004 Haijima ..... H04N 5/2252  
348/335  
D524,347 S \* 7/2006 Takahashi ..... D16/202  
D529,063 S \* 9/2006 Cheng ..... D16/203  
7,221,402 B2 \* 5/2007 Cheng ..... H04N 5/2254  
348/375  
D556,804 S \* 12/2007 Ishida ..... D16/202  
D563,448 S \* 3/2008 Yamakawa ..... D16/202  
D565,073 S \* 3/2008 Jeon ..... D16/203  
D613,784 S \* 4/2010 Wang ..... D16/203  
D614,222 S \* 4/2010 Yamakawa ..... D16/203  
D633,543 S \* 3/2011 Park ..... D16/203

\* cited by examiner

*Primary Examiner* — Philip S Hyder

*Assistant Examiner* — Ramzi S Almatrahi

(74) *Attorney, Agent, or Firm* — Cantor Colburn LLP

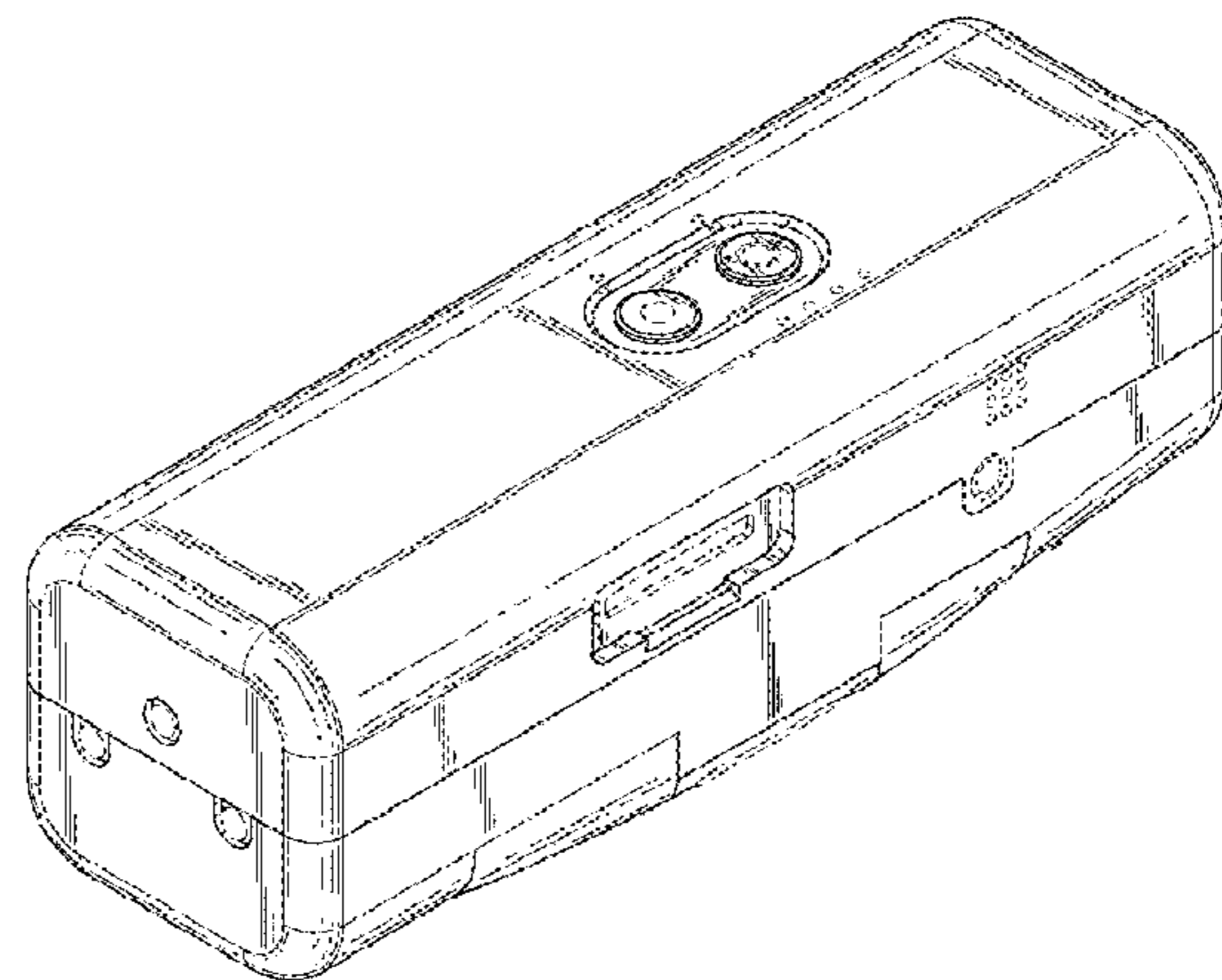
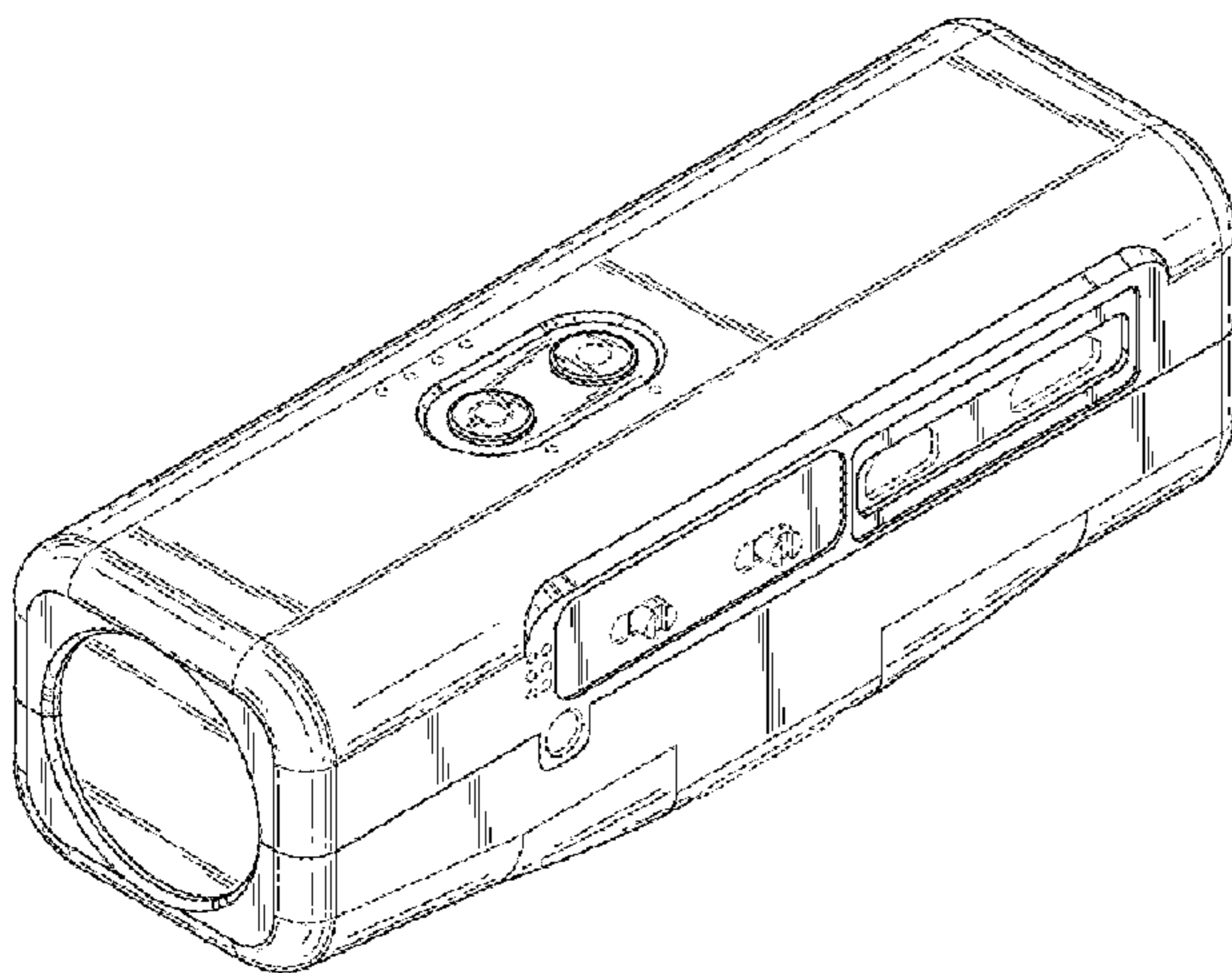
(57) **CLAIM**

The ornamental design for a monitoring camera, as shown and described.

**DESCRIPTION**

FIG. 1 is a front elevation view of a monitoring camera. FIG. 2 is a rear elevation view thereof; FIG. 3 is a left-side elevation view thereof; FIG. 4 is a right-side elevation view thereof; FIG. 5 is a top plan view thereof; FIG. 6 is a bottom plan view thereof; FIG. 7 is a front perspective view thereof; and, FIG. 8 is a rear perspective view thereof. The broken lines in the drawings are for the purpose of illustrating portions of the monitoring camera that form no part of the claimed design.

**1 Claim, 8 Drawing Sheets**



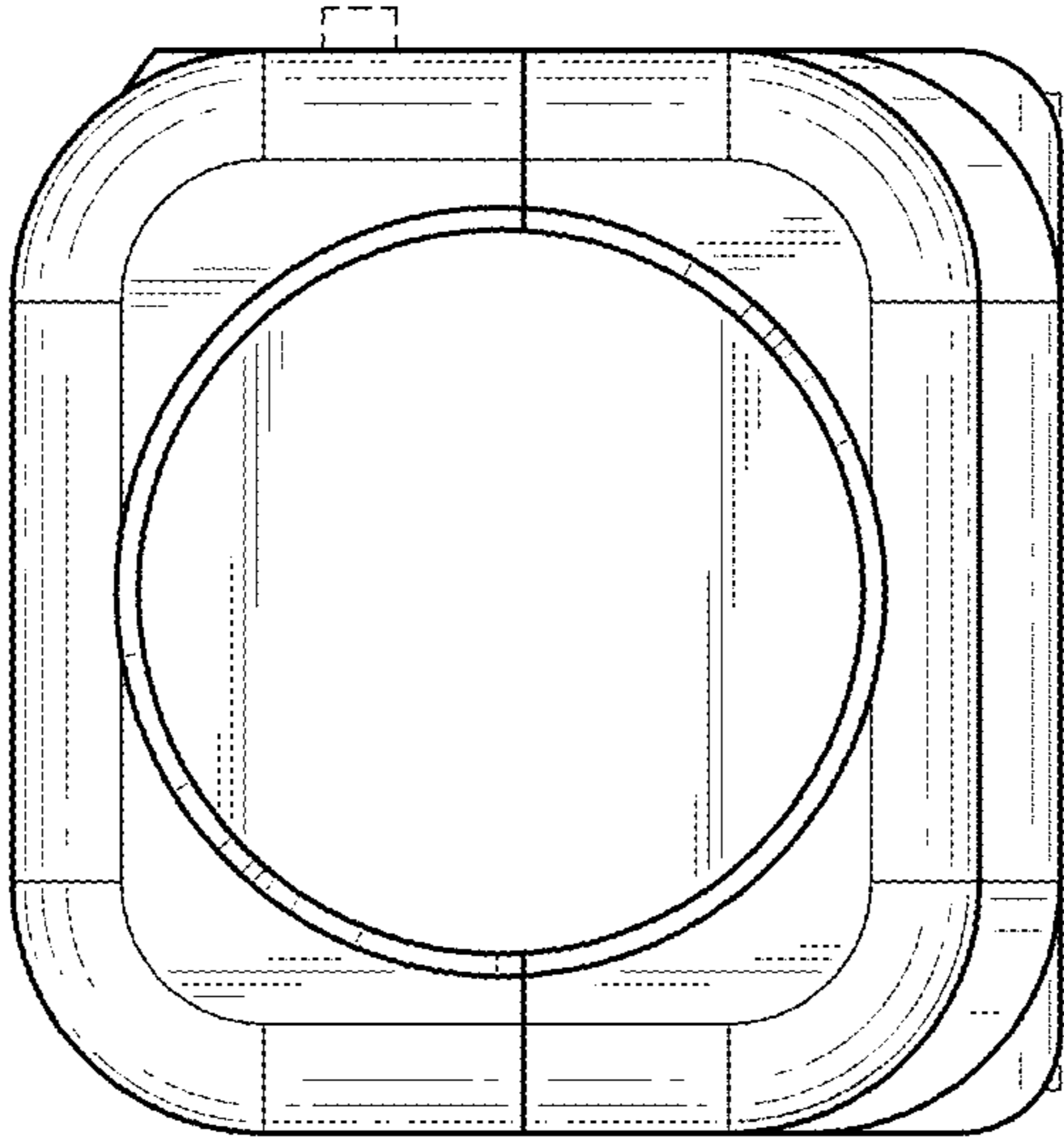


FIG. 1

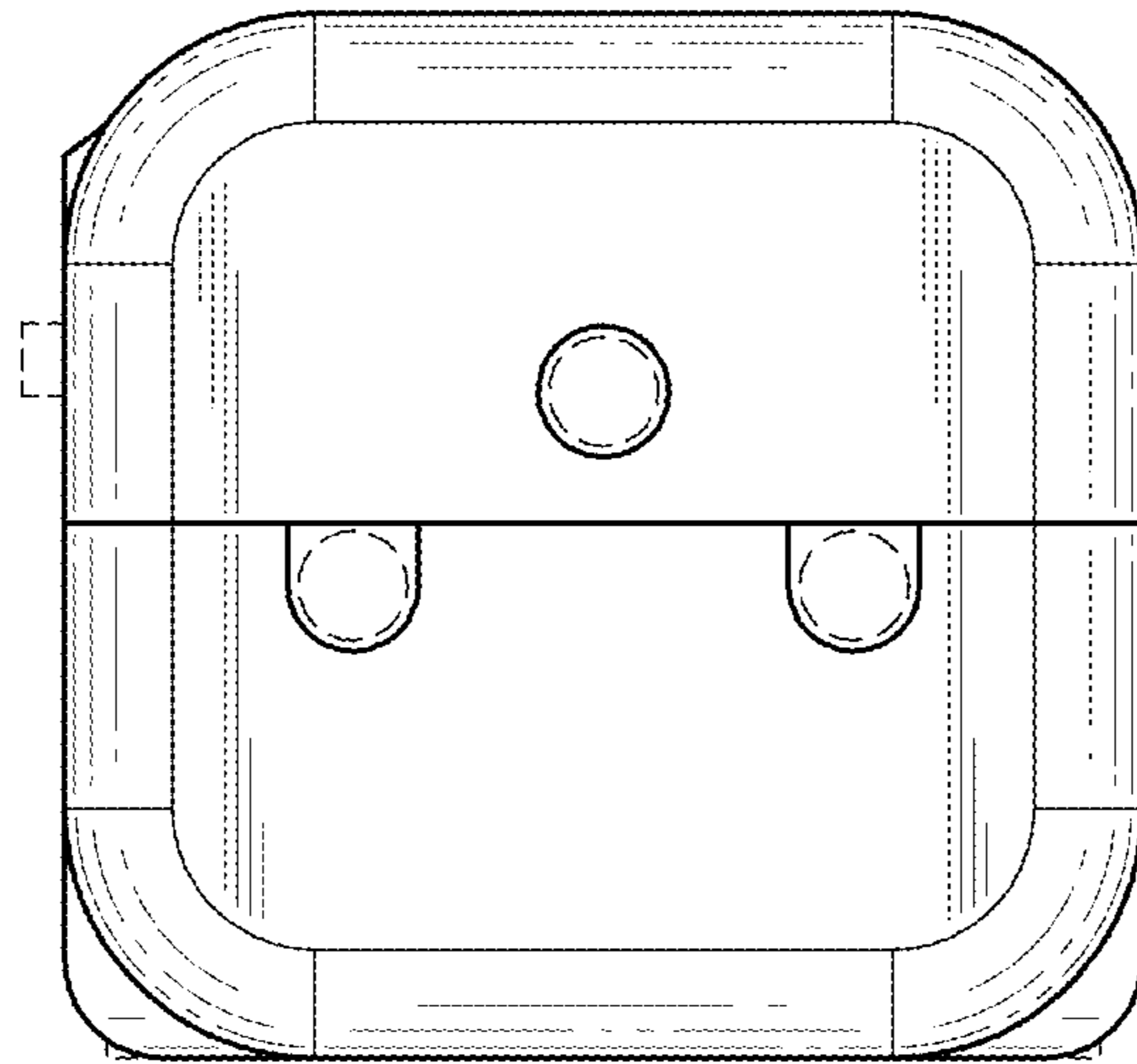


FIG. 2

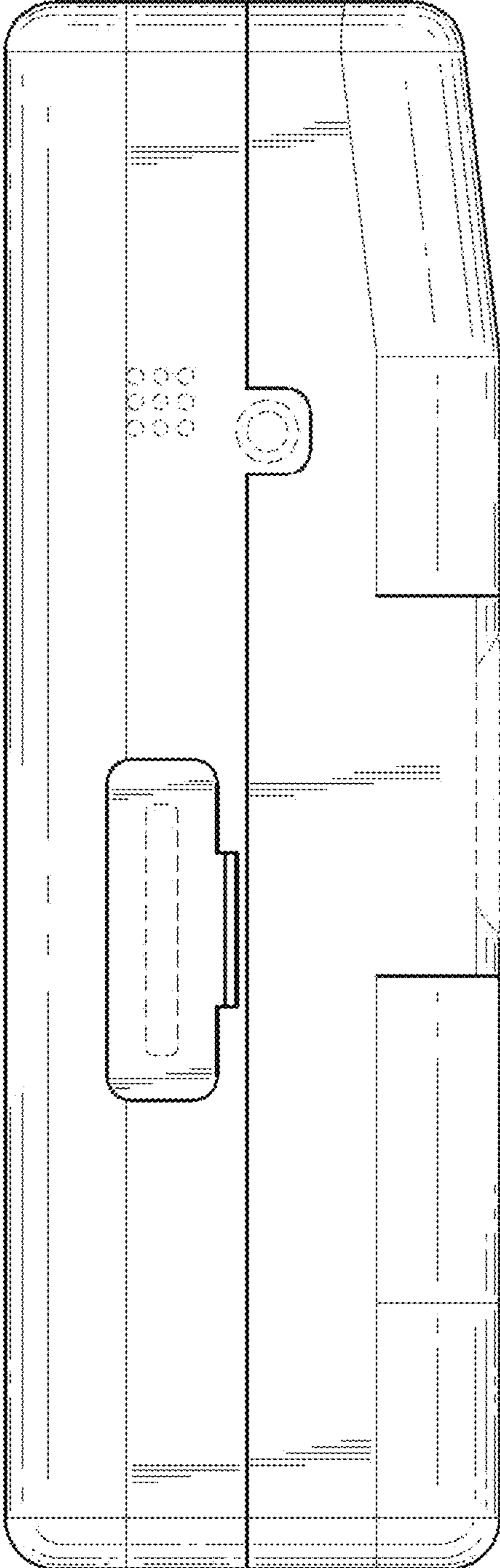


FIG. 3

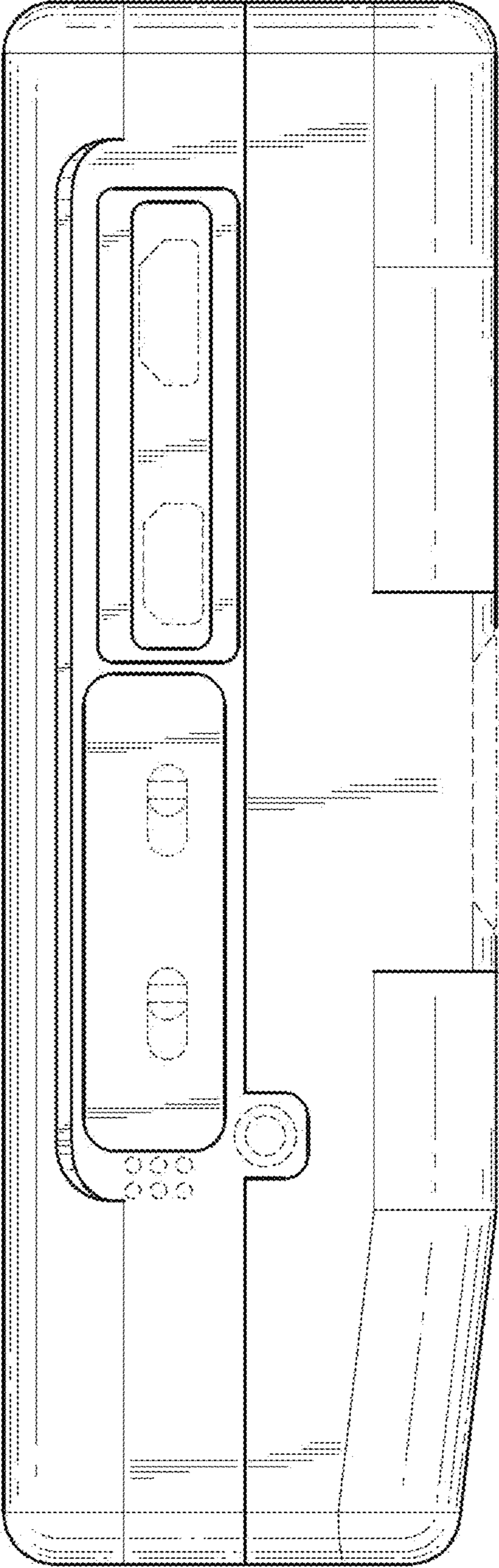


FIG. 4

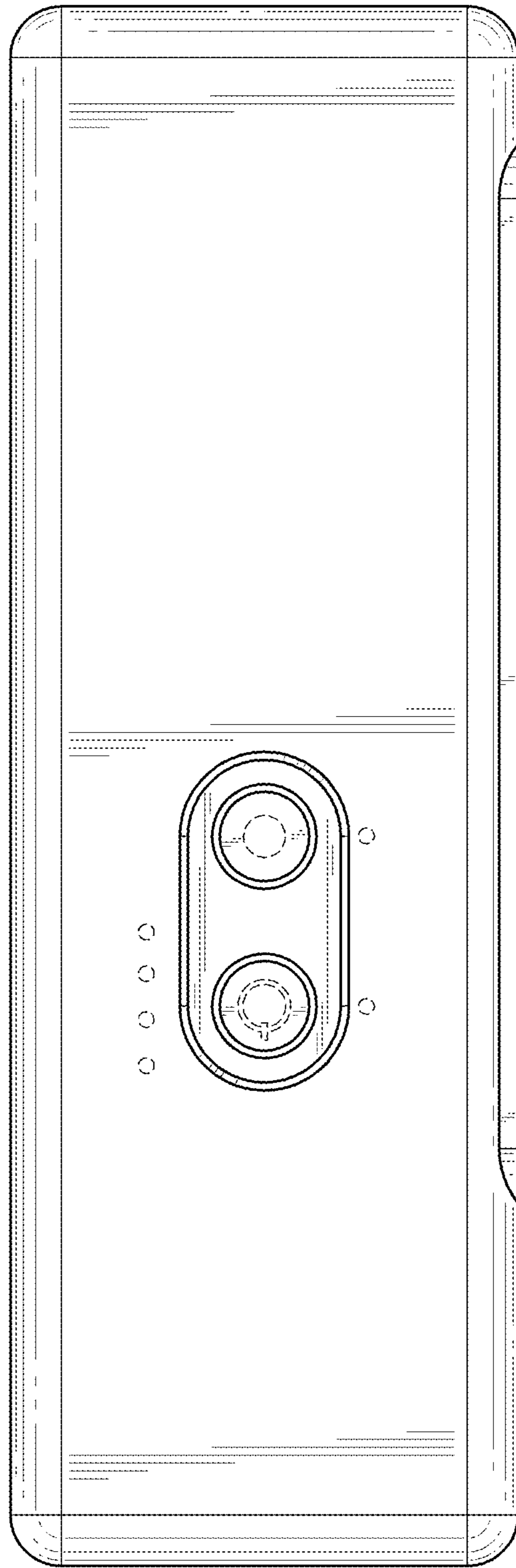


FIG. 5

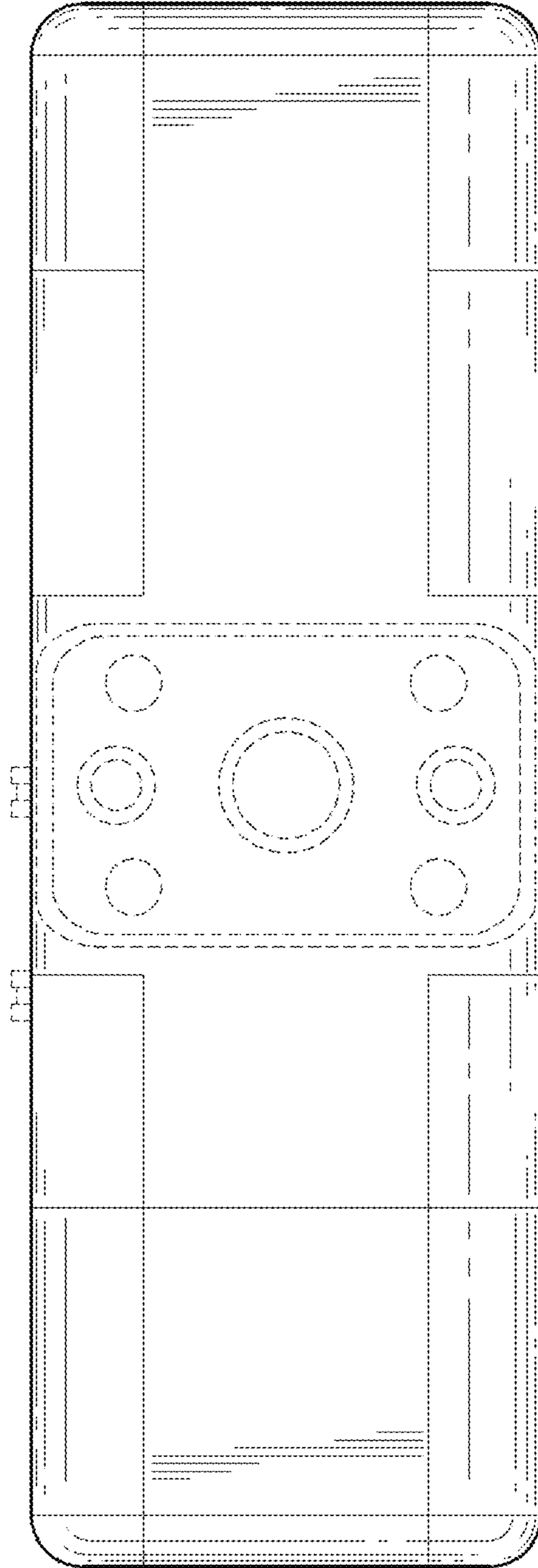


FIG. 6

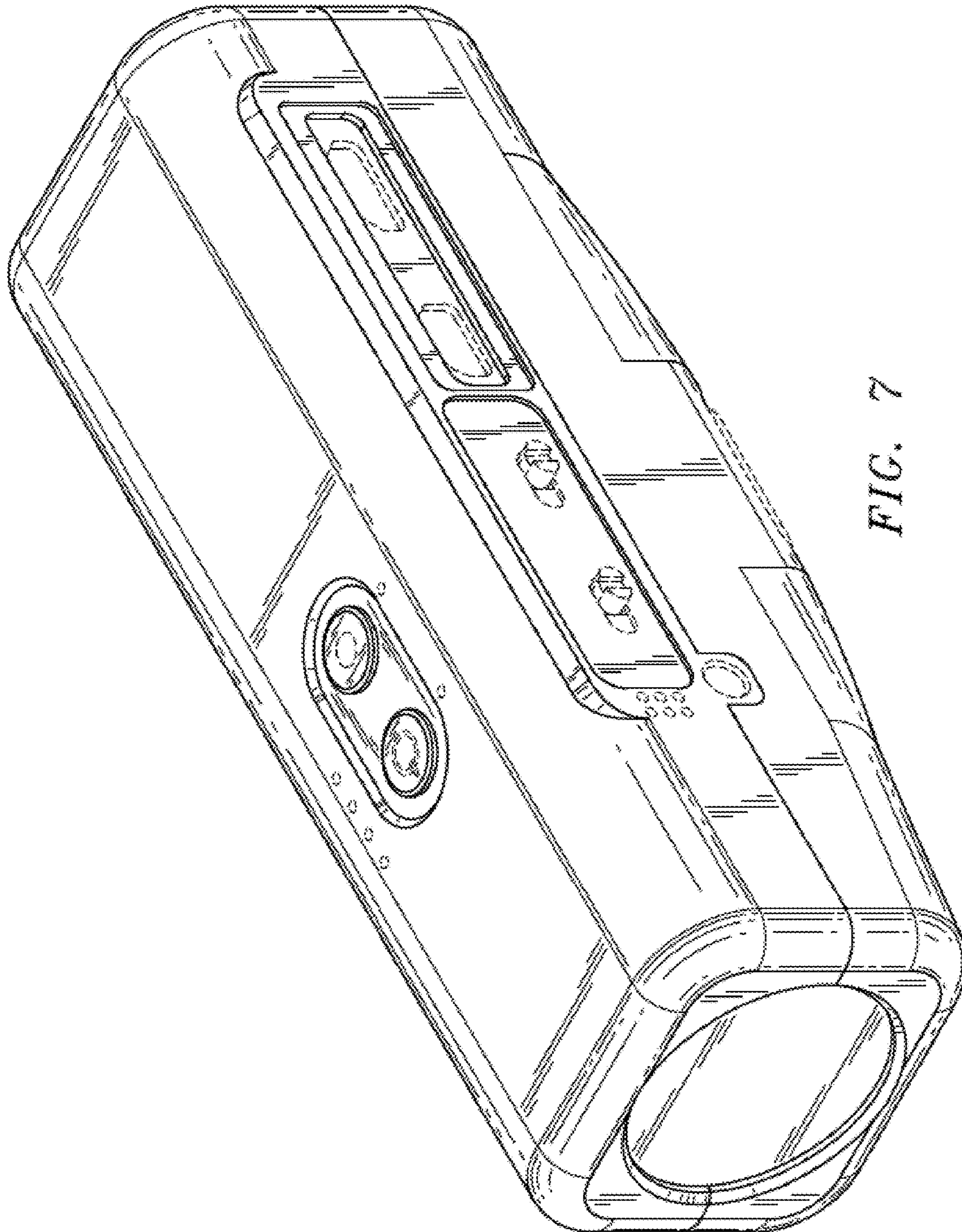


FIG. 7



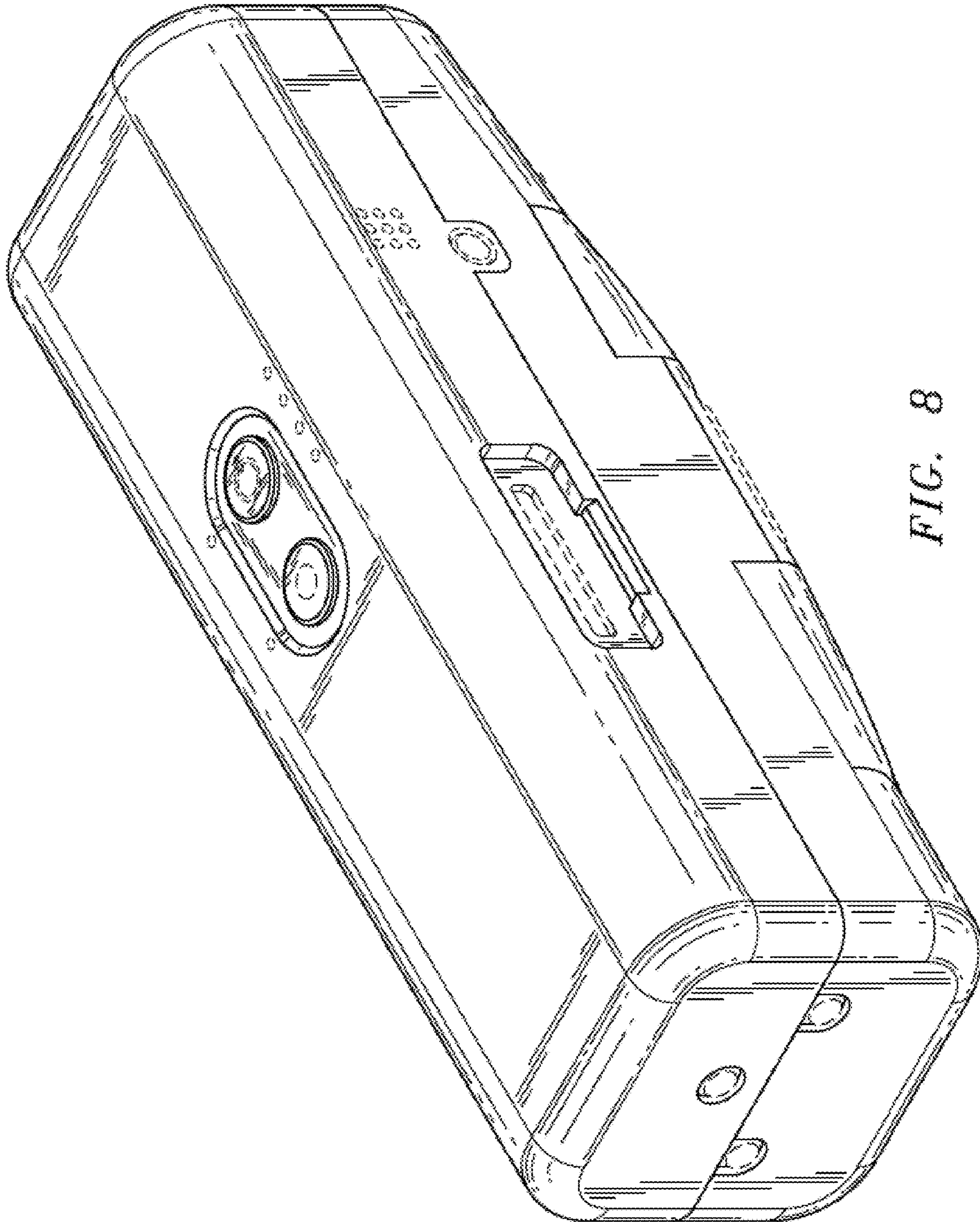


FIG. 8