



US00D833501S

(12) **United States Design Patent**  
**Dominguez**

(10) **Patent No.:** **US D833,501 S**

(45) **Date of Patent:** **\*\* Nov. 13, 2018**

(54) **OPERA GLASSES WITH WATCH**

(71) Applicant: **HARRY WINSTON SA,**  
Plan-les-Ouates (CH)

(72) Inventor: **Emmanuelle Dominguez,** Viry (FR)

(73) Assignee: **Harry Winston SA,** Plan-les-Ouates  
(CH)

(\*\*) Term: **15 Years**

(21) Appl. No.: **29/616,423**

(22) Filed: **Sep. 6, 2017**

(30) **Foreign Application Priority Data**

Mar. 7, 2017 (WO) ..... DM/095 413

(51) **LOC (11) Cl.** ..... **16-06**

(52) **U.S. Cl.**  
USPC ..... **D16/133; D10/31**

(58) **Field of Classification Search**  
USPC ..... D16/130, 132, 133; D22/100, 108;  
D10/31  
CPC .. F41G 3/08; G02B 23/00; G02B 1/00; G02B  
21/00  
See application file for complete search history.

(56) **References Cited**

**U.S. PATENT DOCUMENTS**

D274,915 S \* 7/1984 Keil ..... D16/133  
D351,397 S \* 10/1994 Dor ..... D16/130

D397,127 S \* 8/1998 Chang ..... D16/133  
D424,083 S \* 5/2000 Lee ..... D16/133  
D425,532 S \* 5/2000 Lee ..... D16/133  
D425,922 S \* 5/2000 Huckenbeck ..... D16/133  
D482,711 S \* 11/2003 Kishigami ..... D16/133  
D597,575 S \* 8/2009 Steiner ..... D16/133  
D666,654 S \* 9/2012 Fischbach ..... D16/133  
D816,749 S \* 5/2018 Kung ..... D16/133  
D817,376 S \* 5/2018 Vogl ..... D16/132

\* cited by examiner

*Primary Examiner* — John Windmuller

*Assistant Examiner* — Benjamin M Weeks

(74) *Attorney, Agent, or Firm* — Blank Rome LLP

(57) **CLAIM**

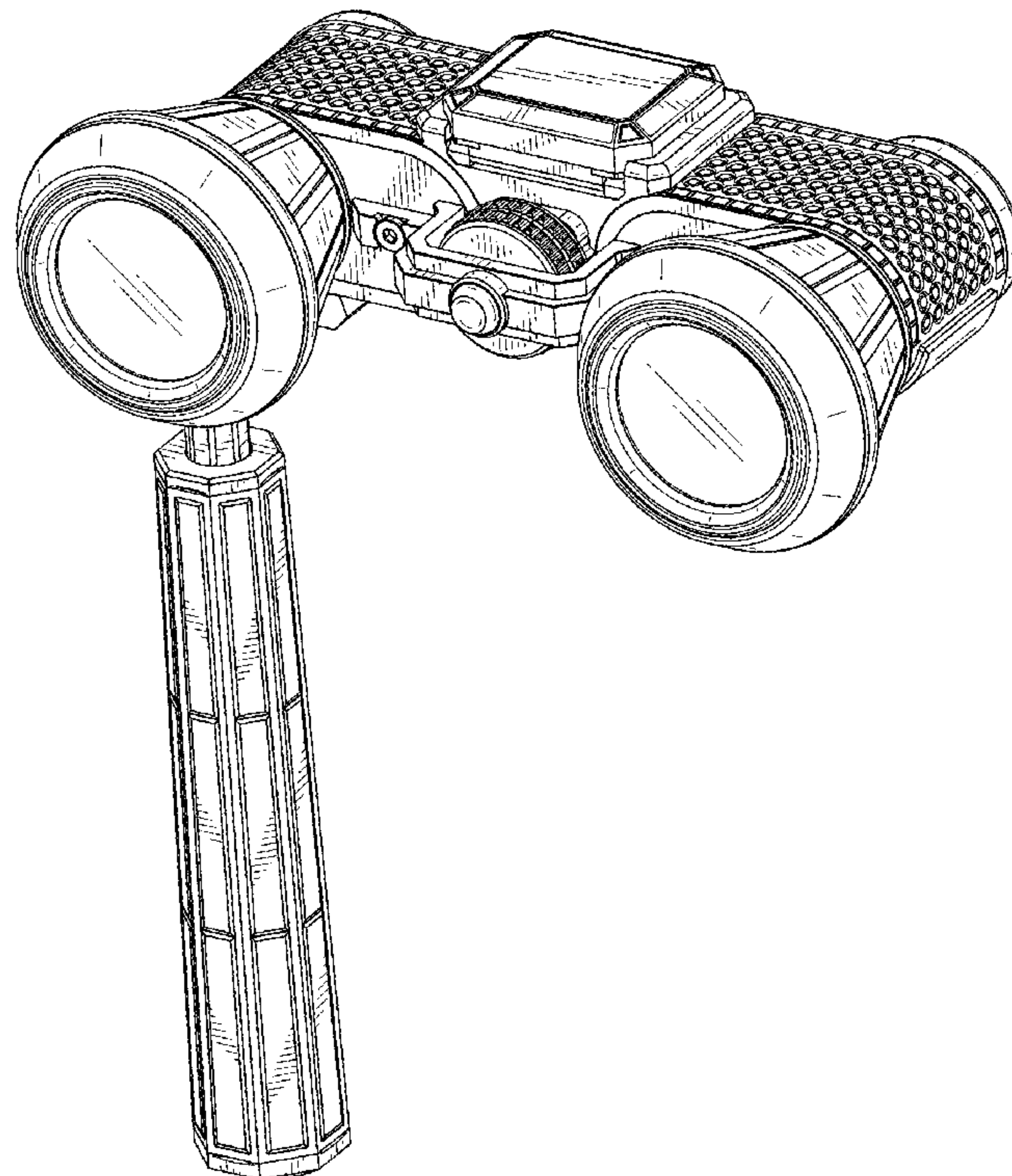
The ornamental design for opera glasses with watch, as shown and described.

**DESCRIPTION**

FIG. 1 is a top front perspective view of opera glasses with watch showing my new design;  
FIG. 2 is a rear top perspective view thereof;  
FIG. 3 is a front view thereof;  
FIG. 4 is a rear view thereof;  
FIG. 5 is a left side view thereof;  
FIG. 6 is a right side view thereof;  
FIG. 7 is a top view thereof; and,  
FIG. 8 is a bottom view thereof.

The portions of the opera glasses with watch shown in broken lines form no part of the claimed design.

**1 Claim, 6 Drawing Sheets**



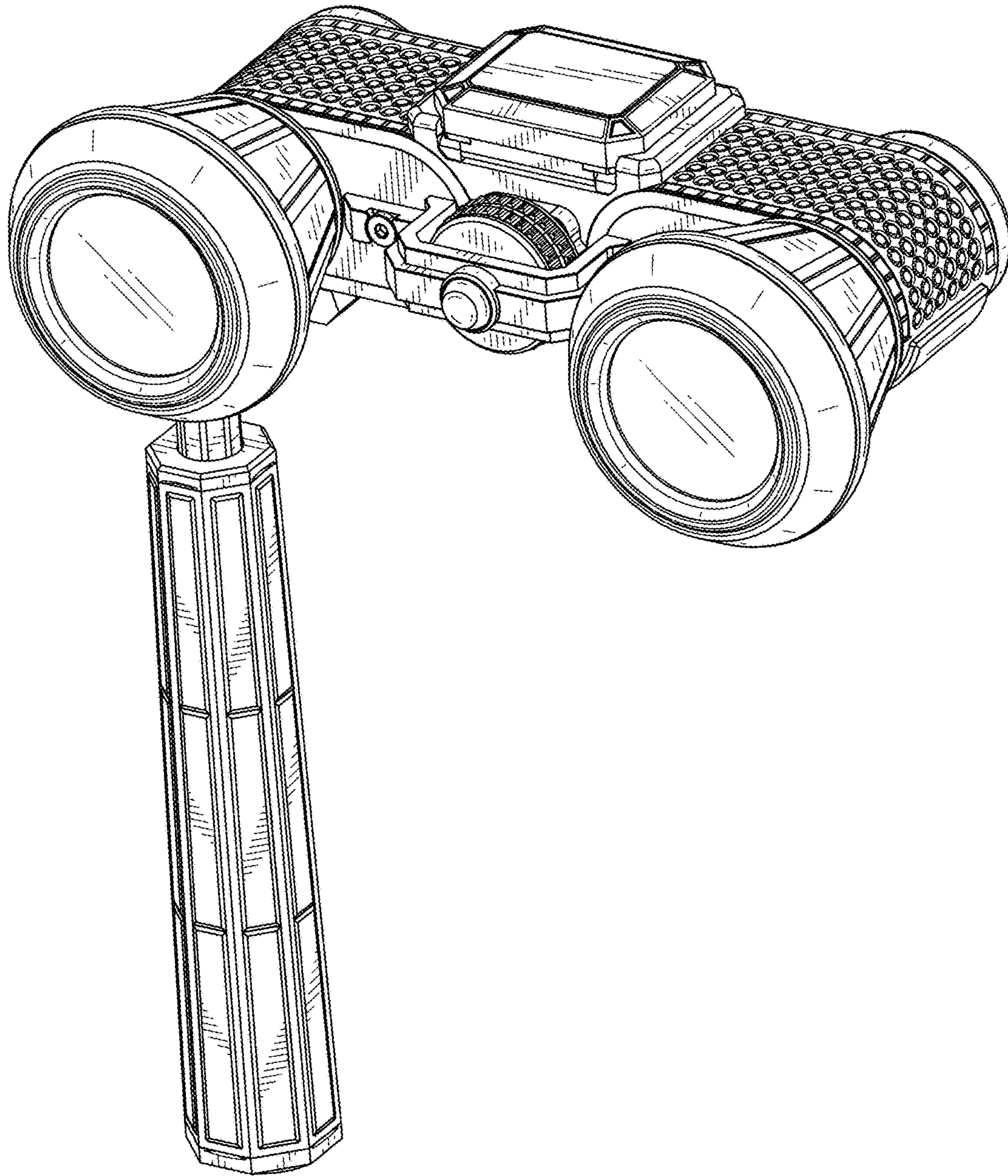


FIG. 1



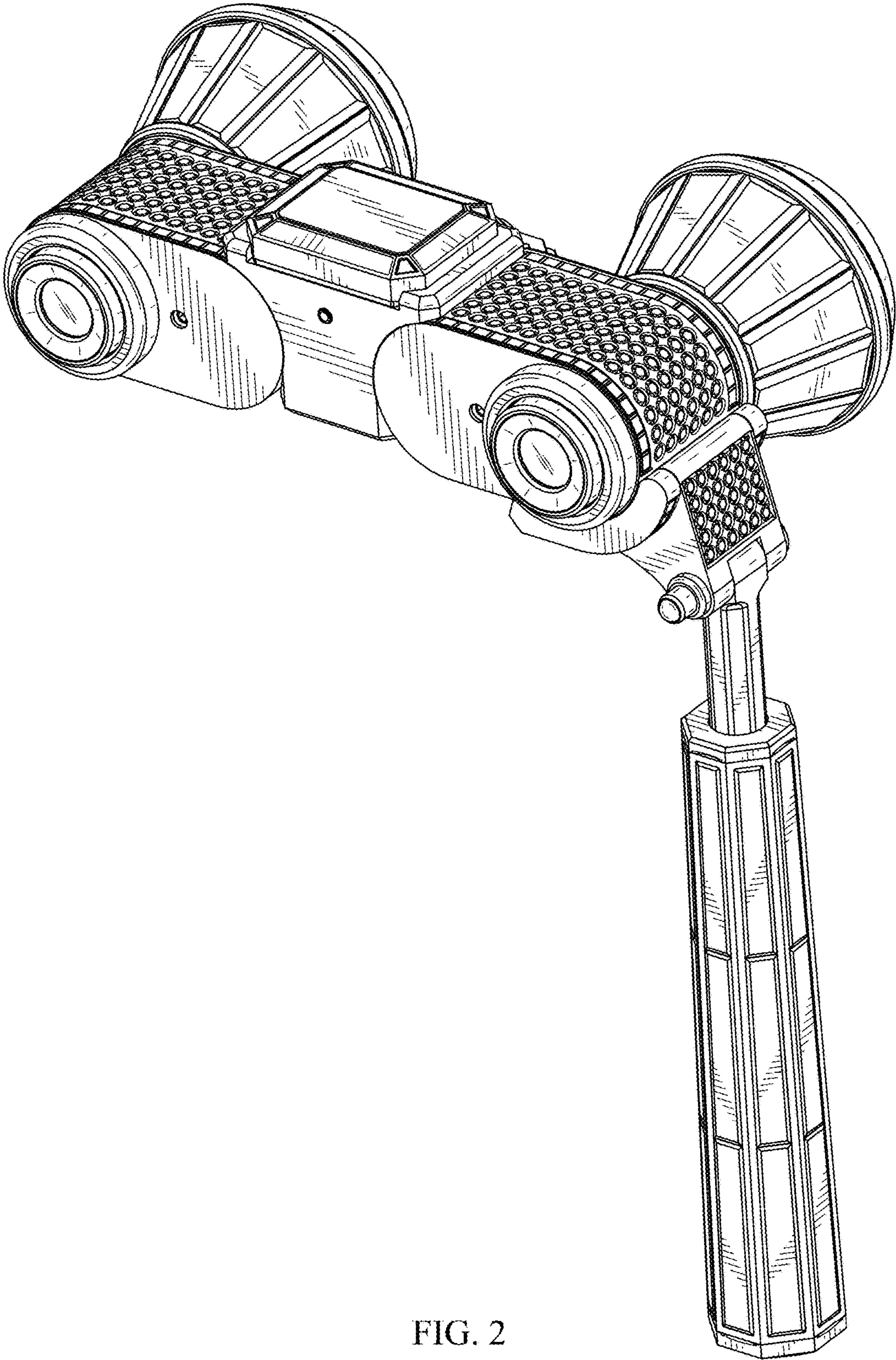


FIG. 2

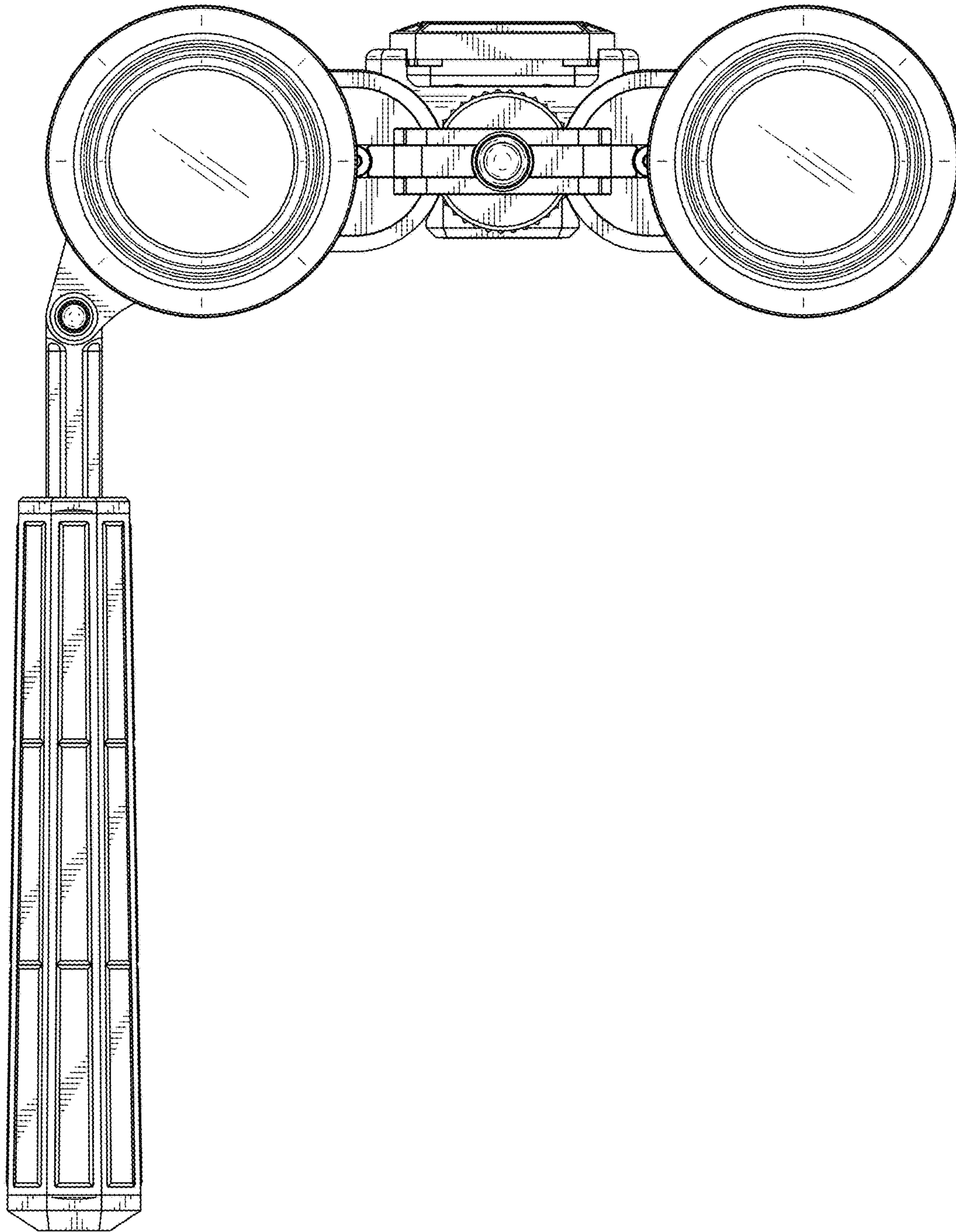


FIG. 3



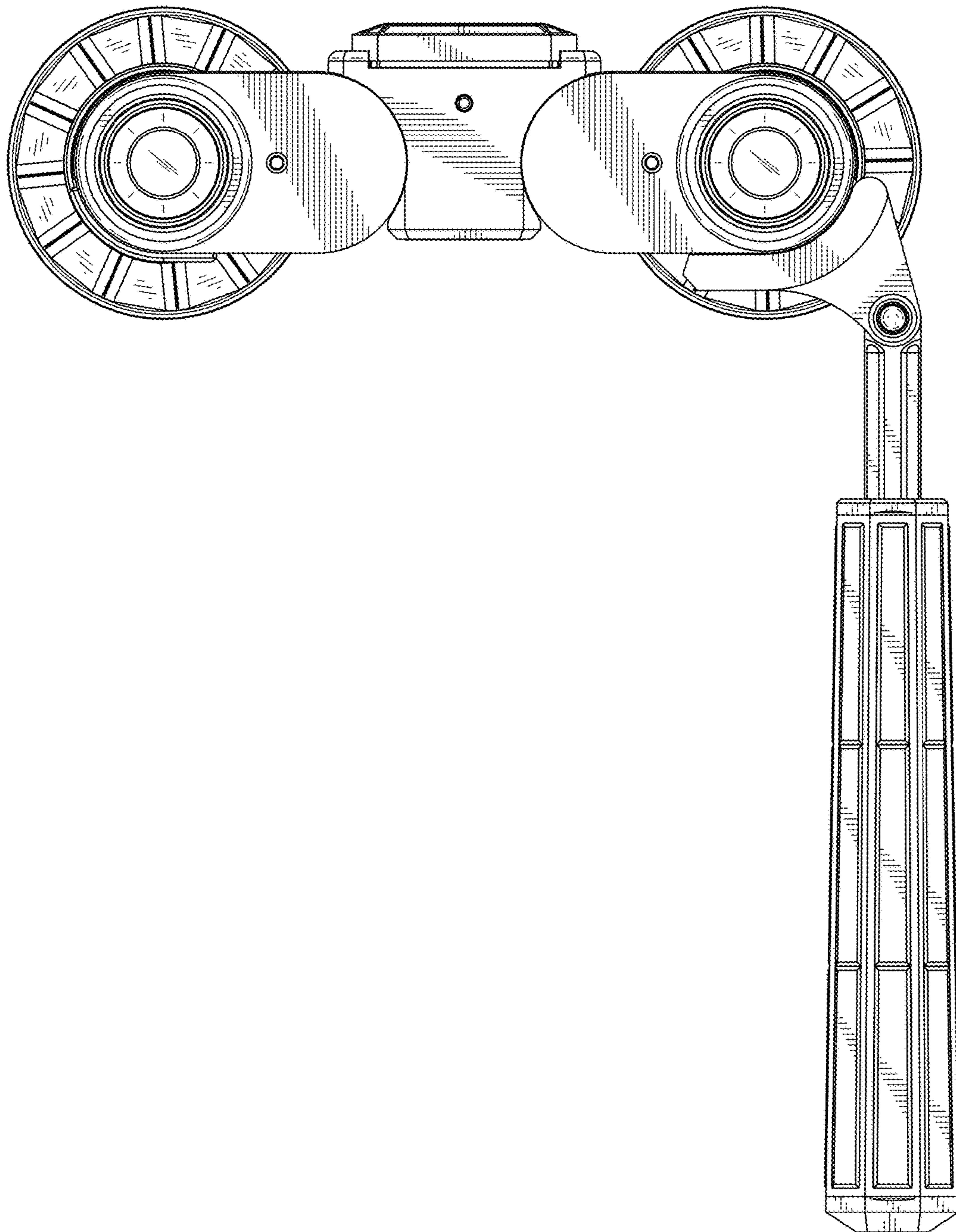


FIG. 4

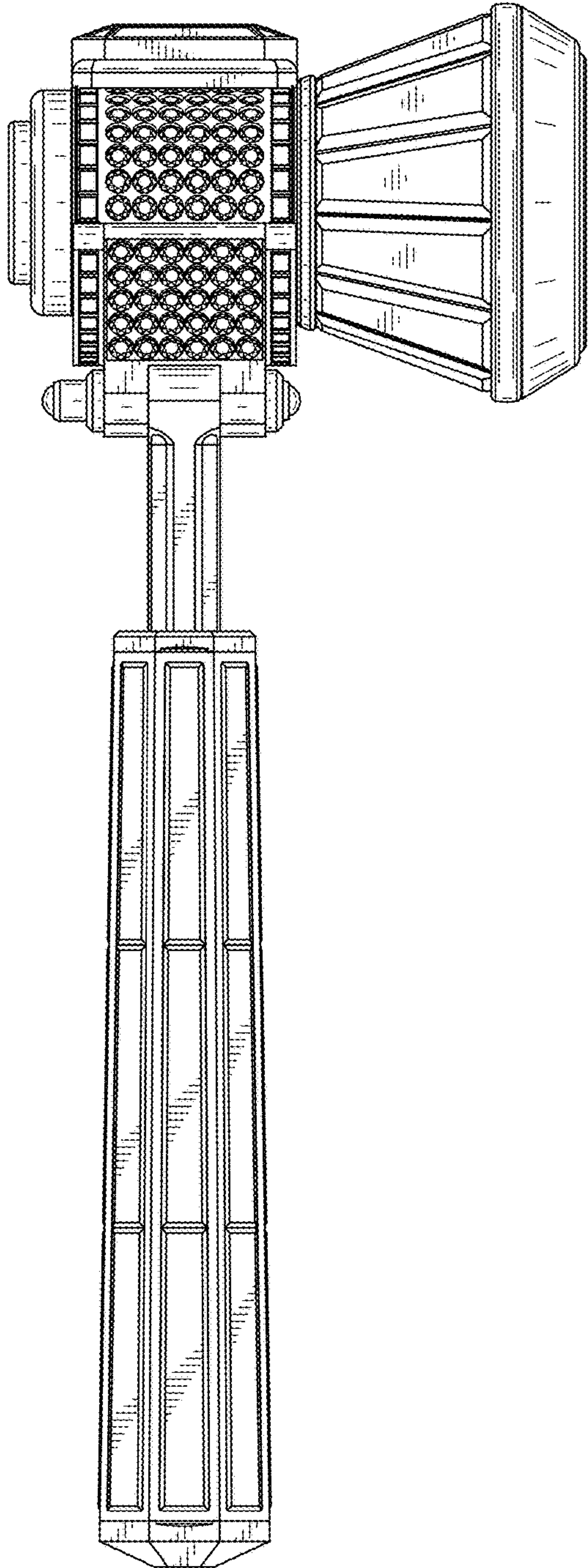


FIG. 5

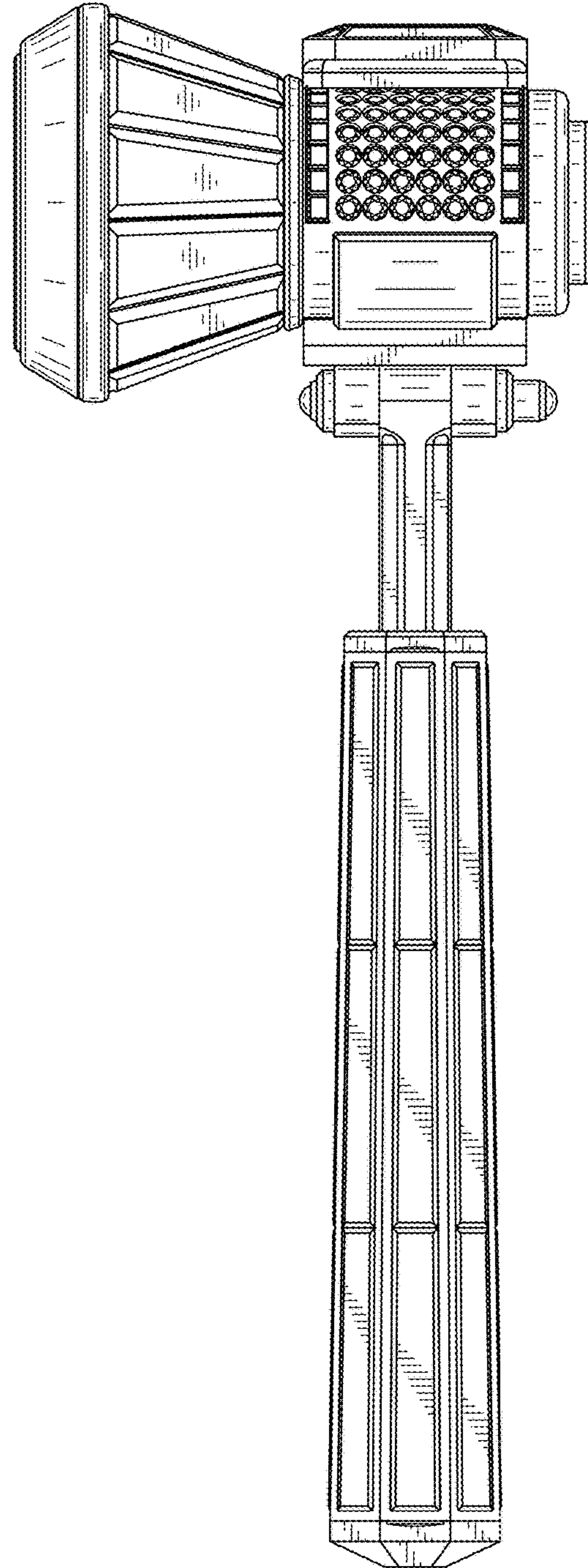


FIG. 6



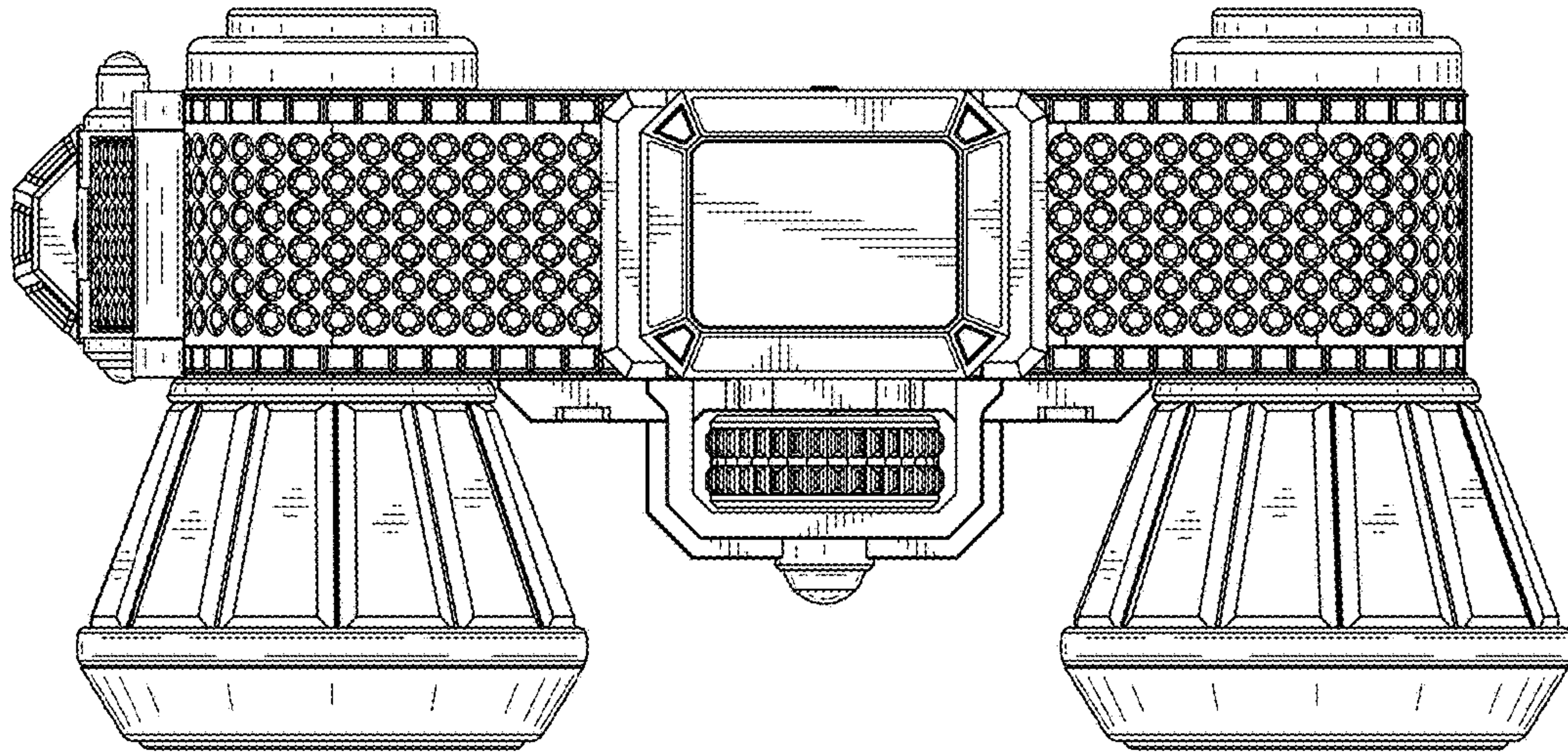


FIG. 7

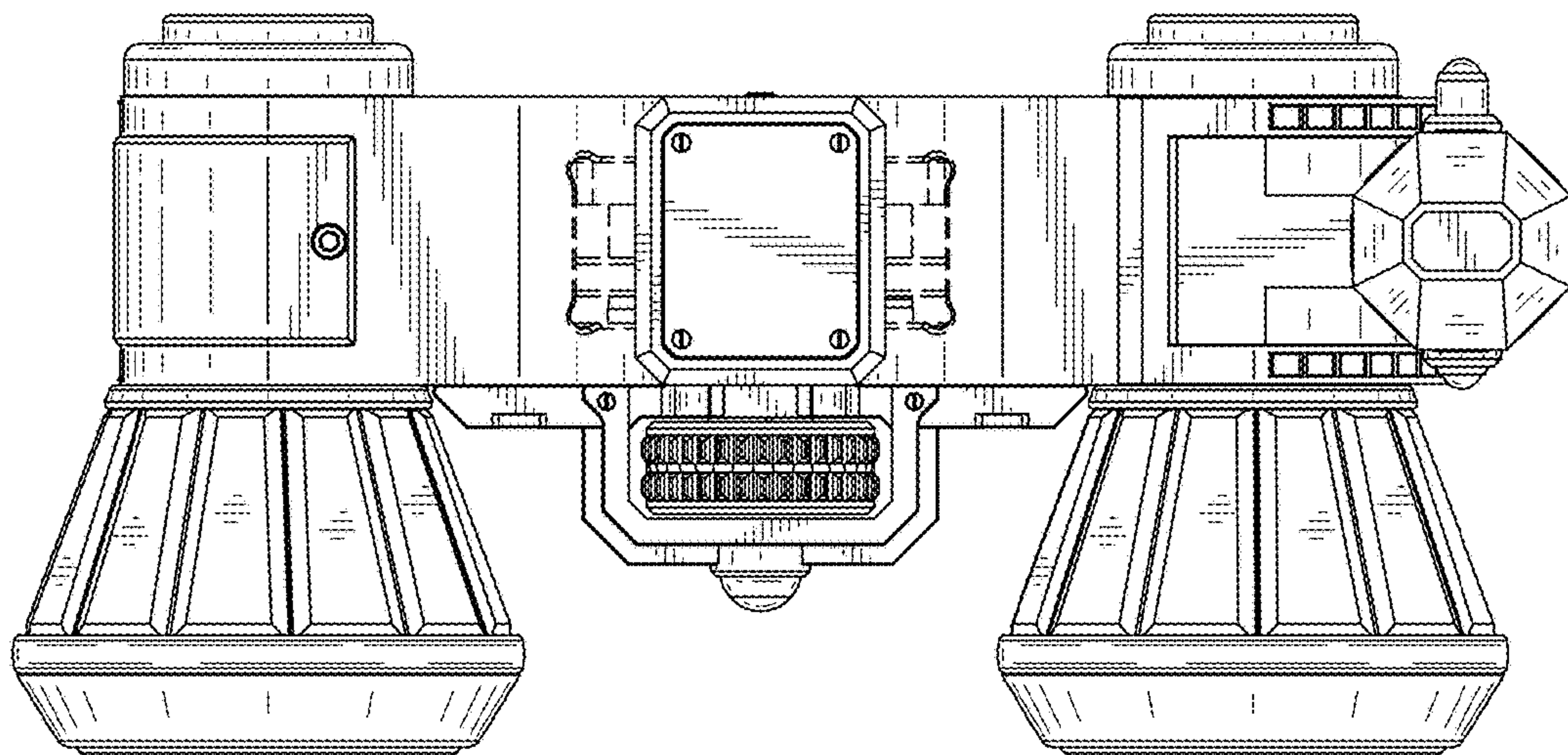


FIG. 8