



US00D833494S

(12) **United States Design Patent**
Zhang et al.

(10) **Patent No.:** **US D833,494 S**

(45) **Date of Patent:** **** Nov. 13, 2018**

(54) **GEARBOX**

(71) Applicant: **Shanghai Putao Technology Co., Ltd.**,
Shanghai (CN)

(72) Inventors: **Xiang Zhang**, Shanghai (CN); **Di Peng**,
Shanghai (CN); **Zhaolong Li**, Shanghai
(CN); **Shaohua Zhang**, Shanghai (CN);
Benchao Xiao, Shanghai (CN)

(73) Assignee: **Shanghai Putao Technology Co., Ltd.**,
Shanghai (CN)

(**) Term: **15 Years**

(21) Appl. No.: **29/621,279**

(22) Filed: **Oct. 6, 2017**

(30) **Foreign Application Priority Data**

Apr. 10, 2017 (CN) 2017 3 0114402

(51) **LOC (11) Cl.** **15-09**

(52) **U.S. Cl.**
USPC **D15/148**

(58) **Field of Classification Search**
USPC D15/148, 149
CPC B23B 5/167; B23B 2260/07; B23B
2270/025; B23B 2270/027; F16H 1/20;
F16H 57/021

See application file for complete search history.

(56) **References Cited**

U.S. PATENT DOCUMENTS

D400,220 S * 10/1998 Nemoto D15/148
D437,334 S * 2/2001 Song D15/148
D441,381 S * 5/2001 Kaneko D15/143
D453,347 S * 2/2002 Kaneko D15/143
D465,796 S * 11/2002 Kaneko D15/143
D467,258 S * 12/2002 Tsergas D15/148
D549,663 S * 8/2007 Tsou D13/147

D572,281 S * 7/2008 Wei D15/143
D600,725 S * 9/2009 Iwai D15/143
D635,165 S * 3/2011 Yajima D15/143
D660,334 S * 5/2012 Takeuchi D15/143
D673,596 S * 1/2013 Schultheiss D15/149
D674,826 S * 1/2013 Zhang D15/148
D676,884 S * 2/2013 Zhang D15/148
D725,037 S * 3/2015 Norman D13/112
D775,677 S * 1/2017 Jorgensen D15/143
D795,935 S * 8/2017 Jorgensen D15/148
D810,164 S * 2/2018 Lin D15/148
D810,798 S * 2/2018 Tabuchi D15/148
D816,748 S * 5/2018 Jorgensen D15/148
D824,973 S * 8/2018 Tabuchi D15/148
D824,974 S * 8/2018 Tabuchi D15/148
D824,975 S * 8/2018 Tabuchi D15/148
2017/0059443 A1 * 3/2017 Sun G01M 3/025
2017/0276214 A1 * 9/2017 Cockrell F16H 1/20
2017/0373558 A1 * 12/2017 Ramirez, Jr. H02K 5/22
2018/0023687 A1 * 1/2018 Schmidt F16H 59/0204
74/473.18

* cited by examiner

Primary Examiner — Patricia A Palasik

(74) *Attorney, Agent, or Firm* — Finnegan, Henderson,
Farabow, Garrett & Dunner, LLP

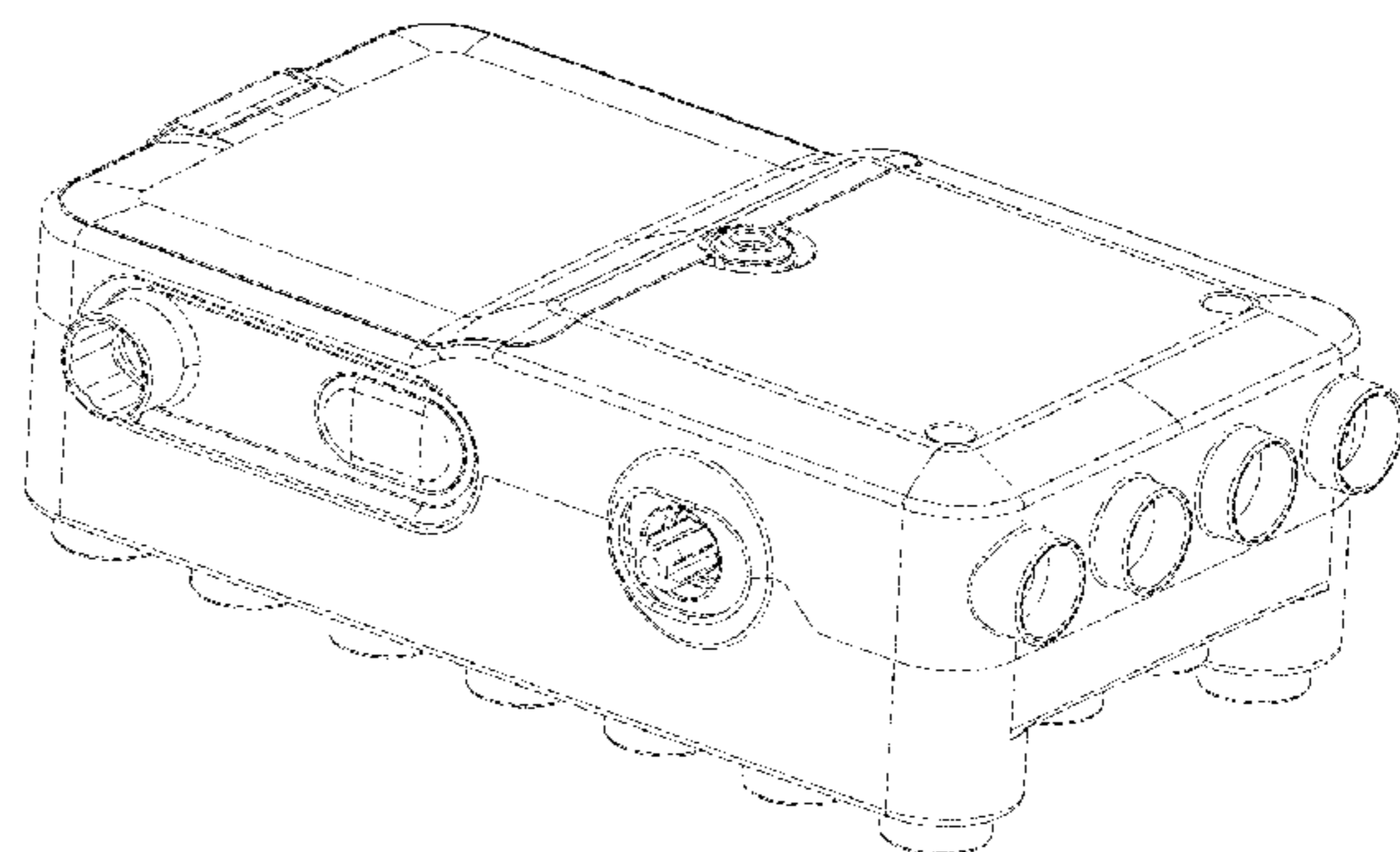
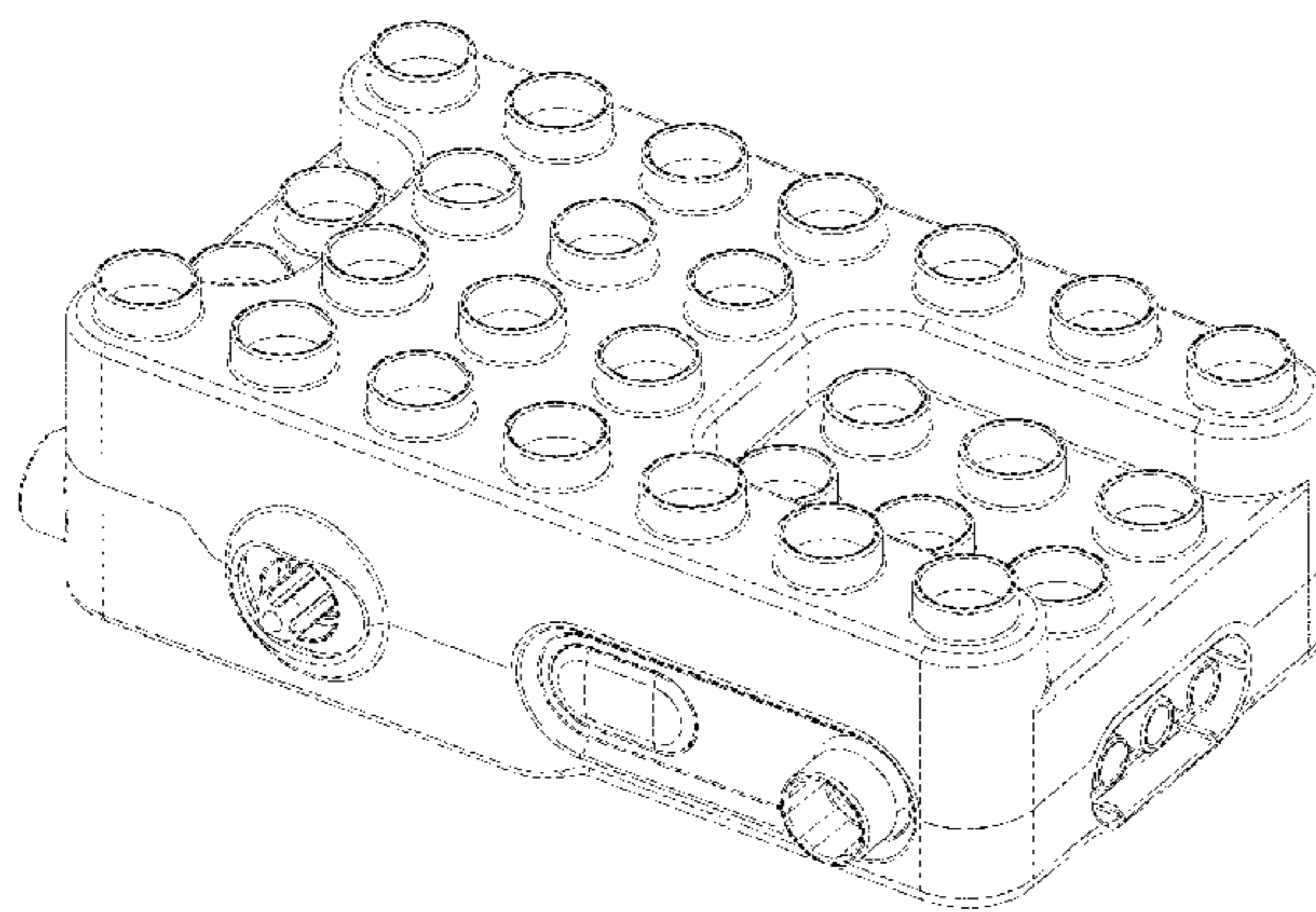
(57) **CLAIM**

The ornamental design for a gearbox, as shown and
described.

DESCRIPTION

FIG. 1 is a top, front, right perspective view of a gearbox,
showing our new design;
FIG. 2 is a bottom, rear, left perspective view thereof;
FIG. 3 a front elevation view thereof;
FIG. 4 is a rear elevation view thereof;
FIG. 5 is right side elevation view thereof;
FIG. 6 is left side elevation view thereof;
FIG. 7 is a top plan view thereof; and,
FIG. 8 is a bottom plan view thereof.

1 Claim, 8 Drawing Sheets



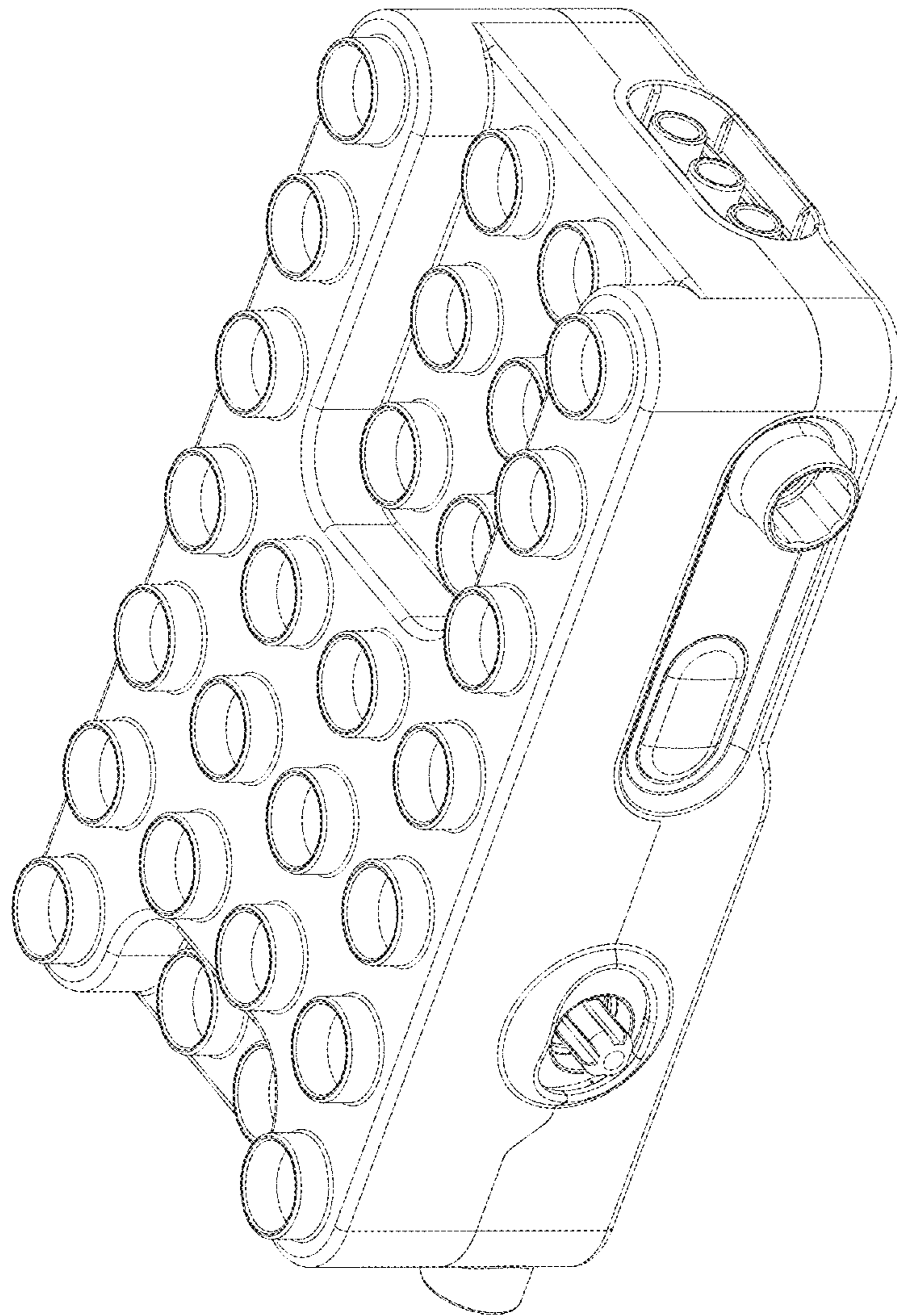


FIG. 1

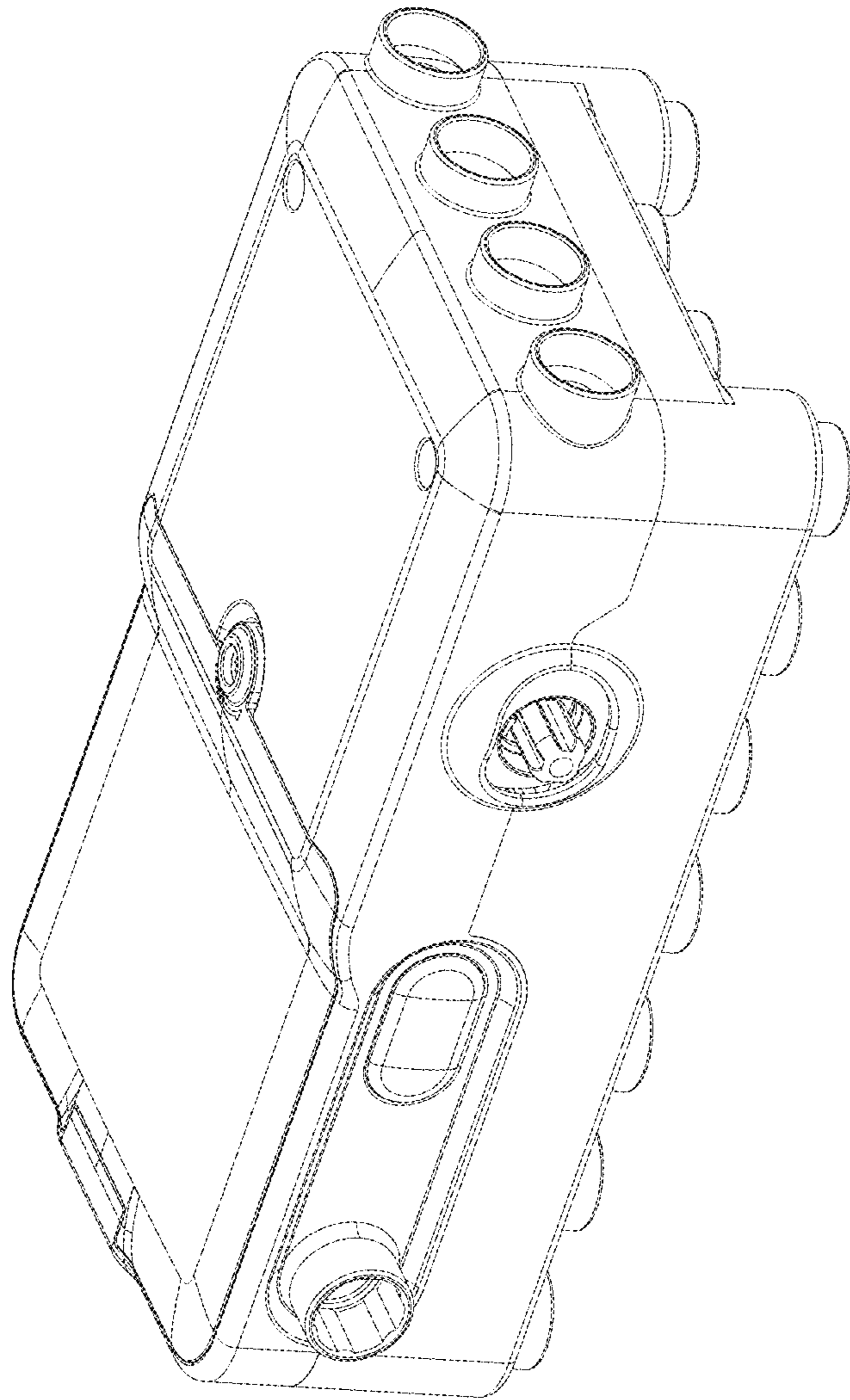


FIG. 2

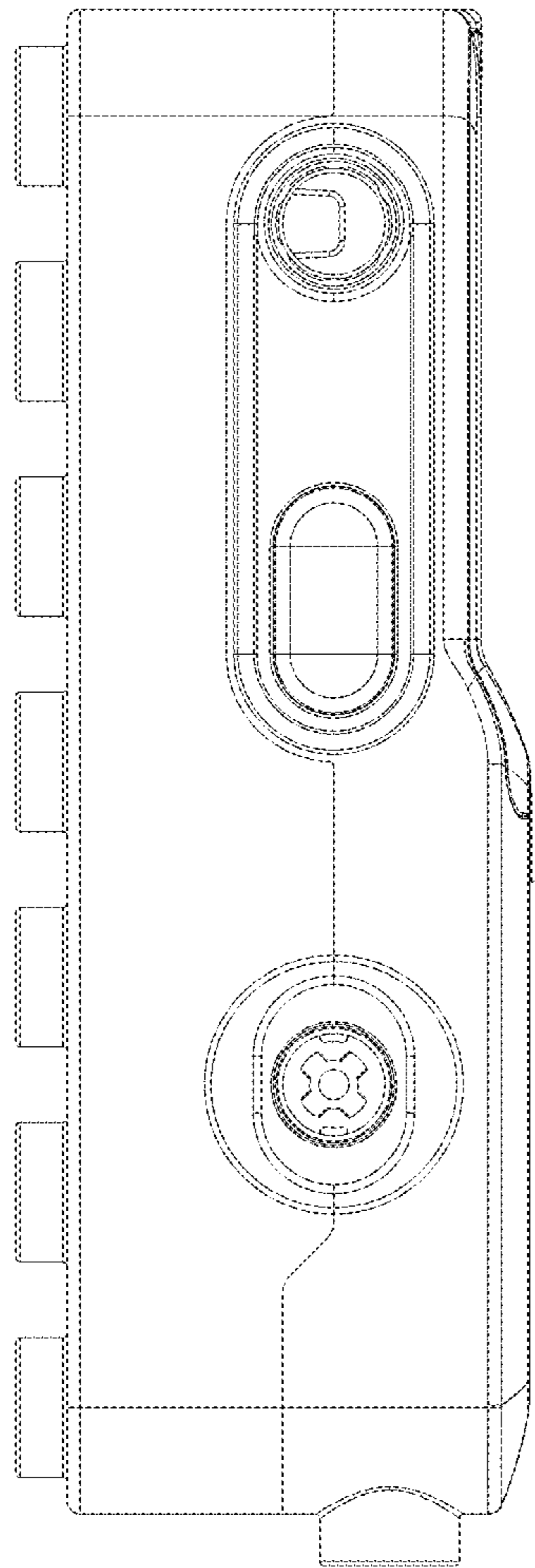


FIG. 3

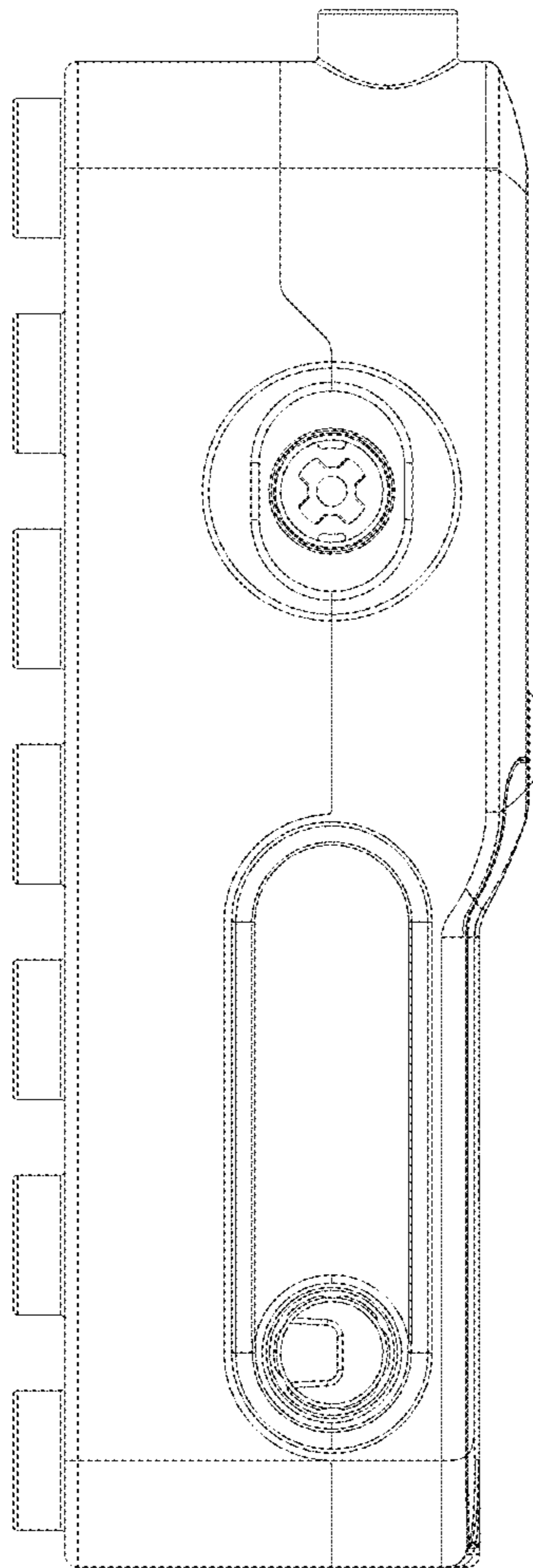


FIG. 4

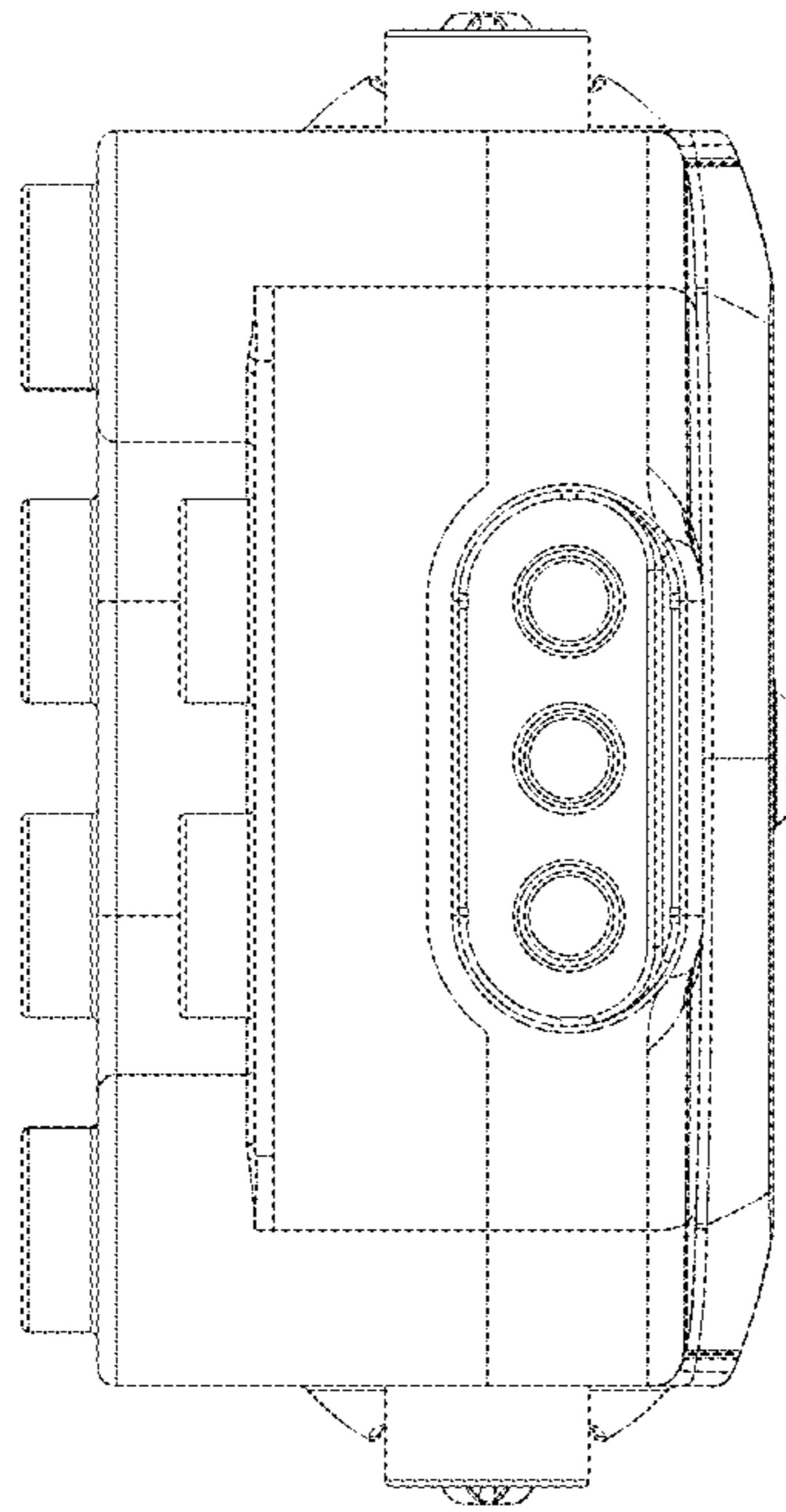


FIG. 5

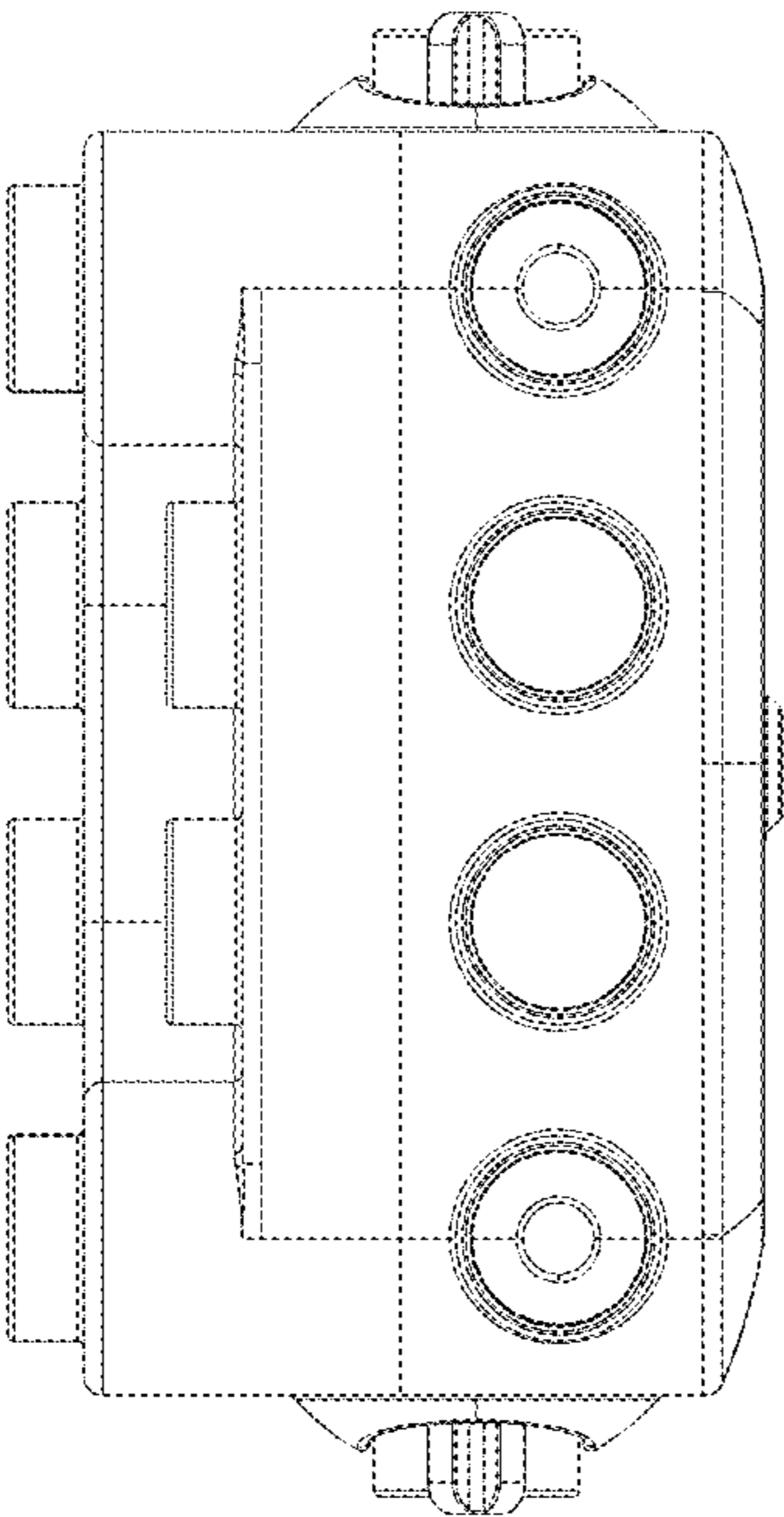


FIG. 6

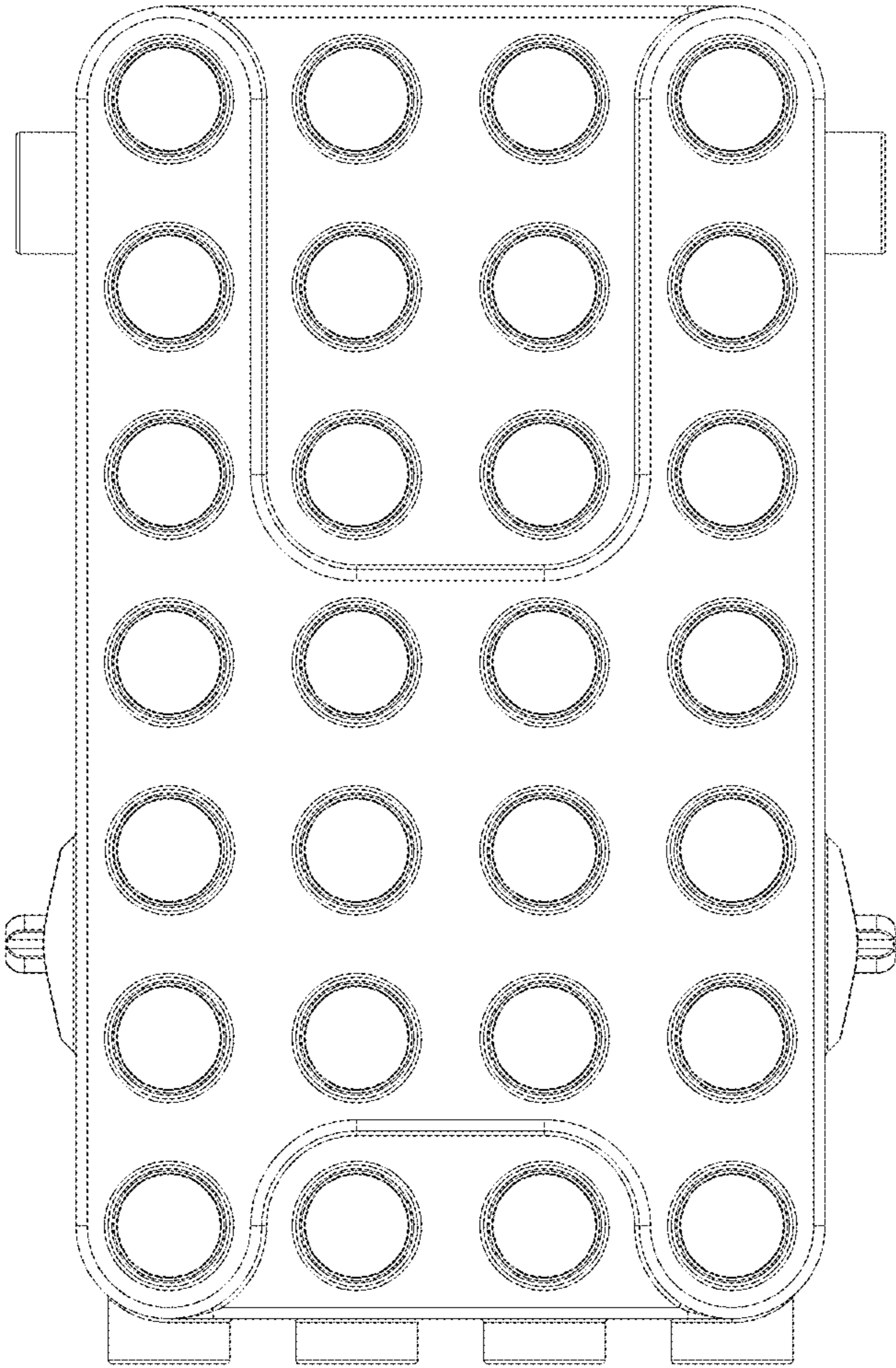


FIG. 7

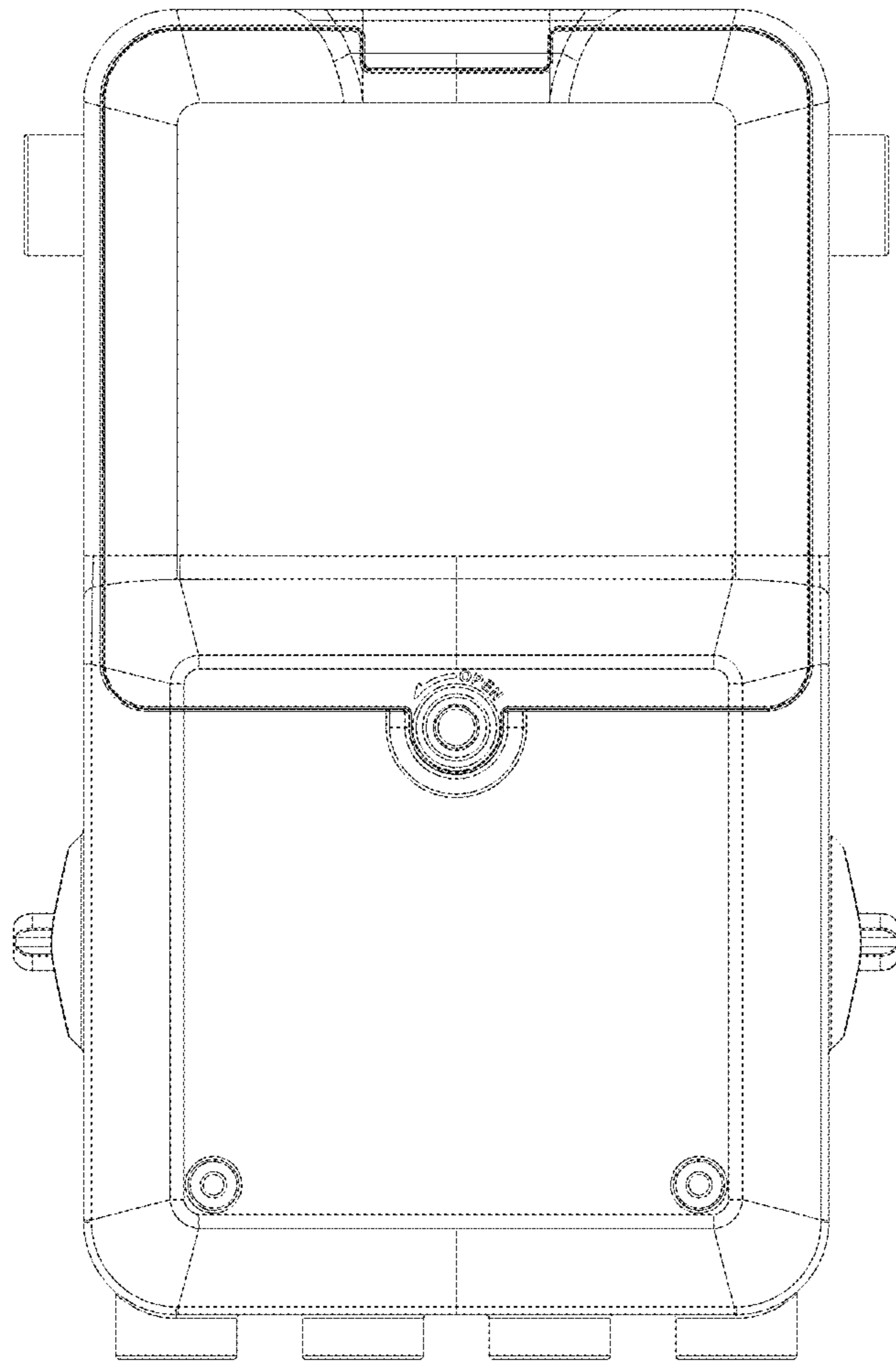


FIG. 8