



US00D833493S

(12) **United States Design Patent**  
**Nelson et al.**

(10) **Patent No.:** **US D833,493 S**  
(45) **Date of Patent:** **\*\* Nov. 13, 2018**

- (54) **STRETCH STRAPPING DEVICE**
- (71) Applicant: **Encore Packaging LLC**, Lake Bluff, IL (US)
- (72) Inventors: **Timothy H. Nelson**, Winnetka, IL (US); **Yinghao Shi**, Chicago, IL (US)
- (73) Assignee: **Encore Packaging LLC**, Lake Bluff, IL (US)
- (\*\*) Term: **15 Years**
- (21) Appl. No.: **29/610,754**
- (22) Filed: **Jul. 14, 2017**
- (51) **LOC (11) Cl.** ..... **15-99**
- (52) **U.S. Cl.**  
USPC ..... **D15/145**
- (58) **Field of Classification Search**  
USPC ..... D15/122, 145, 146, 199  
CPC ..... B65B 13/00; B65B 13/06; B65B 13/16;  
B65B 13/18; B65B 13/32; B65B 57/04;  
B65B 59/04; B65B 2210/12  
See application file for complete search history.

(56) **References Cited**

**U.S. PATENT DOCUMENTS**

|                |         |            |       |                         |
|----------------|---------|------------|-------|-------------------------|
| D172,029 S *   | 4/1954  | Johnson    | ..... | D15/145                 |
| 3,759,169 A *  | 9/1973  | Goodley    | ..... | B65B 13/02<br>100/29    |
| 4,502,911 A *  | 3/1985  | Discavage  | ..... | B65B 13/32<br>100/33 PB |
| 4,605,456 A *  | 8/1986  | Annis, Jr. | ..... | B65B 13/22<br>100/29    |
| D295,525 S *   | 5/1988  | Sakaki     | ..... | D15/145                 |
| D307,435 S *   | 4/1990  | Sakaki     | ..... | D15/145                 |
| D308,977 S *   | 7/1990  | Sakaki     | ..... | D15/145                 |
| D424,078 S *   | 5/2000  | Chin-Chang | ..... | D15/145                 |
| 6,463,721 B1 * | 10/2002 | Su         | ..... | B65B 13/22<br>100/29    |

|                   |        |            |       |                      |
|-------------------|--------|------------|-------|----------------------|
| 6,568,159 B2 *    | 5/2003 | Kawai      | ..... | B65B 13/04<br>100/25 |
| D488,822 S *      | 4/2004 | Shibazaki  | ..... | D15/145              |
| 6,745,678 B1 *    | 6/2004 | Liu        | ..... | B65B 13/06<br>100/26 |
| 6,789,469 B1 *    | 9/2004 | Tipton     | ..... | B65B 27/08<br>100/18 |
| 6,994,019 B1 *    | 2/2006 | Liu        | ..... | B65B 13/08<br>100/26 |
| D546,852 S *      | 7/2007 | Shimajima  | ..... | D15/145              |
| D547,779 S *      | 7/2007 | Shimajima  | ..... | D15/145              |
| 7,263,928 B1 *    | 9/2007 | Holden     | ..... | B65B 13/06<br>100/26 |
| 7,270,055 B1 *    | 9/2007 | Haberstroh | ..... | B65B 13/22<br>100/26 |
| 2003/0009995 A1 * | 1/2003 | Pearson    | ..... | B65B 13/06<br>53/589 |

(Continued)

*Primary Examiner* — Patricia A Palasik

(74) *Attorney, Agent, or Firm* — Fitch, Even, Tabin & Flannery LLP

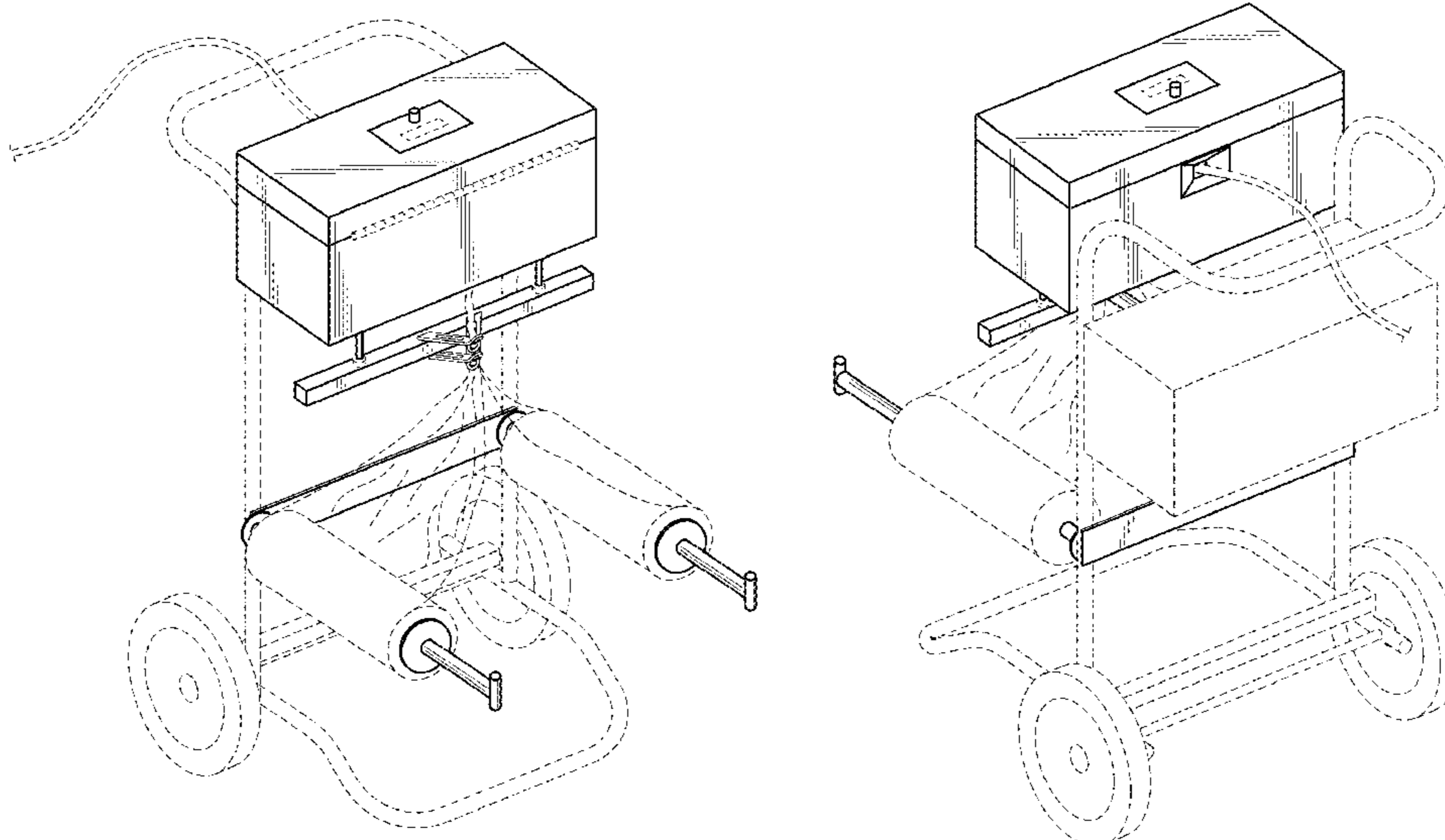
(57) **CLAIM**

We claim the ornamental design for a stretch strapping device, as shown and described.

**DESCRIPTION**

FIG. 1 is a front-right perspective view of a stretch strapping device in accordance with our new design.  
 FIG. 2 is a top plan view thereof,  
 FIG. 3 right side elevation view thereof,  
 FIG. 4 front elevation view thereof,  
 FIG. 5 rear elevation view thereof,  
 FIG. 6 bottom plan view thereof; and,  
 FIG. 7 and back-left perspective view thereof.  
 Various portions of the stretch strapping device in FIGS. 1-7 are shown in broken line for illustrating unclaimed environmental subject matter that forms no part of the claimed design.

**1 Claim, 4 Drawing Sheets**



(56)

**References Cited**

U.S. PATENT DOCUMENTS

|              |      |         |                  |                      |
|--------------|------|---------|------------------|----------------------|
| 2004/0098953 | A1 * | 5/2004  | Devine .....     | B65B 13/06<br>53/589 |
| 2004/0255562 | A1 * | 12/2004 | Haberstroh ..... | B65B 13/06<br>53/589 |
| 2004/0255797 | A1 * | 12/2004 | Bobren .....     | B65B 13/06<br>100/26 |
| 2005/0061165 | A1 * | 3/2005  | Powers .....     | B65B 13/06<br>100/26 |
| 2010/0154661 | A1 * | 6/2010  | Bobren .....     | B65B 13/06<br>100/4  |
| 2011/0120321 | A1 * | 5/2011  | Oehm .....       | B65B 13/06<br>100/3  |
| 2012/0216688 | A1 * | 8/2012  | Liu .....        | B65B 13/06<br>100/8  |

\* cited by examiner

FIG. 1

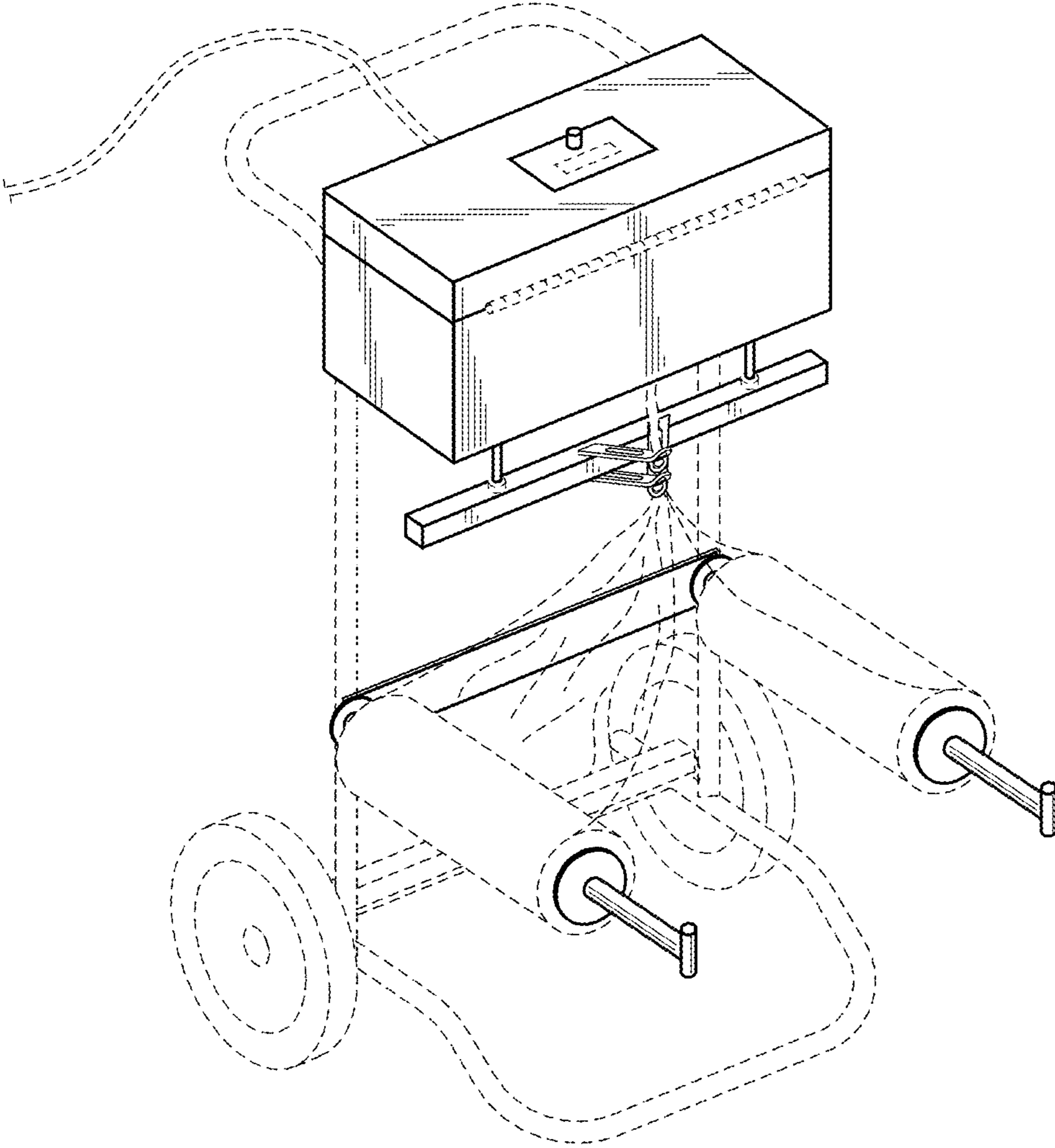


FIG. 2

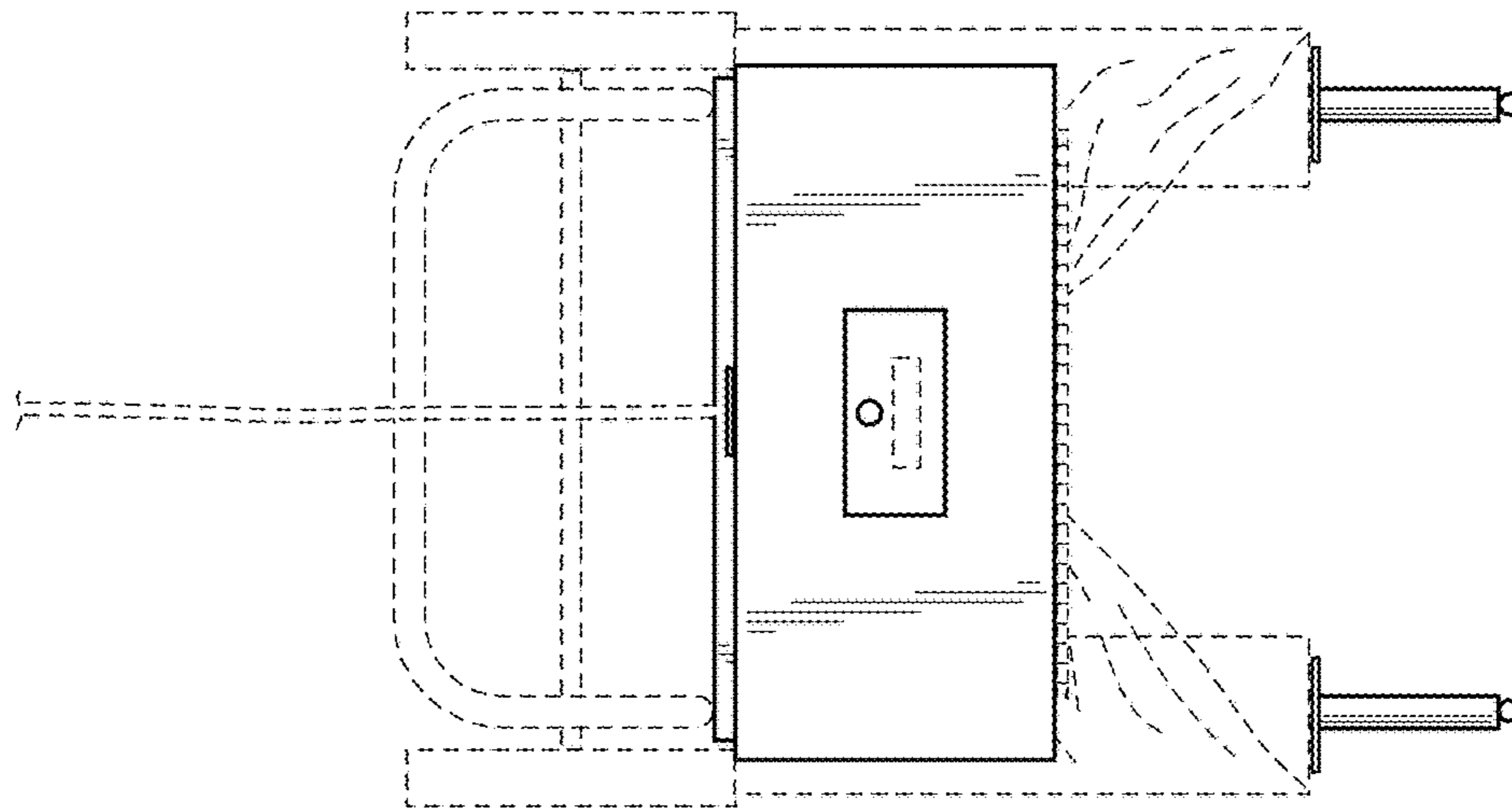


FIG. 3

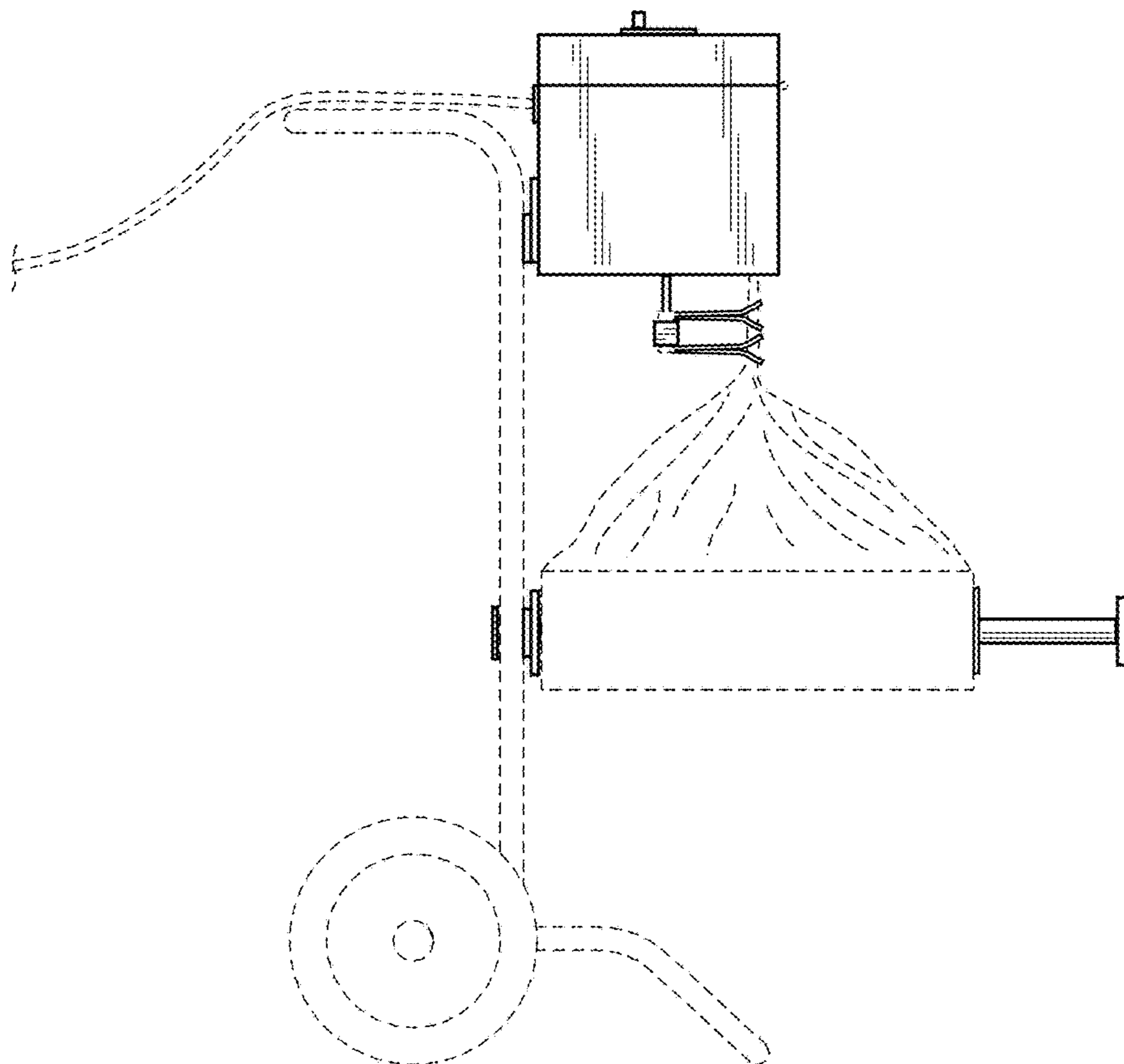


FIG. 4

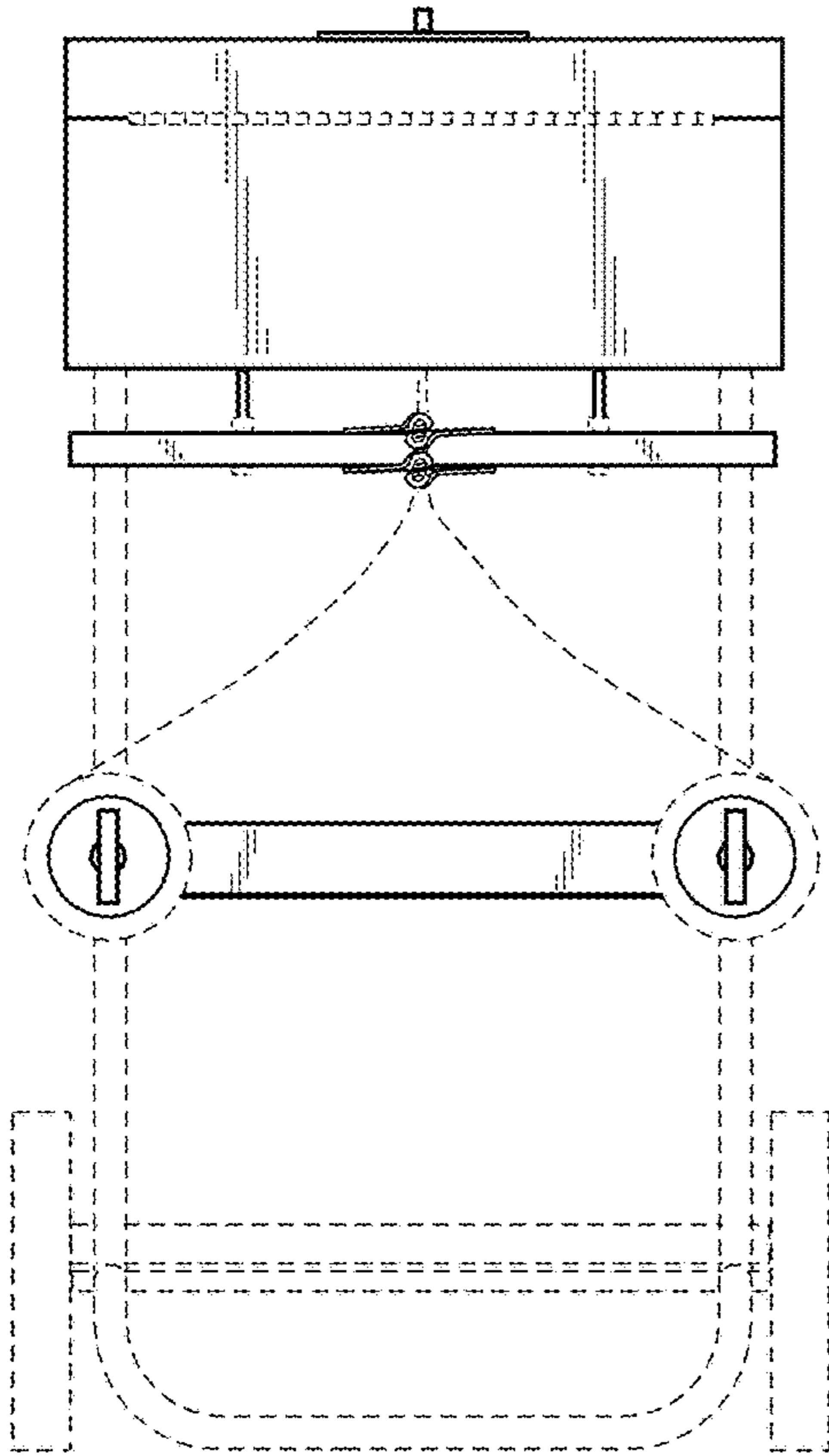


FIG. 5

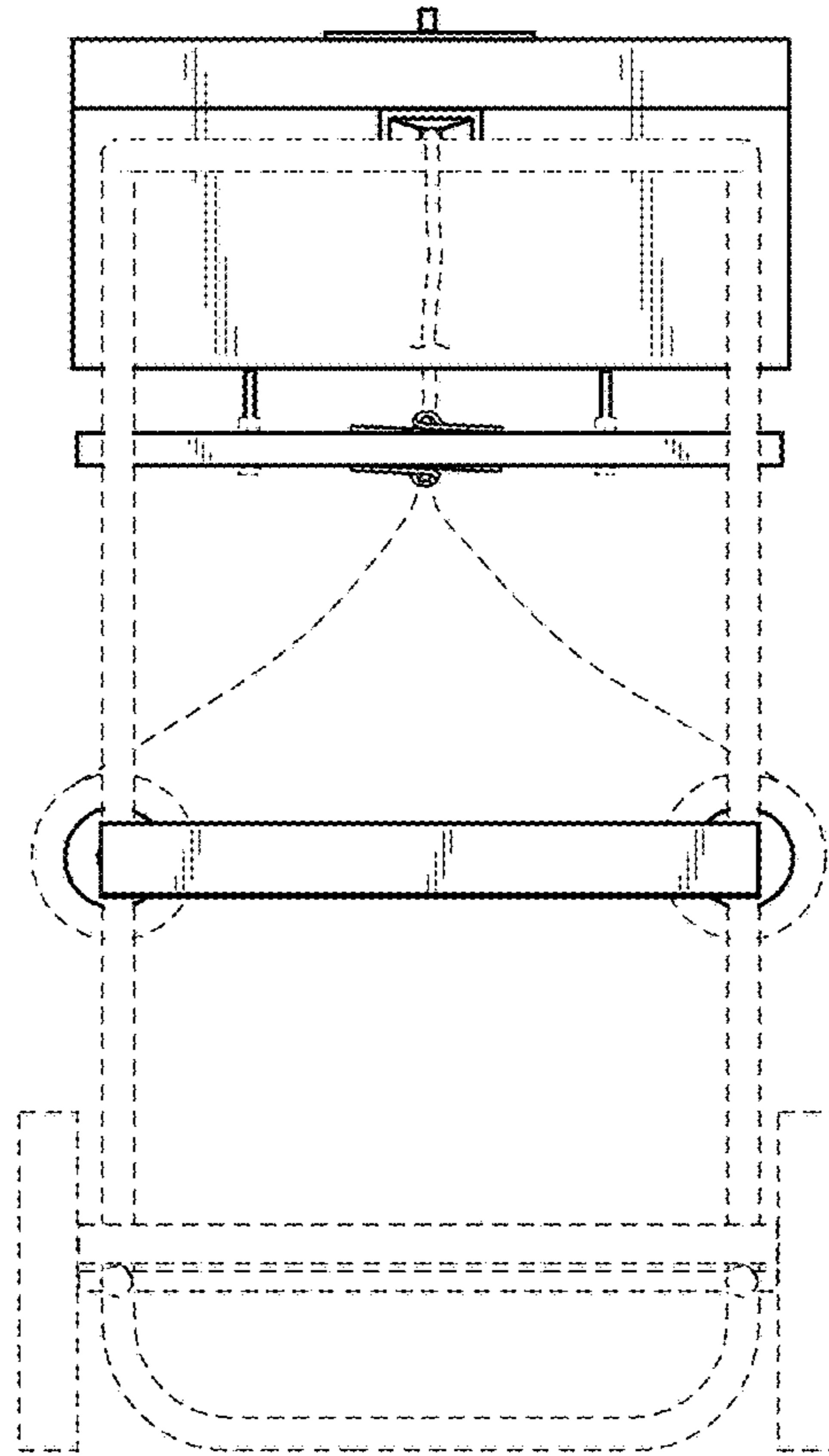


FIG. 6

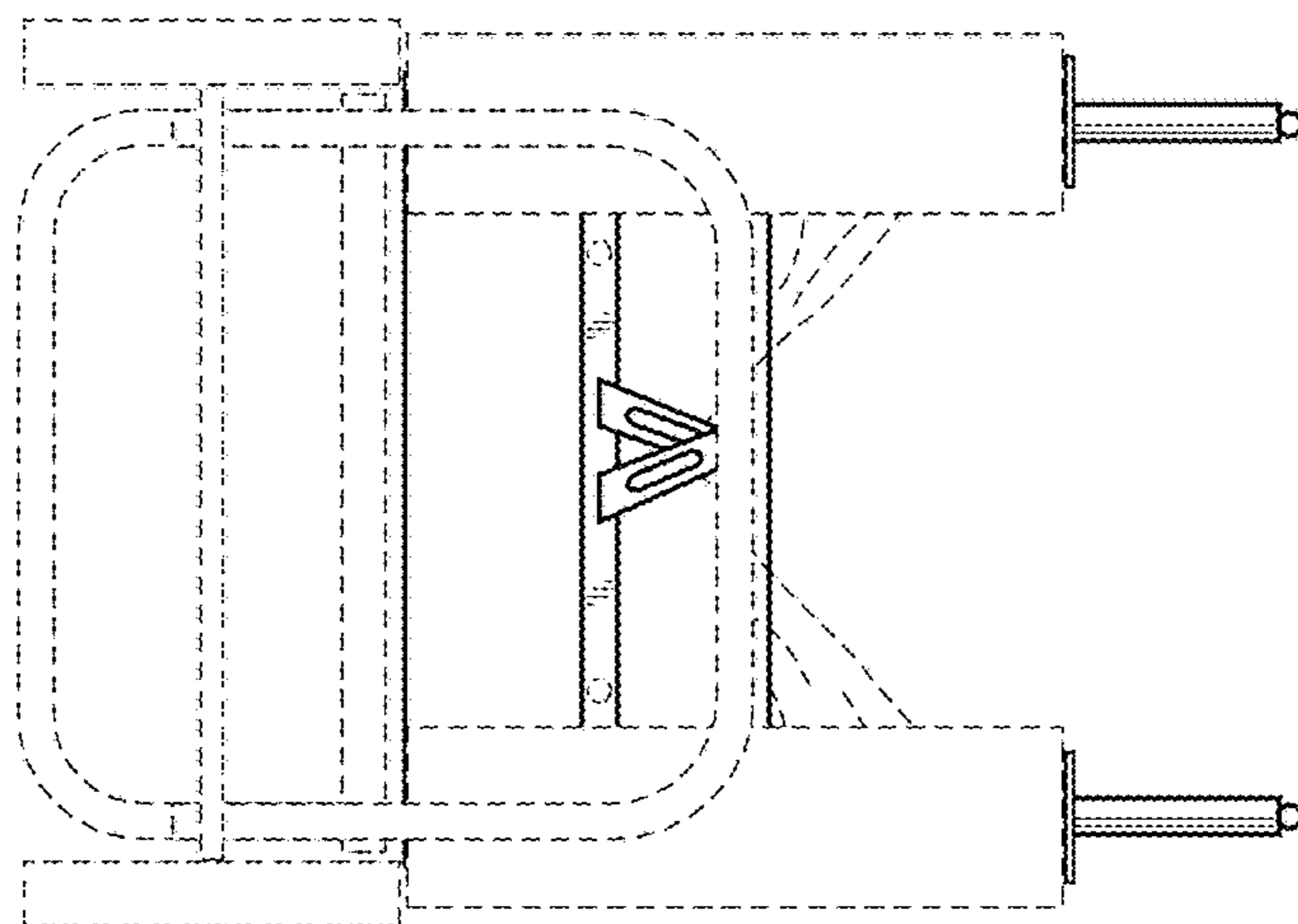




FIG. 7

