



US00D833491S

(12) **United States Design Patent** (10) **Patent No.:** **US D833,491 S**  
**Rieser et al.** (45) **Date of Patent:** **\*\* Nov. 13, 2018**

(54) **HEAT SEALING APPARATUS**  
(71) Applicant: **Leister Technologies AG**, Kagiswil (CH)  
(72) Inventors: **Benedikt Rieser**, Lungern (CH); **Haruka Shimazu**, Adligenswil (JP)  
(73) Assignee: **Leister Technologies AG**, Kagiswil (CH)

(\*\*) Term: **15 Years**  
(21) Appl. No.: **29/609,579**  
(22) Filed: **Jul. 1, 2017**

(30) **Foreign Application Priority Data**  
Feb. 7, 2017 (EM) ..... 003742824-0002  
(51) **LOC (11) Cl.** ..... **15-09**  
(52) **U.S. Cl.**  
USPC ..... **D15/144**  
(58) **Field of Classification Search**  
USPC ..... D8/29.1, 30; D13/123, 133; D15/122, D15/126, 135, 136, 144, 144.1, 144.2, D15/146  
CPC ... B29C 65/18; B29C 66/1122; B29C 66/167; B29C 66/8324; B29C 66/861  
See application file for complete search history.

(56) **References Cited**  
U.S. PATENT DOCUMENTS  
D363,298 S \* 10/1995 Takemi ..... D15/144  
D558,803 S \* 1/2008 Gisler ..... D15/144  
D621,430 S \* 8/2010 Christen ..... D15/144  
D623,205 S \* 9/2010 Flattinger ..... D15/144  
D642,604 S \* 8/2011 Rohrer ..... D15/144  
D654,521 S \* 2/2012 Flubacher ..... D15/144  
D669,106 S \* 10/2012 Flubacher ..... D15/144  
D726,793 S \* 4/2015 von Wyl ..... D15/144  
D737,876 S \* 9/2015 von Wyl ..... D15/144

D778,331 S \* 2/2017 Ide ..... D15/144  
D780,239 S \* 2/2017 Burgler ..... D15/144  
D780,240 S \* 2/2017 Burgler ..... D15/144  
2006/0051442 A1 \* 3/2006 Miceli ..... B29C 47/0002 425/87  
2006/0283154 A1 \* 12/2006 Matzenmuller ..... B29C 65/18 53/556  
2007/0006549 A1 \* 1/2007 Gertitschke ..... B29C 65/18 53/51

**OTHER PUBLICATIONS**

Hot-air Welder, posted on leister.com, no posted date given, no production date given, [online], [site visited May 15, 2018], Available from Internet, URL: <https://www.leister.com/en/plastic-welding/roofing/products/automatic-welders-mig> (Year: 2018).\*

\* cited by examiner

*Primary Examiner* — Melanie H Tung  
*Assistant Examiner* — Fritzgerald L Butac  
(74) *Attorney, Agent, or Firm* — Charles H Jew

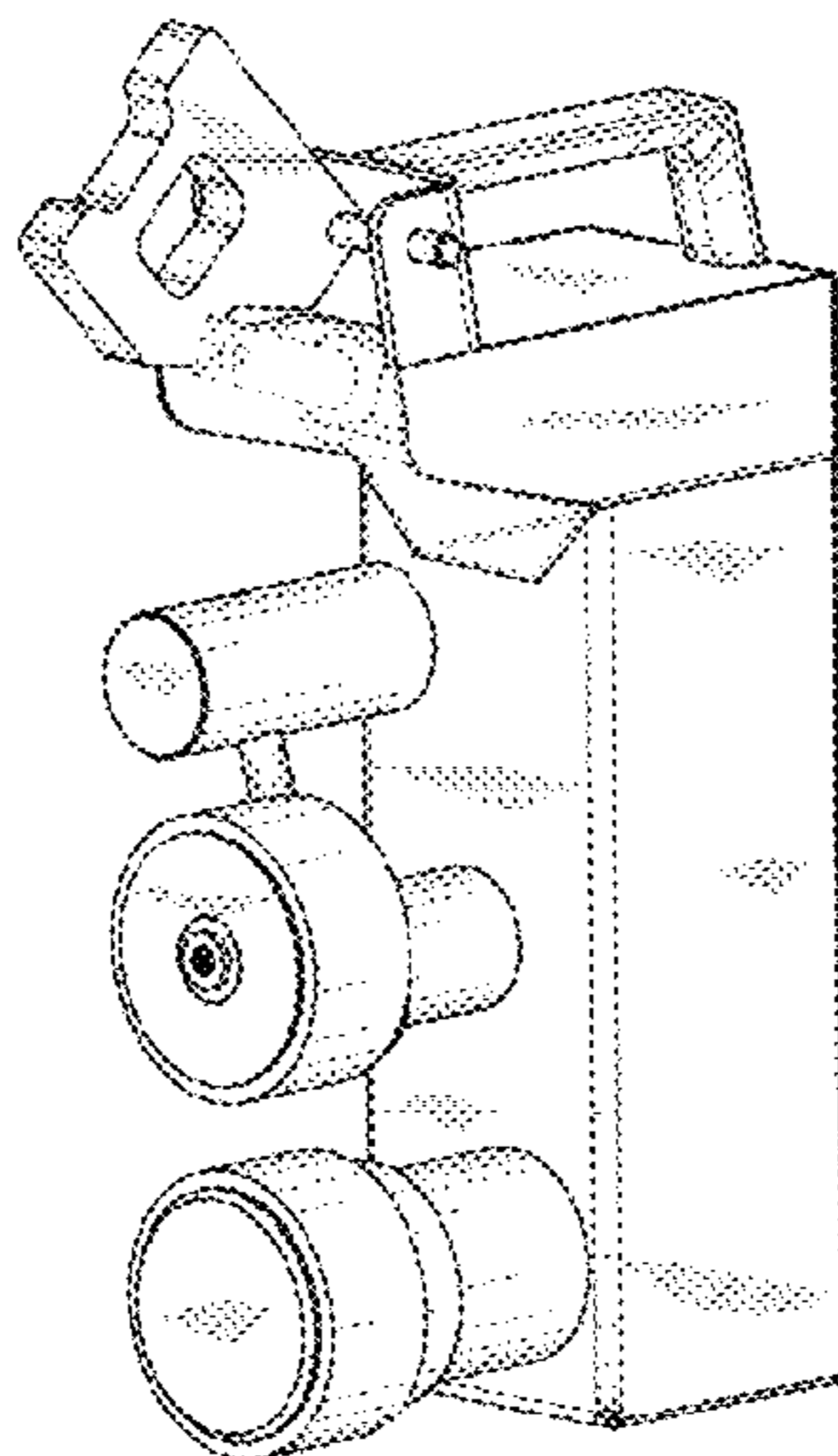
(57) **CLAIM**

The ornamental design for a heat sealing apparatus, as shown and described.

**DESCRIPTION**

FIG. 1 is a front elevational view of a heat sealing apparatus showing our new design;  
FIG. 2 is a rear elevational view thereof;  
FIG. 3 is a left side elevational view thereof;  
FIG. 4 is a right side elevational view thereof;  
FIG. 5 is a top plan view thereof;  
FIG. 6 is a bottom plan view thereof; and,  
FIG. 7 is a front and left perspective view of a heat sealing apparatus, in an alternate position.  
The broken lines in the FIGS. 1, 2, 3, 5 and 7 show portions of the heat sealing apparatus that form no part of the claimed design.

**1 Claim, 5 Drawing Sheets**



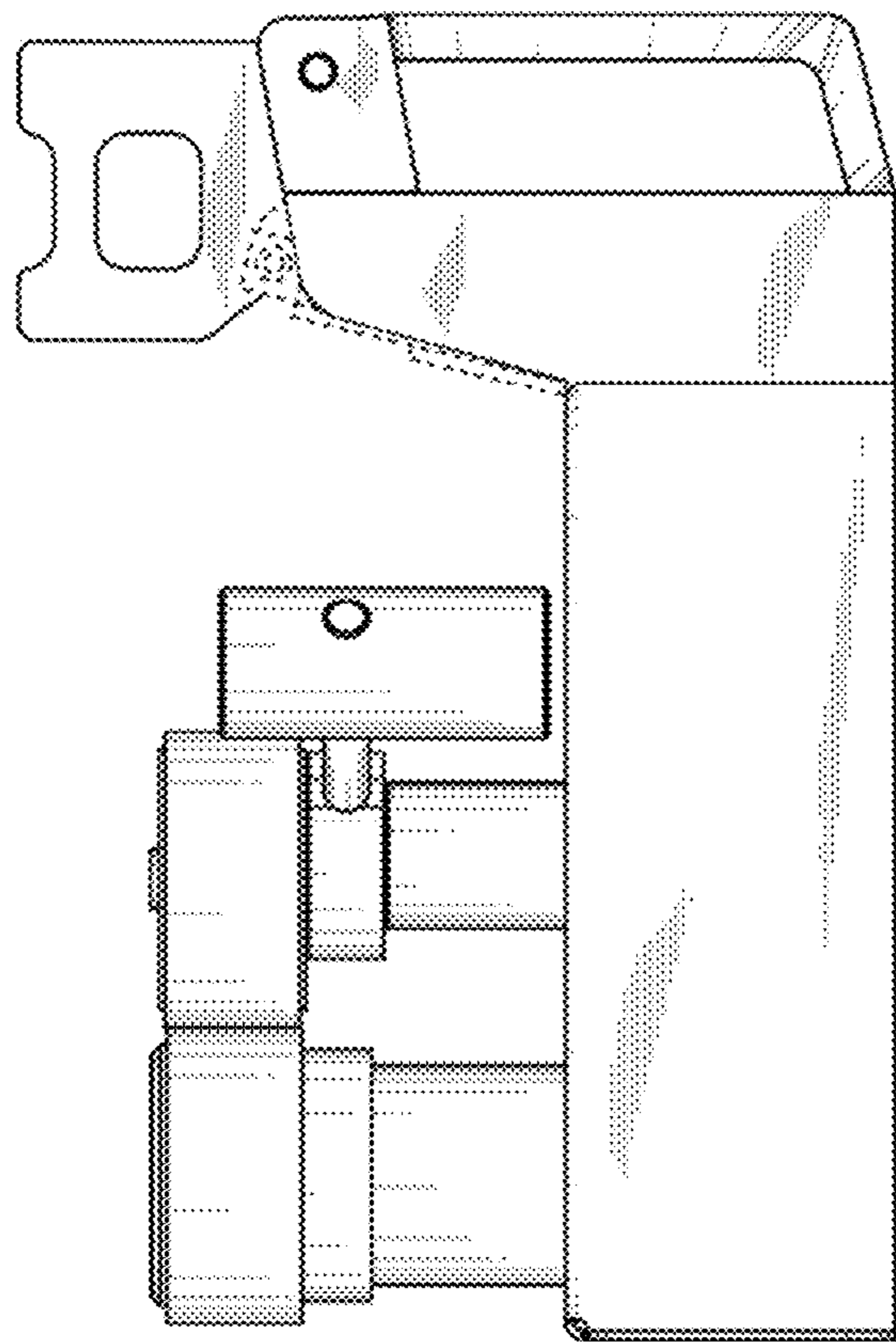


FIG. 1

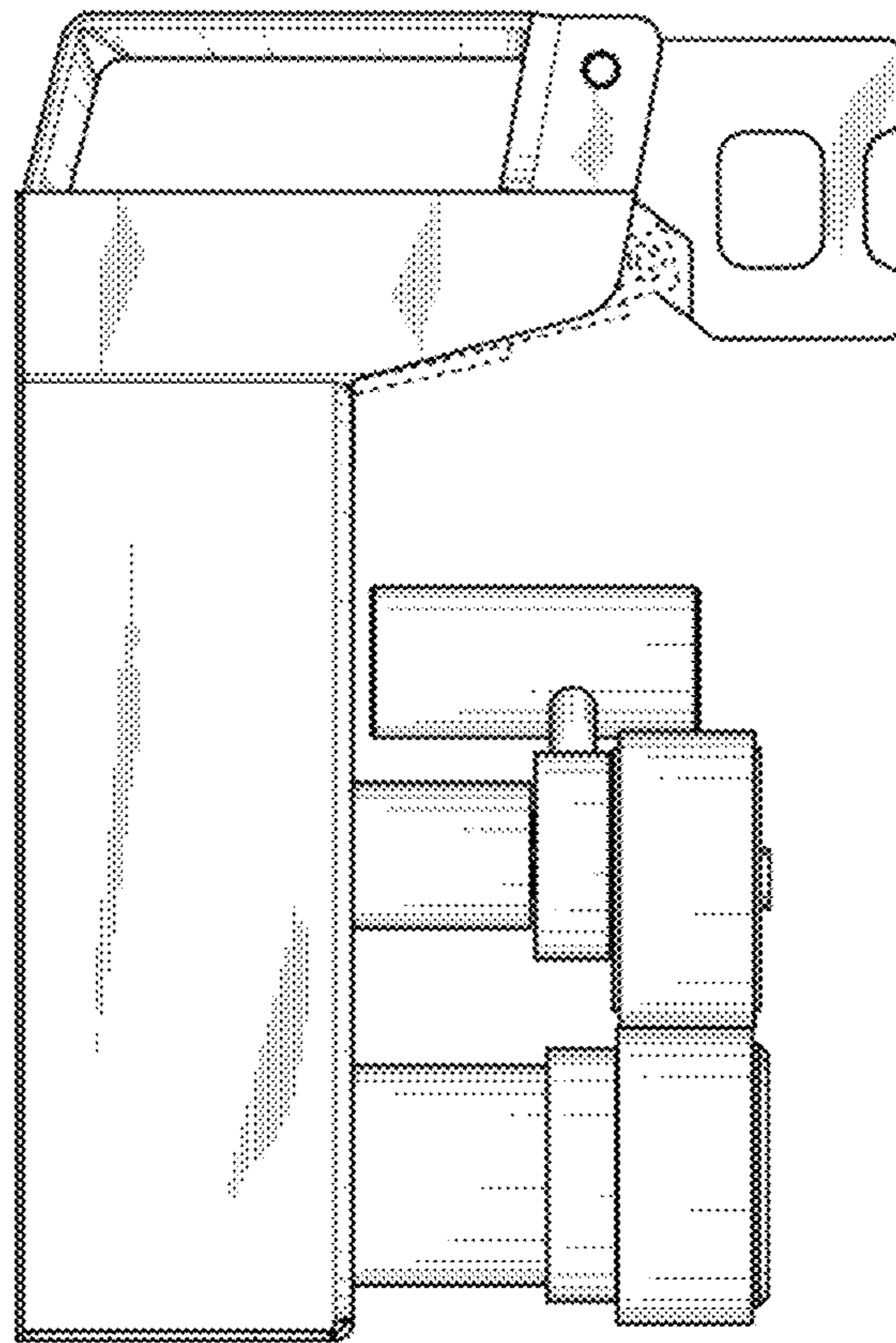
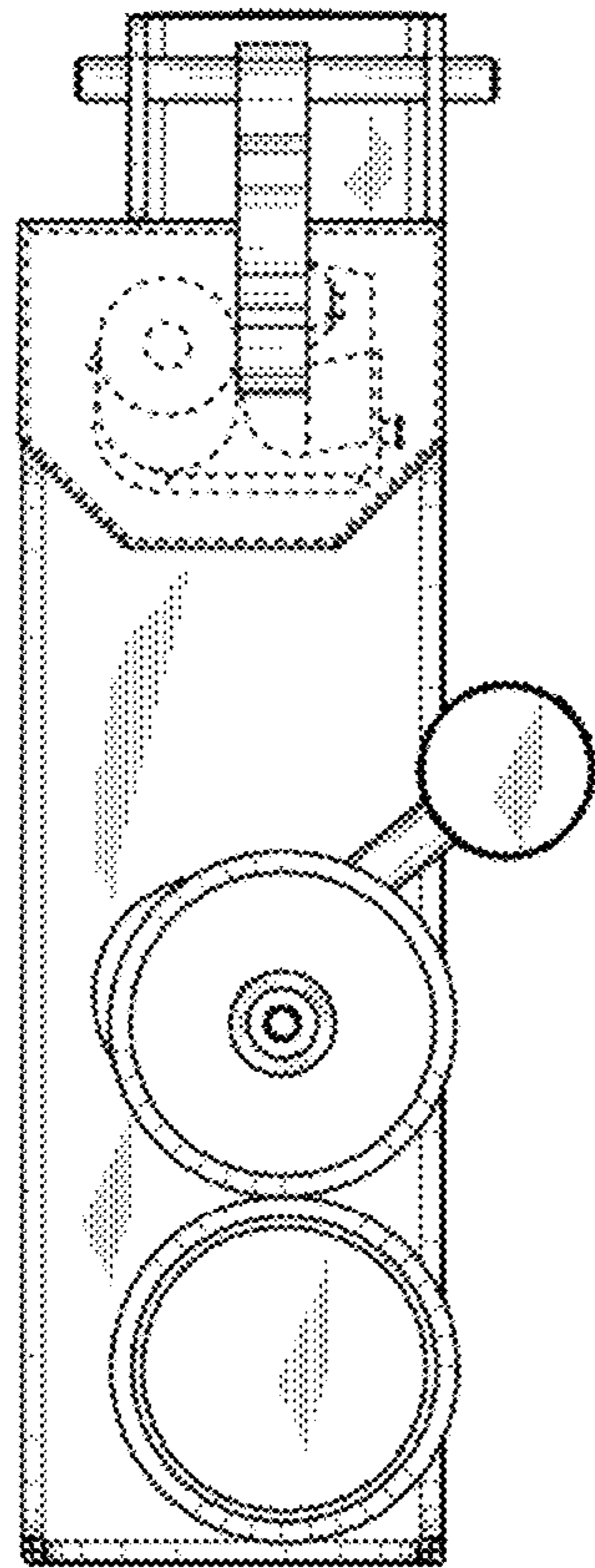
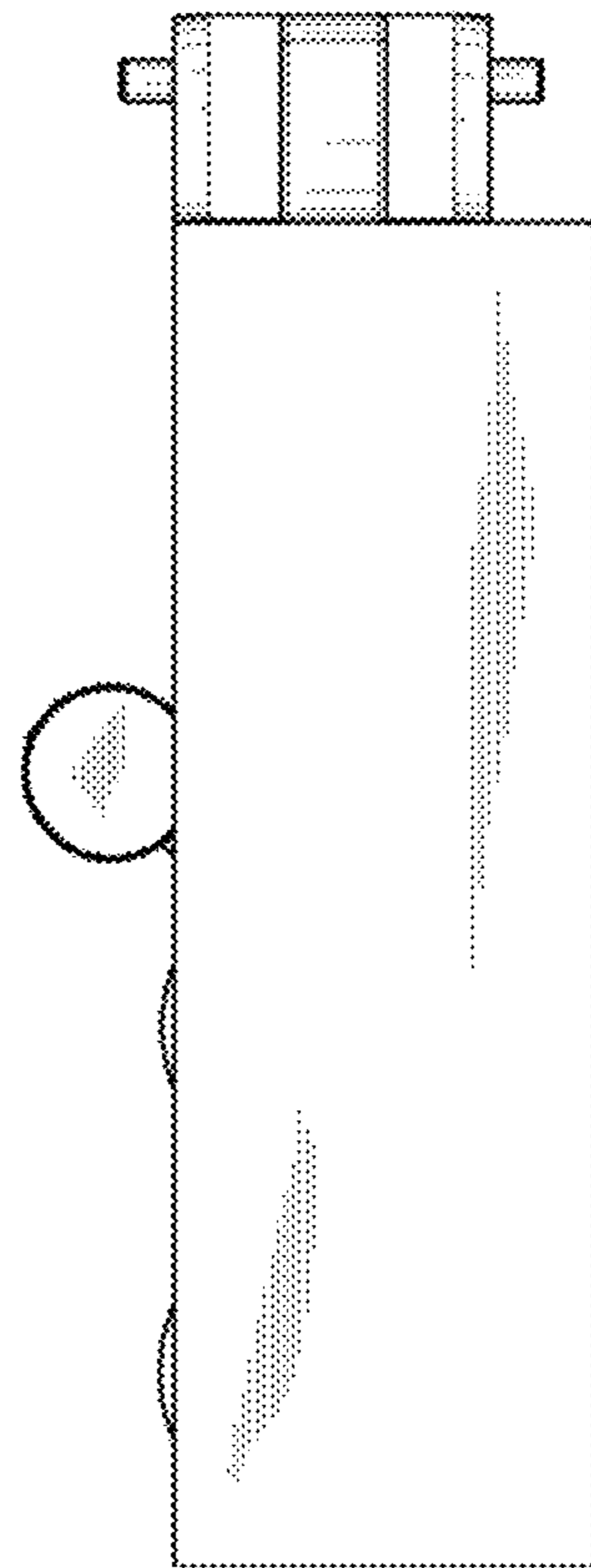


FIG. 2



**FIG. 3**



**FIG. 4**

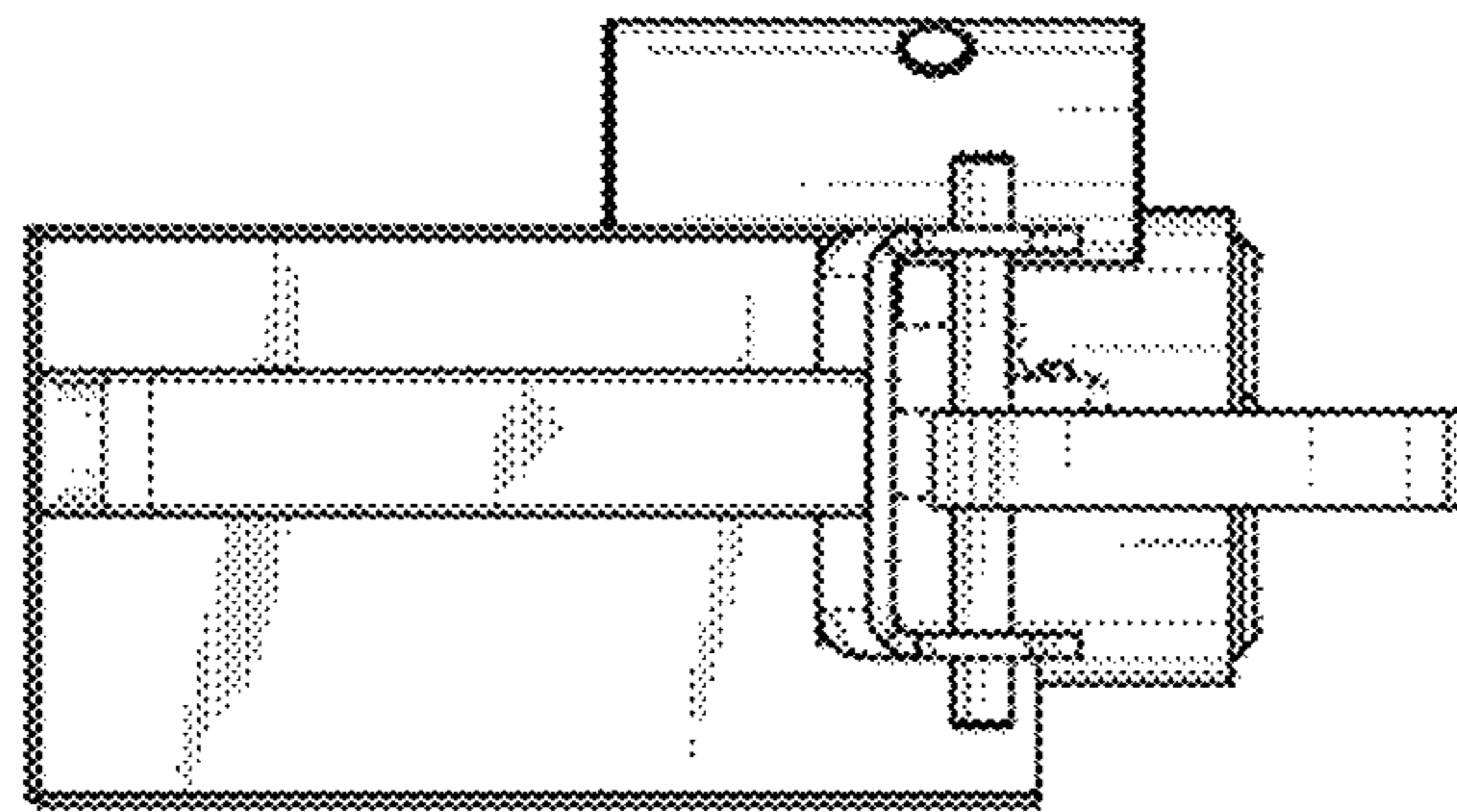


FIG. 5

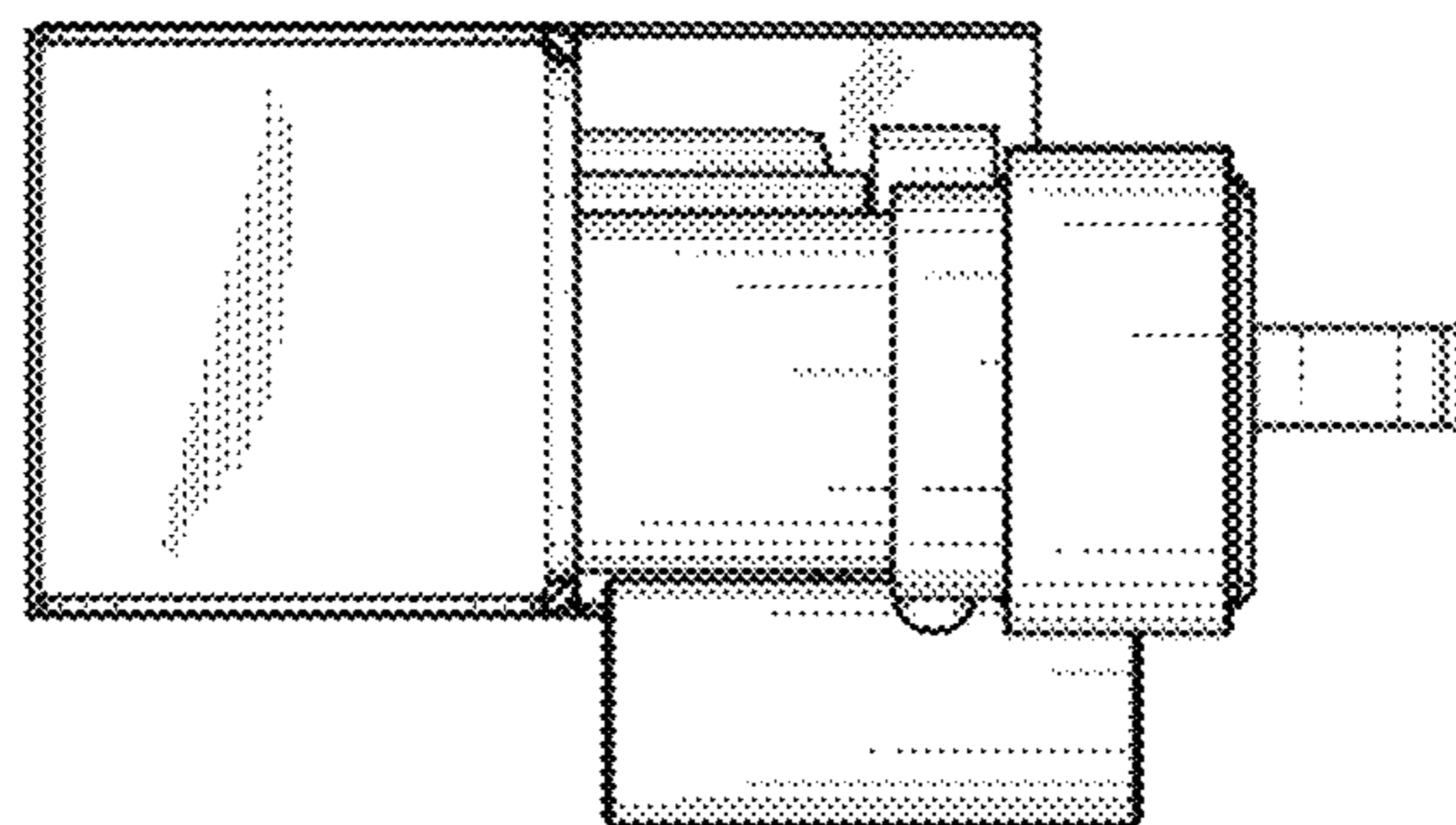


FIG. 6

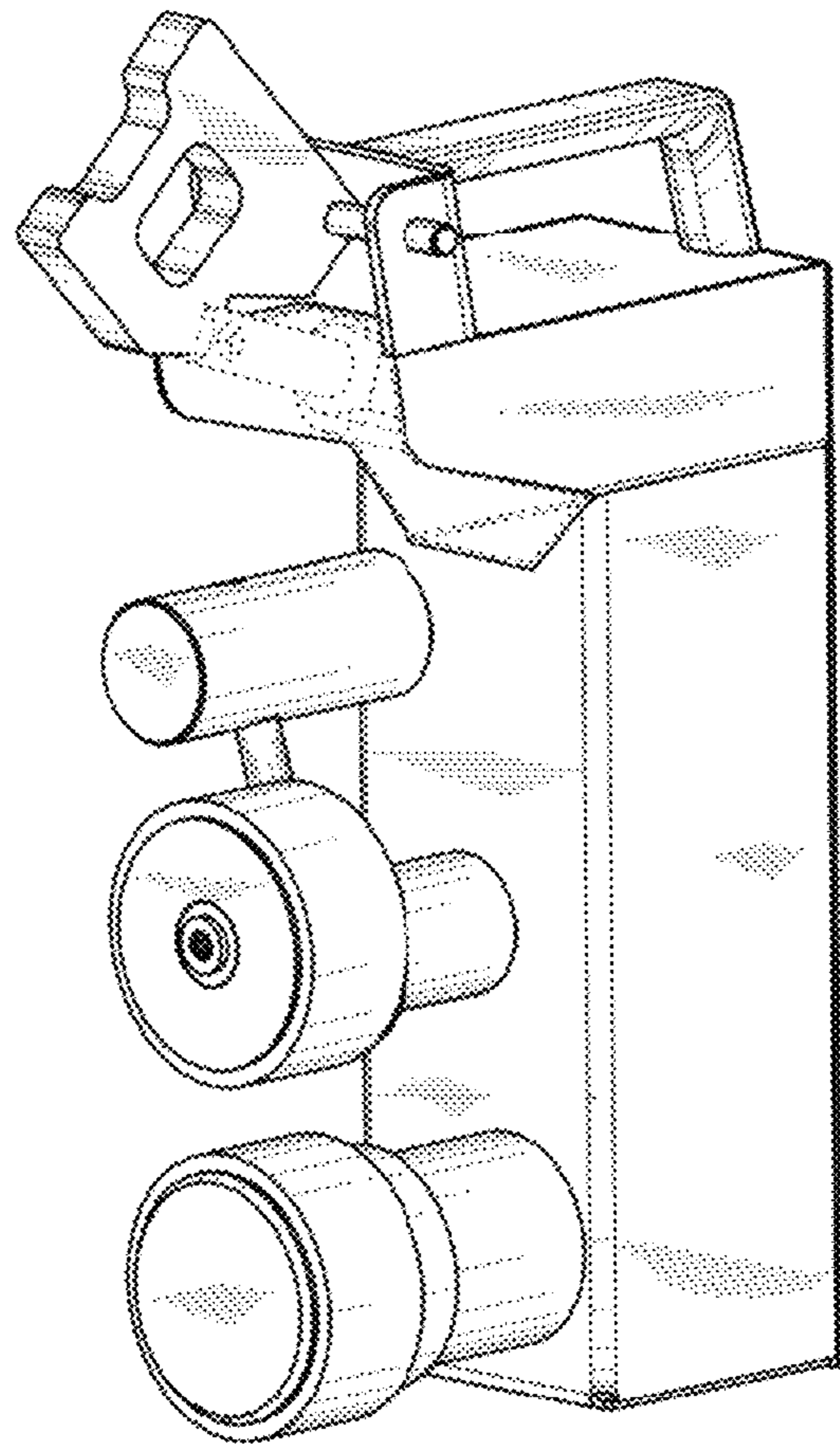


FIG. 7