



US00D833488S

(12) **United States Design Patent** (10) **Patent No.:** **US D833,488 S**  
**McCloskey et al.** (45) **Date of Patent:** **\*\* Nov. 13, 2018**

(54) **BRICK MAKER**

(71) Applicant: **Relevant Play, LLC**, Denver, CO (US)

(72) Inventors: **David C. McCloskey**, Erie, CO (US);  
**John Bernard Eisert**, Loveland, CO (US);  
**Chad Lucero**, Englewood, CO (US);  
**Heidi Lyn Clemmer**, Fort Collins, CO (US)

(73) Assignee: **Relevant Play, LLC**, Denver, CO (US)

(\*\*) Term: **15 Years**

(21) Appl. No.: **29/583,043**

(22) Filed: **Nov. 1, 2016**

(51) **LOC (11) Cl.** ..... **15-03**

(52) **U.S. Cl.**  
USPC ..... **D15/135**

(58) **Field of Classification Search**  
USPC ..... D15/135, 136; D7/672, 677; D25/124,  
D25/136, 137; D21/468, 472, 471, 483,  
D21/493, 494, 484  
CPC ..... E04C 2/38; E04C 2/46; E04C 1/39; E04C  
2/02; E04C 2/24; E04C 2/246; E04C  
2/296; E04C 1/397; E04C 2/205; E04C  
2/288; E04C 1/00; E04C 1/395; E04C  
1/40; E04C 2002/008; E04C 2003/0491;  
E04C 2/34; E04C 2/386; E04C 2/525;  
E04C 3/08

See application file for complete search history.

(56) **References Cited**

**U.S. PATENT DOCUMENTS**

D285,796 S \* 9/1986 Doyel ..... D15/123  
D359,368 S \* 6/1995 Anderson ..... D25/136  
6,631,595 B1 \* 10/2003 Minter ..... E06B 1/62  
49/504  
D537,962 S \* 3/2007 Habeck ..... D25/124

(Continued)

*Primary Examiner* — Ian Simmons

*Assistant Examiner* — Khawaja Anwar

(74) *Attorney, Agent, or Firm* — Lathrop Gage LLP

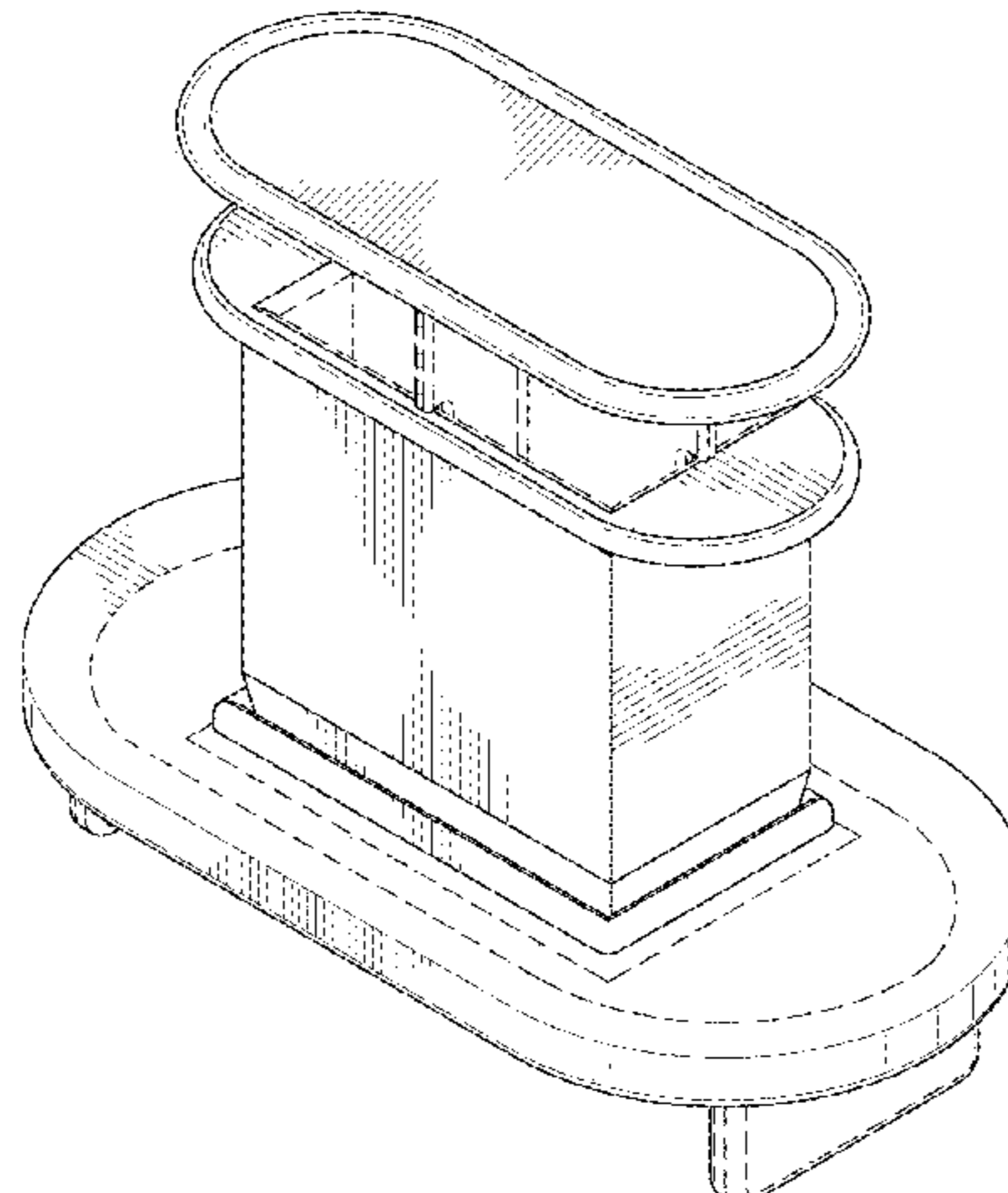
(57) **CLAIM**

The ornamental design for a brick maker, as shown and described.

**DESCRIPTION**

FIG. 1 is a top-front perspective view of a brick maker in an assembled position showing the new design; FIG. 2 is a side elevation view thereof; FIG. 3 is a front elevation view thereof; FIG. 4 is a top plan view thereof; FIG. 5 is a bottom plan view thereof; FIG. 6 is a top-front perspective view of the brick maker, in an exploded view showing the base, the cutter and the plunger; FIG. 7 is a top-front perspective view of the base of the brick maker; FIG. 8 is a side elevation view thereof; FIG. 9 is a front elevation view thereof; FIG. 10 is a top plan view thereof; FIG. 11 is a bottom plan view thereof; FIG. 12 is a top-front perspective view of the cutter of the brick maker; FIG. 13 is a side elevation view thereof; FIG. 14 is a front elevation view thereof; FIG. 15 is a top plan view thereof; FIG. 16 is a bottom plan view thereof, the shaded area is an open area; FIG. 17 is a top front perspective view of the plunger of the brick maker; FIG. 18 is a bottom-front perspective view thereof; FIG. 19 is a side elevation view thereof; FIG. 20 is a front elevation view thereof; FIG. 21 is a top plan view thereof; and, FIG. 22 is a bottom plan view thereof. In FIGS. 1-22, broken lines indicate optional features of the brick maker that form no part of the claimed design.

**1 Claim, 22 Drawing Sheets**



(56)

**References Cited**

U.S. PATENT DOCUMENTS

D715,375 S \* 10/2014 Li ..... D21/468  
D716,383 S \* 10/2014 Li ..... D21/468

\* cited by examiner

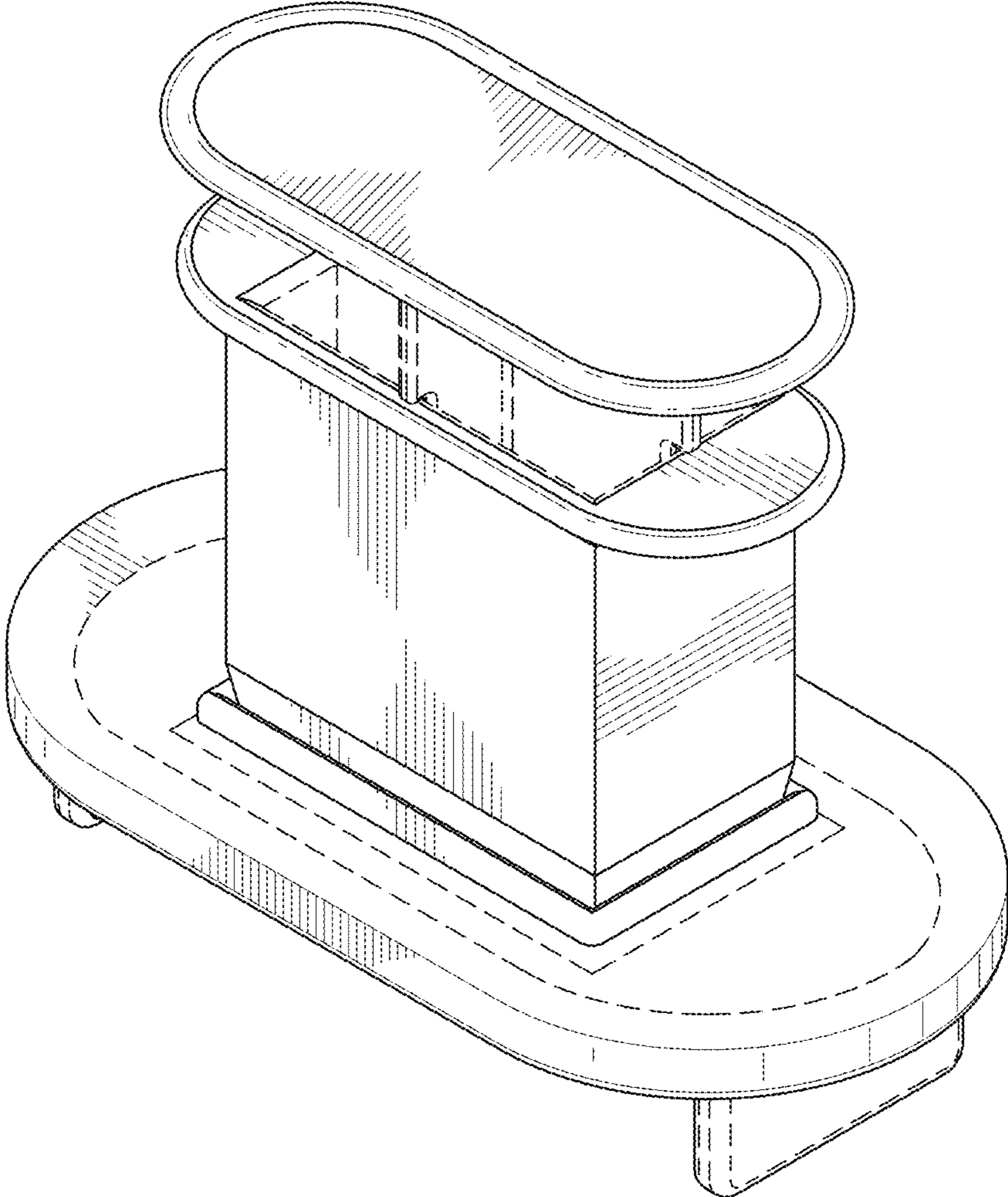


FIG. 1

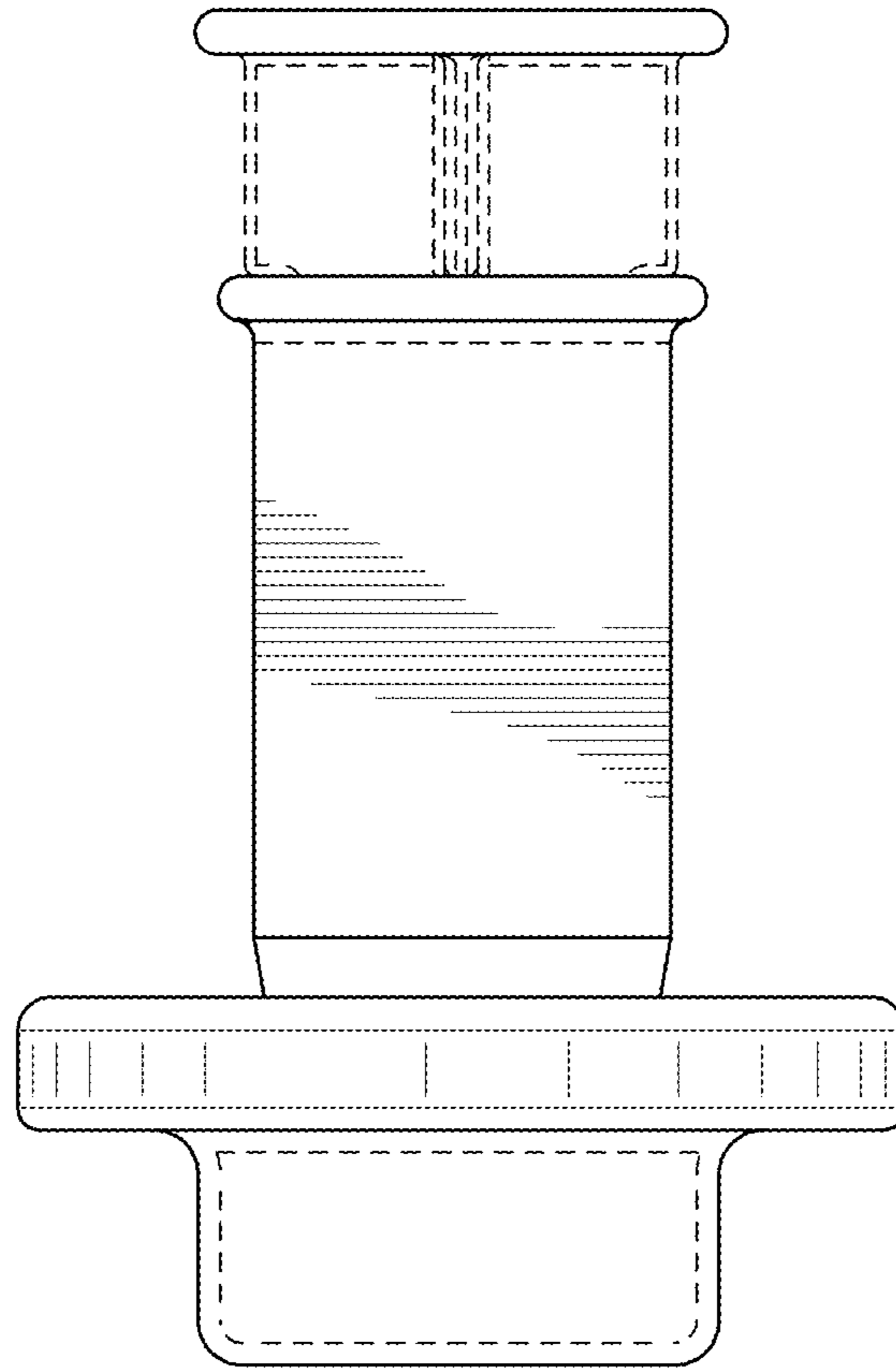


FIG. 2

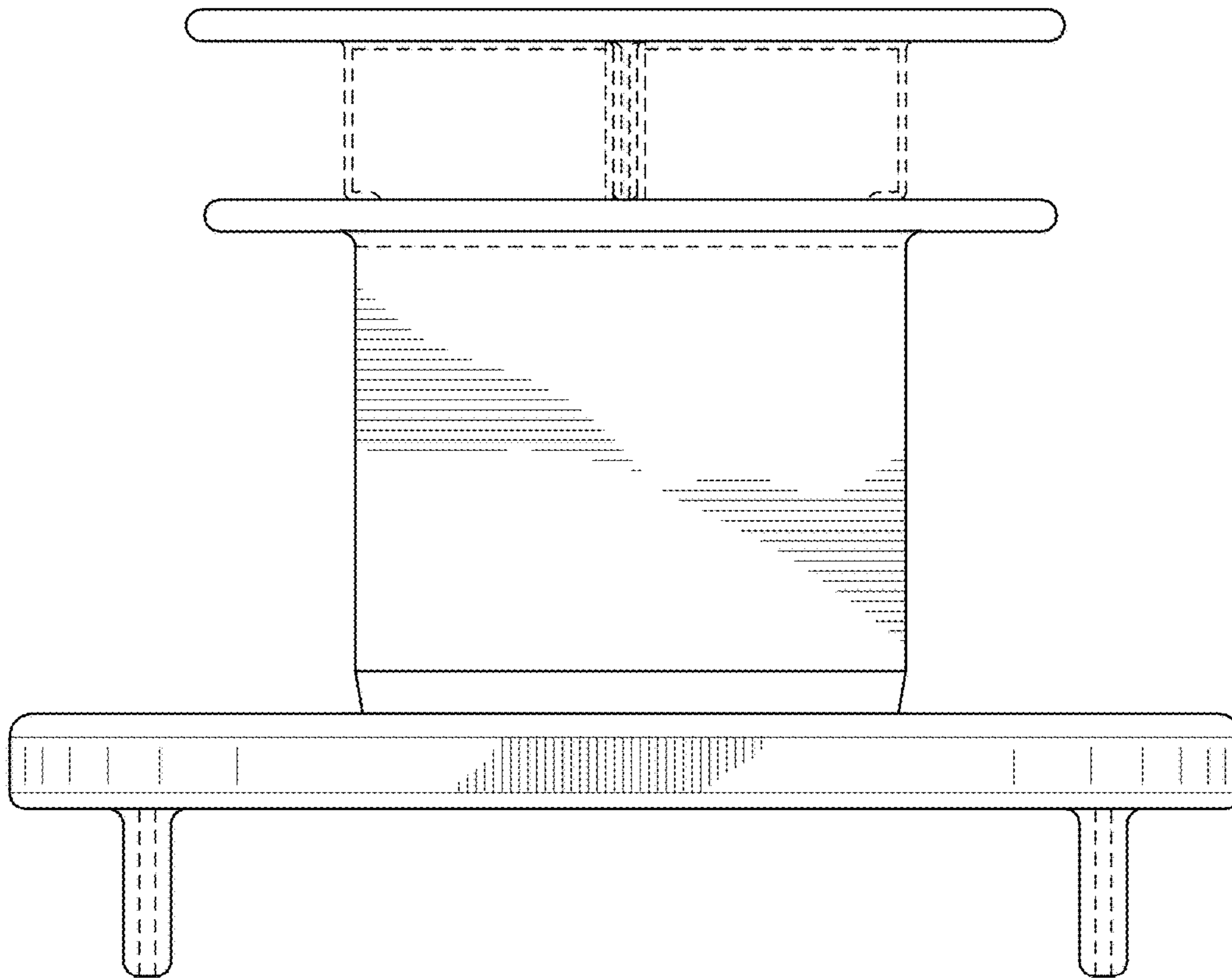


FIG. 3

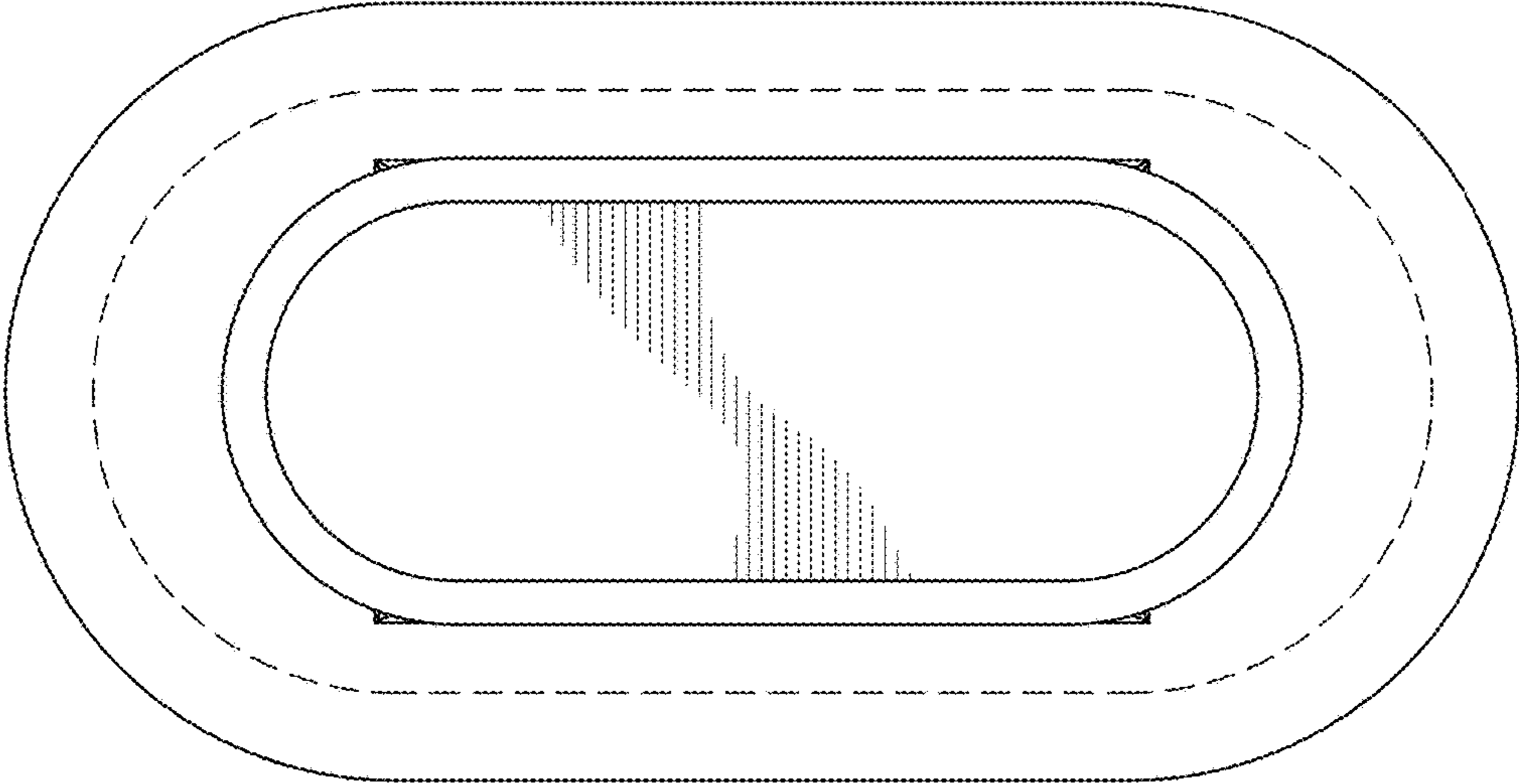


FIG. 4



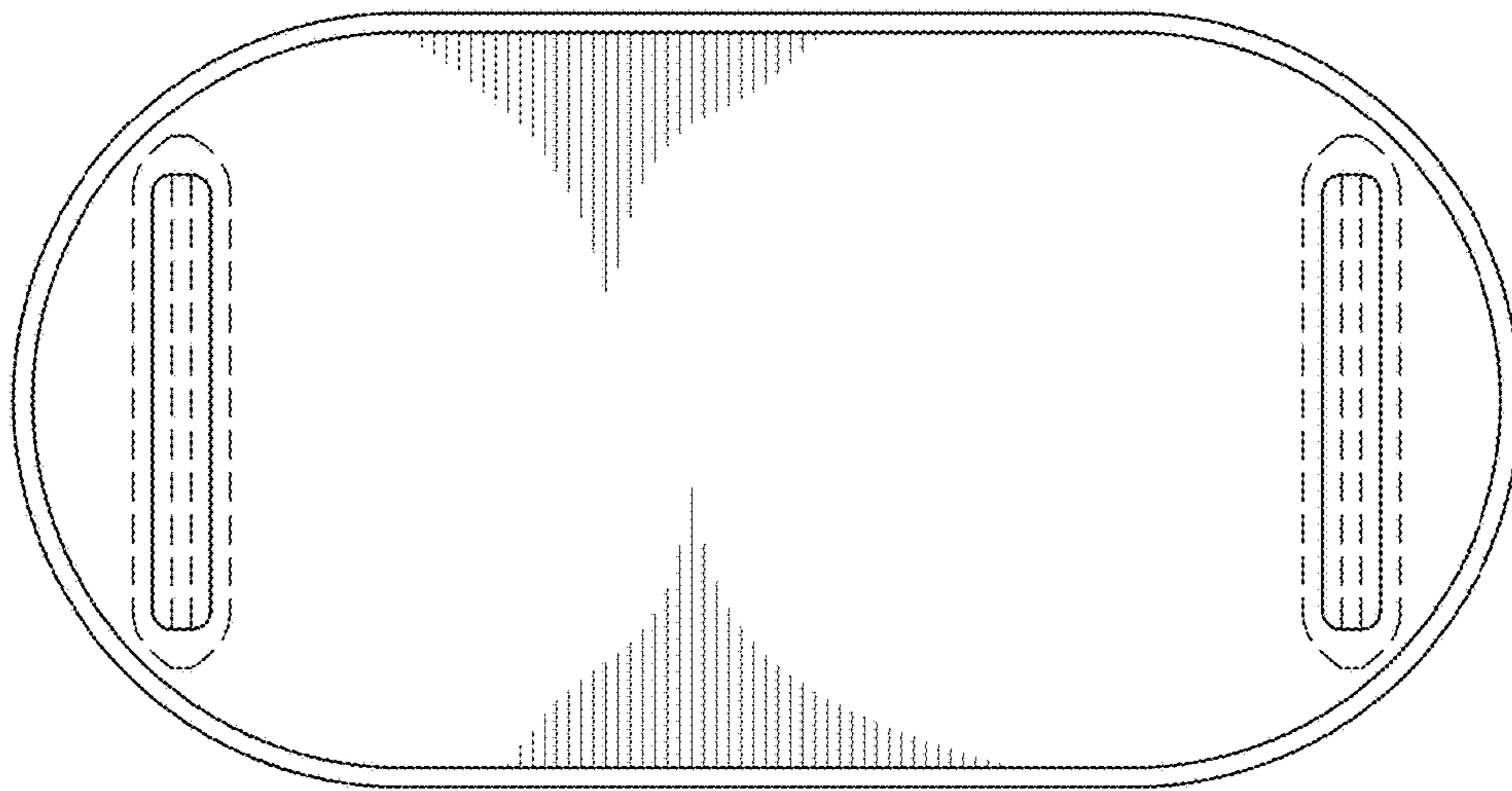


FIG. 5

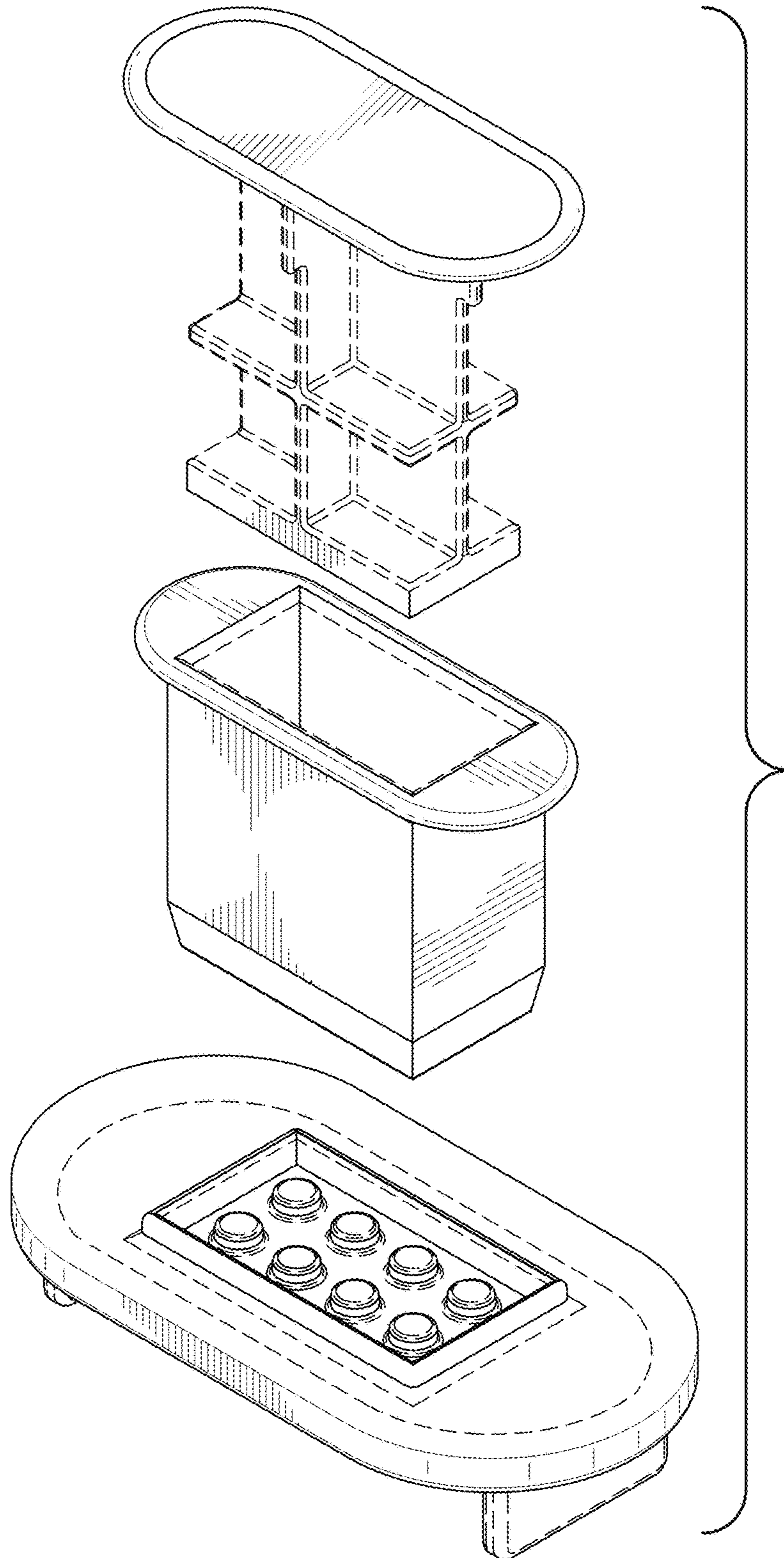


FIG. 6



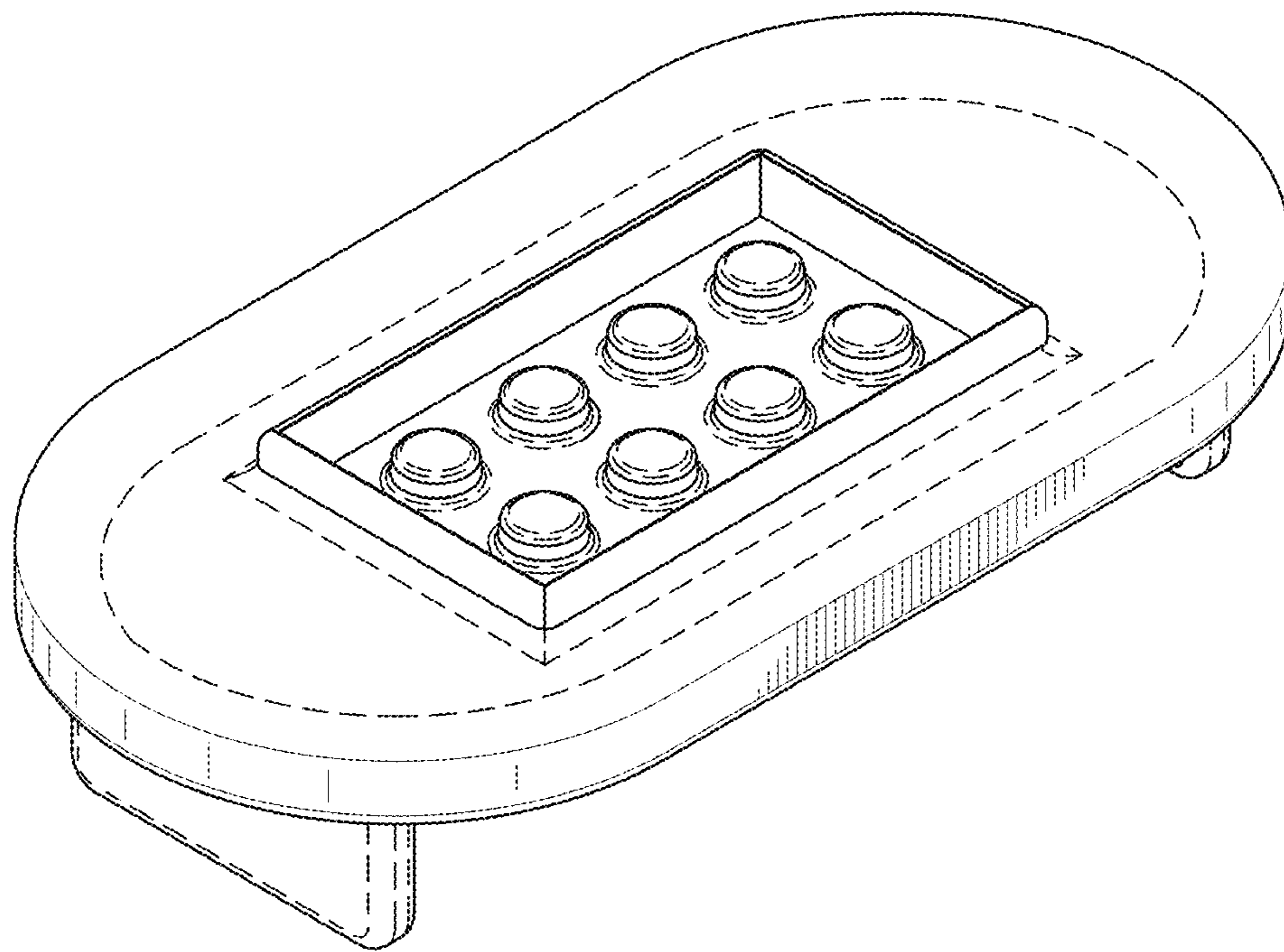


FIG. 7

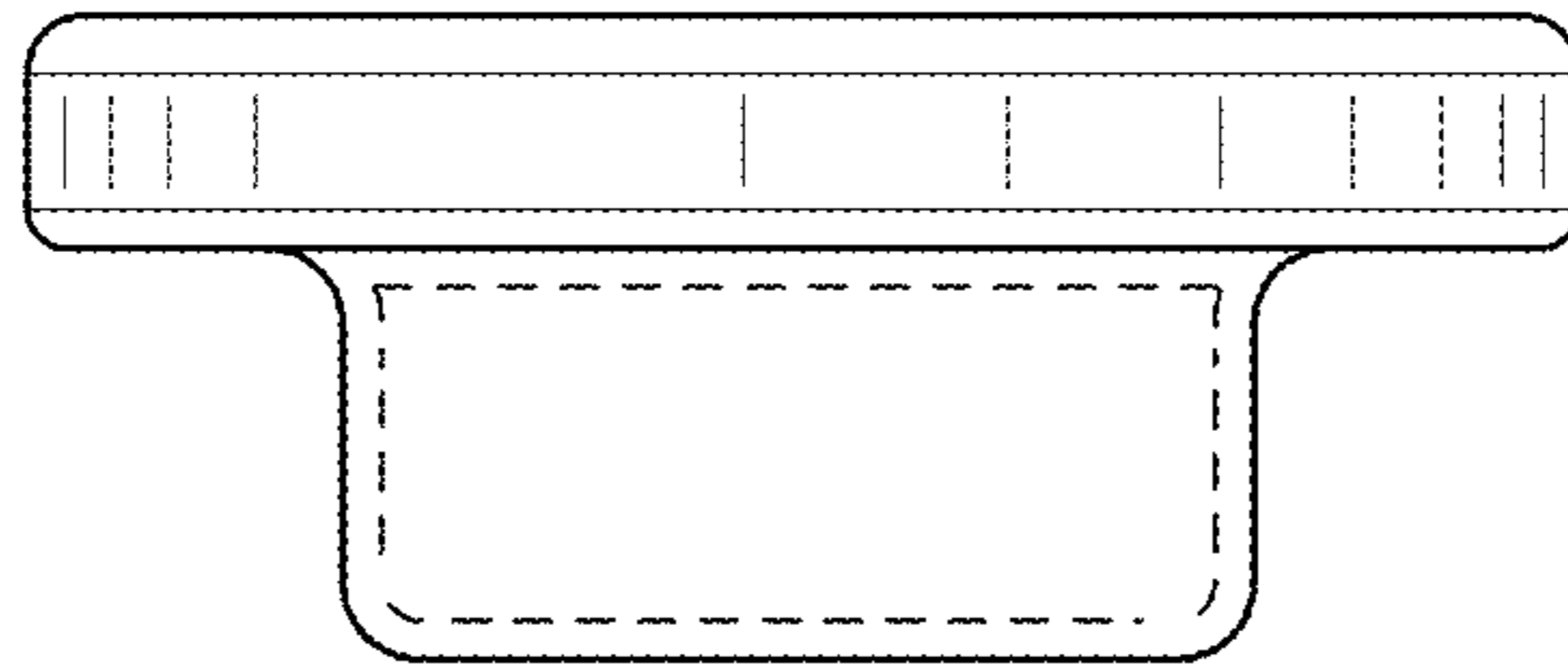


FIG. 8

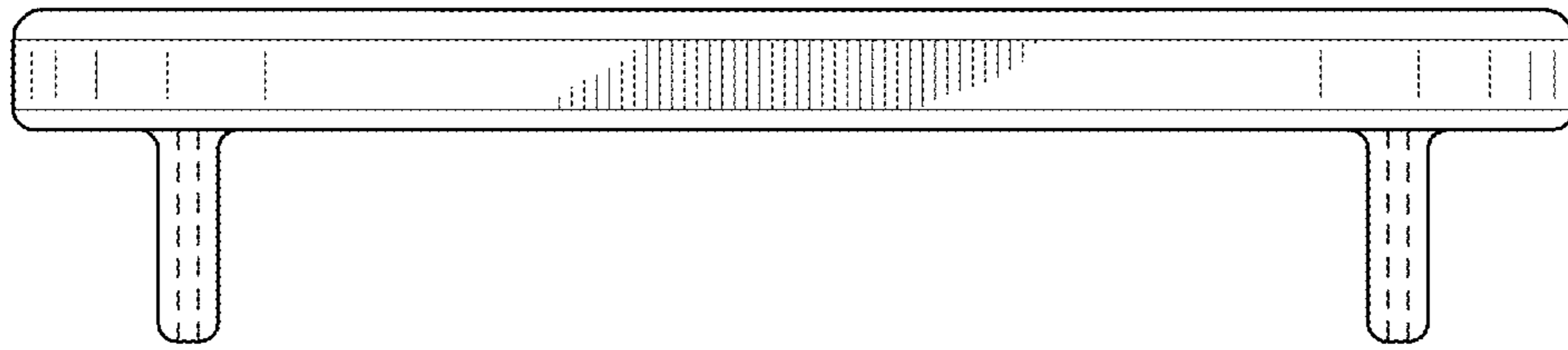


FIG. 9

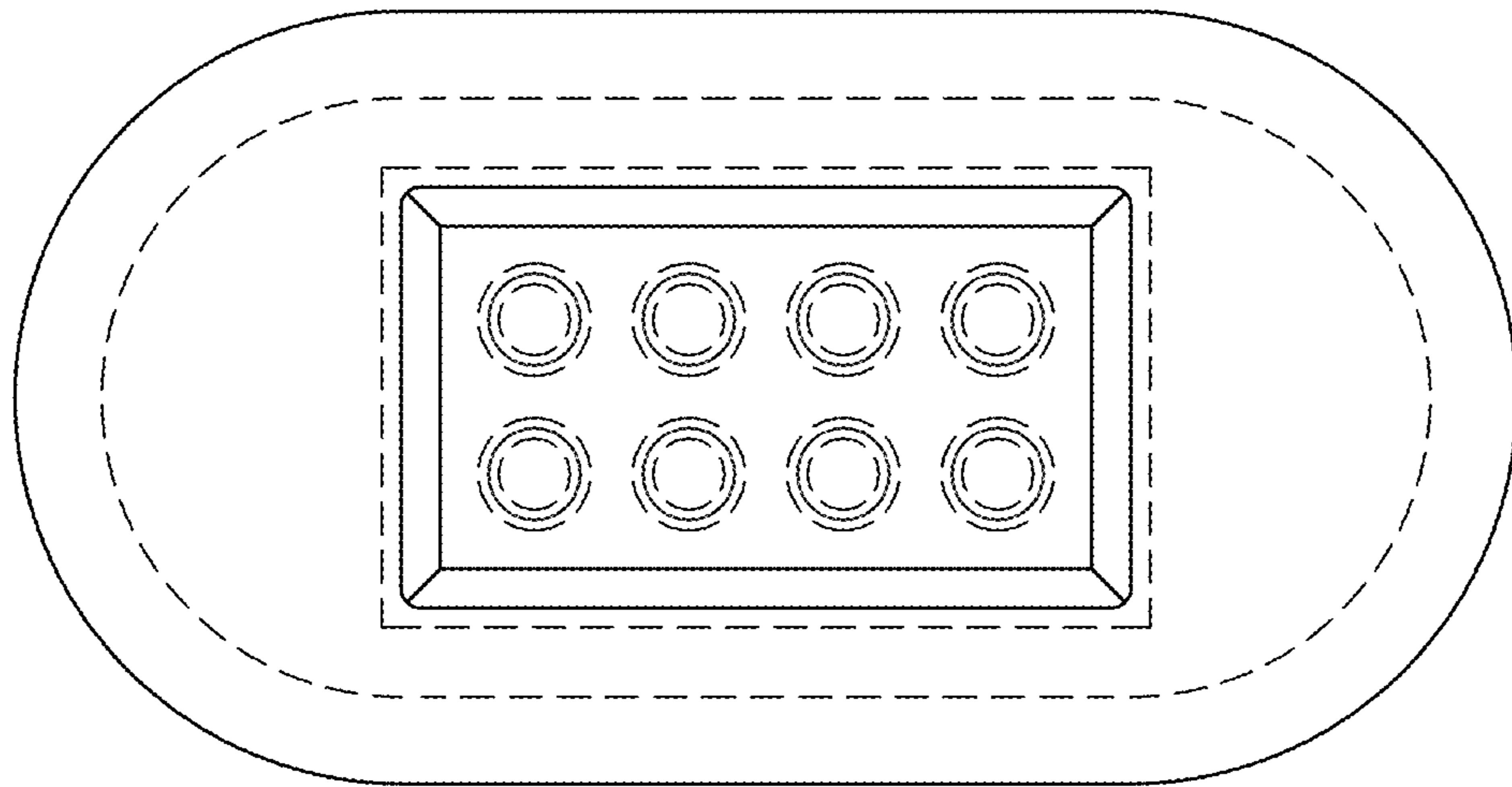


FIG. 10

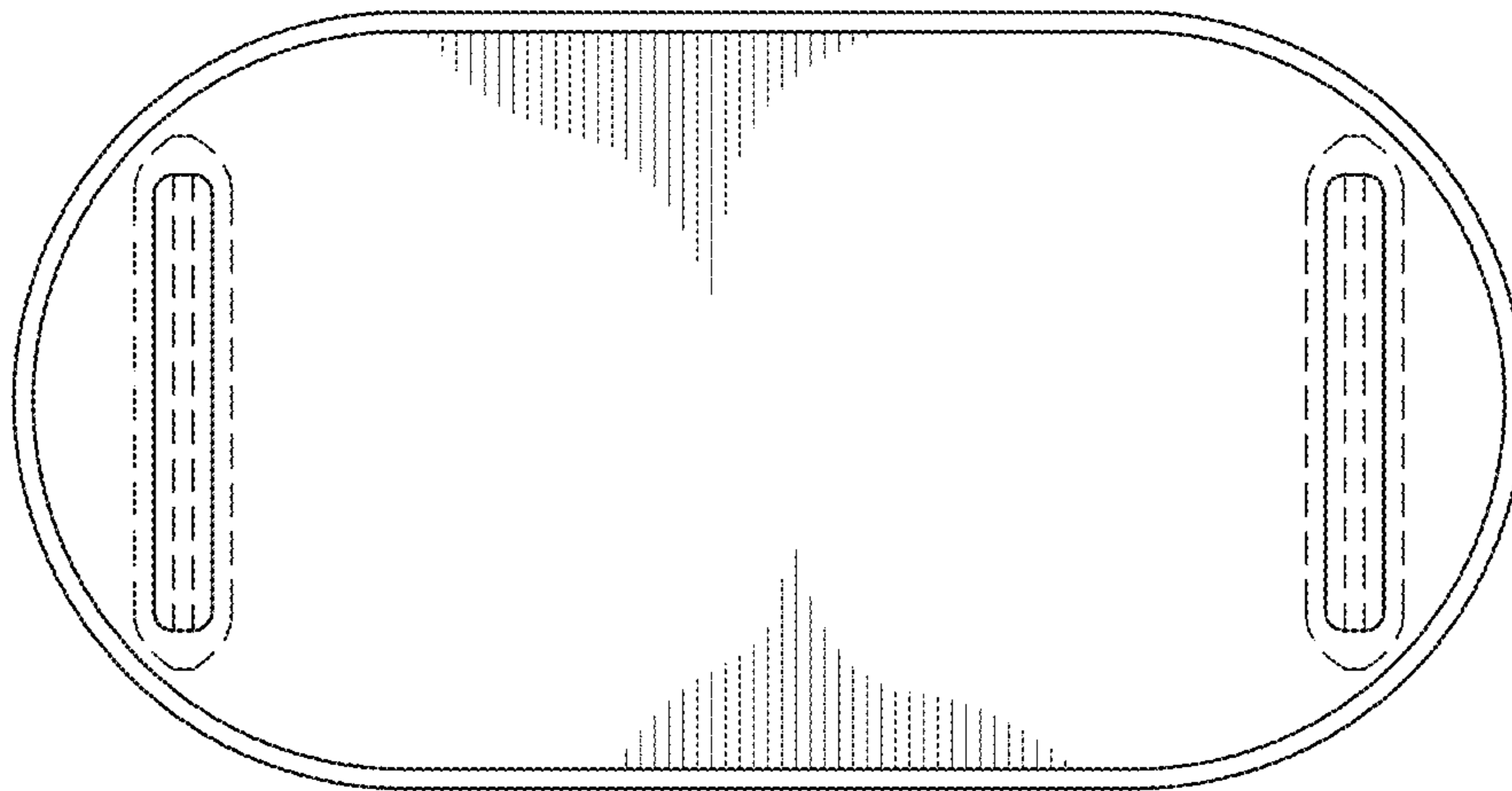


FIG. 11

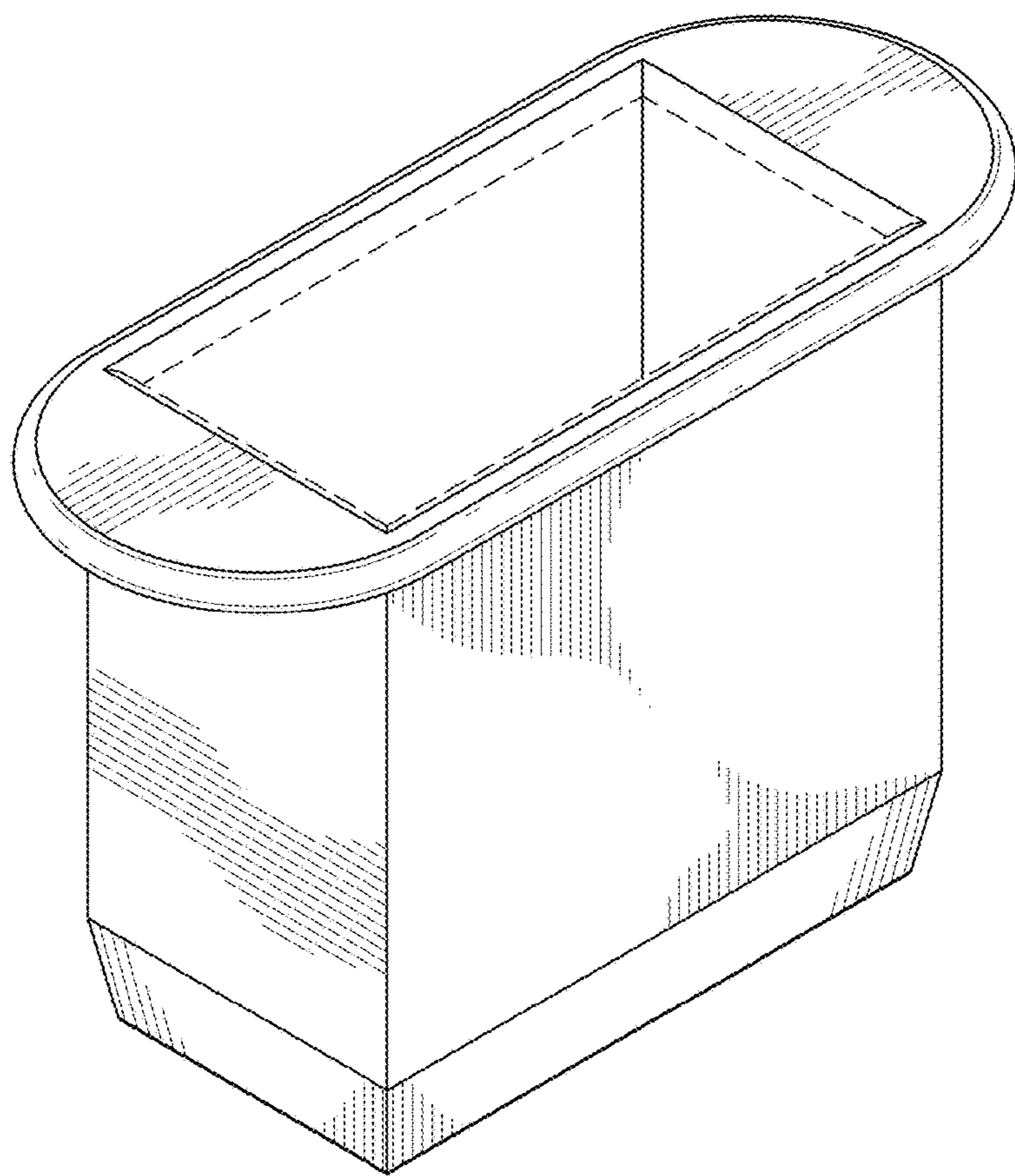


FIG. 12



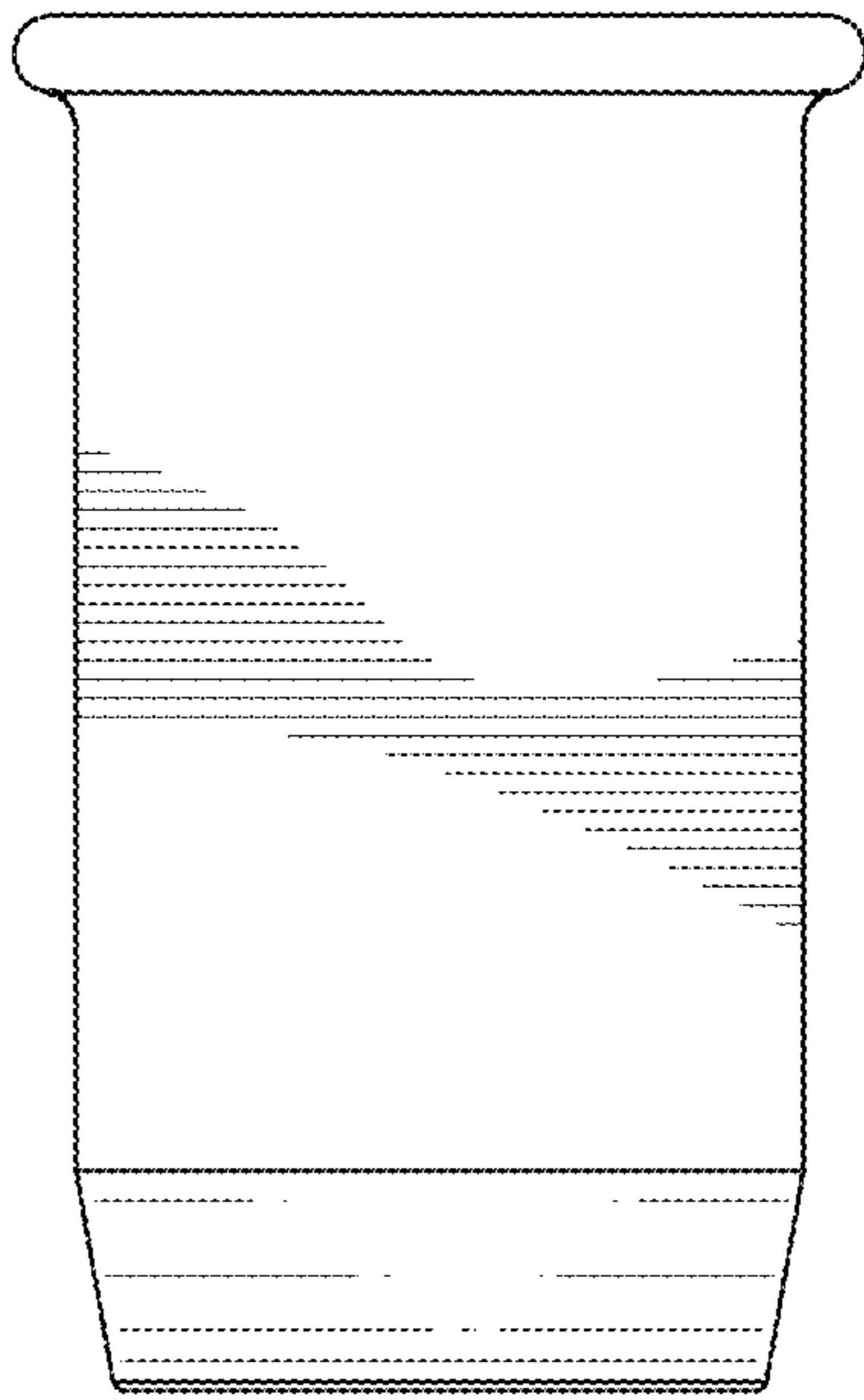


FIG. 13

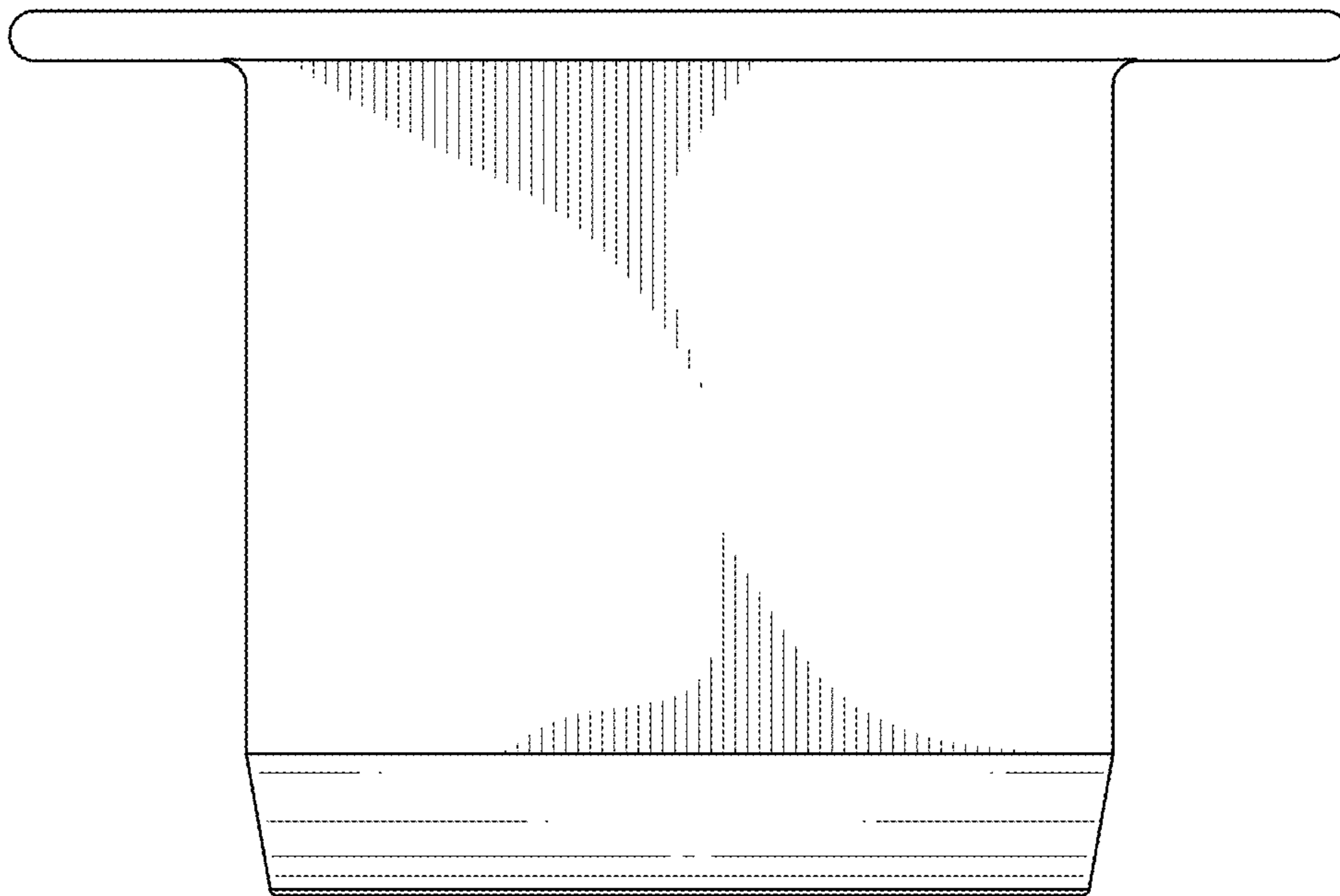


FIG. 14

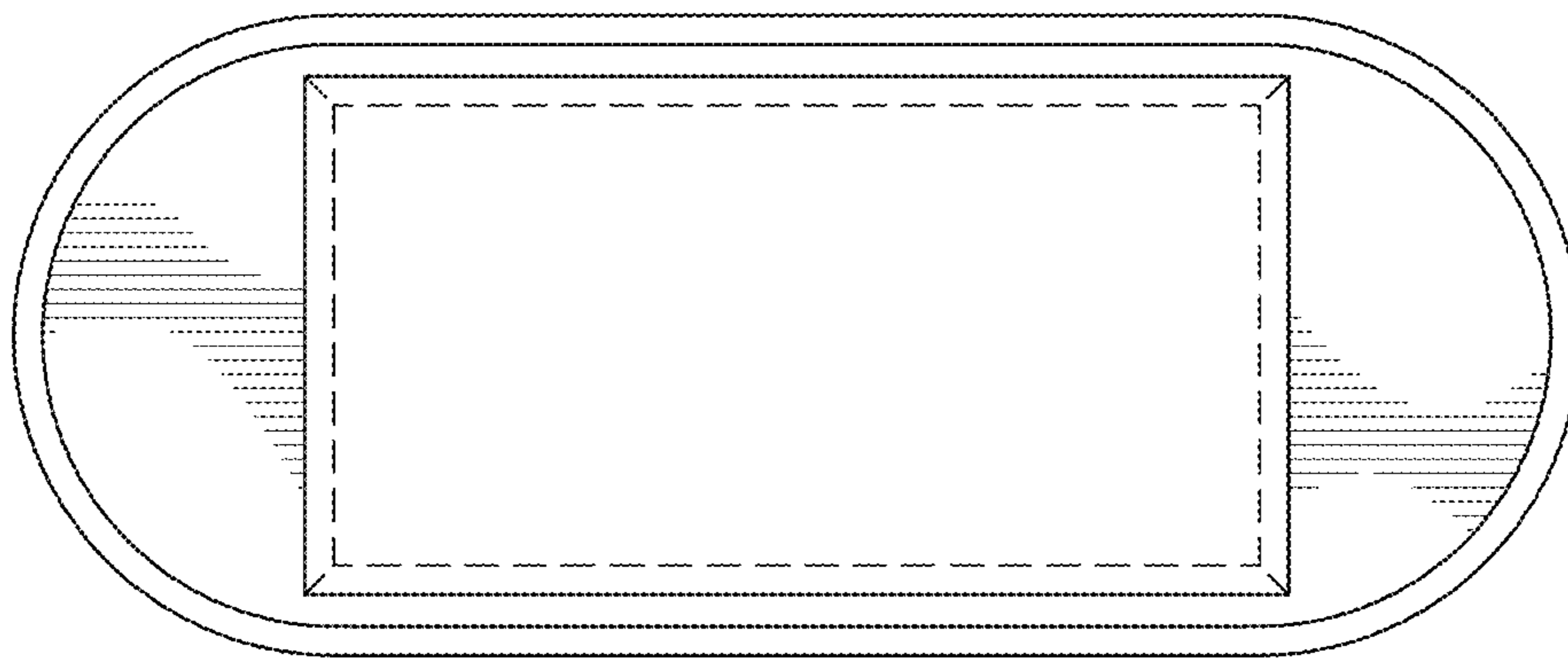


FIG. 15

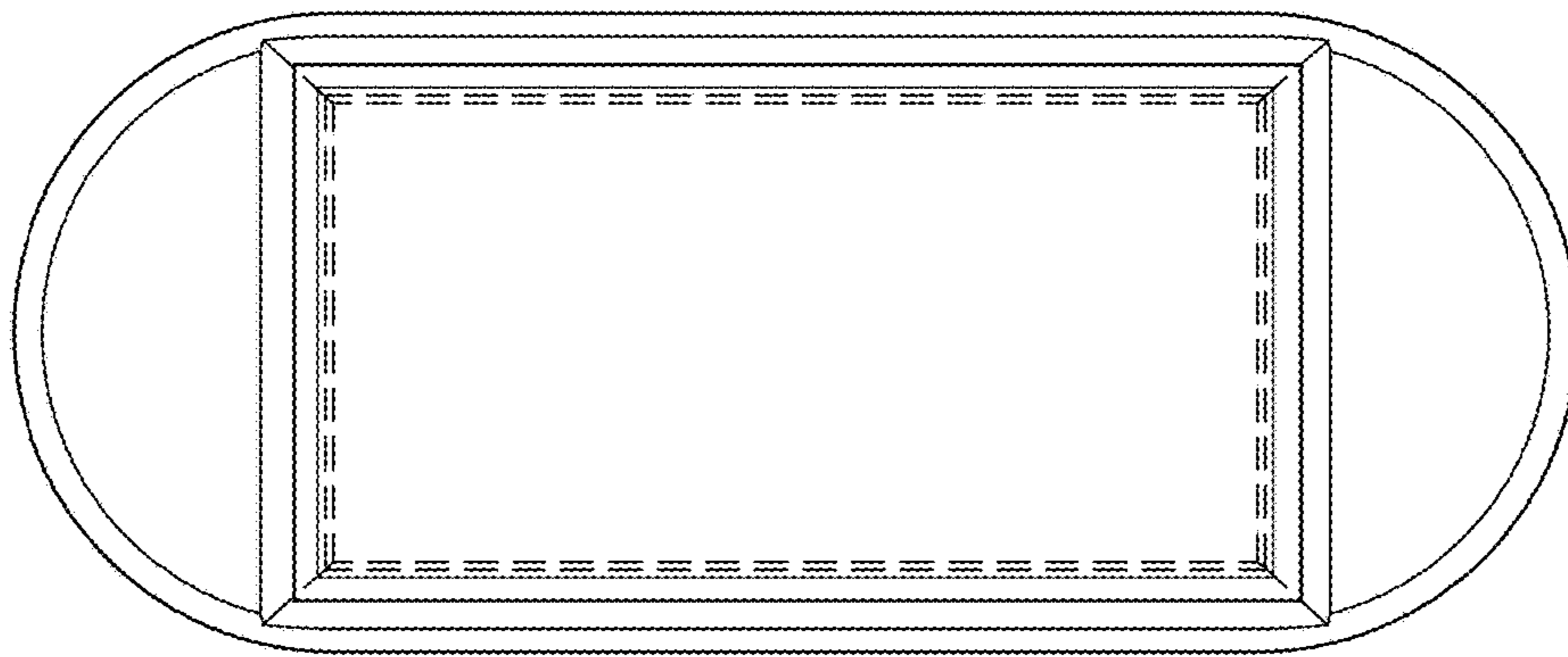


FIG. 16

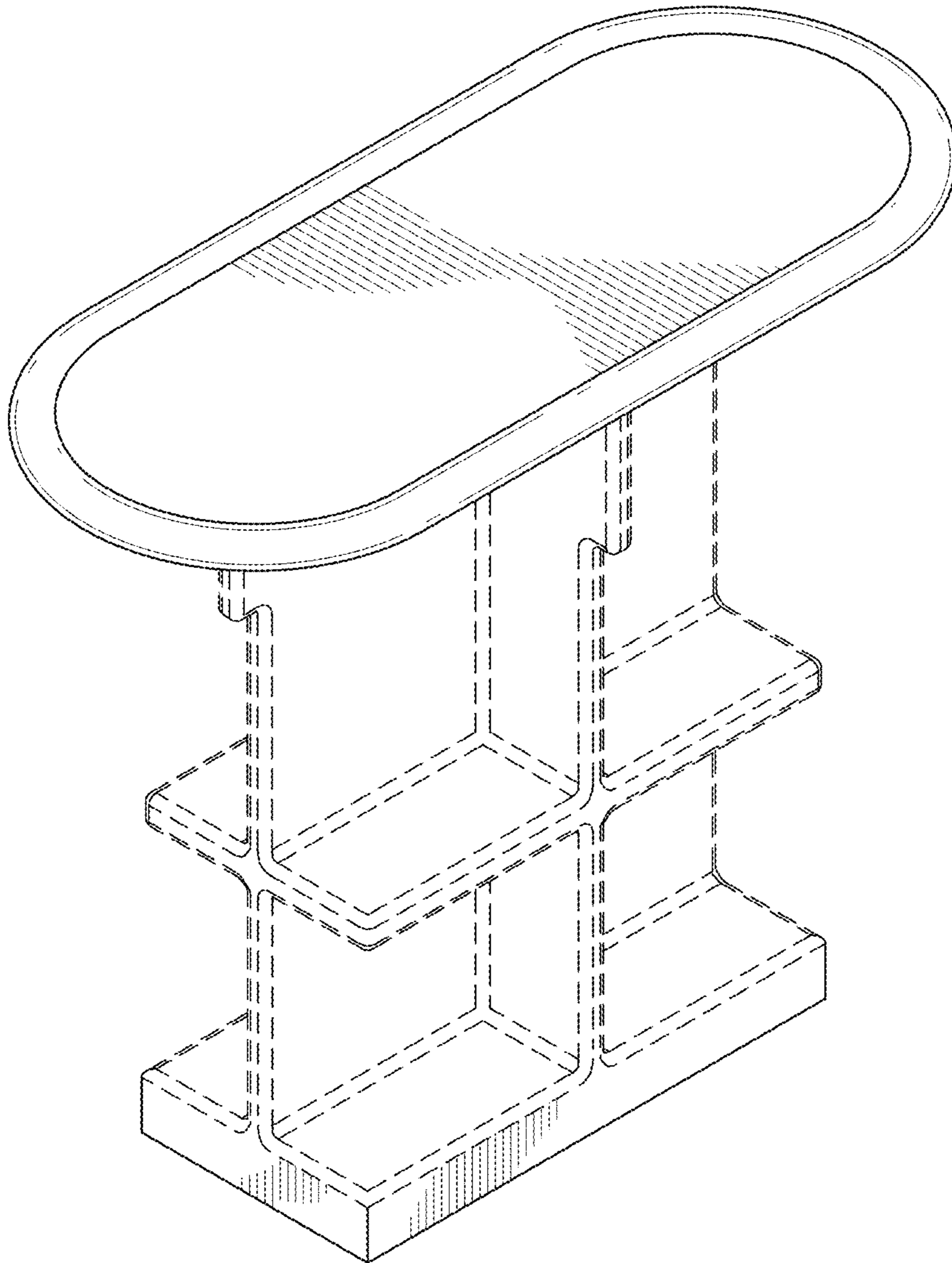


FIG. 17

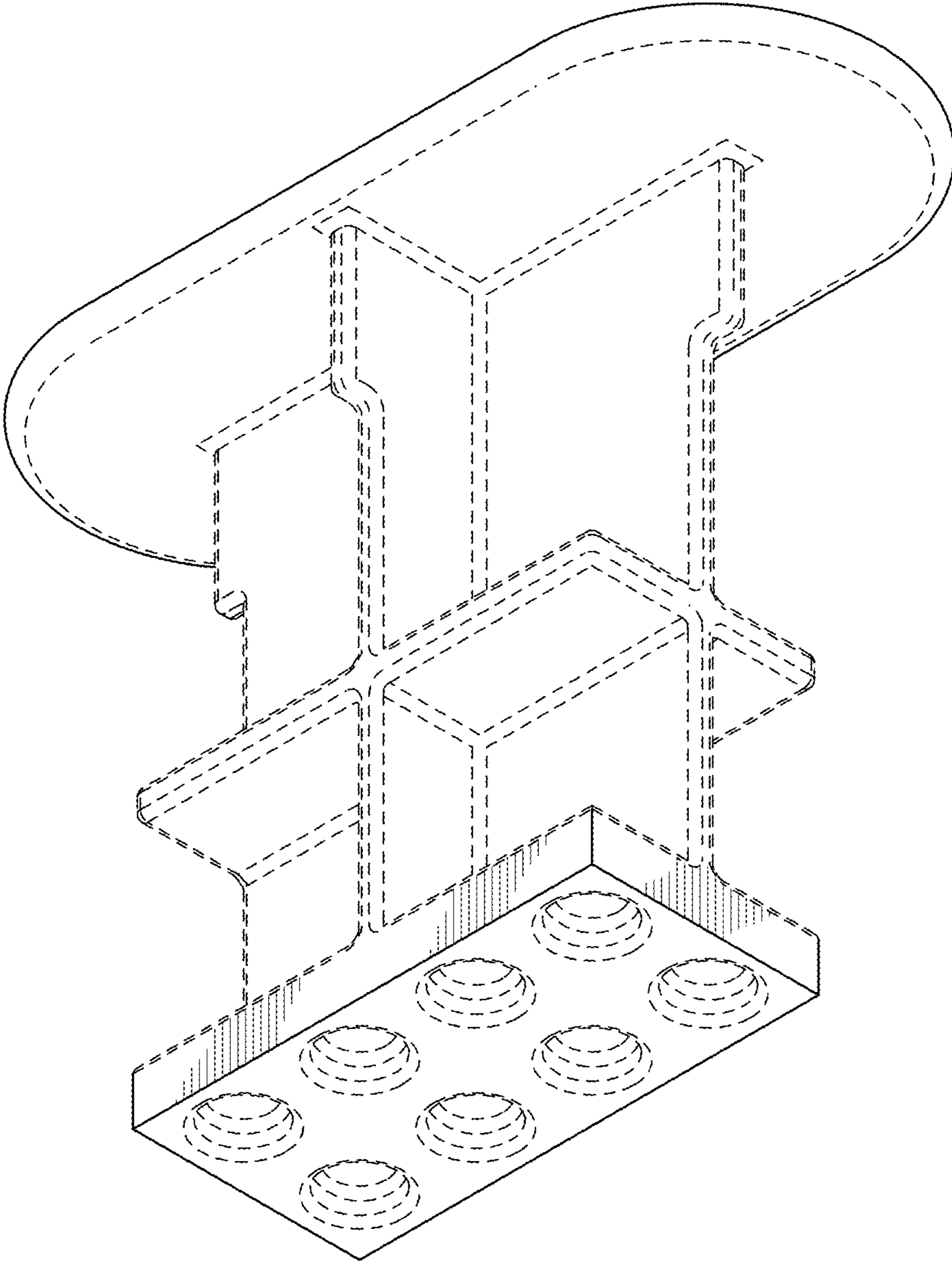


FIG. 18



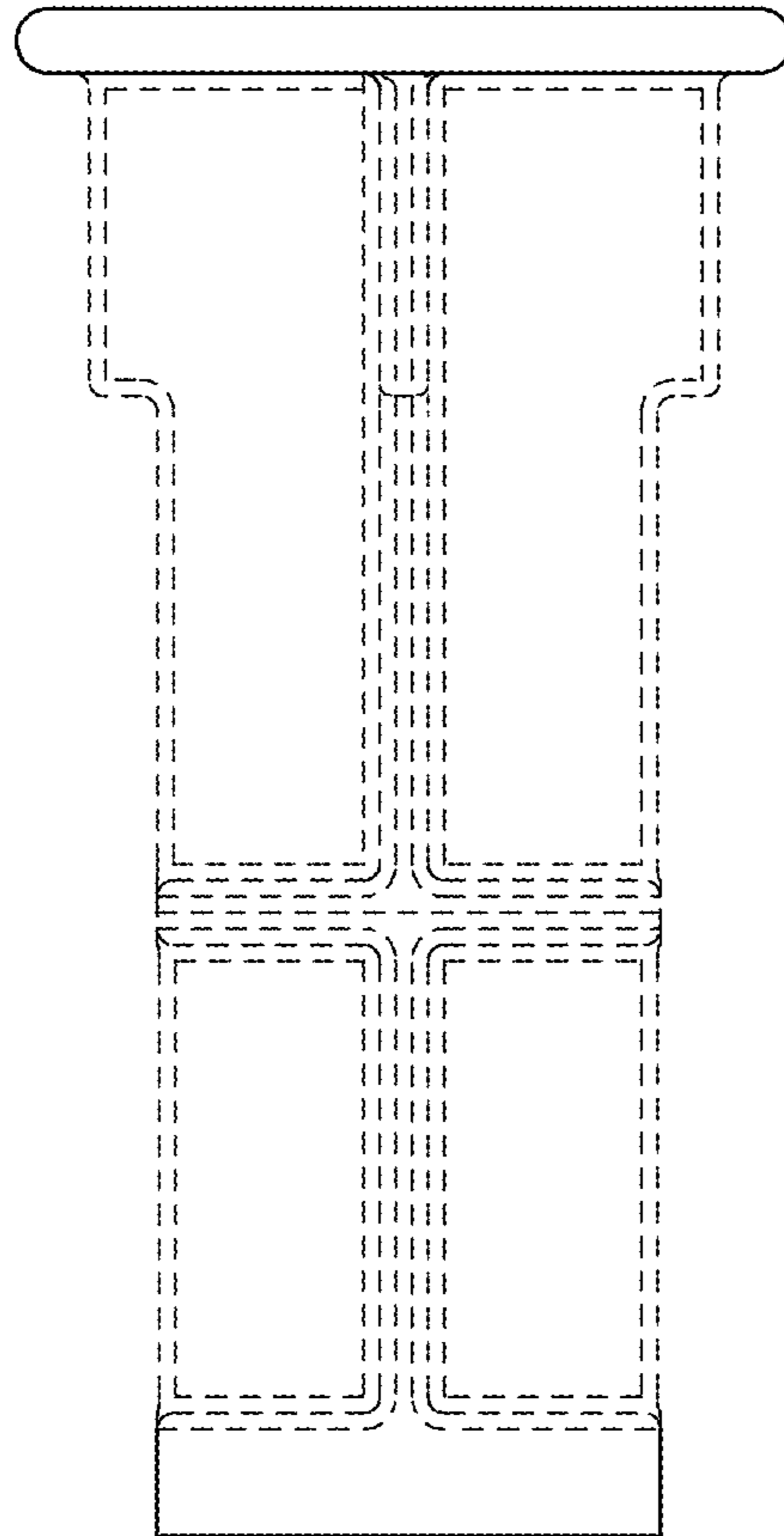


FIG. 19

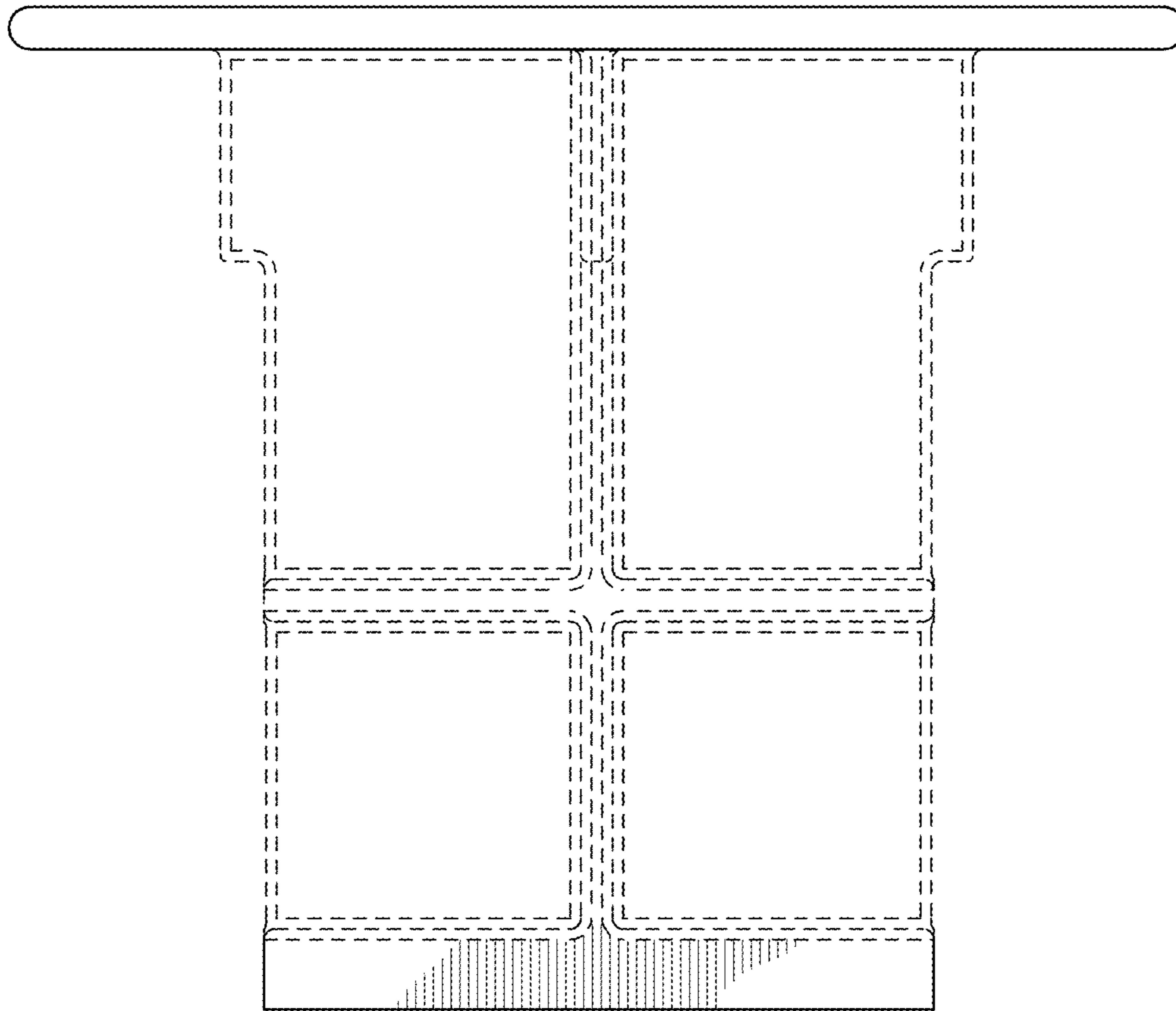


FIG. 20

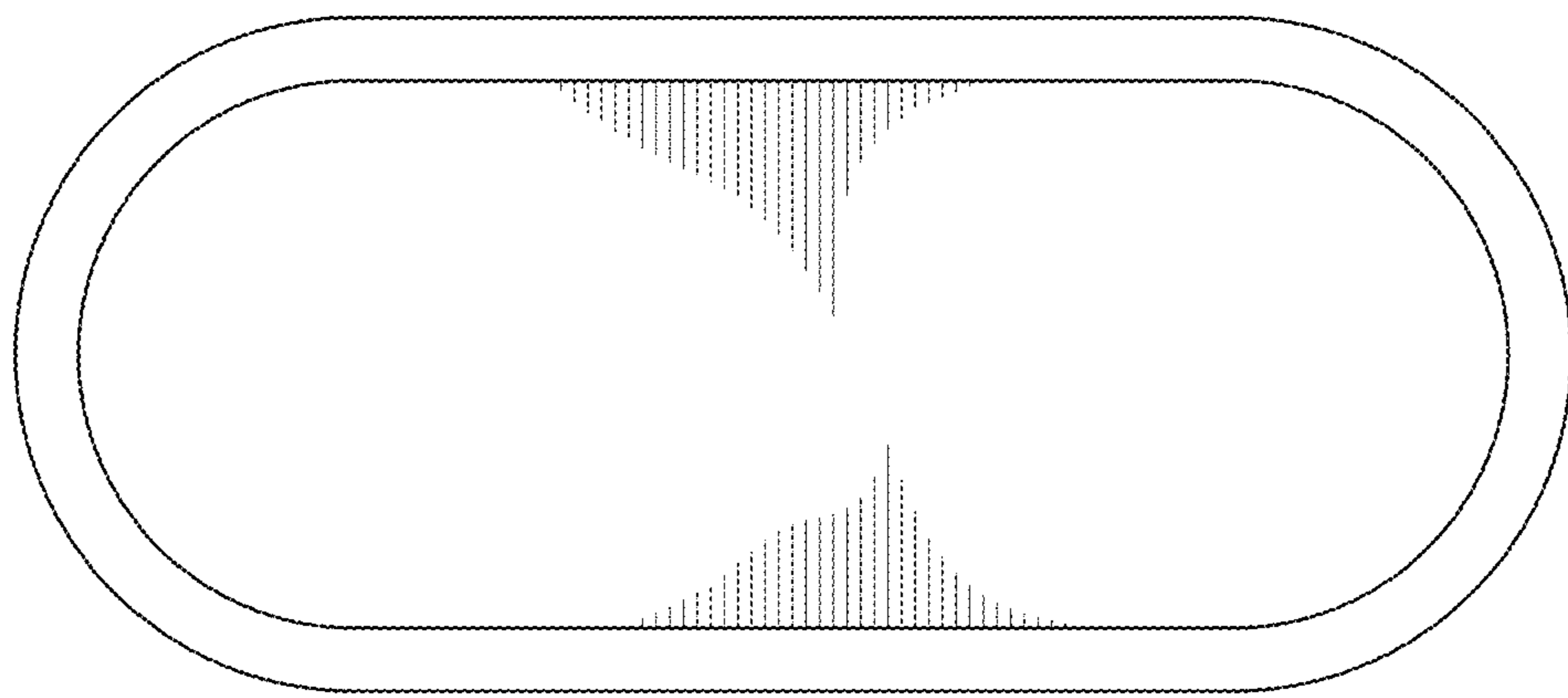


FIG. 21

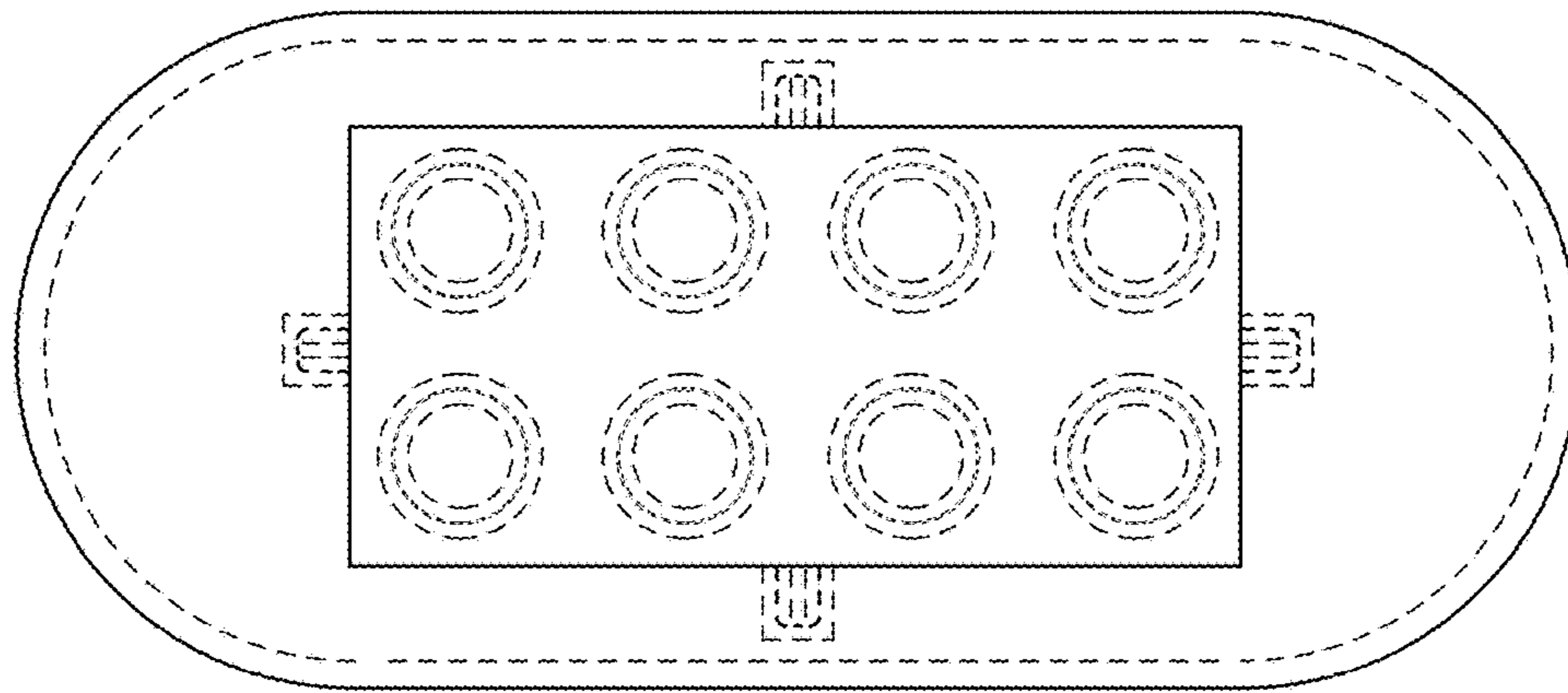


FIG. 22