



US00D833486S

(12) **United States Design Patent** (10) **Patent No.:** **US D833,486 S**  
**Dretzka et al.** (45) **Date of Patent:** **\*\* Nov. 13, 2018**

(54) **LAWN MOWER POWERHEAD**

(71) Applicant: **The Toro Company**, Bloomington, MN (US)

(72) Inventors: **Philip C. Dretzka**, Woodbury, MN (US); **Leif A. Erickson**, Seattle, WA (US)

(73) Assignee: **THE TORO COMPANY**, Bloomington, MN (US)

(\*\*) Term: **15 Years**

(21) Appl. No.: **29/616,616**

(22) Filed: **Sep. 7, 2017**

(51) **LOC (11) Cl.** ..... **15-03**

(52) **U.S. Cl.**  
USPC ..... **D15/17**

(58) **Field of Classification Search**  
USPC ..... D15/10, 14-18; 56/12.8, 12.7, 13.4, 56/16.7, 17.5, 202, 254, 255, 294, 11.4, 56/320.1, 320.2, 249, 252, 11.9, 17.1, 56/17.4, 295; 280/43.17

CPC .... A01D 42/04; A01D 42/00; A01D 2101/00; A01D 34/63; A01D 43/063

See application file for complete search history.

(56) **References Cited**

**U.S. PATENT DOCUMENTS**

D307,911 S 5/1990 Miyawaki et al.  
D330,210 S 10/1992 Sirois et al.  
D352,042 S 11/1994 Davies, III  
D352,043 S 11/1994 Davies, III  
D375,963 S \* 11/1996 Braun ..... D15/17  
D381,665 S 7/1997 Hinklin et al.

(Continued)

**FOREIGN PATENT DOCUMENTS**

EP 2 556 739 10/2014  
WO WO 2008/015479 A2 2/2008

**OTHER PUBLICATIONS**

Echo, 58 Volt 21 in. Lawn Mower "CLM-58V" Operator's Manual. OWT Industries, Inc., Nov. 21, 2014 (REV:03); 40 pages.

(Continued)

*Primary Examiner* — Mark A Goodwin

(74) *Attorney, Agent, or Firm* — Muetting, Raasch & Gebhardt, P.A.

(57) **CLAIM**

The ornamental design for a lawn mower powerhead, as shown and described.

**DESCRIPTION**

FIG. 1 is an upper left perspective view of a lawn mower powerhead in accordance with the claimed design and shown as part of a lawn mower;

FIG. 2 is a right side elevation view of the design of FIG. 1;

FIG. 3 is a left side elevation view of the design of FIG. 1;

FIG. 4 is a front elevation view of the design of FIG. 1;

FIG. 5 is a rear elevation view of the design of FIG. 1; and,

FIG. 6 is a top plan view of the design of FIG. 1.

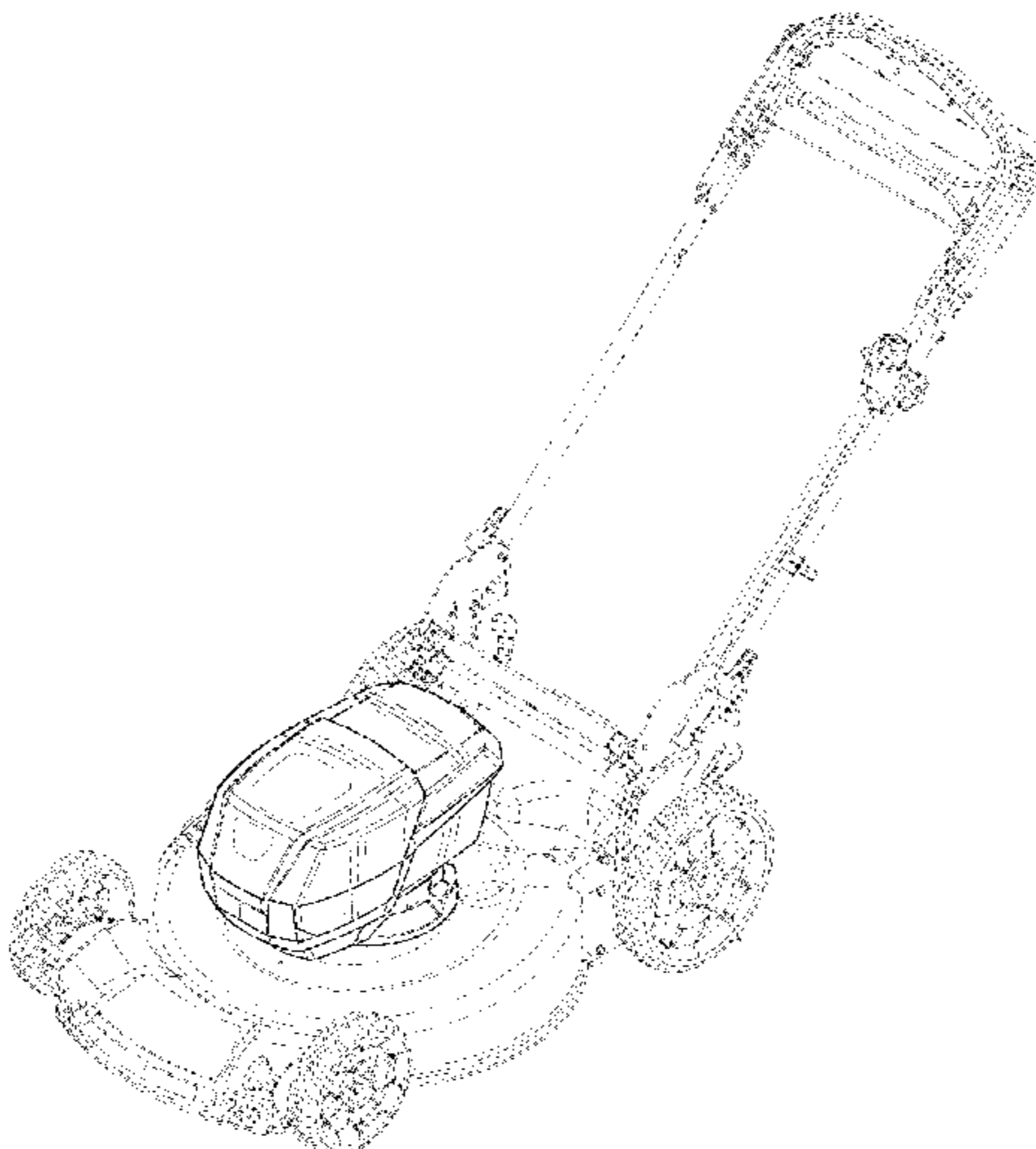
The bottom plan view of the design of FIG. 1 is omitted as it forms no part of the claimed design and/or is cumulative in view of the remaining figures.

The dash-dash broken lines in the figures (e.g., including portions depicting the handle, deck, and other parts of the lawn mower) represent environment and form no part of the claimed design.

The dot-dash broken lines in the figures represent a boundary between claimed and unclaimed subject matter, the area within forming no part of the claimed design.

The labels used herein to describe orientation (e.g., top, bottom, left, right) are merely for reference and are not intended to limit the interpretation of the design.

**1 Claim, 6 Drawing Sheets**



(56)

References Cited

U.S. PATENT DOCUMENTS

D384,083 S 9/1997 Hinklin  
 D390,576 S \* 2/1998 Shimamura ..... D15/14  
 5,787,693 A \* 8/1998 Dyke ..... A01B 33/028  
 56/11.9  
 5,819,513 A \* 10/1998 Braun ..... A01D 34/6806  
 56/11.9  
 5,894,715 A \* 4/1999 Braun ..... A01D 34/6806  
 56/11.9  
 5,910,091 A \* 6/1999 Iida ..... A01D 34/78  
 56/16.7  
 5,937,622 A 8/1999 Carrier et al.  
 6,009,358 A 12/1999 Angott et al.  
 D421,265 S 2/2000 Ohsumi et al.  
 D422,605 S \* 4/2000 Danthois ..... D15/17  
 D426,836 S 6/2000 Sirois et al.  
 D449,840 S 10/2001 Concari et al.  
 D450,064 S 11/2001 Concari et al.  
 D457,897 S 5/2002 Jong  
 D489,734 S 5/2004 Lin  
 6,922,981 B1 \* 8/2005 Tyree ..... A01B 33/06  
 56/12.7  
 D528,562 S \* 9/2006 Zuo ..... D15/1  
 D530,726 S 10/2006 Martin  
 D605,667 S 12/2009 Peterson et al.

D610,167 S 2/2010 Martin et al.  
 7,728,534 B2 6/2010 Lucas et al.  
 D620,029 S 7/2010 Baetica  
 D620,030 S 7/2010 Baetica  
 D622,291 S 8/2010 Martin et al.  
 D624,562 S 9/2010 Neeley et al.  
 D627,371 S 11/2010 Baetica  
 D627,372 S 11/2010 Baetica  
 D648,354 S 11/2011 Hattori et al.  
 8,653,786 B2 2/2014 Baetica et al.  
 D714,351 S 9/2014 Martin et al.  
 D784,420 S \* 4/2017 Zhang ..... D15/14  
 D785,048 S \* 4/2017 Zhang ..... D15/14  
 9,787,225 B2 \* 10/2017 Lucas ..... H02P 4/00  
 2003/0182919 A1 10/2003 Baumann et al.  
 2012/0228041 A1 9/2012 Borinato

OTHER PUBLICATIONS

Toro “e-Cycler 20-inch Cordless Lawn Mower—Model No. 20360—U.S. Appl. No. 315000001 and Up” Operator’s Manual. Form No. 3388-705 Rev A, The Toro Company, Copyright 2014; 12 pages.  
 Toro “E24 Carefree ® Cordless Walk Power Lawn Mower—Model No. 20052—200000001 and Up” Operator’s Manual. Form No. 3324-189, The Toro Company, Copyright 1999; 20 pages.

\* cited by examiner

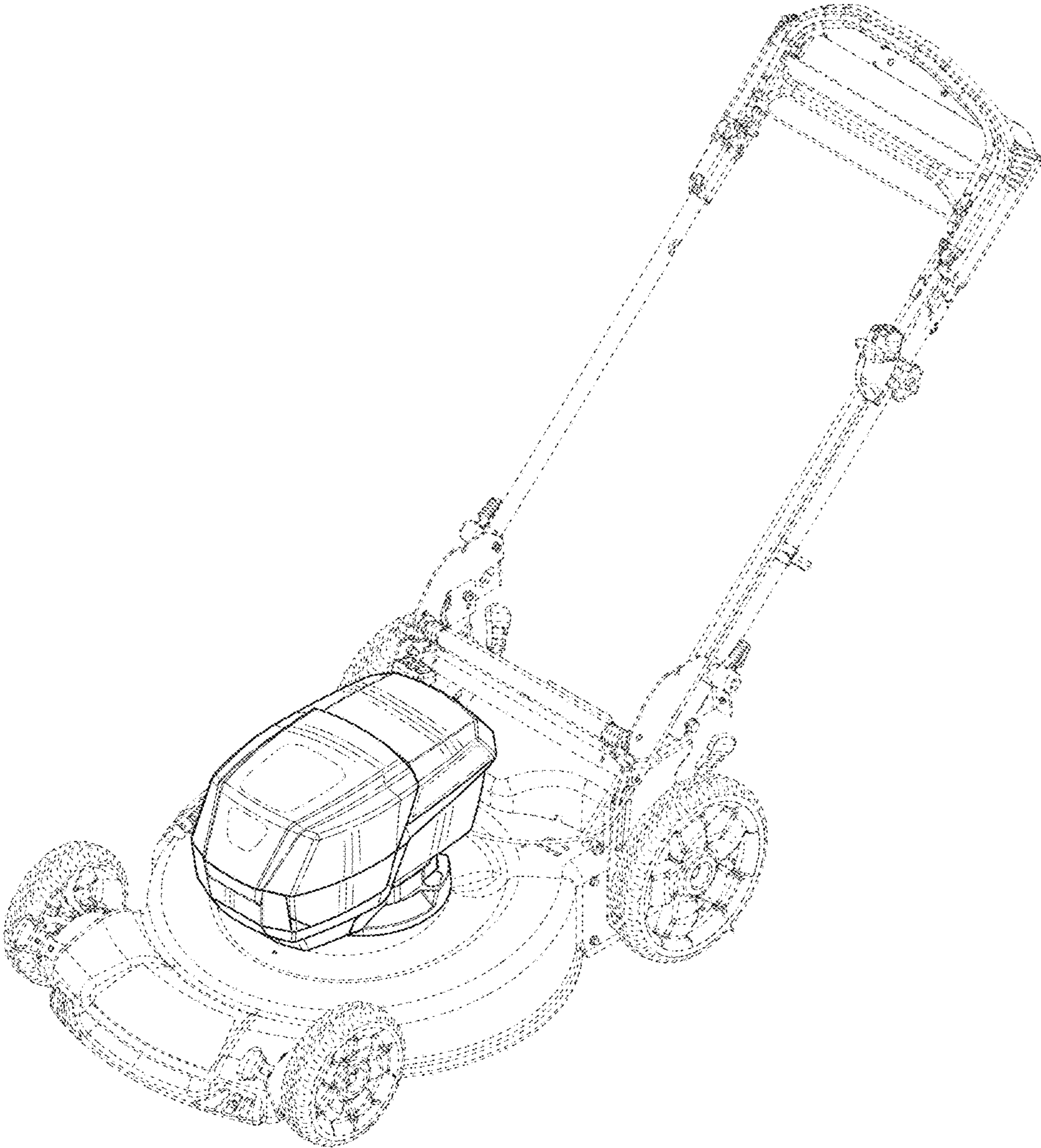


FIG. 1

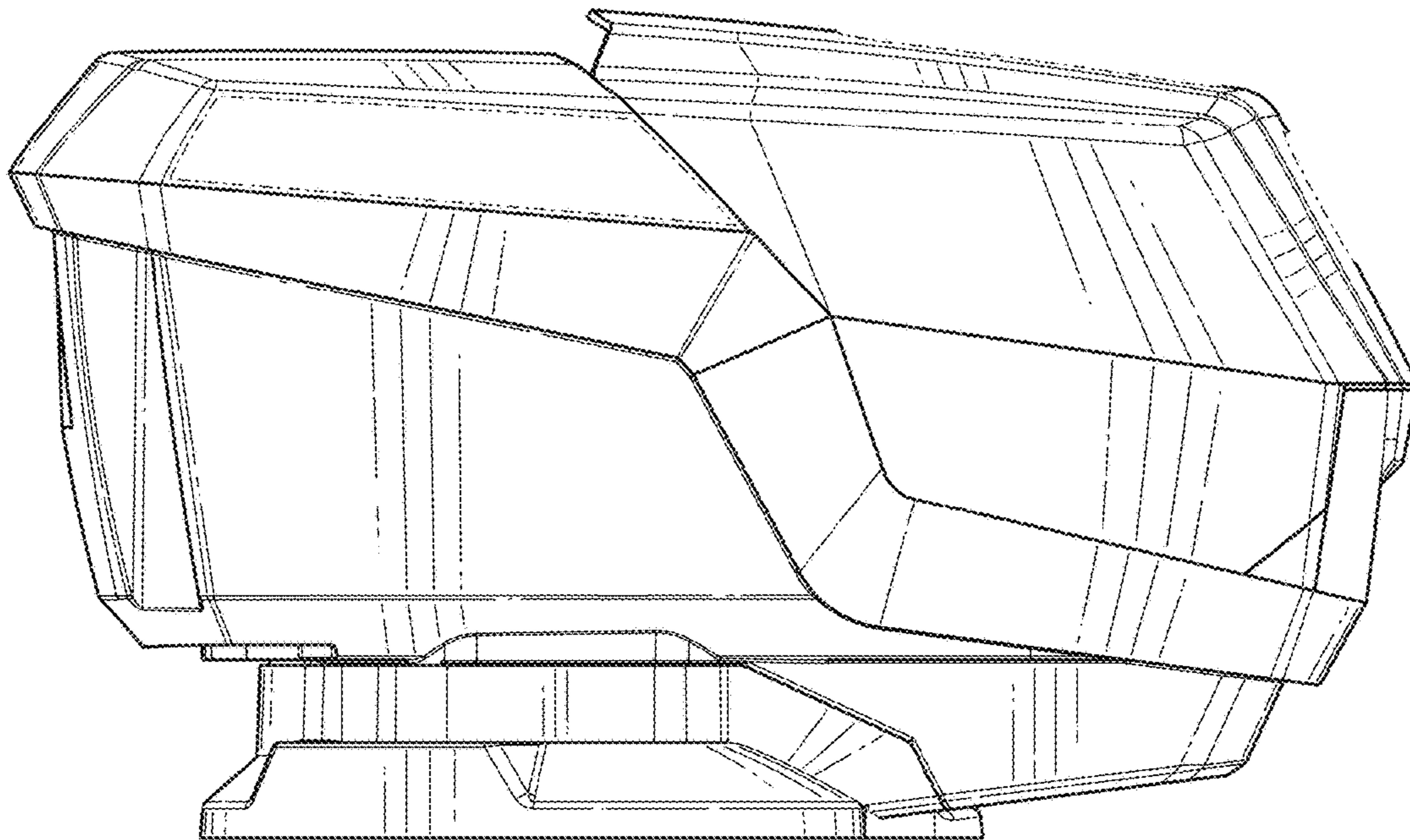


FIG. 2

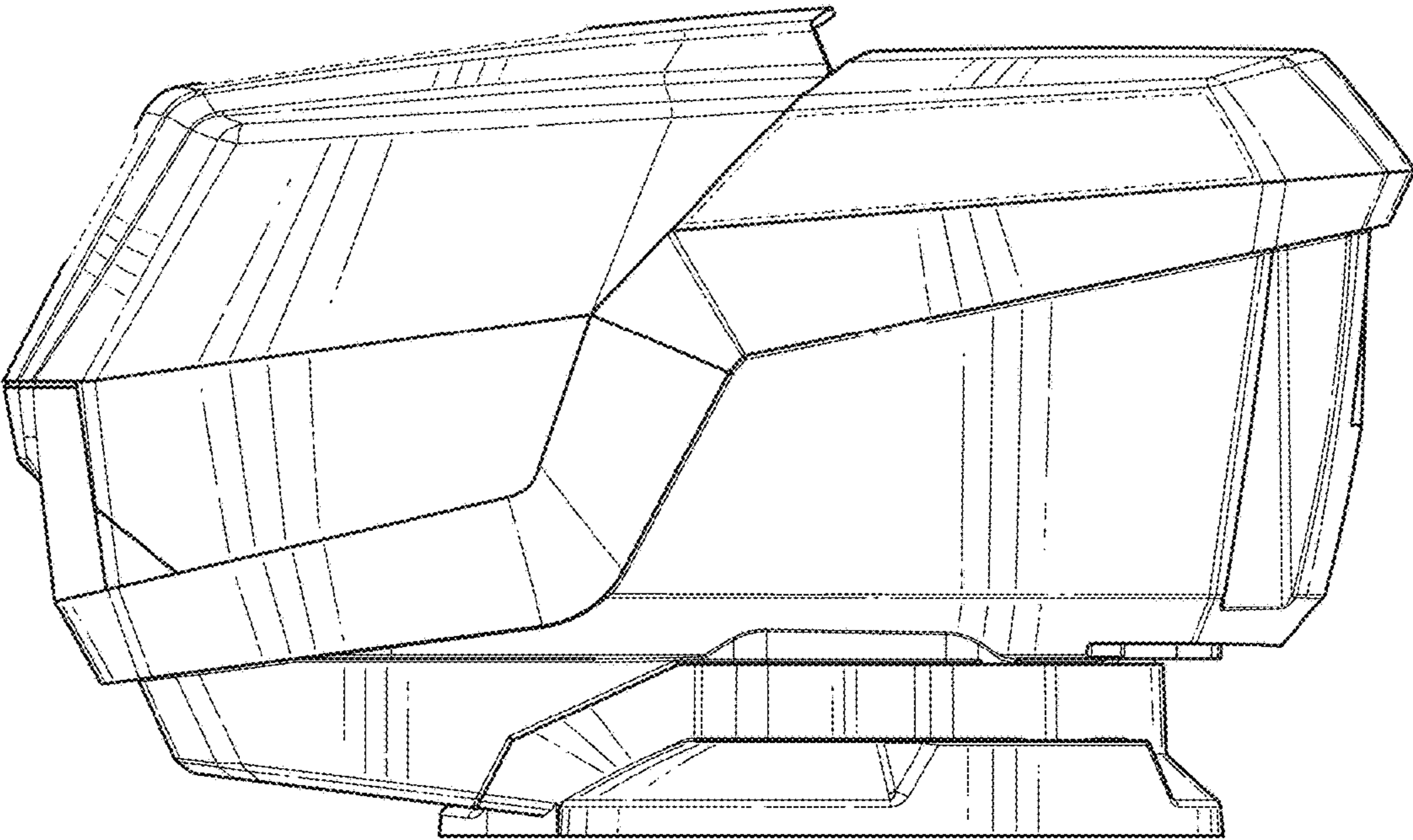


FIG. 3

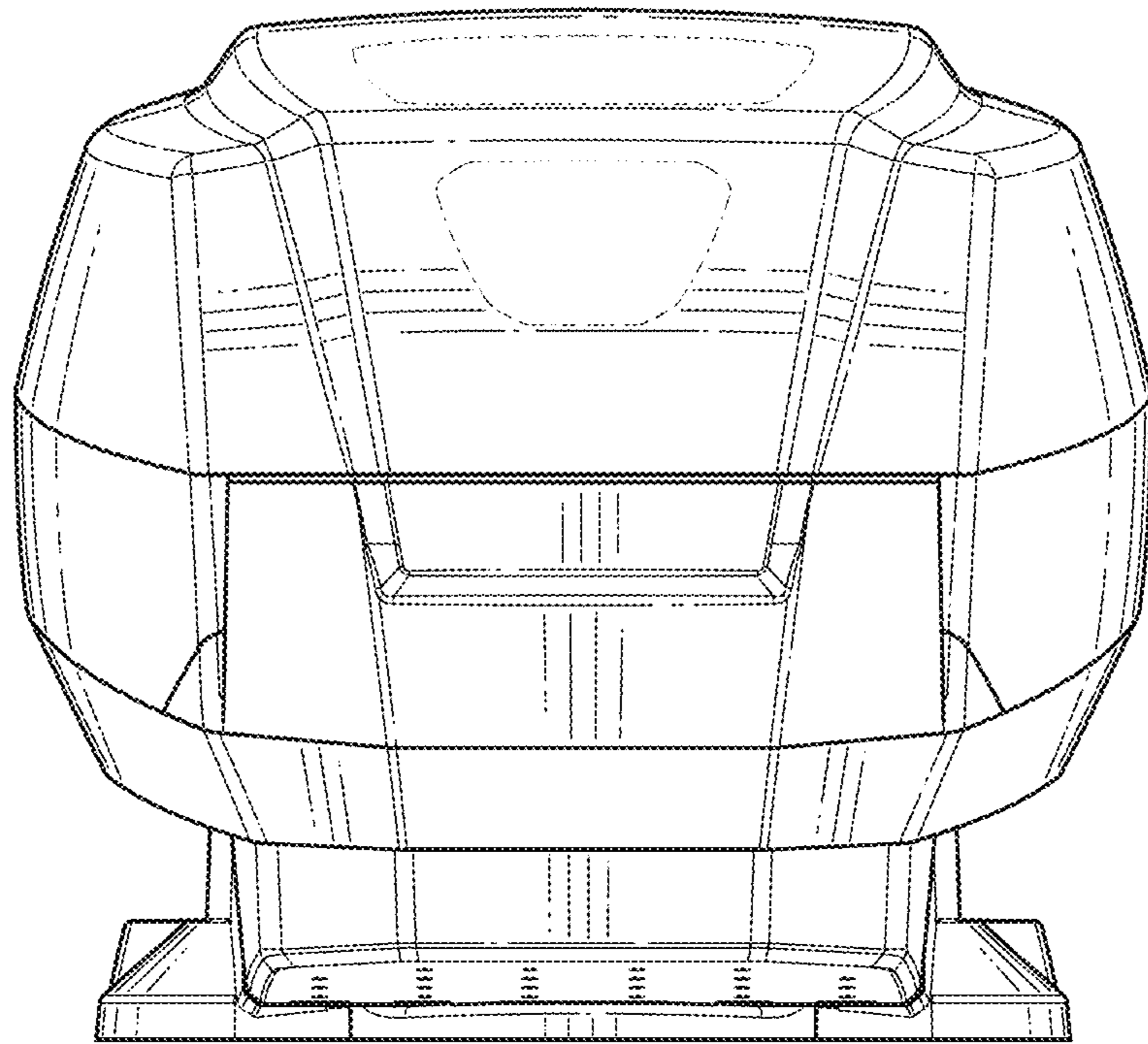


FIG. 4

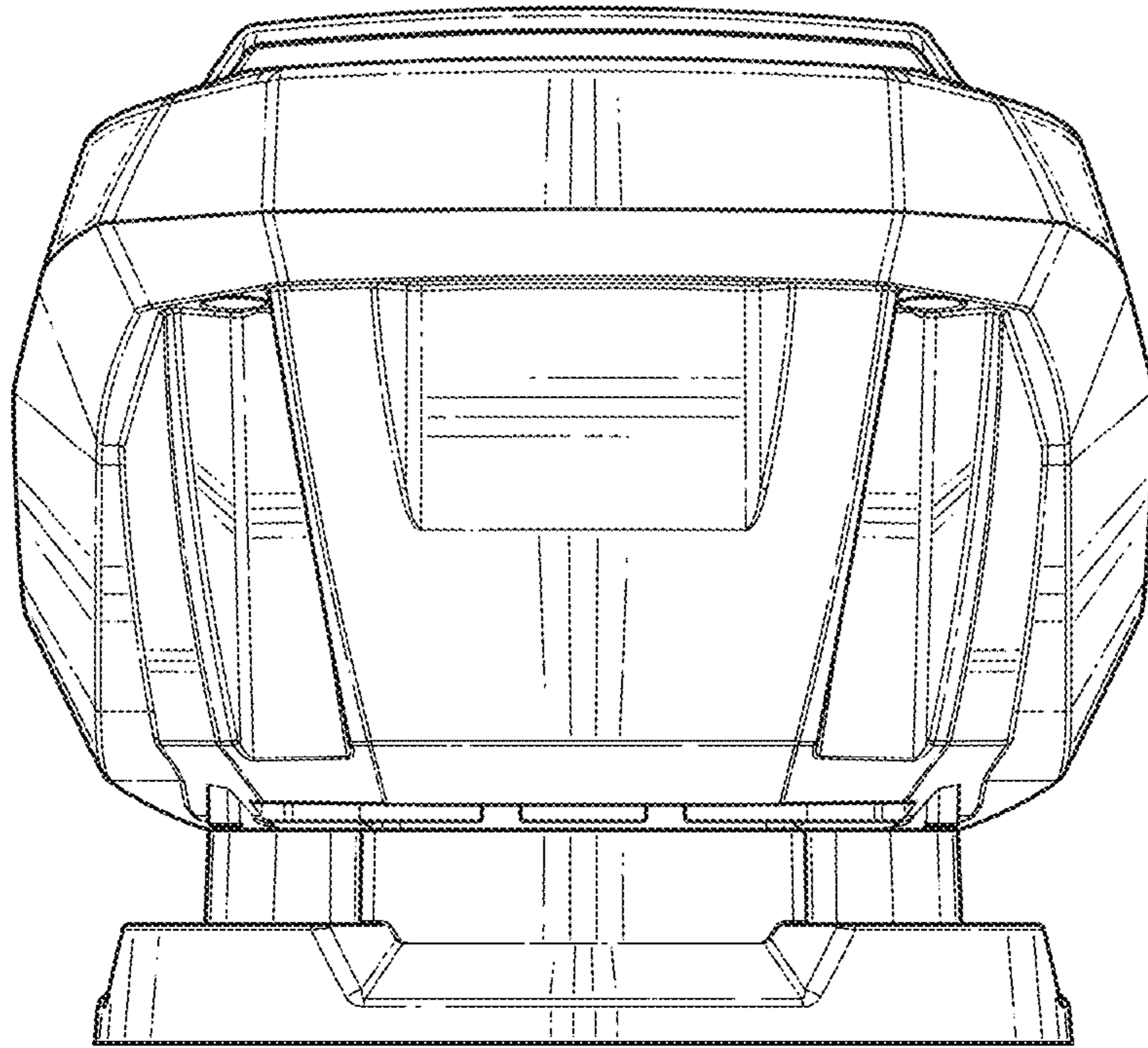


FIG. 5

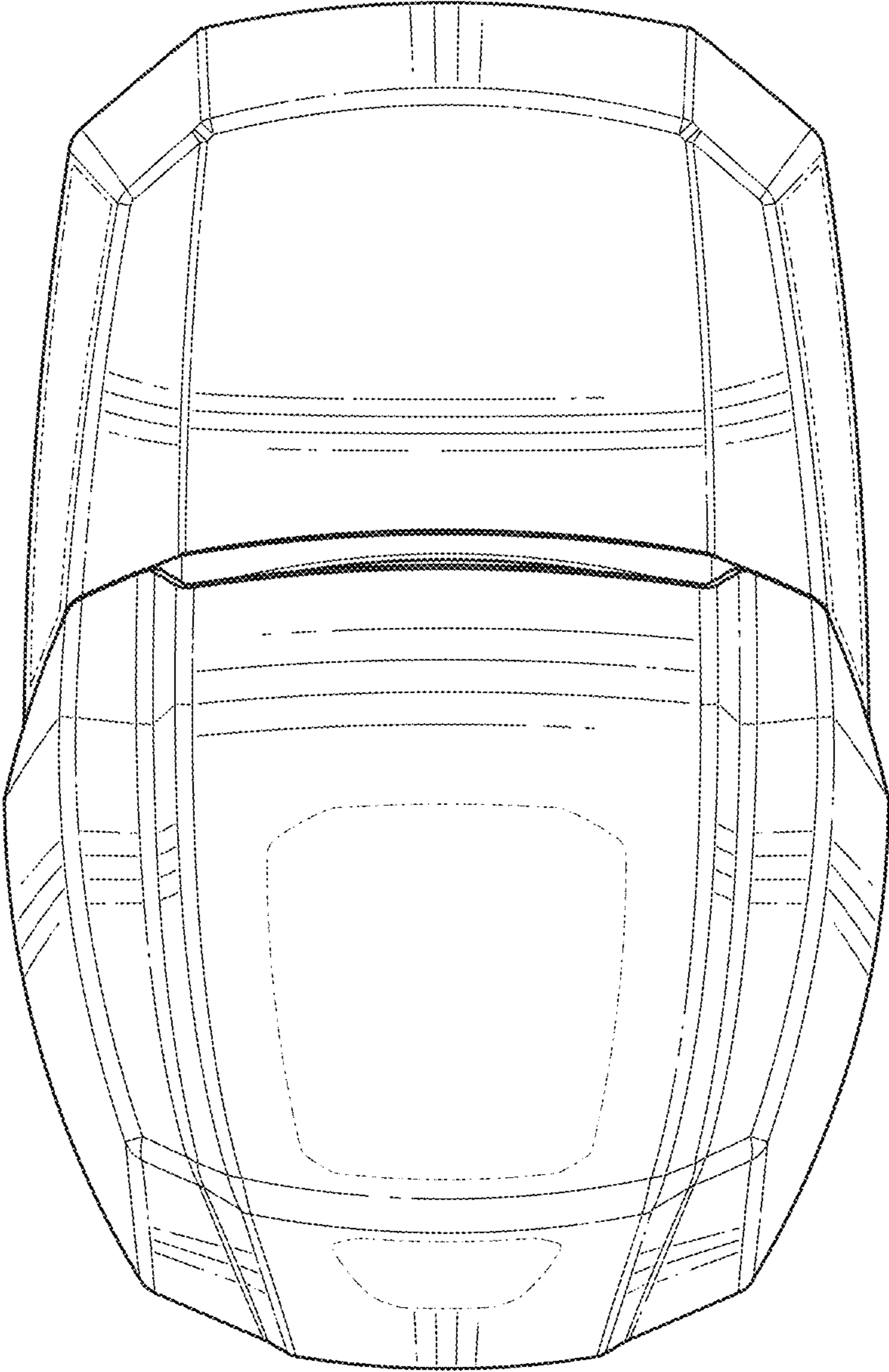


FIG. 6