



US00D833484S

(12) **United States Design Patent** (10) **Patent No.:** **US D833,484 S**
Nishida et al. (45) **Date of Patent:** **** Nov. 13, 2018**

(54) **ROTARY PUMP**
(71) Applicant: **TAIHO KOGYO CO., LTD.**,
Toyota-shi, Aichi (JP)
(72) Inventors: **Shuhei Nishida**, Toyota (JP); **Satoshi Ikeda**, Toyota (JP); **Kazuya Mizuno**, Toyota (JP); **Ken Nakamuta**, Toyota (JP)
(73) Assignee: **TAIHO KOGYO CO., LTD.**,
Toyota-shi, Aichi (JP)

D555,669 S * 11/2007 Preston D15/7
D557,709 S * 12/2007 Preston D15/7
D604,747 S * 11/2009 Hodge D15/9
8,127,748 B2 * 3/2012 Yates F02C 7/236
123/508
8,882,472 B2 * 11/2014 Powell F02M 37/025
123/509
D769,332 S * 10/2016 Varini D15/7
D771,715 S * 11/2016 Varini D15/7
D771,716 S * 11/2016 Varini D15/7
D771,717 S * 11/2016 Varini D15/7

(Continued)

Primary Examiner — Ralf Seifert

(74) *Attorney, Agent, or Firm* — Sughrue Mion, PLLC

(**) Term: **15 Years**

(21) Appl. No.: **29/599,019**

(22) Filed: **Mar. 30, 2017**

(30) **Foreign Application Priority Data**

Sep. 30, 2016 (JP) 2016-021347
Sep. 30, 2016 (JP) 2016-021348

(51) **LOC (11) Cl.** **15-02**

(52) **U.S. Cl.**
USPC **D15/7**

(58) **Field of Classification Search**
USPC D15/7-9; D23/231, 232, 225; 417/60,
417/235, 265, 321, 355, 358, 363, 359,
417/410.1, 415-416, 405, 900, 269, 539;
60/408, 412; 184/26-37; 415/140-147;
123/495, 509; 137/565.34
CPC F02M 37/04; F02M 37/14; F04B 53/92;
F04B 1/005; F04D 13/06; F04D 29/22;
F04D 29/046; F04D 29/2266
See application file for complete search history.

(56) **References Cited**

U.S. PATENT DOCUMENTS

D221,258 S * 7/1971 Saddler D15/7
D243,281 S * 2/1977 Pareja D15/7

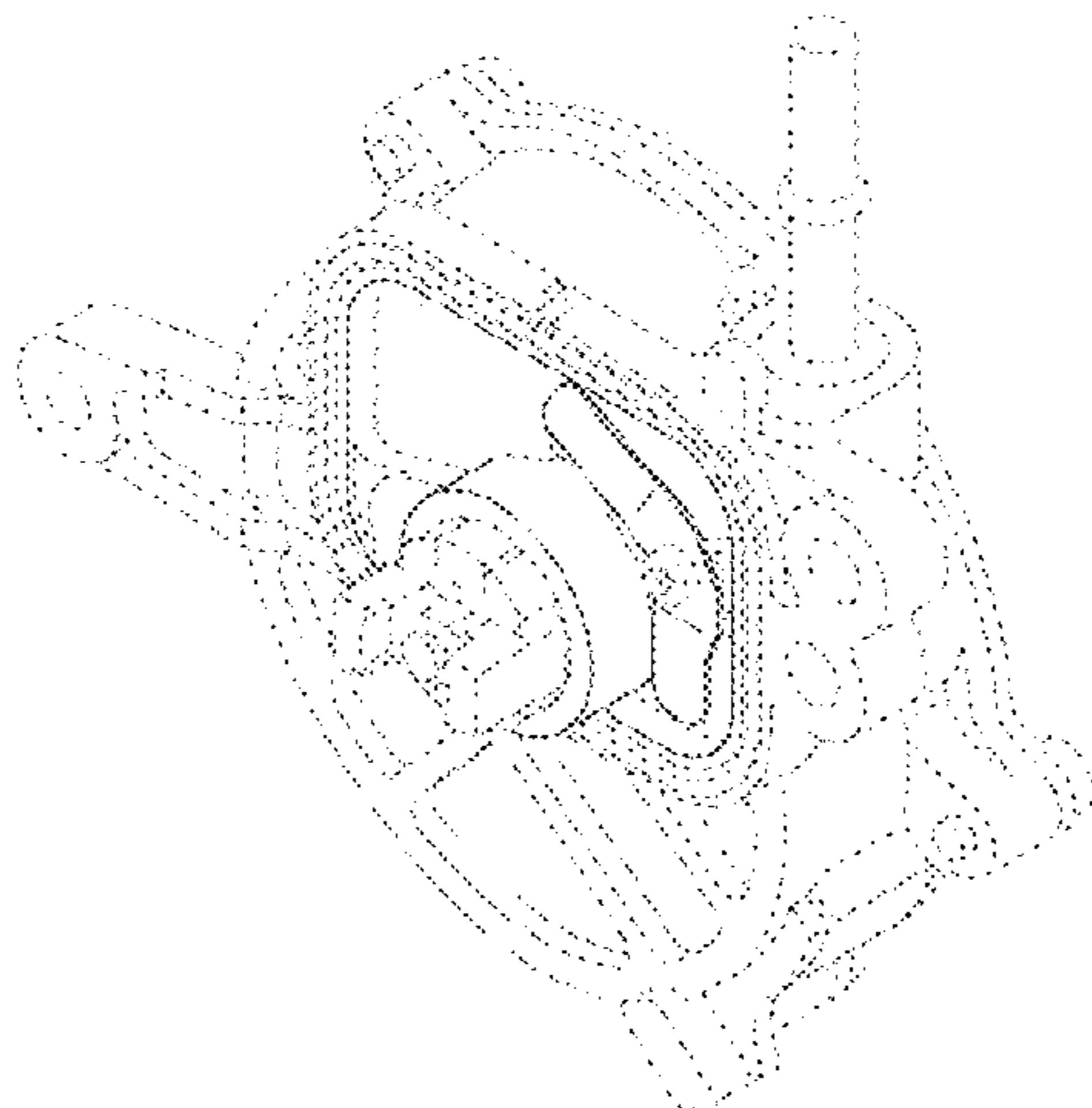
(57) **CLAIM**

The ornamental design for a rotary pump, as shown and described.

DESCRIPTION

FIG. 1 is a perspective view of a rotary pump showing our new design;
FIG. 2 is a rear view thereof;
FIG. 3 is a front view thereof;
FIG. 4 is a right side view thereof;
FIG. 5 is a left side view thereof;
FIG. 6 is a top plan view thereof;
FIG. 7 is a bottom plan view thereof;
FIG. 8 is a perspective view of a rotary pump showing a second embodiment of our new design;
FIG. 9 is a rear view of FIG. 8;
FIG. 10 is a front view of FIG. 8;
FIG. 11 is a right side view of FIG. 8;
FIG. 12 is a left side view of FIG. 8;
FIG. 13 is a top plan view of FIG. 8; and,
FIG. 14 is a bottom plan view of FIG. 8.
The broken lines in the drawings are intended to show portions of the rotary pump that are not being claimed, and thus form no part of the claimed design.

1 Claim, 8 Drawing Sheets



(56)

References Cited

U.S. PATENT DOCUMENTS

D784,415 S * 4/2017 Chen D15/7
D784,416 S * 4/2017 Chen D15/7

* cited by examiner

FIG. 1

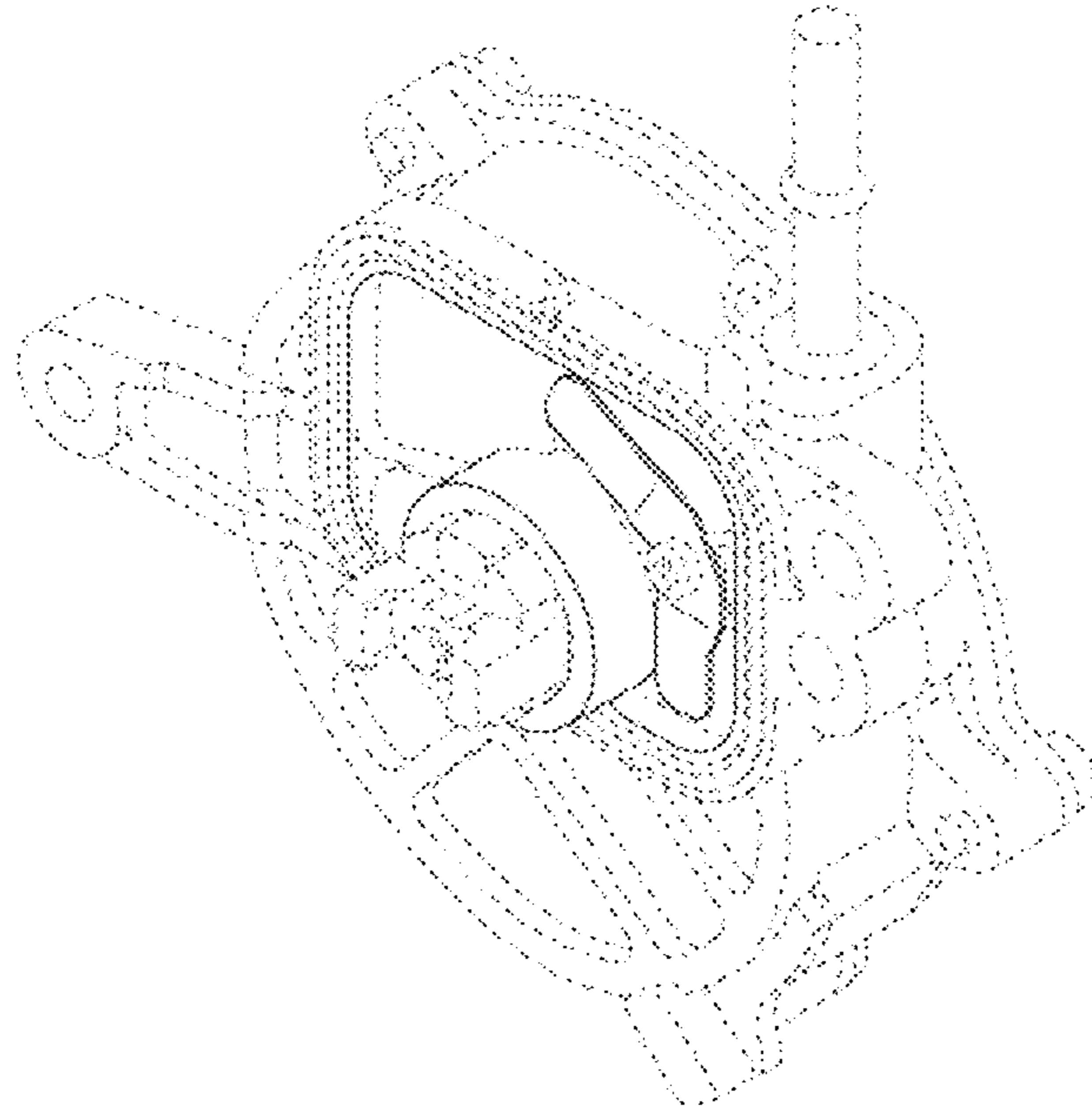


FIG. 2

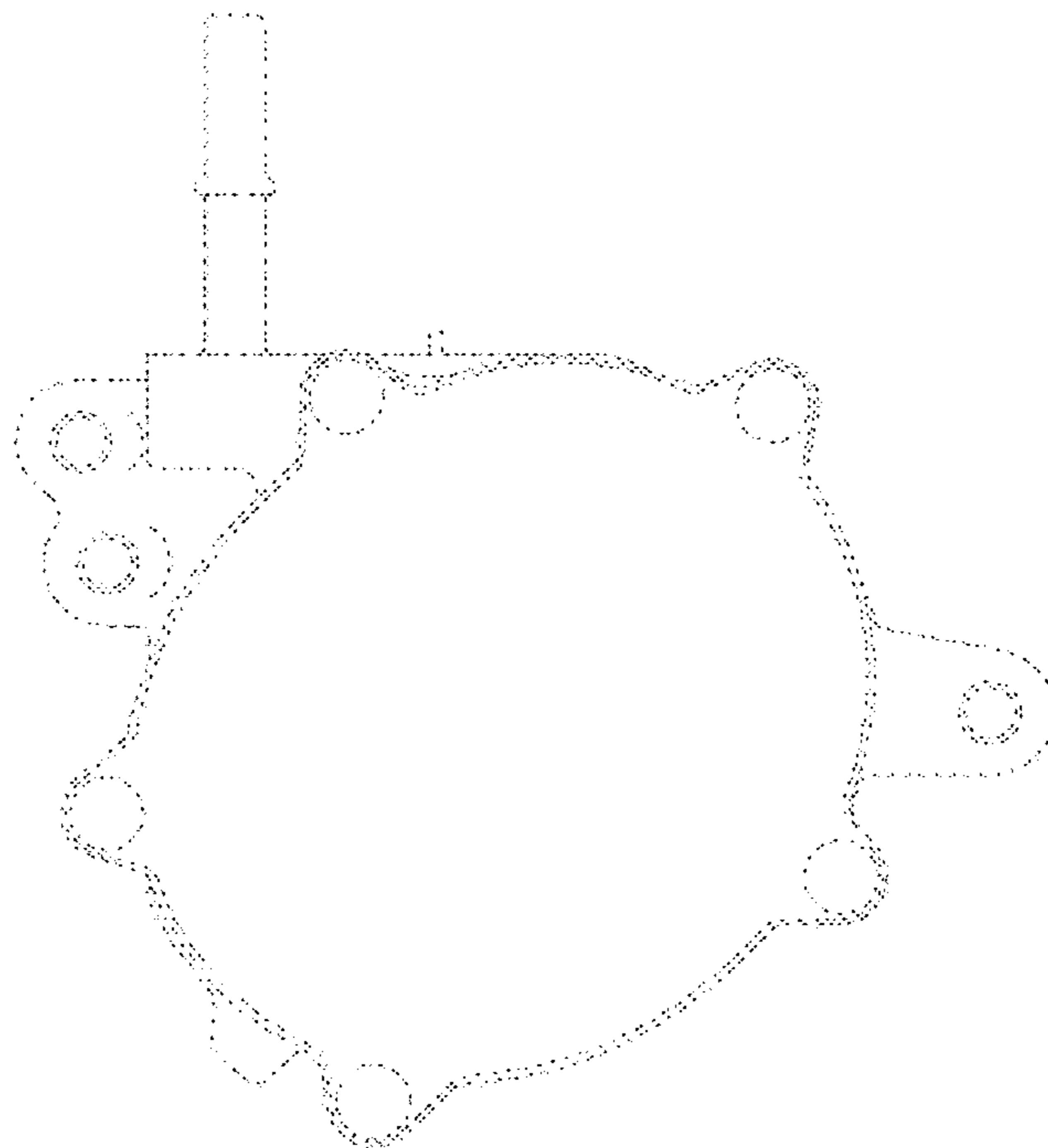


FIG. 3

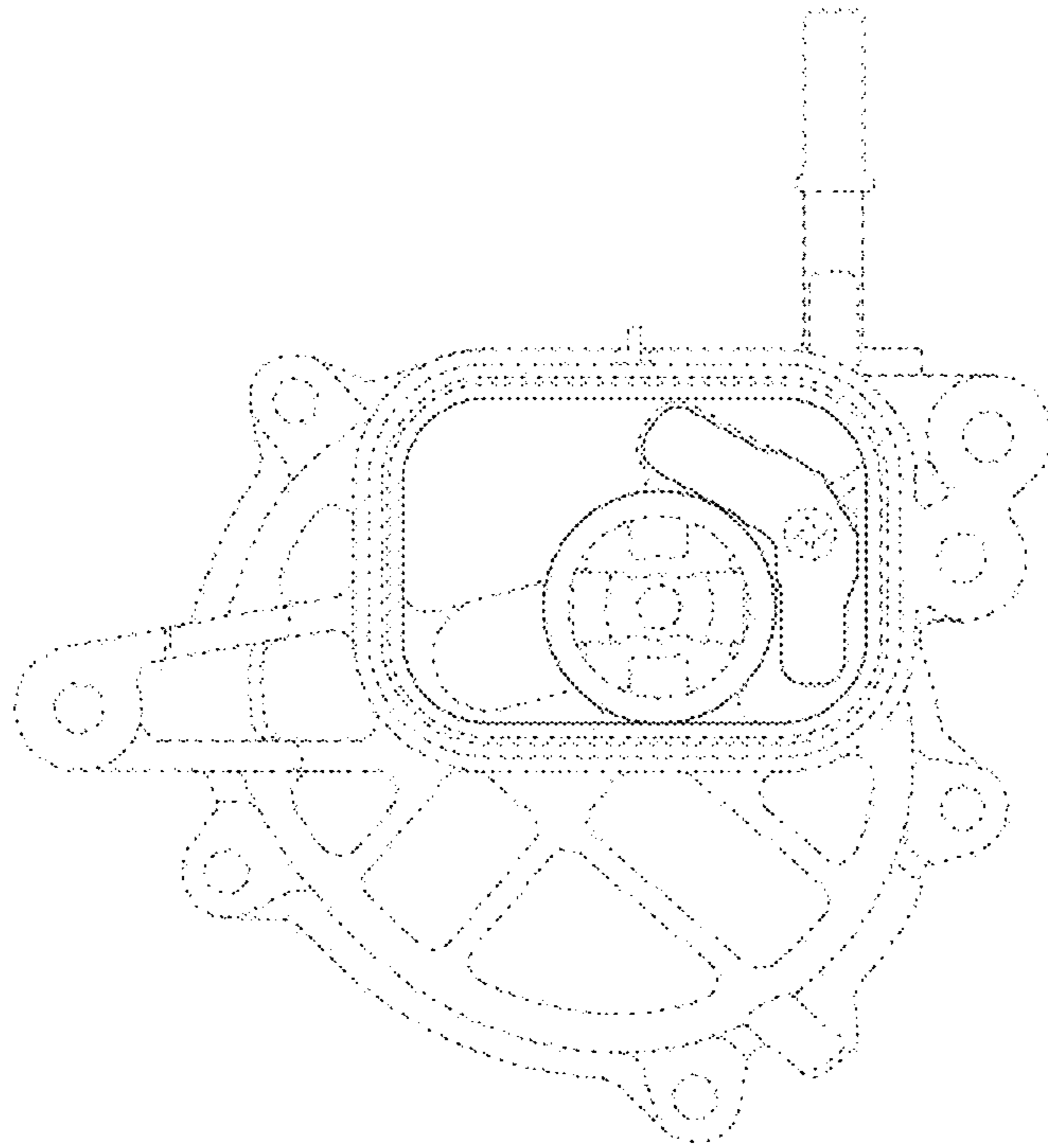


FIG. 4

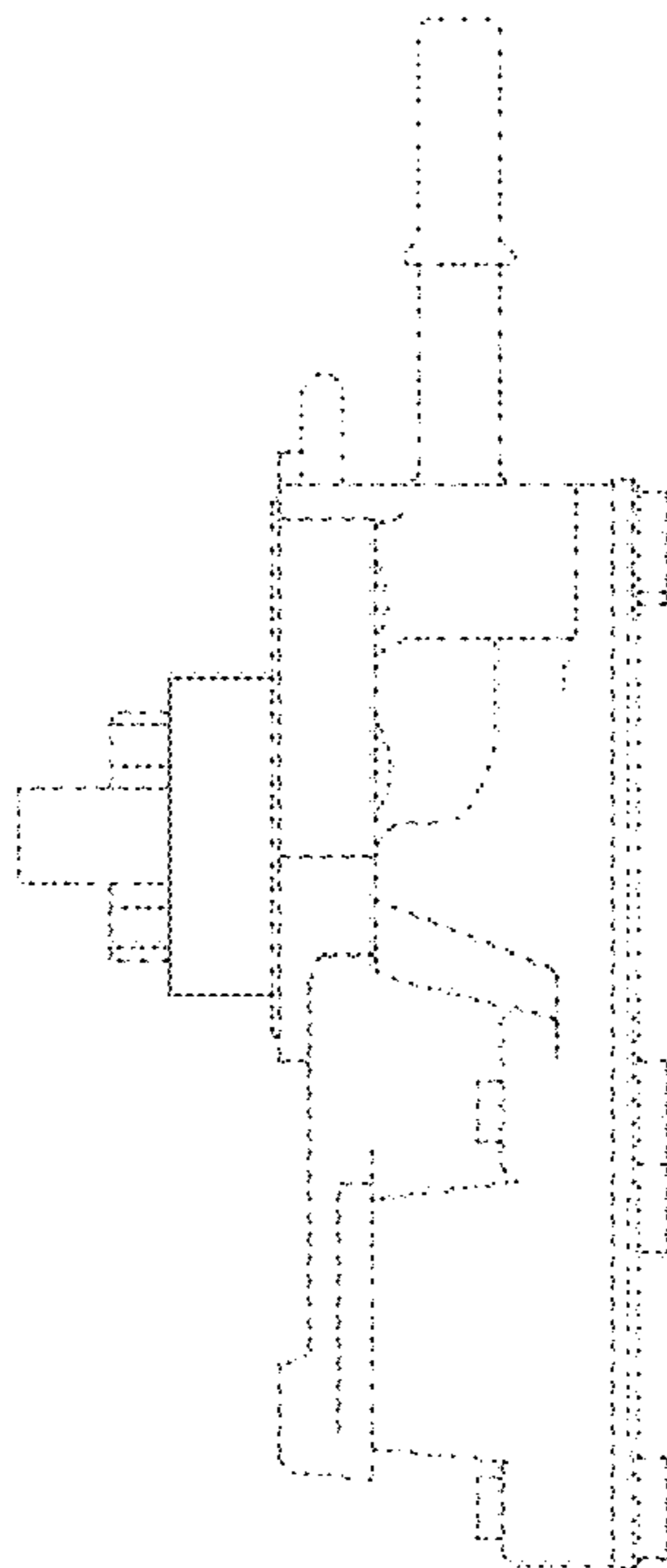


FIG. 5

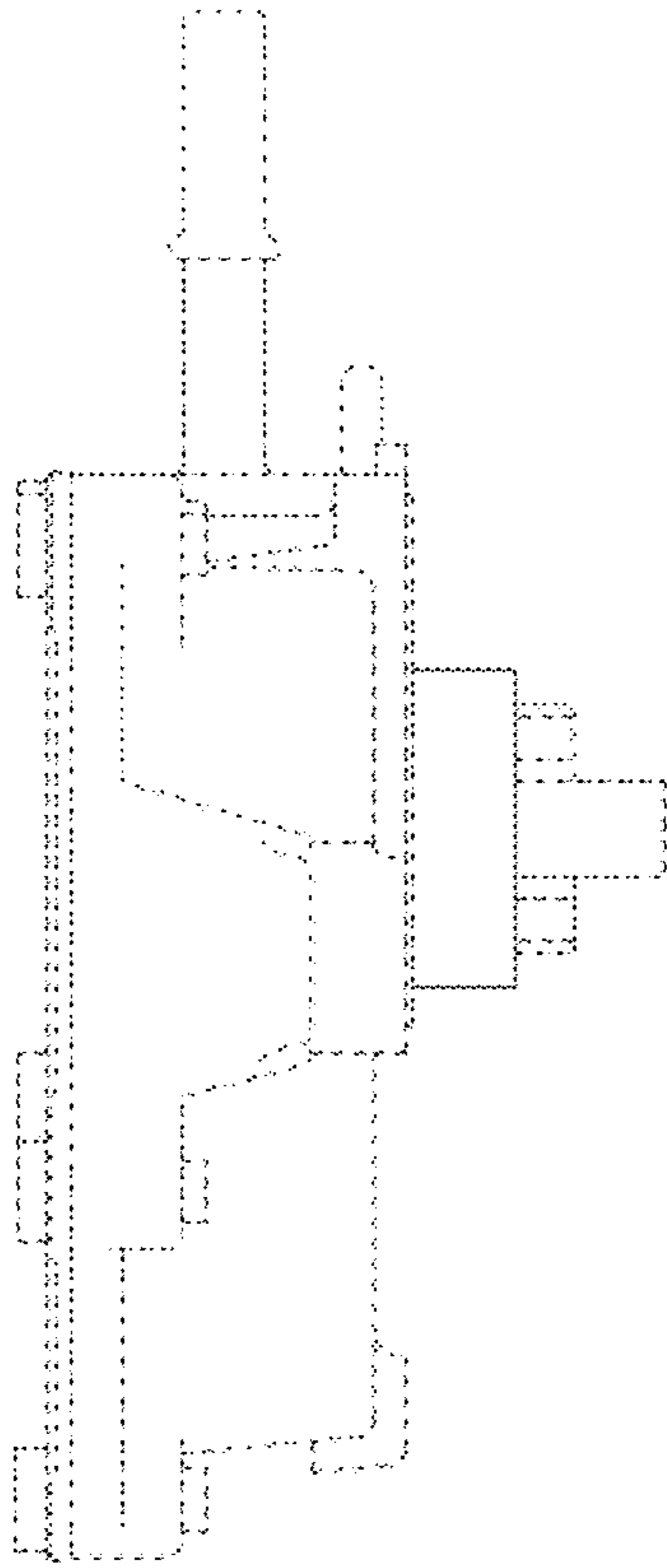


FIG. 6

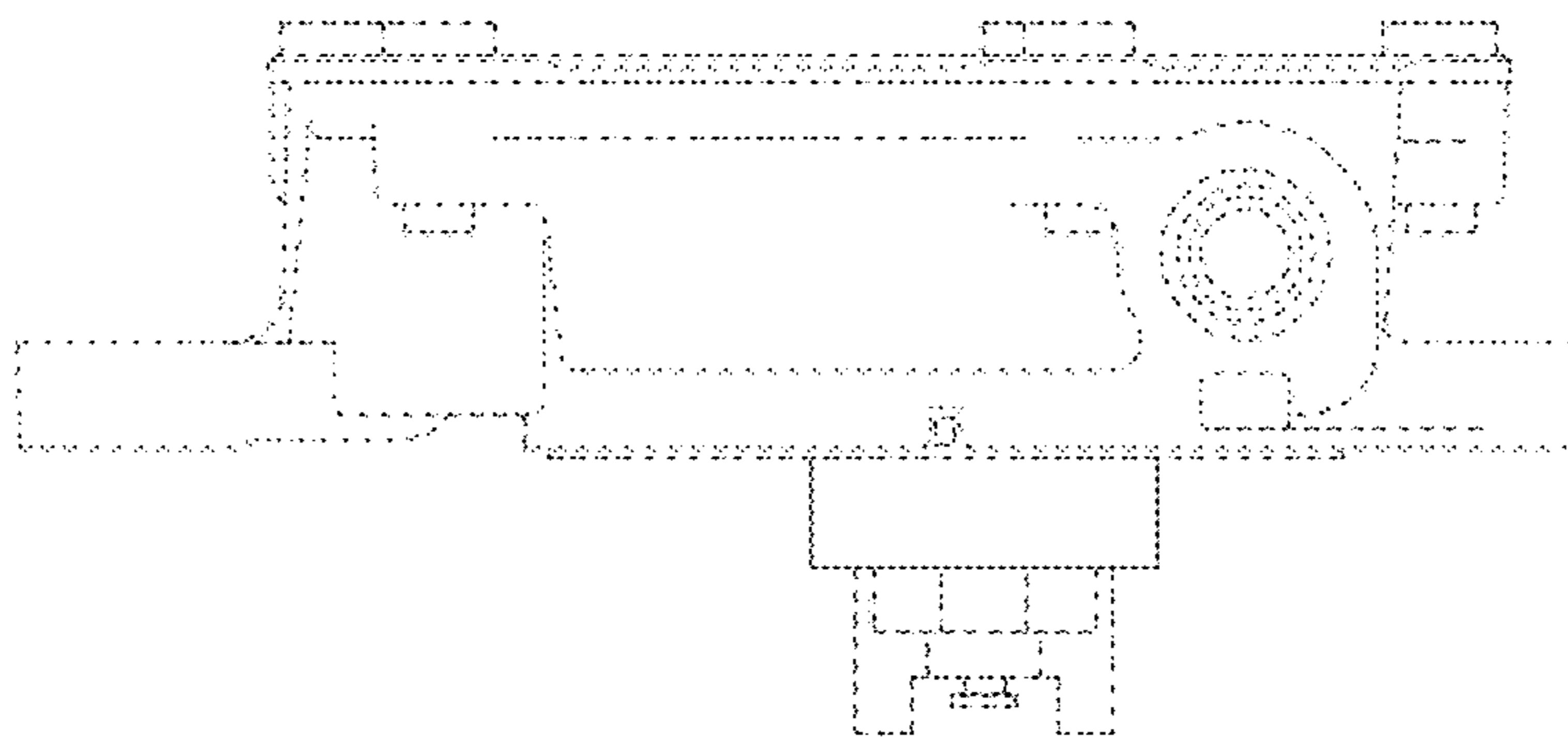


FIG. 7

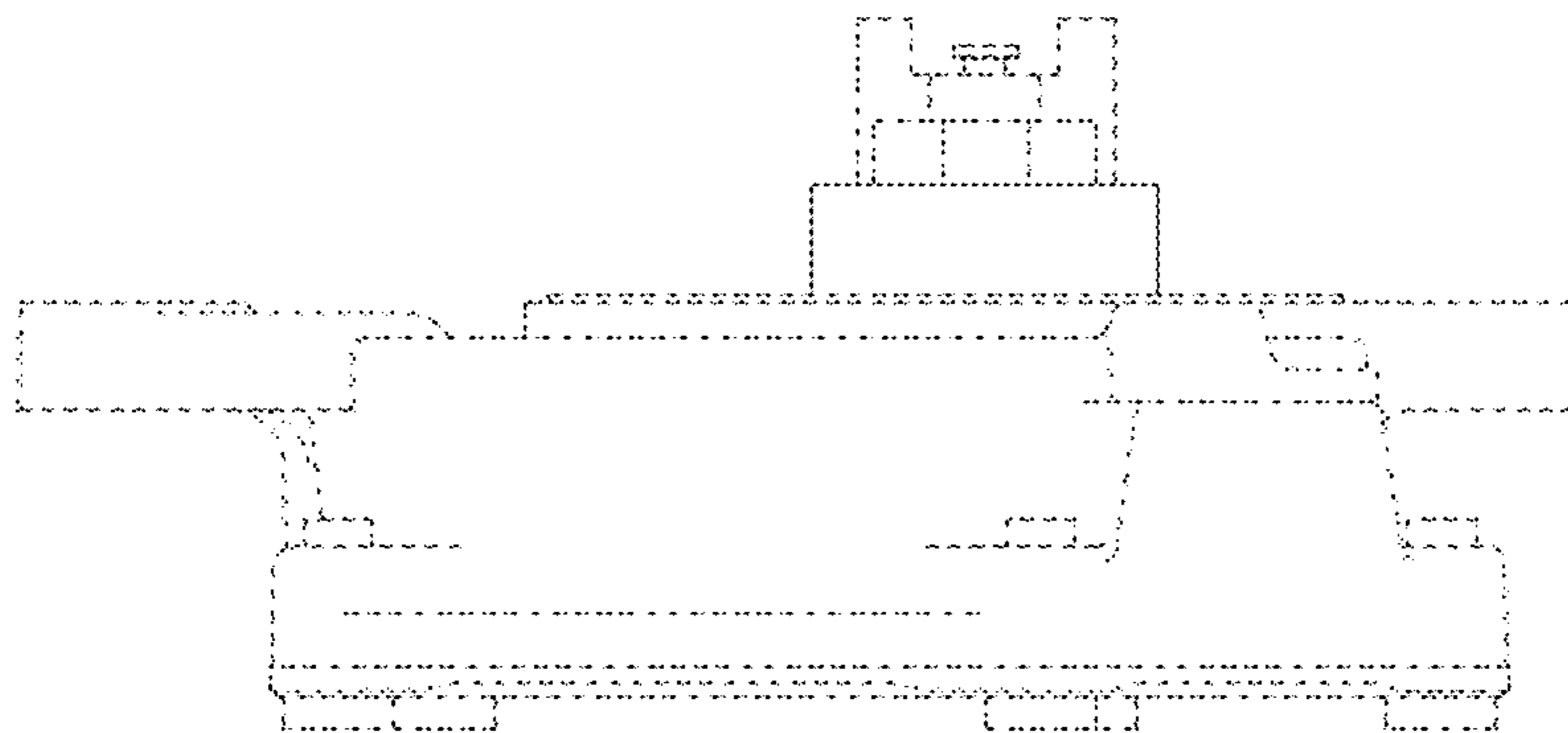


FIG. 8

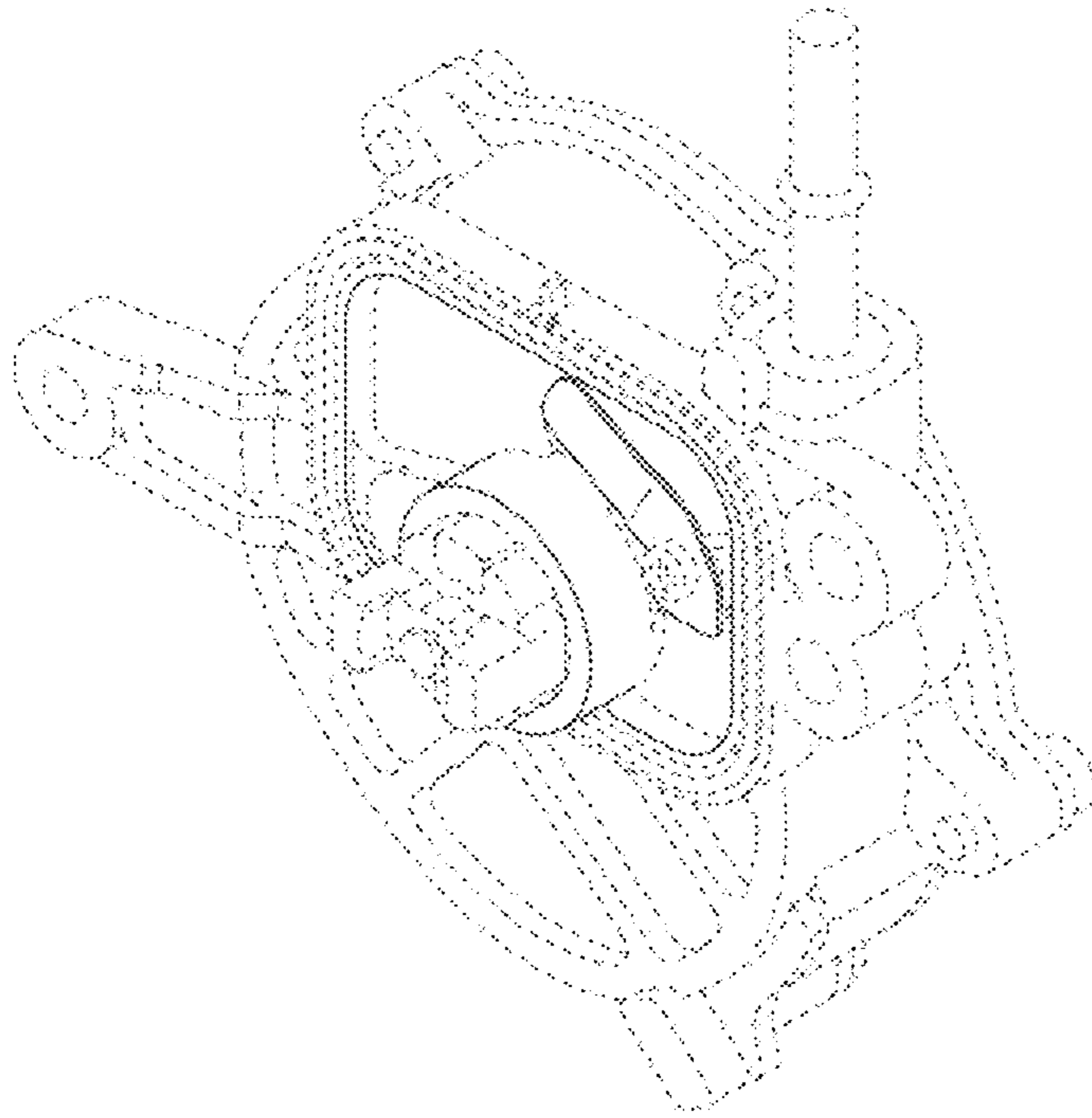


FIG. 9

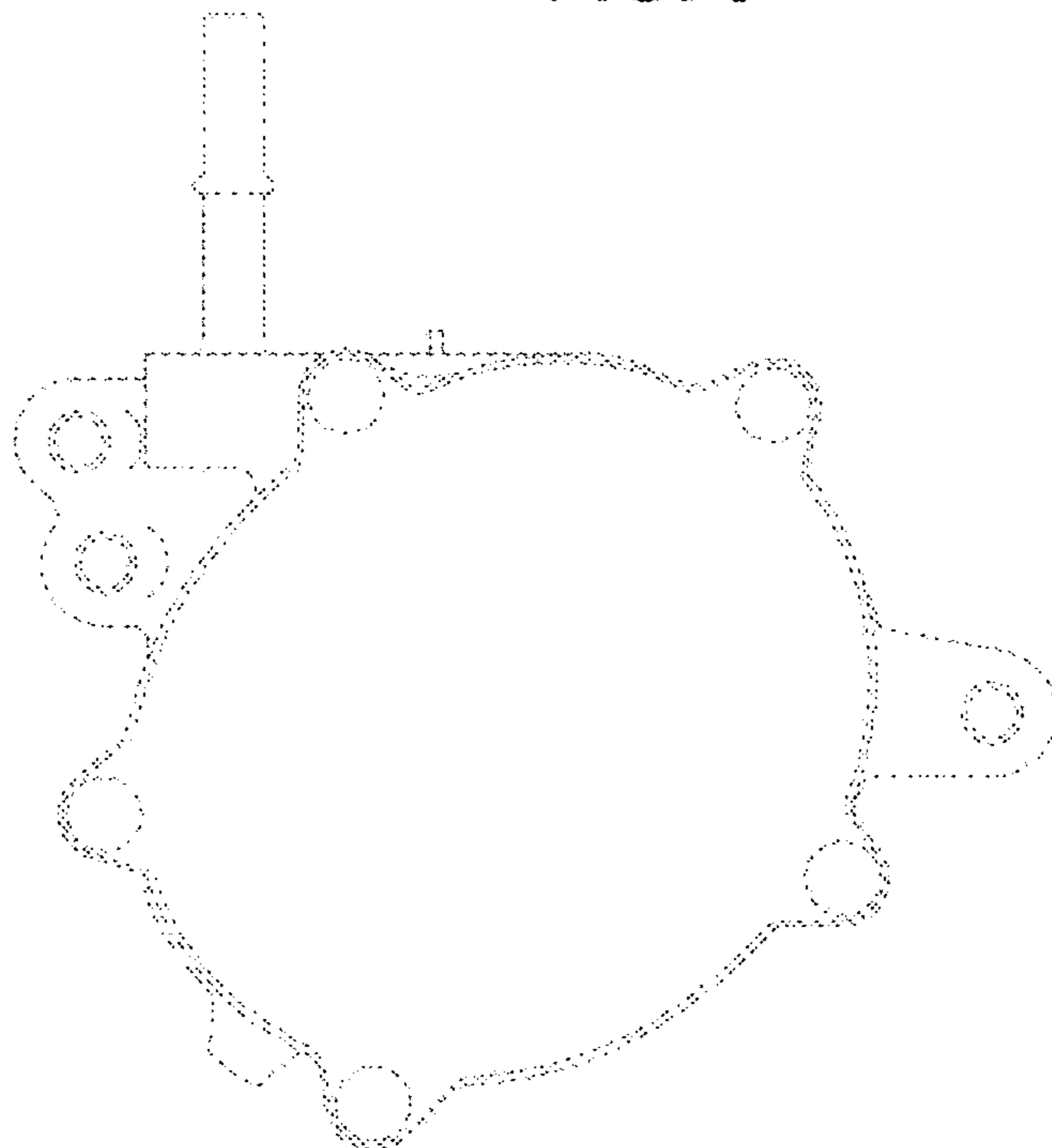


FIG. 10

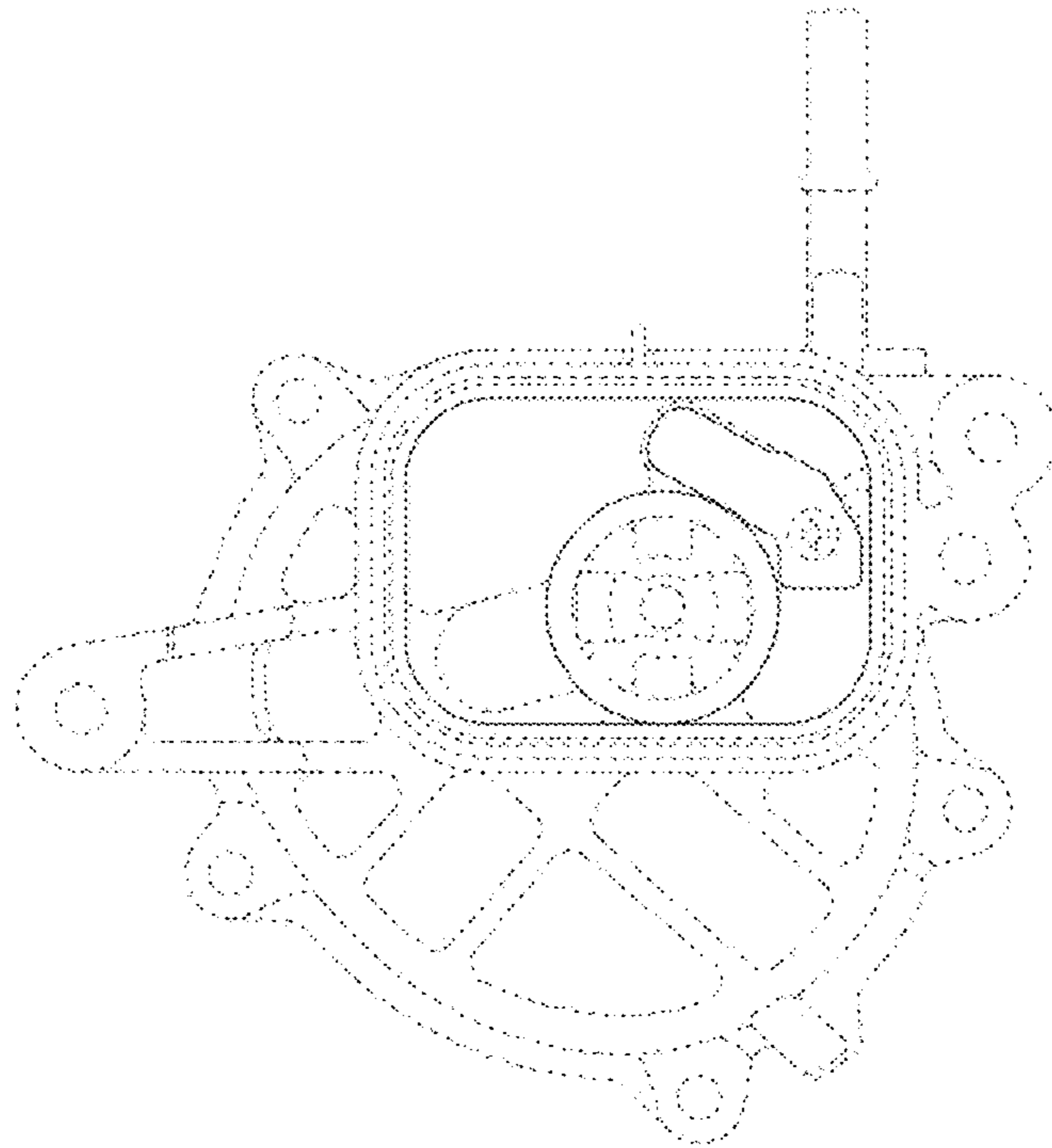


FIG. 11

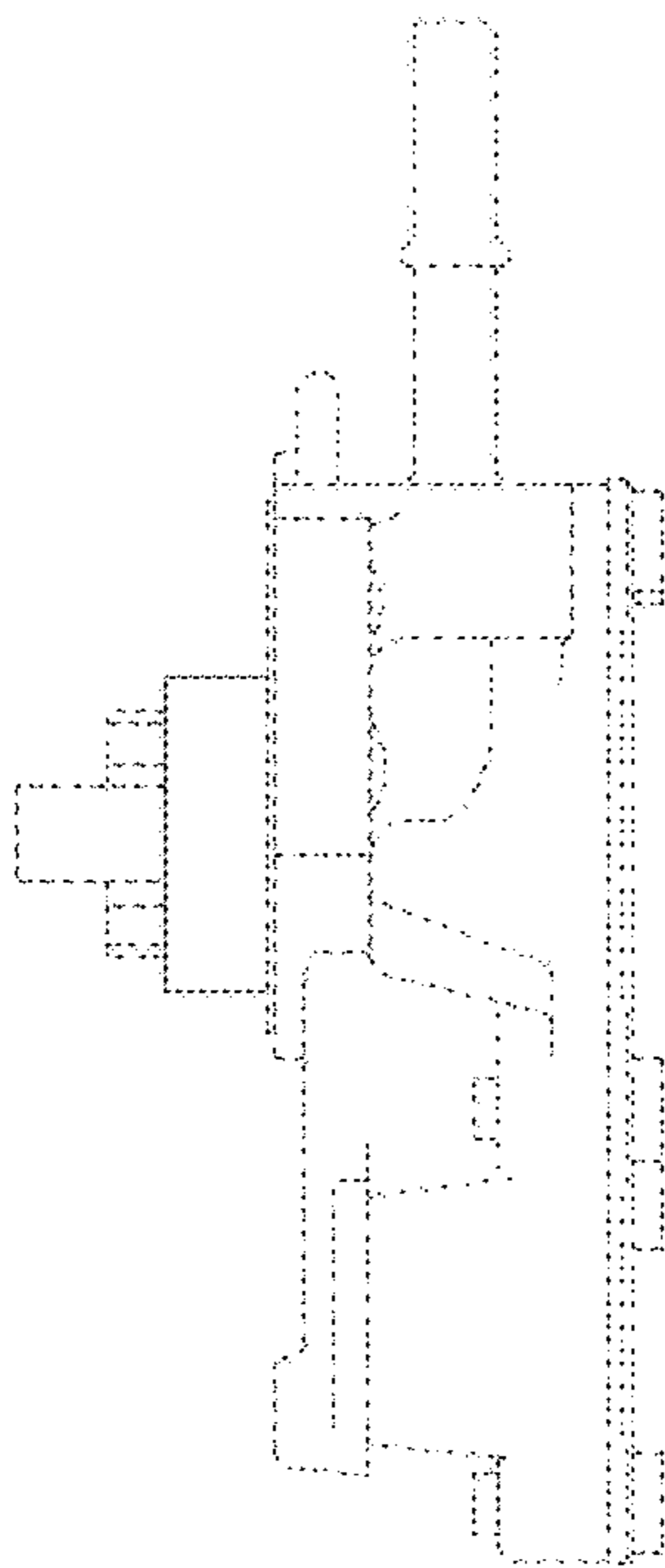


FIG. 12

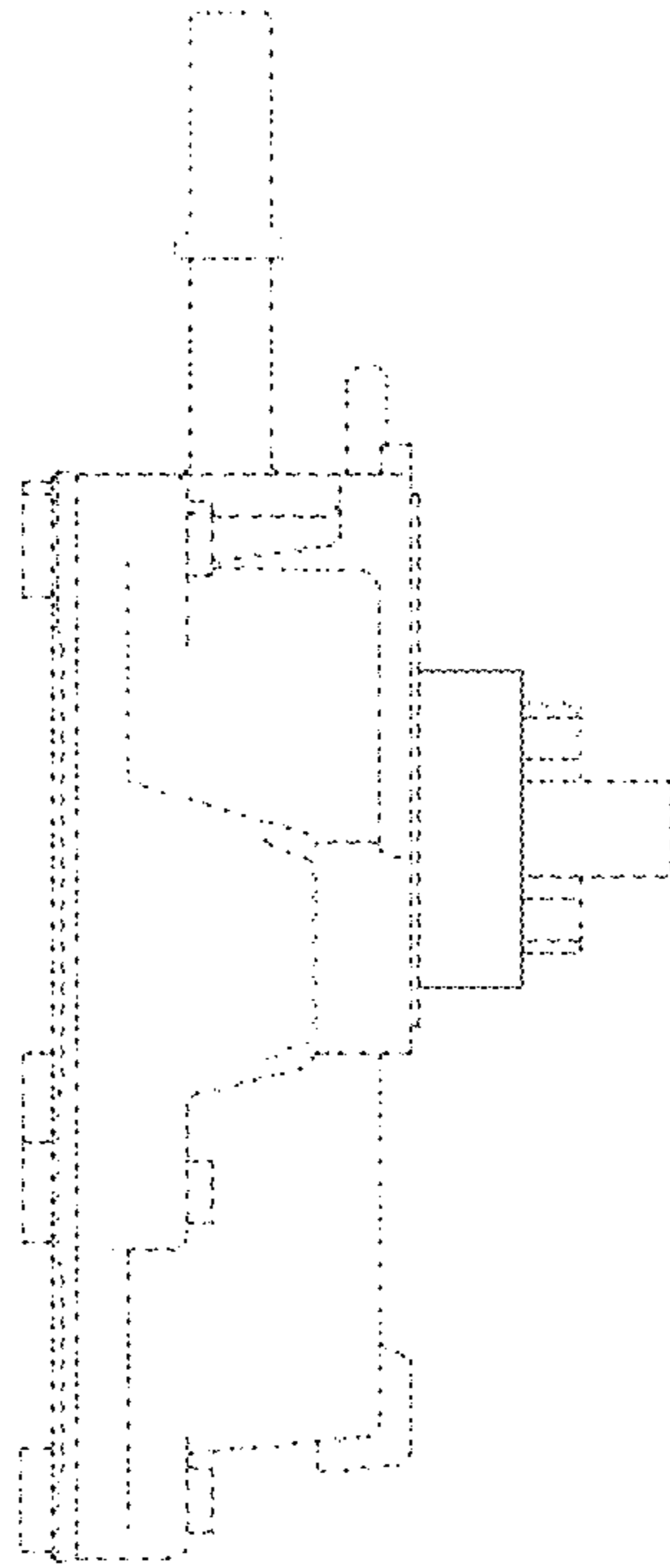


FIG. 13

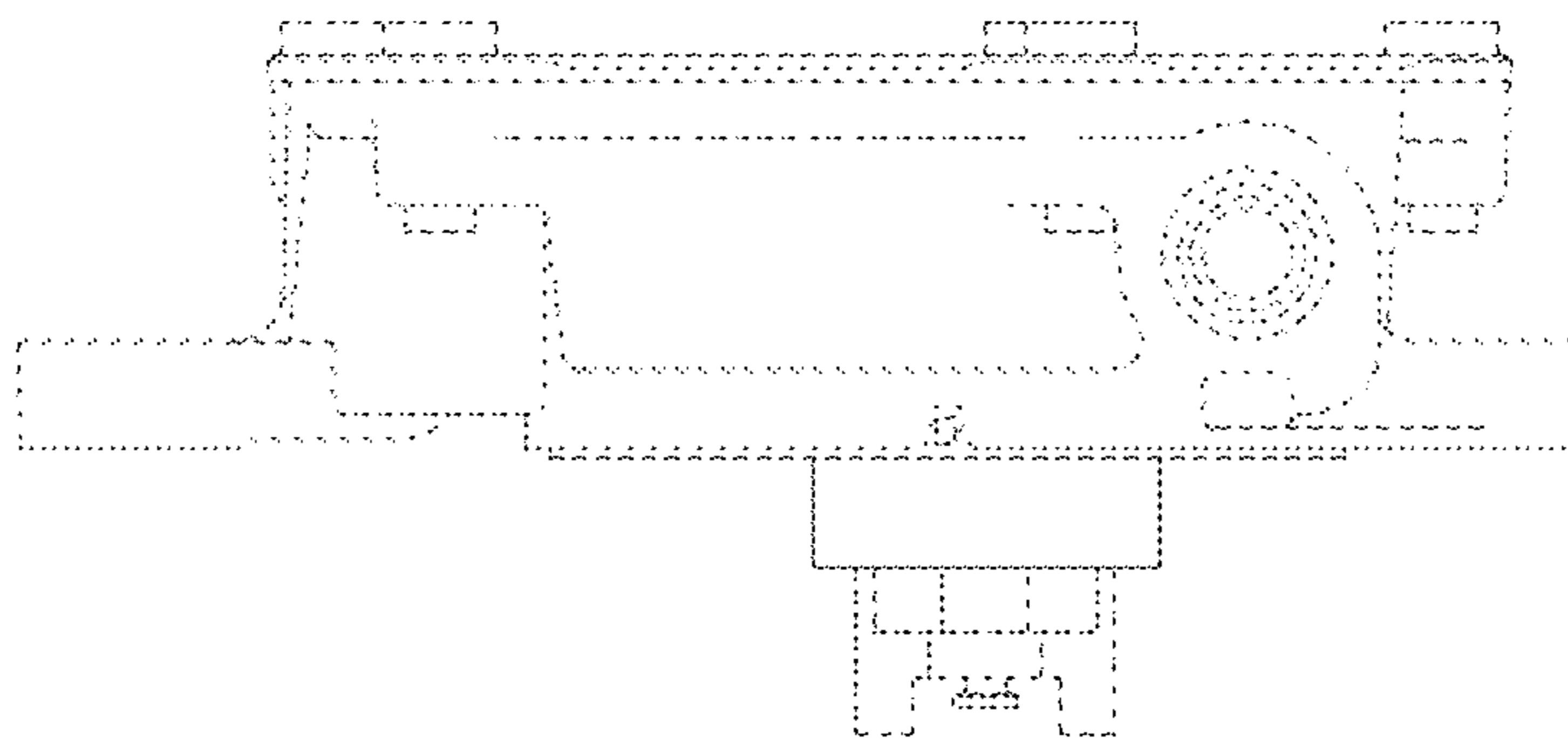


FIG. 14

