



US00D833483S

(12) **United States Design Patent** (10) **Patent No.:** **US D833,483 S**  
**Sofussen** (45) **Date of Patent:** **\*\* Nov. 13, 2018**

(54) **HOUSING**

(56) **References Cited**

(71) Applicant: **GRUNDFOS HOLDING A/S**,  
Bjerringbro (DK)  
(72) Inventor: **Morten Sofussen**, Aarhus C (DK)  
(73) Assignee: **GRUNDFOS HOLDING A/S**,  
Bjerringbro (DK)  
(\*\*) Term: **15 Years**  
(21) Appl. No.: **29/561,216**  
(22) Filed: **Apr. 14, 2016**

U.S. PATENT DOCUMENTS

D327,075 S *	6/1992	Tiedemann .....	D15/7
D327,272 S *	6/1992	Cadotte .....	D15/7
D327,273 S *	6/1992	Cadotte .....	D15/7
D405,096 S *	2/1999	Dudeck .....	D15/7
D447,148 S *	8/2001	Antony .....	D15/7
D536,705 S *	2/2007	Griffin .....	D15/7
D557,708 S *	12/2007	Carpenter .....	D15/7
D617,347 S *	6/2010	Plunk .....	D15/9
D698,369 S *	1/2014	Meza .....	D15/7
D704,748 S *	5/2014	Beers .....	D15/7
D707,719 S *	6/2014	Kamijyo .....	D15/7
D713,860 S *	9/2014	Pedrollo .....	D15/7
9,593,692 B2 *	3/2017	Smith .....	F04D 29/4286

\* cited by examiner

(30) **Foreign Application Priority Data**

Oct. 15, 2015 (EM) ..... 002824201

(51) **LOC (11) Cl.** ..... **15-02**

(52) **U.S. Cl.**  
USPC ..... **D15/7**

(58) **Field of Classification Search**  
USPC ..... D15/7-9; D23/231, 232, 225; 417/60,  
417/235, 265, 321, 355, 358, 363, 359,  
417/410.1, 415-416, 405, 900, 269, 539;  
60/408, 412; 184/26-37; 415/140-147;  
123/495, 509; 137/565.34  
CPC ..... F02M 37/04; F02M 37/14; F04B 53/92;  
F04B 1/005

See application file for complete search history.

*Primary Examiner* — Ralf Seifert

(74) *Attorney, Agent, or Firm* — McGlew and Tuttle, P.C.

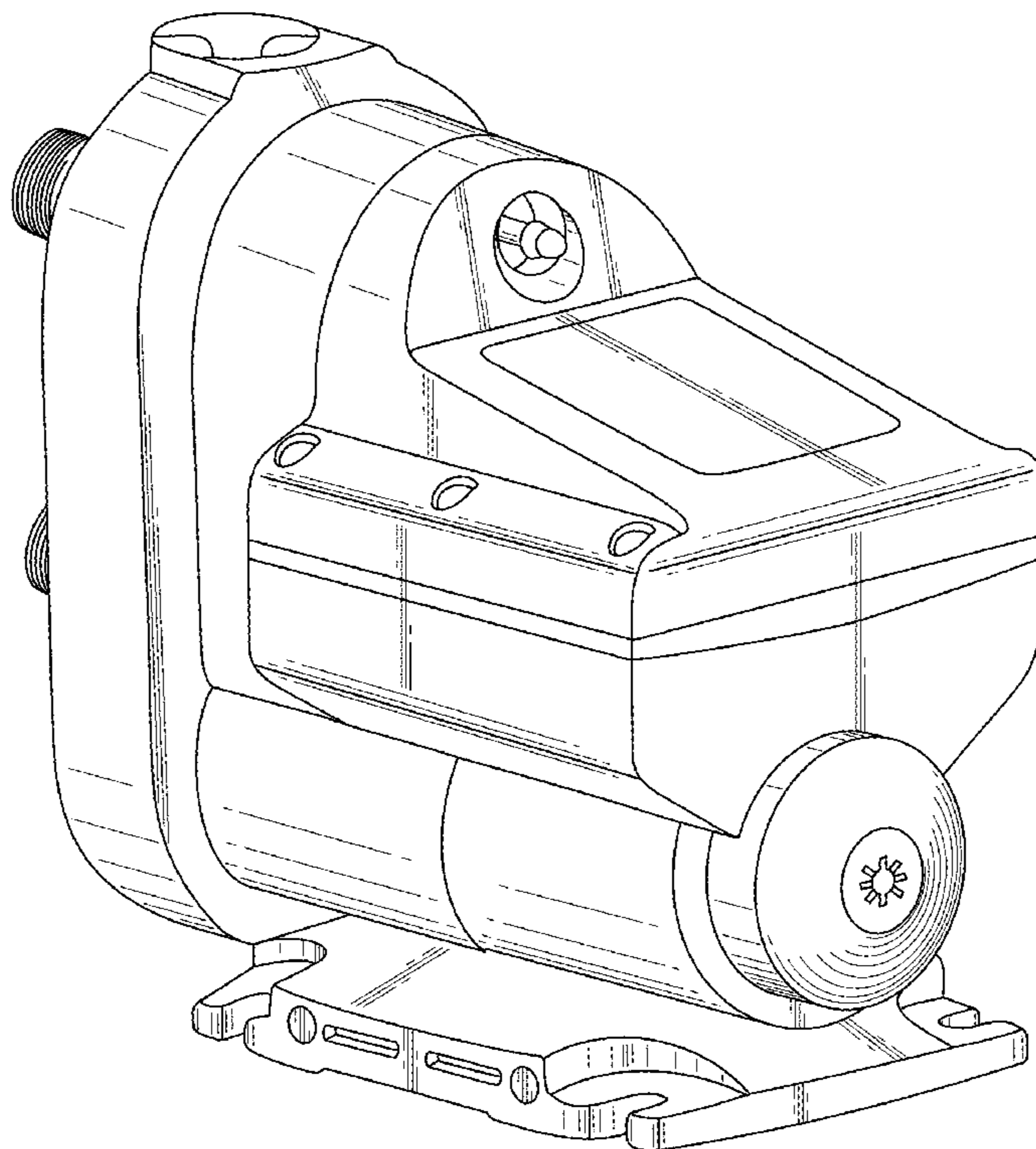
(57) **CLAIM**

The ornamental design for a housing, as shown and described.

**DESCRIPTION**

FIG. 1 is a perspective view of my design;  
FIG. 2 is a front view of the design of FIG. 1;  
FIG. 3 is a rear view of the design of FIG. 1;  
FIG. 4 is a right side view of the design of FIG. 1;  
FIG. 5 is a left side view of the design of FIG. 1;  
FIG. 6 is a top view of the design of FIG. 1; and  
FIG. 7 is a bottom view of the design of FIG. 1.

**1 Claim, 7 Drawing Sheets**



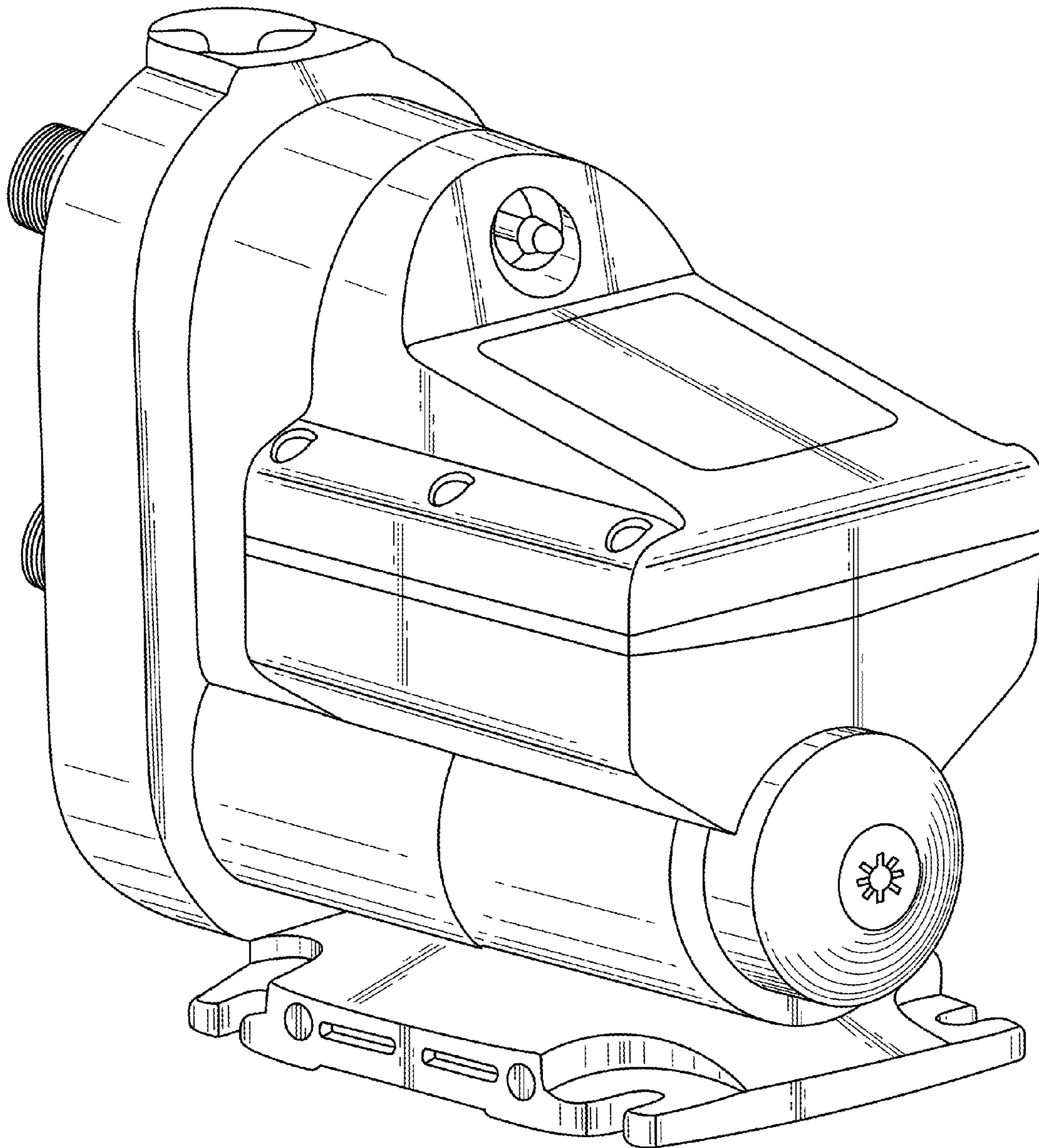


FIG. 1

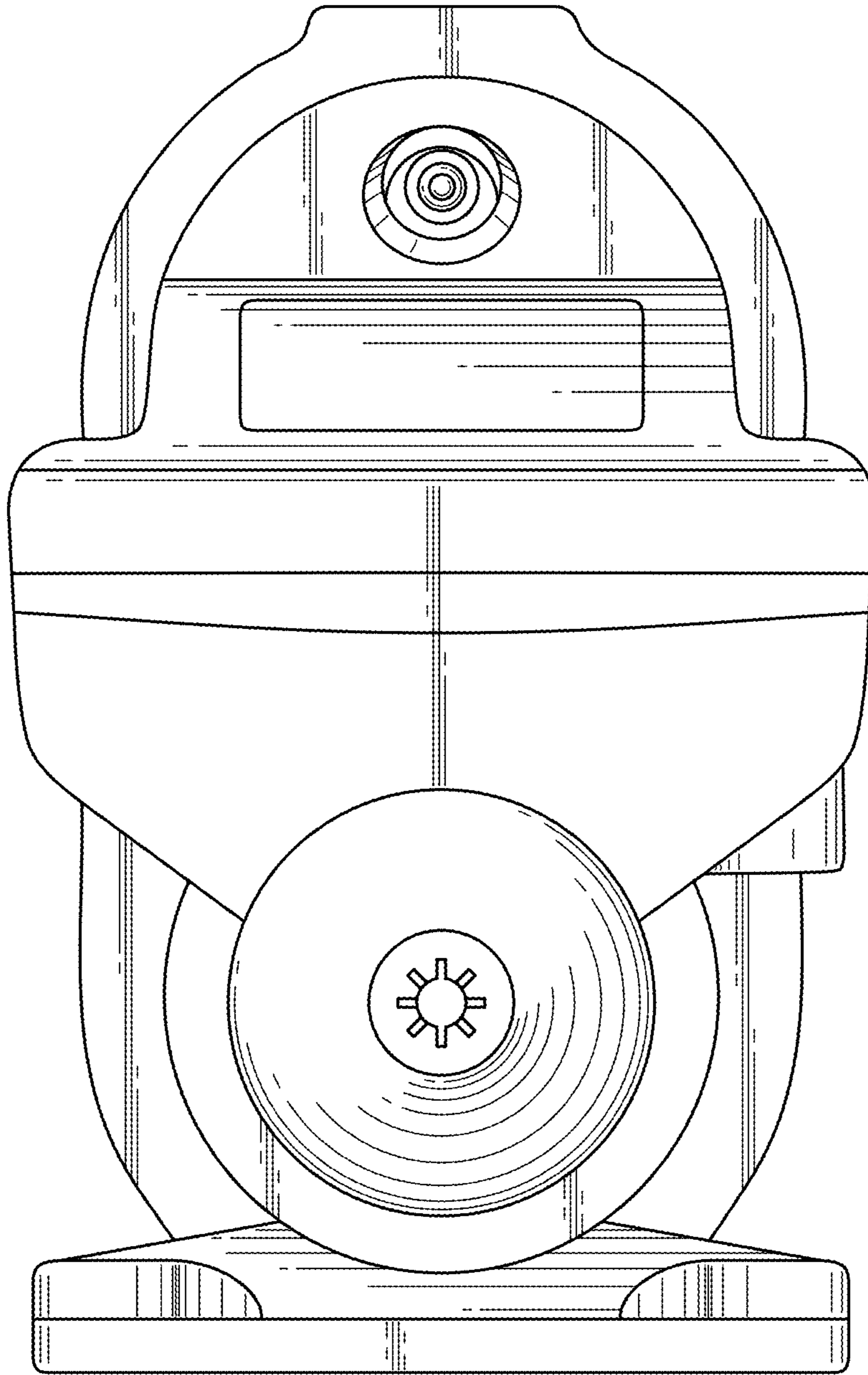


FIG. 2

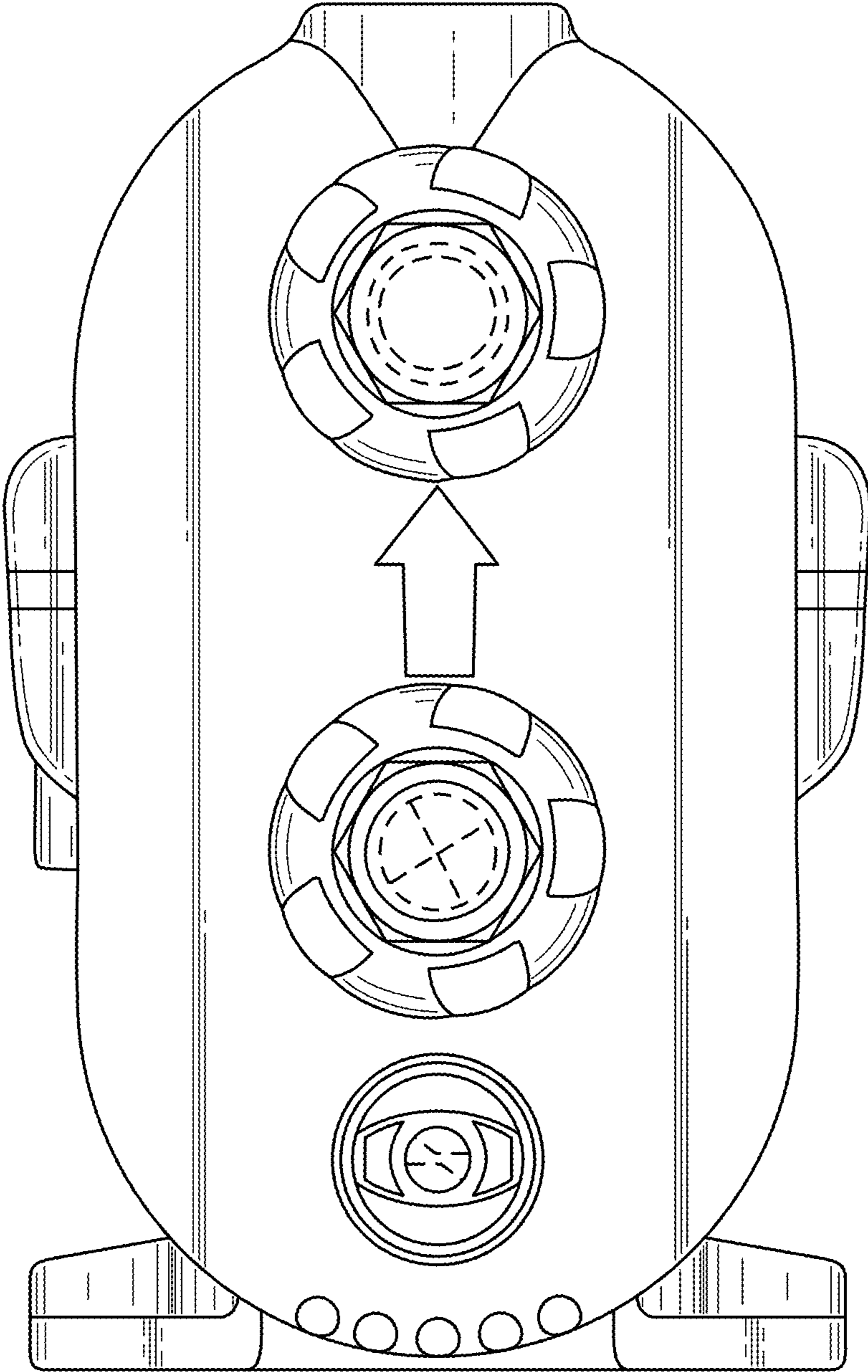


FIG. 3

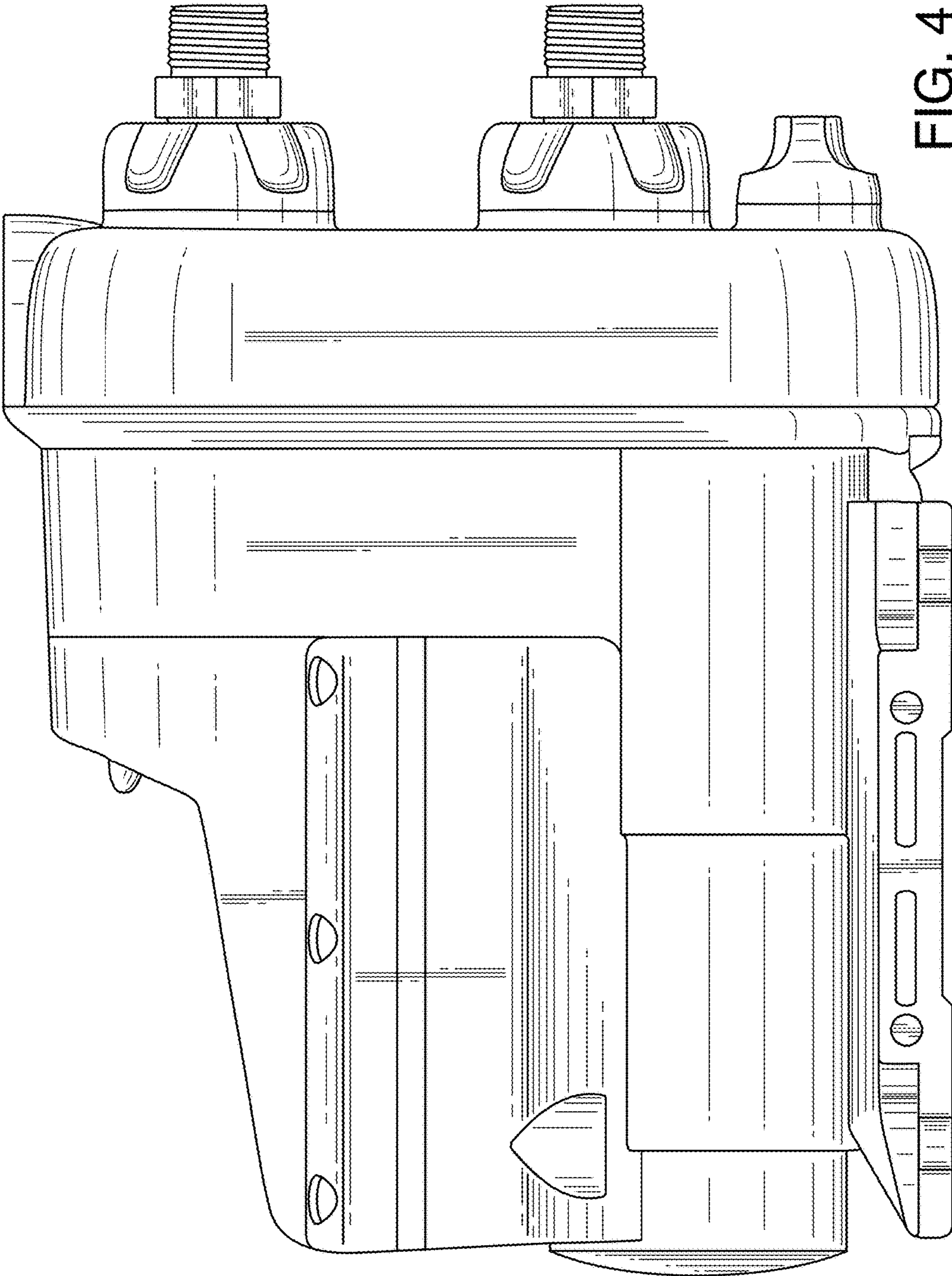


FIG. 4

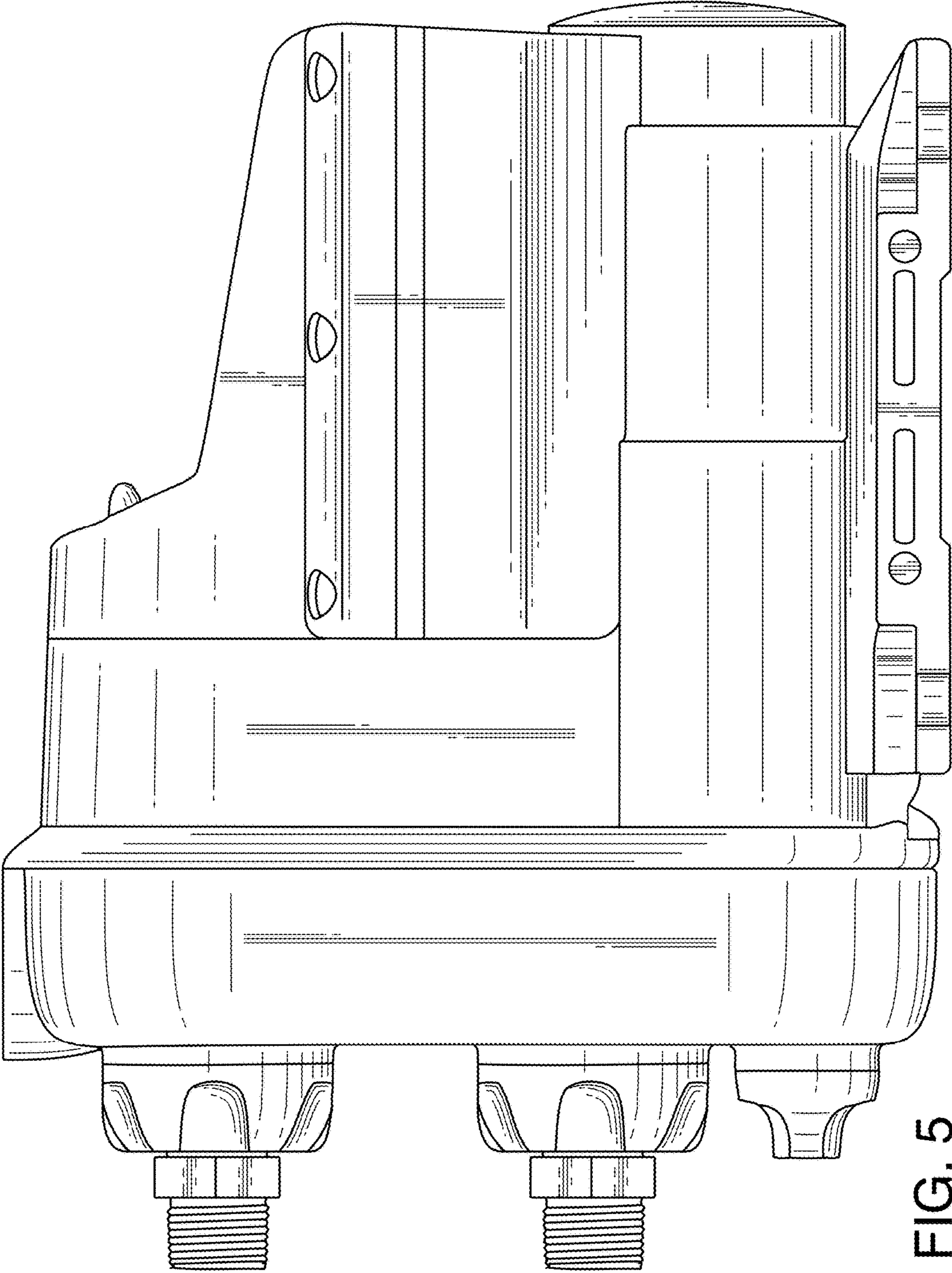


FIG. 5

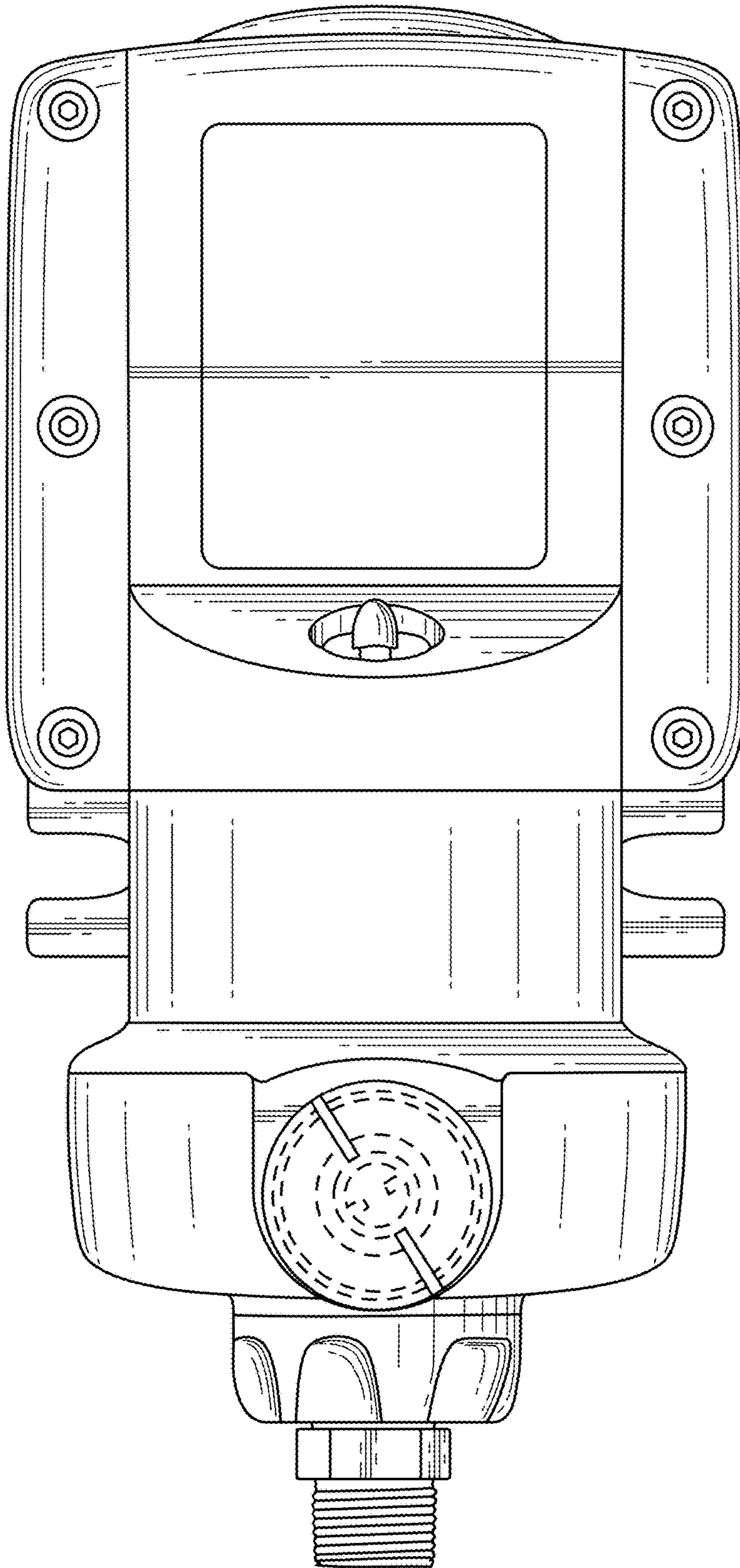


FIG. 6

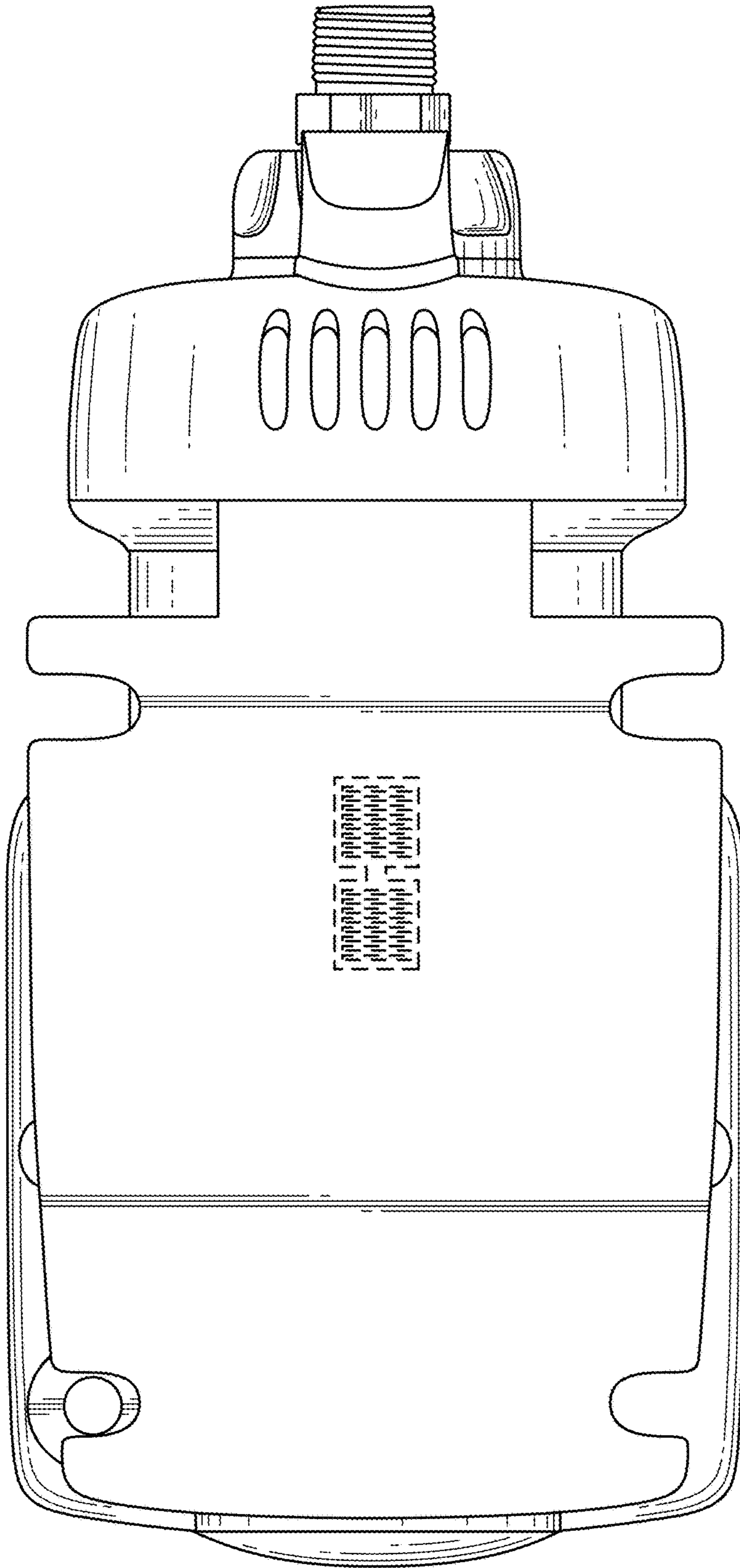


FIG. 7