



US00D833481S

(12) **United States Design Patent** (10) **Patent No.:** **US D833,481 S**
Tiefenthaler (45) **Date of Patent:** **** Nov. 13, 2018**

(54) **ENGINE**

(71) Applicant: **Briggs & Stratton Corporation**,
Wauwatosa, WI (US)

(72) Inventor: **Carl T. Tiefenthaler**, Jackson, WI (US)

(73) Assignee: **Briggs & Stratton Corporation**,
Wauwatosa, WI (US)

(**) Term: **15 Years**

(21) Appl. No.: **29/588,246**

(22) Filed: **Dec. 19, 2016**

(51) **LOC (11) Cl.** **15-01**

(52) **U.S. Cl.**
USPC **D15/5**

(58) **Field of Classification Search**
USPC D15/1, 2, 3, 4, 5
CPC ... F01P 5/02; F01P 1/02; F02B 75/007; F02B
77/02; F02B 2700/03; F02B 75/16; F02B
63/00; F02B 63/02; F02F 1/34; F02M
35/02483; F02M 35/02; F02M 35/0201
See application file for complete search history.

D634,333 S 3/2011 Johnson et al.
D638,444 S 5/2011 He et al.
D647,536 S 10/2011 Tiefenthaler
D663,322 S 7/2012 Sullivan et al.
D667,463 S 9/2012 Tiefenthaler
D667,464 S 9/2012 Tiefenthaler
D668,264 S 10/2012 Tiefenthaler
D671,559 S 11/2012 Martinek et al.
D673,980 S 1/2013 Tiefenthaler
D679,289 S 4/2013 Tiefenthaler
D689,522 S 9/2013 Johnson et al.
D691,177 S 10/2013 Tiefenthaler
D695,317 S * 12/2013 Yano D15/1
D709,522 S * 7/2014 Yano D15/1
D709,523 S * 7/2014 Nonaka D15/1
D723,062 S * 2/2015 Isono D15/5

(Continued)

Primary Examiner — T Chase Nelson
Assistant Examiner — Ania Aman
(74) *Attorney, Agent, or Firm* — Foley & Lardner LLP

(57) **CLAIM**

I claim the ornamental design for an engine, as shown and described.

DESCRIPTION

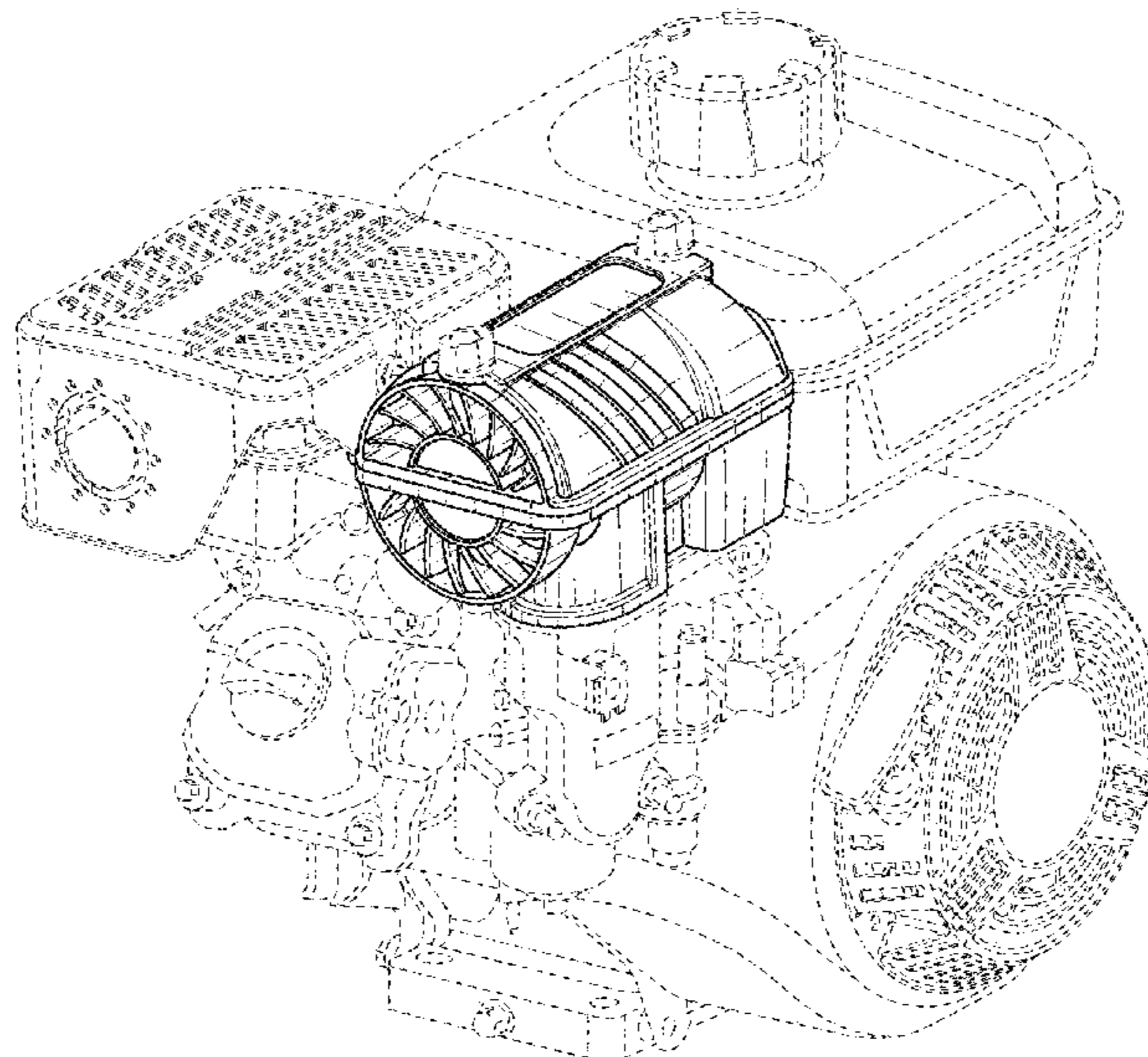
FIG. 1 is a front-left perspective view from above showing my new design;
FIG. 2 is a front view of the claimed design of FIG. 1;
FIG. 3 is a rear view of the claimed design of FIG. 1;
FIG. 4 is a right side view of the claimed design of FIG. 1;
FIG. 5 is a left side view of the claimed design of FIG. 1;
FIG. 6 is a top view of the claimed design of FIG. 1;
FIG. 7 is a bottom view of the claimed design of FIG. 1; and,
FIG. 8 is a front-left perspective view from below of the claimed design of FIG. 1.
The broken lines in the drawings depict unclaimed portions of the engine and form no part of the claimed design.

1 Claim, 8 Drawing Sheets

(56) **References Cited**

U.S. PATENT DOCUMENTS

D516,580 S	3/2006	Li	
D529,046 S *	9/2006	Maeda	D15/1
D529,925 S *	10/2006	Strandell	D15/5
D536,004 S *	1/2007	Ryczek	D15/5
D552,128 S *	10/2007	Li	D15/1
D583,829 S *	12/2008	Fan	D15/1
D595,737 S *	7/2009	Neeley	D15/1
D610,163 S *	2/2010	Wood	D15/1
D612,402 S	3/2010	Dai et al.	
D619,620 S *	7/2010	Mayer	D15/5
D628,597 S *	12/2010	Dai	D15/1



(56)

References Cited

U.S. PATENT DOCUMENTS

RE45,913 E * 3/2016 Giddens D15/5
D751,118 S * 3/2016 Suzuki D15/1
D771,143 S * 11/2016 Yu D15/1
2006/0266338 A1* 11/2006 Kashima B60K 15/03504
123/519
2009/0038879 A1 2/2009 Sato et al.
2009/0199793 A1* 8/2009 Sato F01P 1/02
123/41.62
2009/0230693 A1 9/2009 Yoshida et al.
2009/0230695 A1* 9/2009 Yoshida F02B 63/04
290/1 A
2009/0302610 A1* 12/2009 Kanai F02B 63/04
290/47
2010/0180864 A1 7/2010 Maekawa et al.
2012/0160194 A1* 6/2012 Yano F02F 1/34
123/41.65
2012/0210704 A1* 8/2012 Kawase F01N 1/089
60/320
2014/0338634 A1* 11/2014 Mitchell F02D 17/04
123/332
2016/0296869 A1* 10/2016 Stark F02M 35/0202
2017/0276100 A1* 9/2017 Kaufmann F02M 35/084
2018/0008923 A1* 1/2018 Burton B01D 46/0005

* cited by examiner

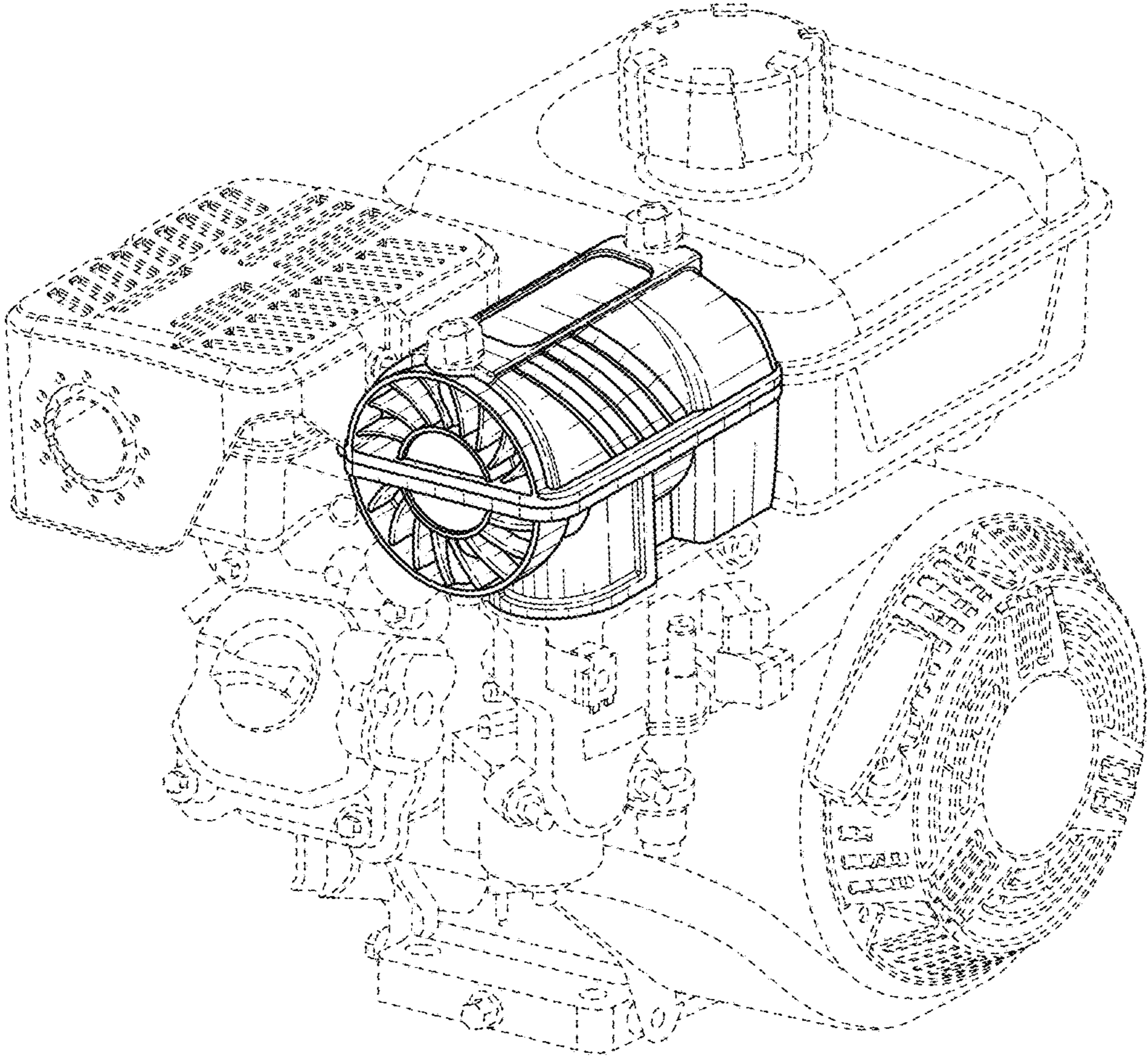


FIG. 1

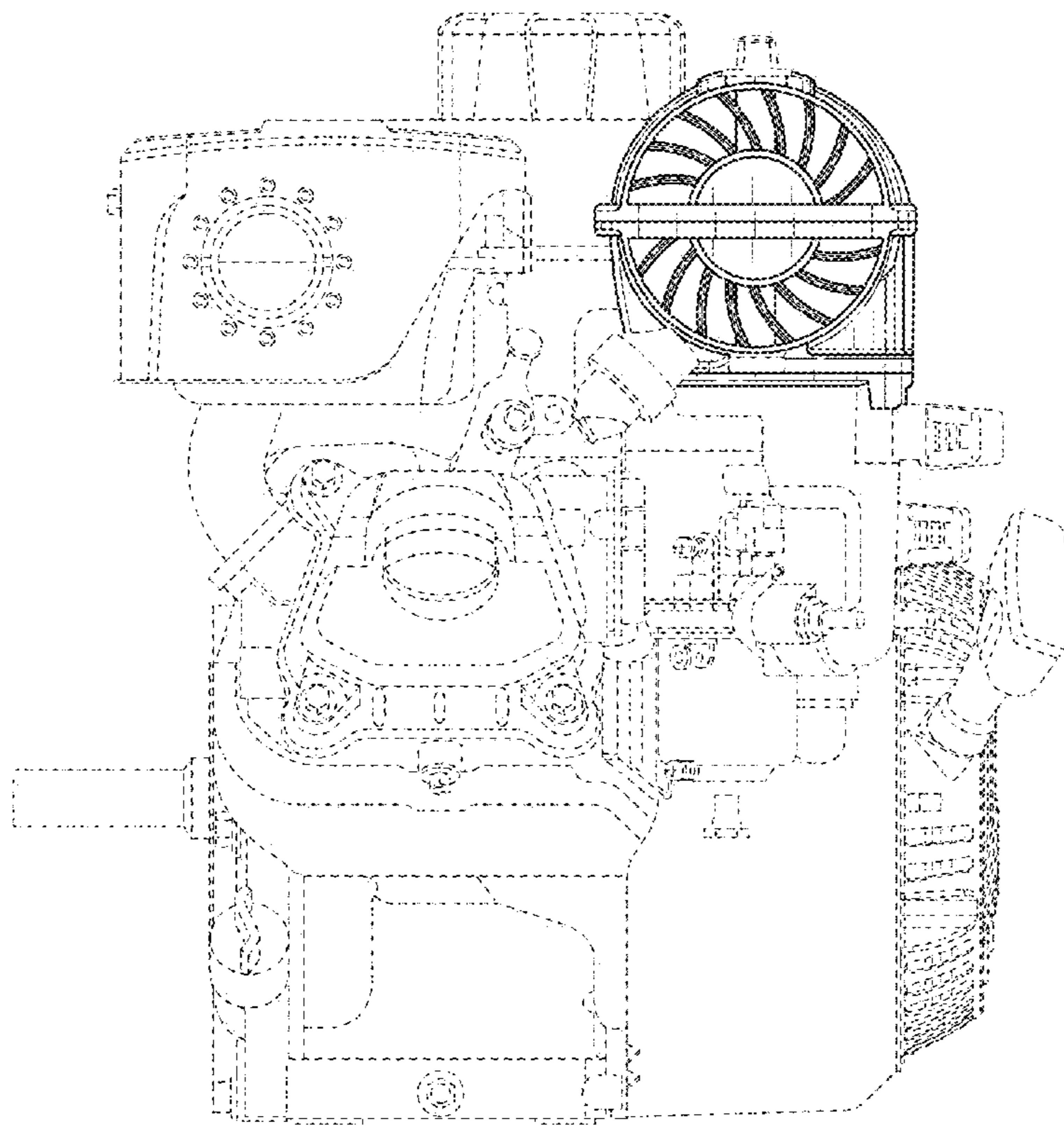


FIG. 2

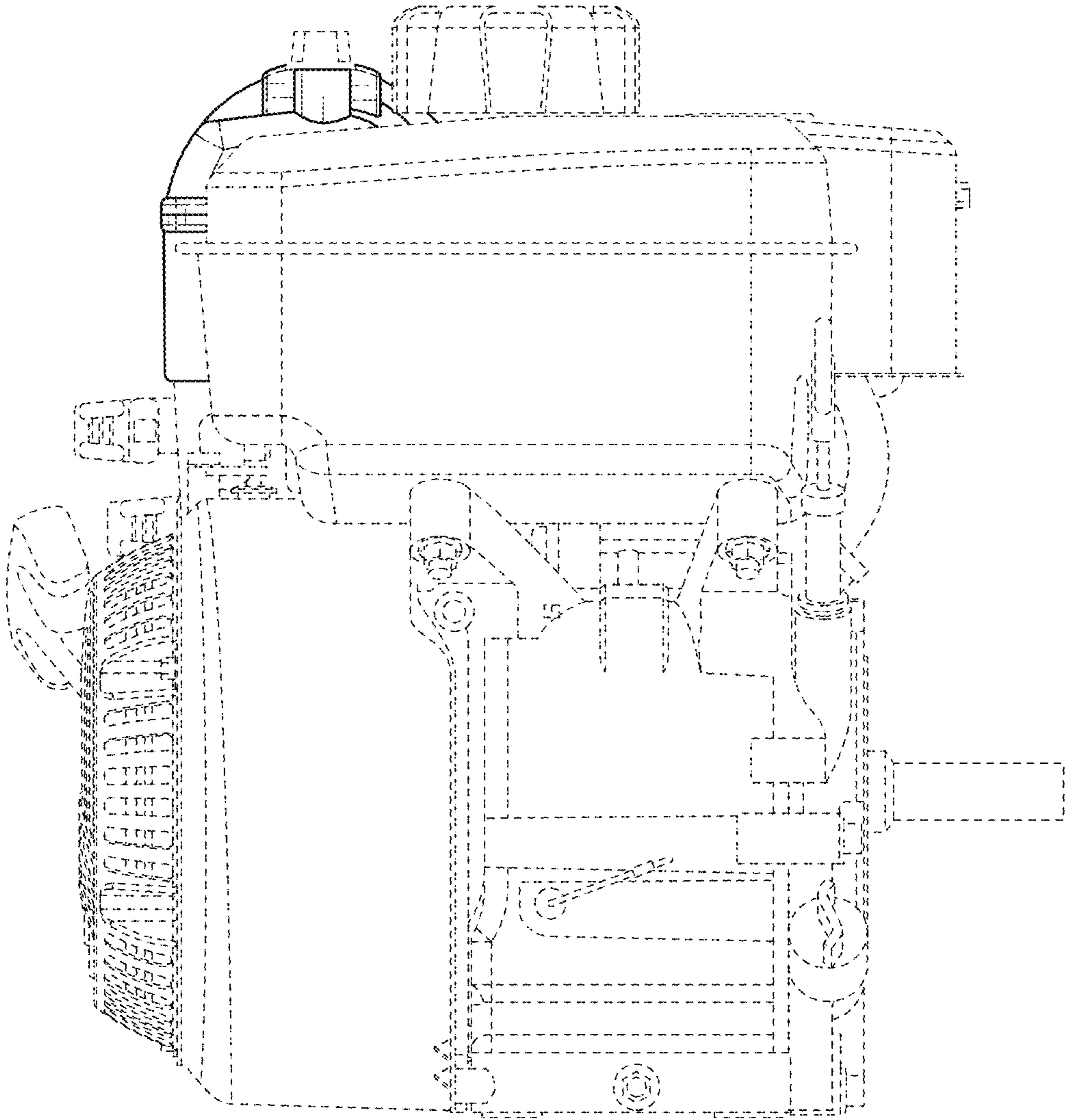


FIG. 3

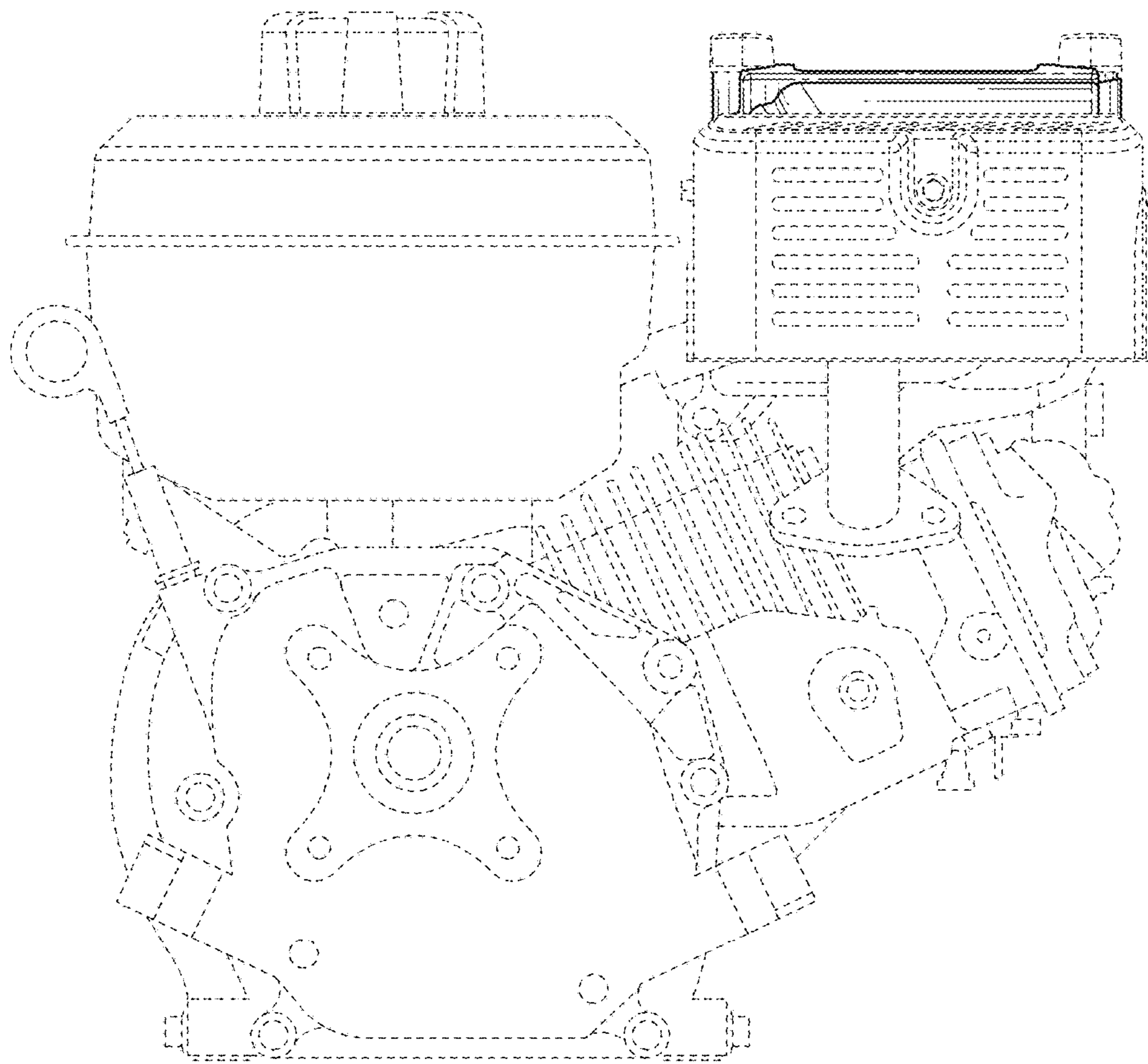


FIG. 4

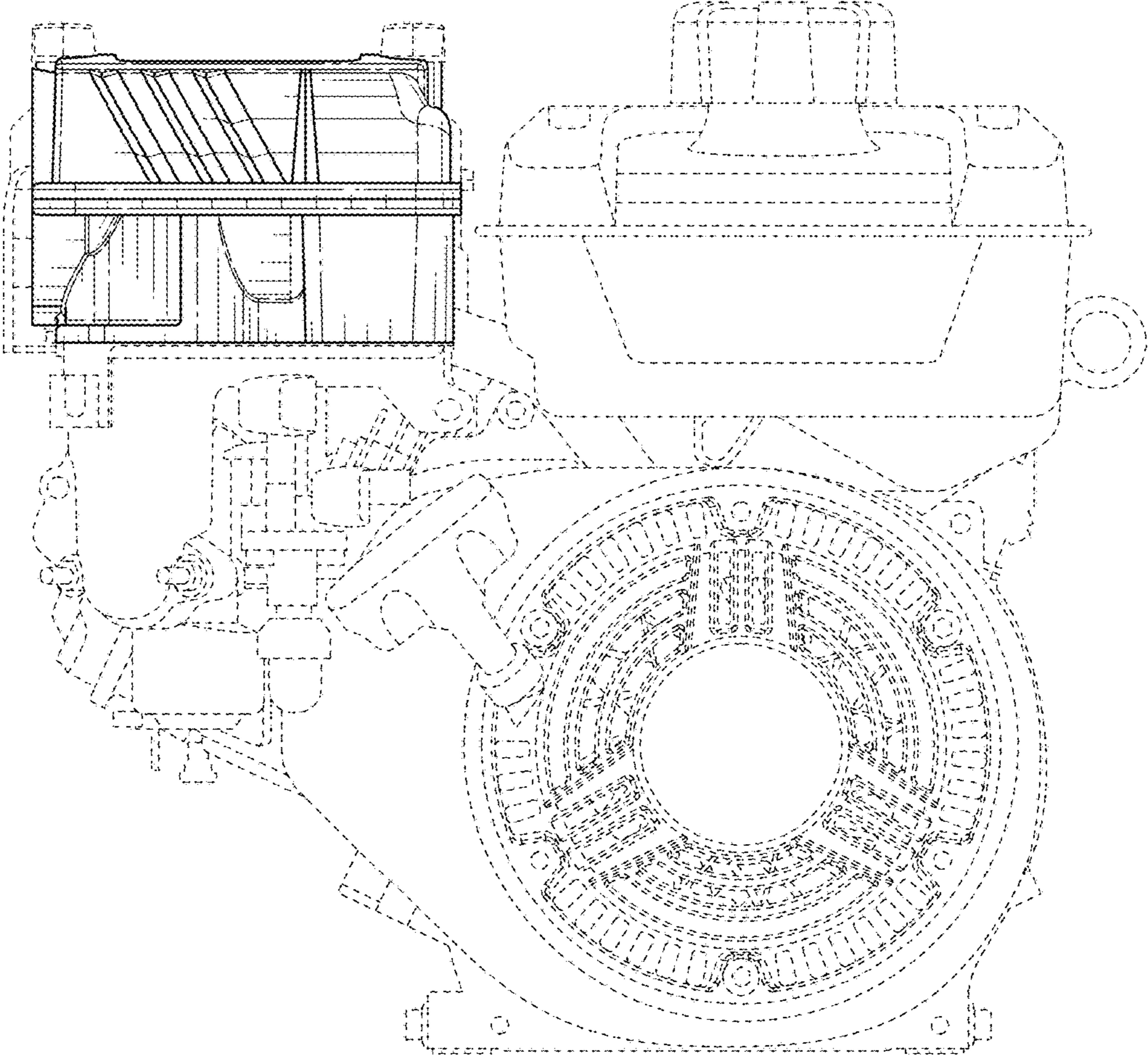


FIG. 5

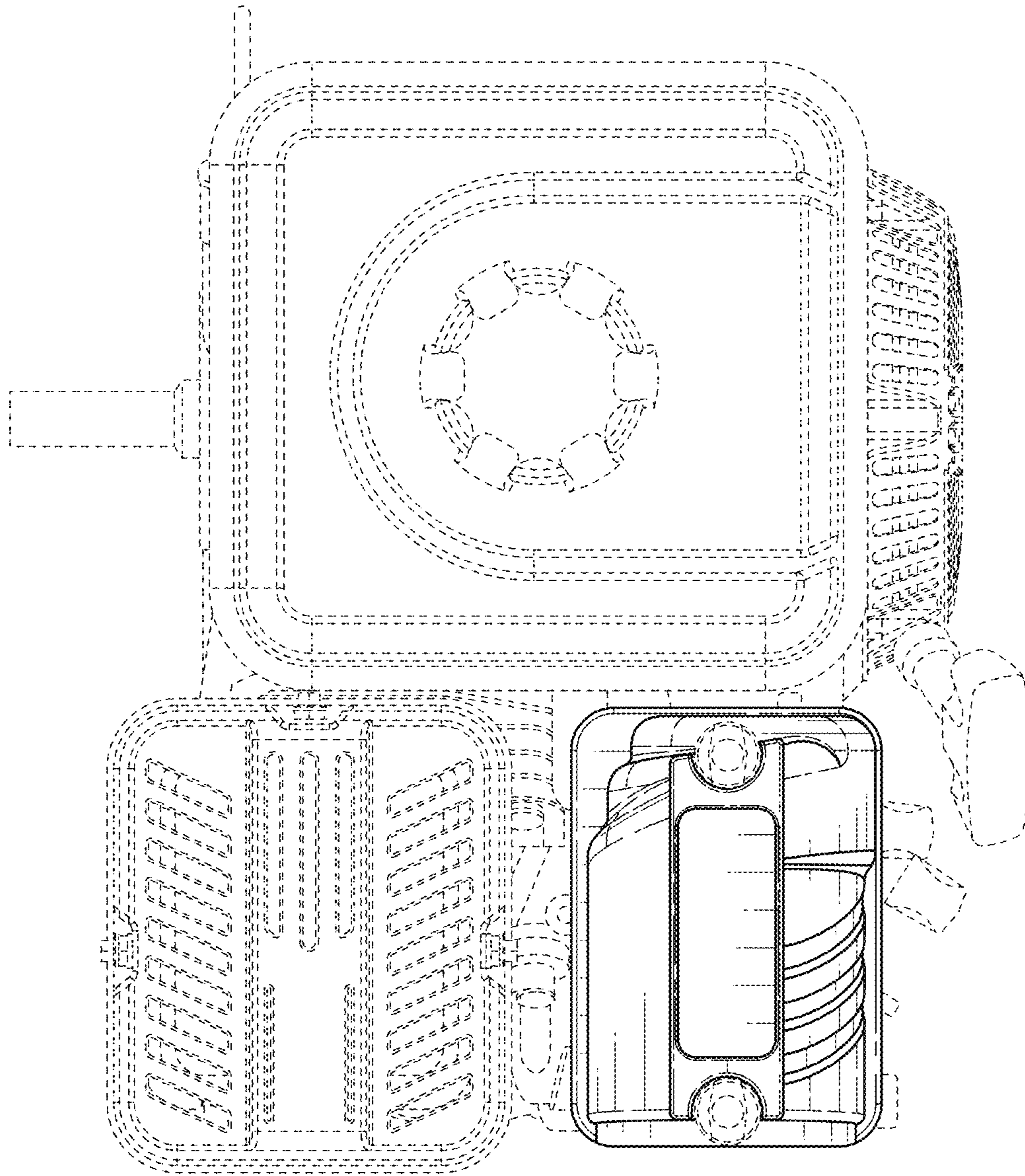


FIG. 6

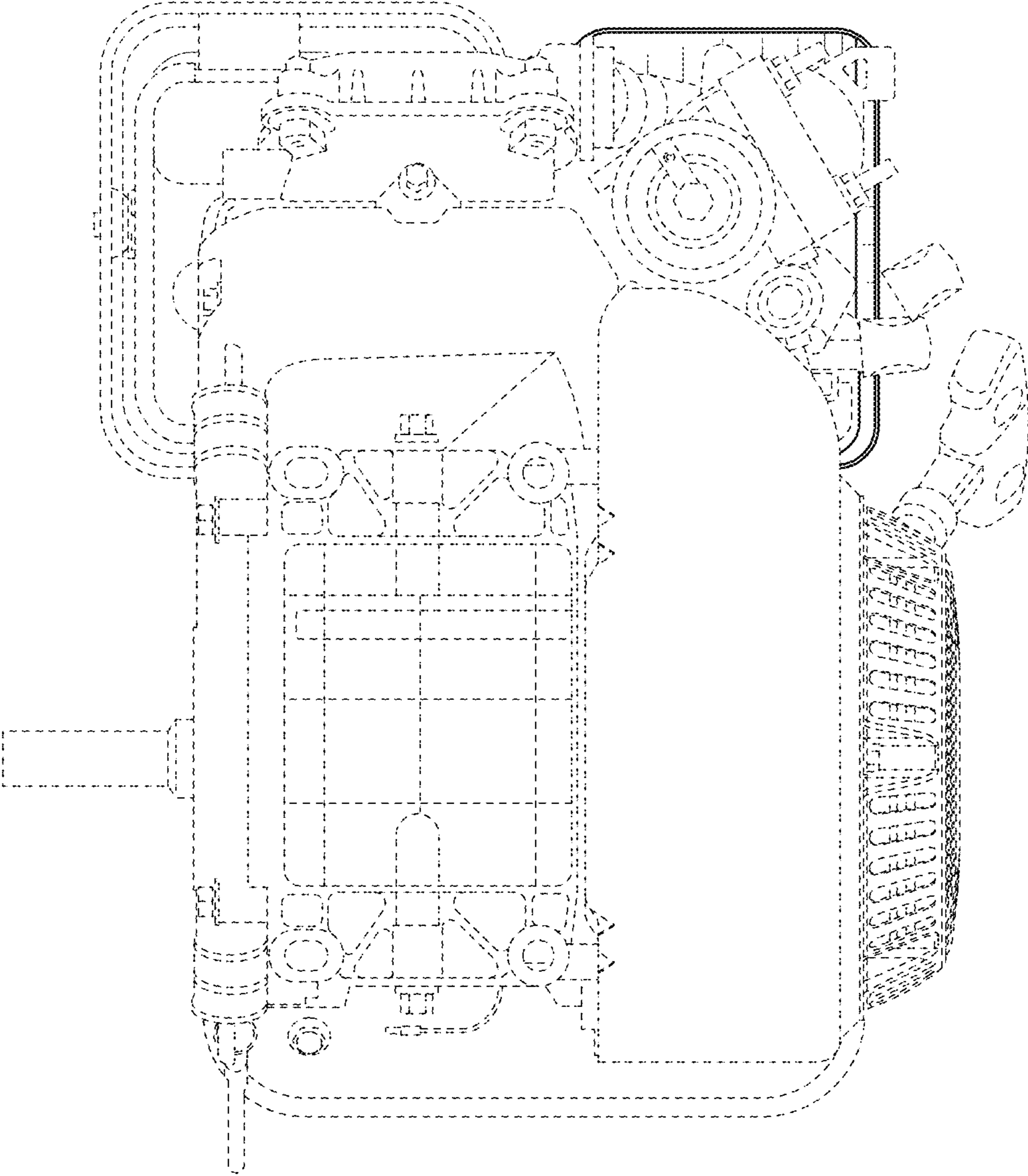


FIG. 7

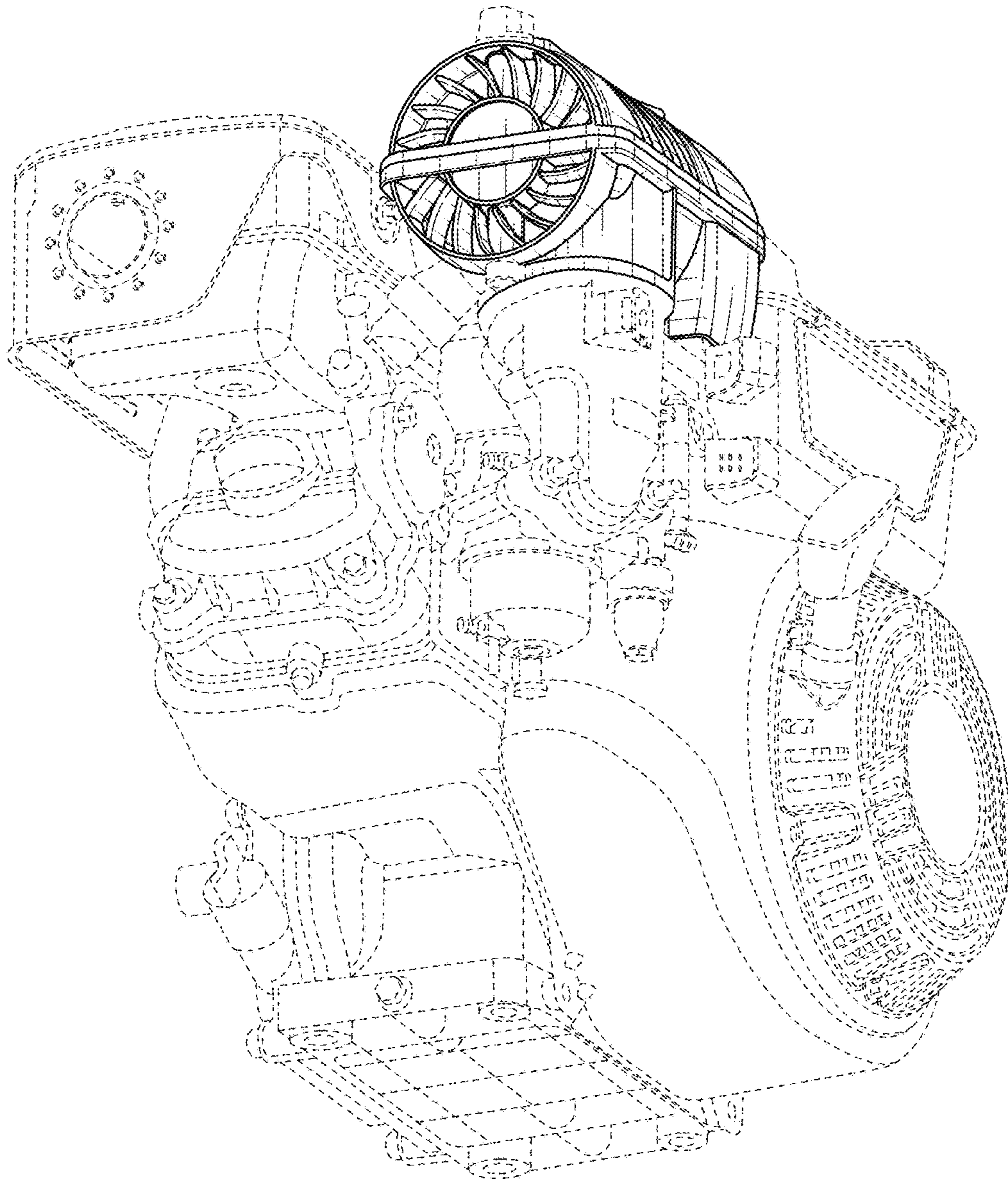


FIG. 8