



US00D833462S

(12) **United States Design Patent** (10) **Patent No.:** **US D833,462 S**
Dahlen (45) **Date of Patent:** **** Nov. 13, 2018**

(54) **DISPLAY SCREEN WITH GRAPHICAL USER INTERFACE FOR A COMMUNICATION TERMINAL**

(71) Applicant: **KENALL MANUFACTURING COMPANY, Kenosha, WI (US)**

(72) Inventor: **Kevin Dahlen, Lindenhurst, IL (US)**

(73) Assignee: **KENALL MANUFACTURING COMPANY, Kenosha, WI (US)**

(**) Term: **15 Years**

(21) Appl. No.: **29/618,699**

(22) Filed: **Sep. 22, 2017**

D665,401 S	8/2012	Rai et al.	
D665,412 S	8/2012	Rai et al.	
D667,841 S	9/2012	Rai et al.	
D672,785 S	12/2012	Rai et al.	
D682,301 S	5/2013	DiJulio et al.	
D689,079 S	9/2013	Edwards et al.	
D689,080 S *	9/2013	Edwards	D14/486
D689,081 S	9/2013	Rhee et al.	
D692,450 S	10/2013	Convay et al.	
8,924,872 B1	12/2014	Bogomolov et al.	
D732,051 S *	6/2015	Jeong	D14/485
D732,569 S	6/2015	Anzures et al.	
D734,346 S	7/2015	Choi et al.	
D735,213 S	7/2015	Kim et al.	
D735,227 S	7/2015	Jeong et al.	
D738,885 S	9/2015	Hau et al.	
D743,999 S	11/2015	Villamor et al.	
D744,520 S	12/2015	McLaughlin et al.	

(Continued)

Related U.S. Application Data

(62) Division of application No. 29/588,846, filed on Dec. 23, 2016, now Pat. No. Des. 801,371, which is a division of application No. 29/483,841, filed on Mar. 4, 2014, now Pat. No. Des. 778,284.

(51) **LOC (11) Cl.** **14-04**

(52) **U.S. Cl.**
USPC **D14/485**

(58) **Field of Classification Search**
USPC D14/485-495
CPC .. G06F 3/04842; G06F 3/0488; G06F 3/0482;
H04W 4/028; H04W 4/04; H04L 67/10;
H04L 67/18; A42B 3/042
See application file for complete search history.

(56) **References Cited**

U.S. PATENT DOCUMENTS

6,795,795 B2	9/2004	Kreichauf
D586,821 S	2/2009	Koh
D605,652 S	12/2009	Plaisted et al.
D648,341 S	11/2011	Chen
D652,839 S	1/2012	Tokunaga et al.
D663,739 S	7/2012	Weir et al.

OTHER PUBLICATIONS

Encelium—Energy Control System Software, Polaris 3D™—Web Based Control Software, 2 pages.

Primary Examiner — Sheryl Lane

Assistant Examiner — Nicole C Shiflet

(74) *Attorney, Agent, or Firm* — Marshall, Gerstein & Borun LLP

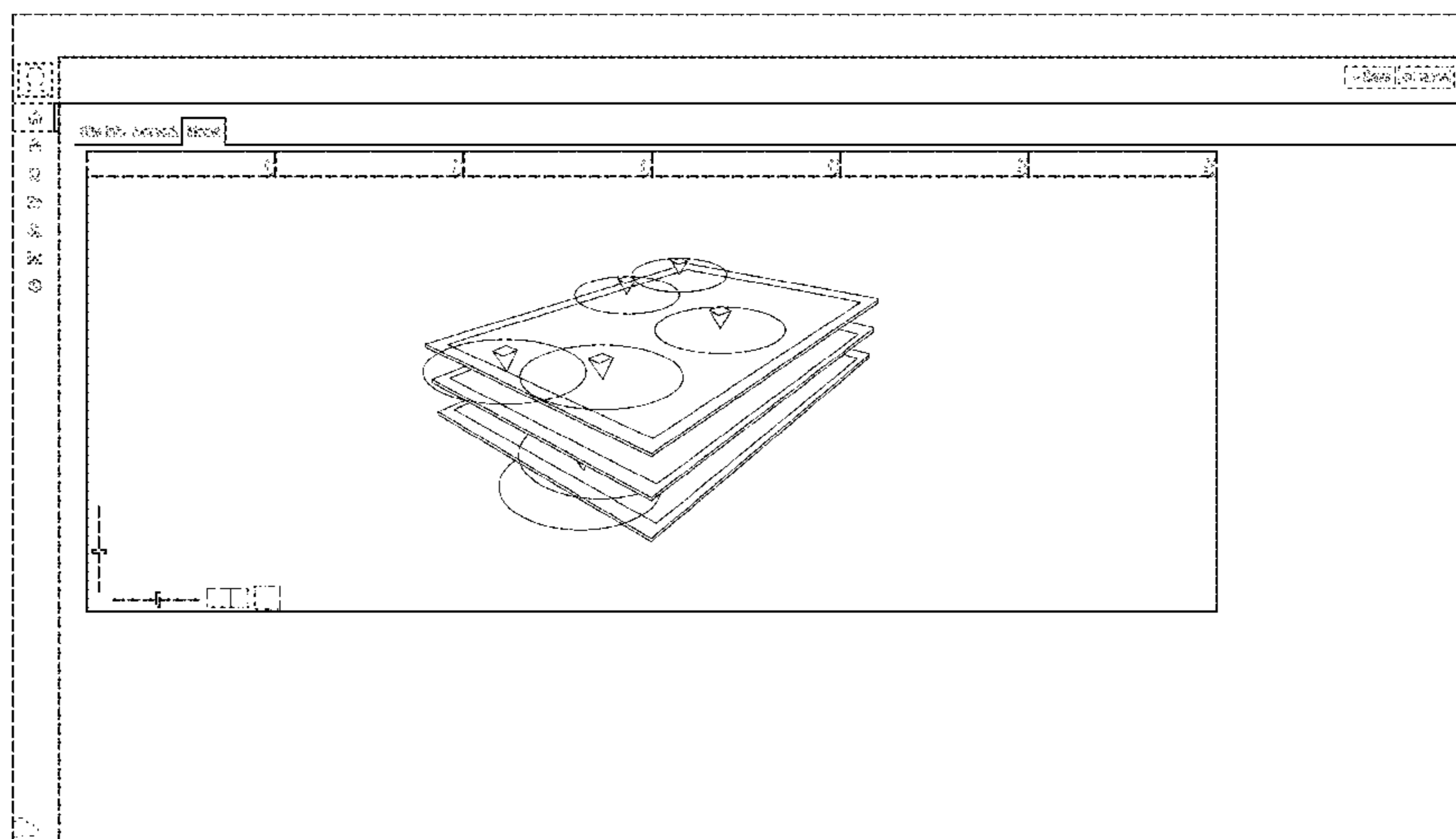
(57) **CLAIM**

The ornamental design for a display screen with graphical user interface for a communication terminal, as shown and described.

DESCRIPTION

The FIGURE is a front view of a display screen with graphical user interface for a communication terminal. The broken lines showing the display screen, text, and portions of the graphical user interface form no part of the claimed design.

1 Claim, 1 Drawing Sheet



(56)

References Cited

U.S. PATENT DOCUMENTS

D744,527 S	12/2015	Sanderson		D778,284 S	2/2017	Dahlen	
D746,837 S	1/2016	Guesnon, Jr.		D778,288 S *	2/2017	Pickard	D14/485
D748,124 S *	1/2016	Jeon	D14/486	D779,528 S	2/2017	Binder et al.	
D748,649 S	2/2016	Kovacevic et al.		D781,887 S	3/2017	Dziuba et al.	
D749,112 S	2/2016	Coburn et al.		D789,377 S	6/2017	Vazquez	
D750,099 S	2/2016	Seo et al.		D791,154 S *	7/2017	Dzierson	D14/486
D750,120 S	2/2016	Kovacevic et al.		D822,709 S *	7/2018	Rajeswaran	D14/487
D750,656 S	3/2016	Kim et al.		D823,868 S *	7/2018	Eissa	D14/486
D753,163 S	4/2016	Vazquez		2006/0271287 A1	11/2006	Gold et al.	
D754,675 S	4/2016	Vazquez et al.		2008/0198159 A1	8/2008	Liu et al.	
D758,399 S *	6/2016	Kendler	D14/486	2012/0297346 A1	11/2012	Hoffknecht et al.	
D762,679 S *	8/2016	Jeon	D14/486	2014/0018940 A1 *	1/2014	Casilli	G05B 15/02 700/29
D772,258 S	11/2016	Dziuba et al.		2014/0095598 A1	4/2014	Schornack et al.	
9,488,481 B2 *	11/2016	Javed	G01C 21/206	2014/0282256 A1	9/2014	Fish et al.	
D774,529 S *	12/2016	Klein	D14/486	2014/0357215 A1	12/2014	Michaelis et al.	
D775,144 S	12/2016	Vazquez		2015/0235202 A1	8/2015	Zabala	
D775,635 S	1/2017	Raji et al.		2015/0309702 A1	10/2015	Butler et al.	
D777,181 S *	1/2017	Hoard	D14/486	2015/0324606 A1	11/2015	Grondin et al.	
				2015/0331969 A1	11/2015	Dahlen et al.	

* cited by examiner

