



US00D833456S

(12) **United States Design Patent**
Graham et al.

(10) **Patent No.:** **US D833,456 S**

(45) **Date of Patent:** **** Nov. 13, 2018**

(54) **PORTION OF DISPLAY SCREEN WITH ANIMATED USER INTERFACE**

(71) Applicant: **RICOH COMPANY, LTD.**, Tokyo (JP)

(72) Inventors: **Jamey Graham**, San Jose, CA (US);
Daniel Van Olst, San Francisco, CA (US)

(73) Assignee: **Ricoh Company, Ltd.**, Tokyo (JP)

(**) Term: **15 Years**

(21) Appl. No.: **29/615,432**

(22) Filed: **Aug. 29, 2017**

Related U.S. Application Data

(62) Division of application No. 29/515,009, filed on Jan. 20, 2015, now Pat. No. Des. 799,498.

(51) **LOC (11) Cl.** **14-04**

(52) **U.S. Cl.**
USPC **D14/485**

(58) **Field of Classification Search**
USPC D14/485-495
CPC G06F 3/0416; G06F 3/048; G06Q 40/10;
H04N 2201/0084

See application file for complete search history.

(56) **References Cited**

U.S. PATENT DOCUMENTS

6,037,936 A	3/2000	Ellenby
D591,305 S	4/2009	Shimoda
D593,107 S	5/2009	Shimoda
D641,762 S	7/2011	Matas
D642,184 S	7/2011	Brouwers
D647,914 S	11/2011	Brouwers
D651,611 S	1/2012	Ouilhet
D697,523 S	1/2014	Oda
D703,221 S	4/2014	Park

D722,606 S	2/2015	Stroupe	
D734,770 S	7/2015	Kim	
D747,352 S *	1/2016	Lee	D14/492
D752,618 S *	3/2016	Lee	D14/486

(Continued)

Primary Examiner — Robin V Webster

Assistant Examiner — Rachel A Voorhies

(74) *Attorney, Agent, or Firm* — Blank Rome LLP

(57) **CLAIM**

The ornamental design for portion of display screen with animated graphical user interface, as shown and described.

DESCRIPTION

FIG. 1 is the front view of the first image of the portion of display screen with animated graphical user interface, showing the new design;

FIG. 2 is the second image thereof;

FIG. 3 is the third image thereof; and

FIG. 4 is the fourth image thereof.

FIG. 5 is the front view of the first image of a second embodiment of the portion of display screen with animated graphical user interface;

FIG. 6 is the second image thereof;

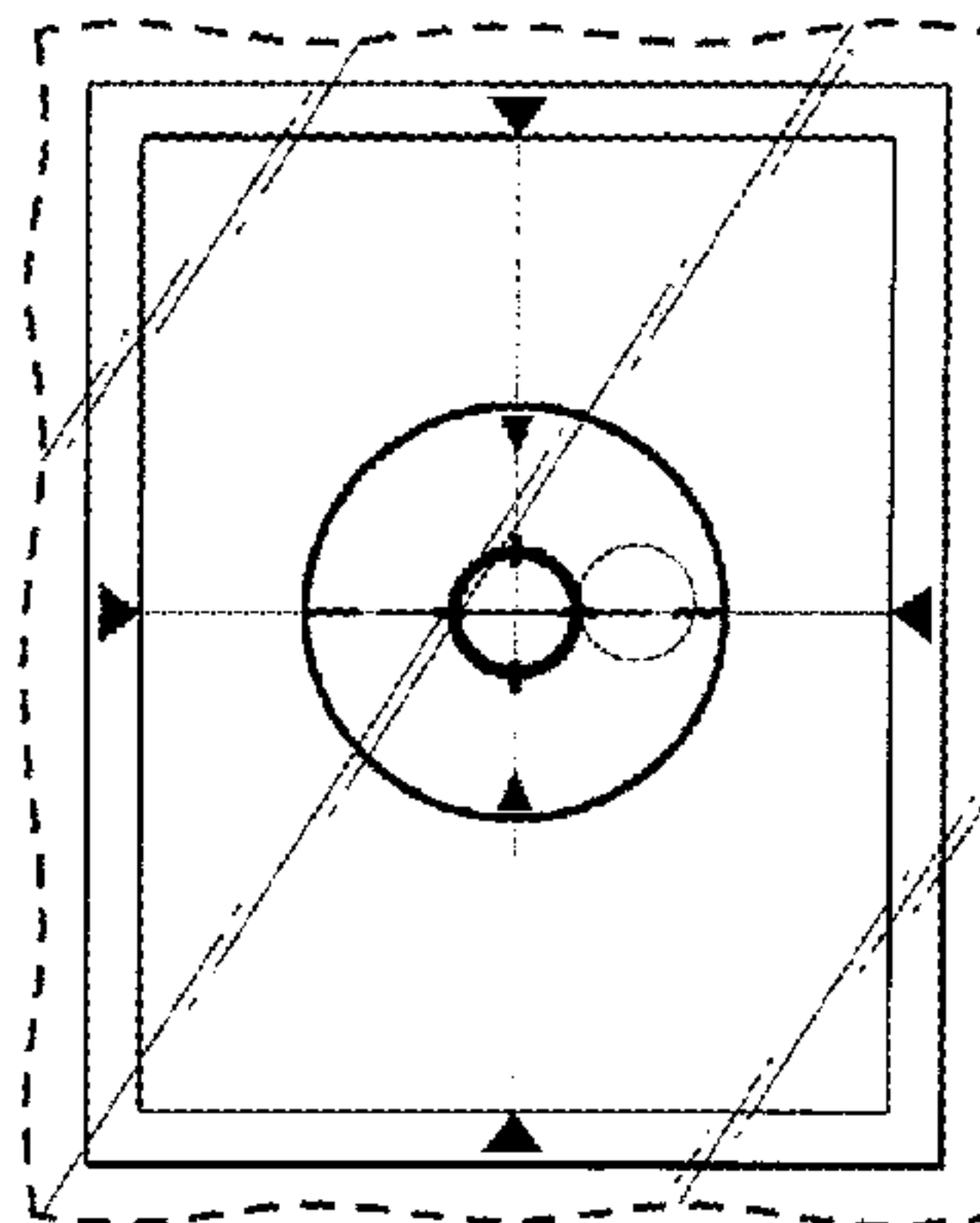
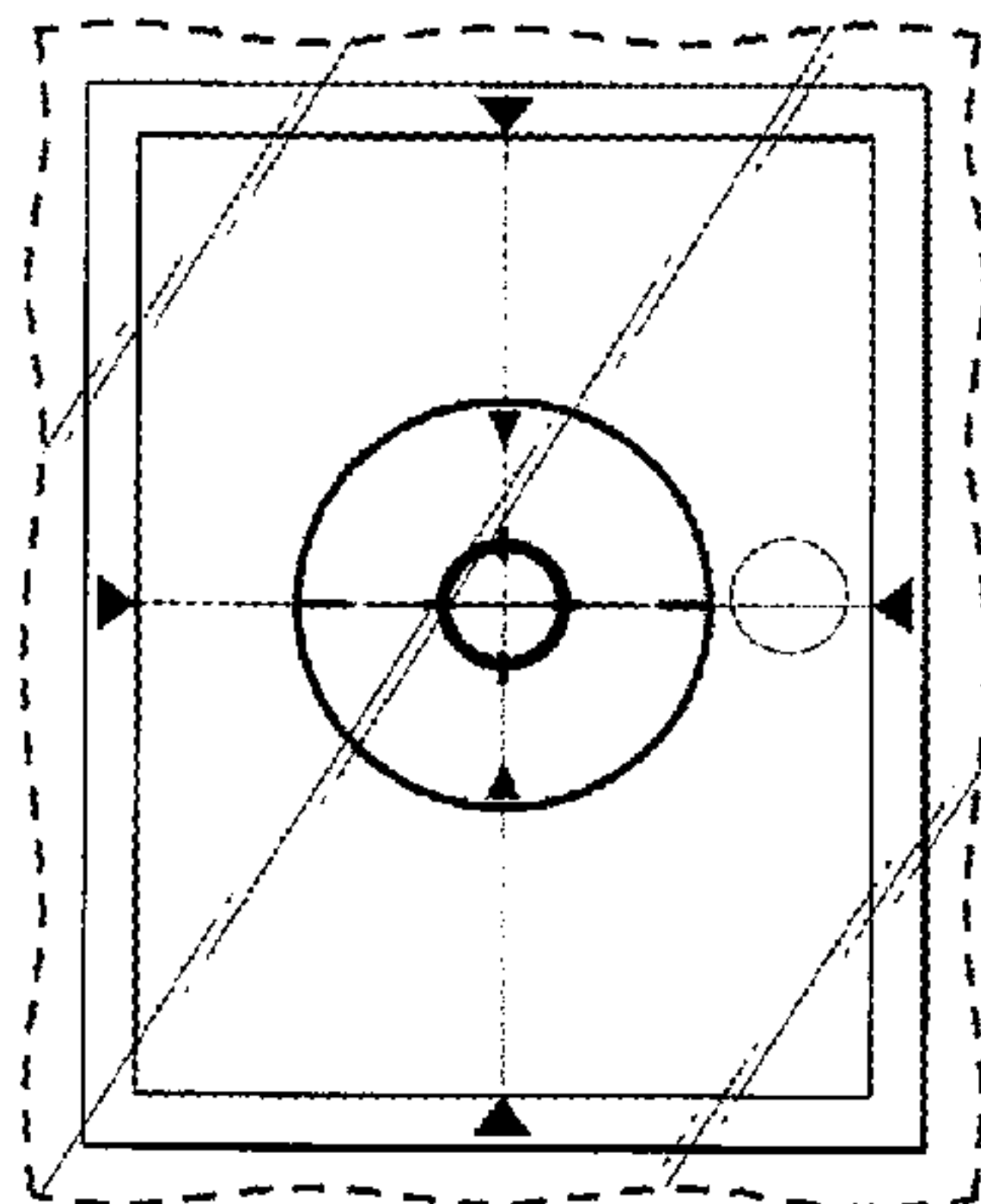
FIG. 7 is the third image thereof; and,

FIG. 8 is the fourth image thereof.

The appearance of the first embodiment of the portion of display screen with animated graphical user interface transitions sequentially between the images shown in FIGS. 1-4. The appearance of the second embodiment transitions sequentially between the images shown in FIGS. 5-8. The process or period in which one image transitions to another forms no part of the claimed invention.

The broken line in each of FIGS. 1-8 represents the outer periphery of the portion of the display screen, and also the outer periphery of the claimed design. The broken line itself forms no part of the claimed design.

1 Claim, 2 Drawing Sheets



(56)

References Cited

U.S. PATENT DOCUMENTS

D754,677	S	*	4/2016	Takizawa	D14/485
D755,208	S	*	5/2016	Jang	D14/485
D755,240	S	*	5/2016	Cavander	G06F 3/04817
						D14/494
D758,441	S	*	6/2016	Yang	D14/492
D762,658	S	*	8/2016	Woo	D14/485
D762,704	S	*	8/2016	Li	D14/488
D762,717	S	*	8/2016	Kim	D14/489
D765,113	S	*	8/2016	Chou	D14/486
D771,060	S	*	11/2016	Miyazaki	D14/485
D777,768	S	*	1/2017	Persson	D14/487
D778,311	S	*	2/2017	Denis	D14/487
D779,516	S	*	2/2017	Pierson	D14/486
D783,675	S	*	4/2017	Yagisawa	D14/489
D787,548	S	*	5/2017	Basargin	D14/488
D789,976	S	*	6/2017	Gibson	D14/488
D796,539	S	*	9/2017	Sakuma	D14/487
D797,752	S	*	9/2017	Sugawara	D14/485
D798,309	S	*	9/2017	Rickes	D14/485
D799,498	S	*	10/2017	Graham	D14/485
2014/0110483	A1		4/2014	Benson		
2015/0339051	A1		11/2015	Yang		

* cited by examiner

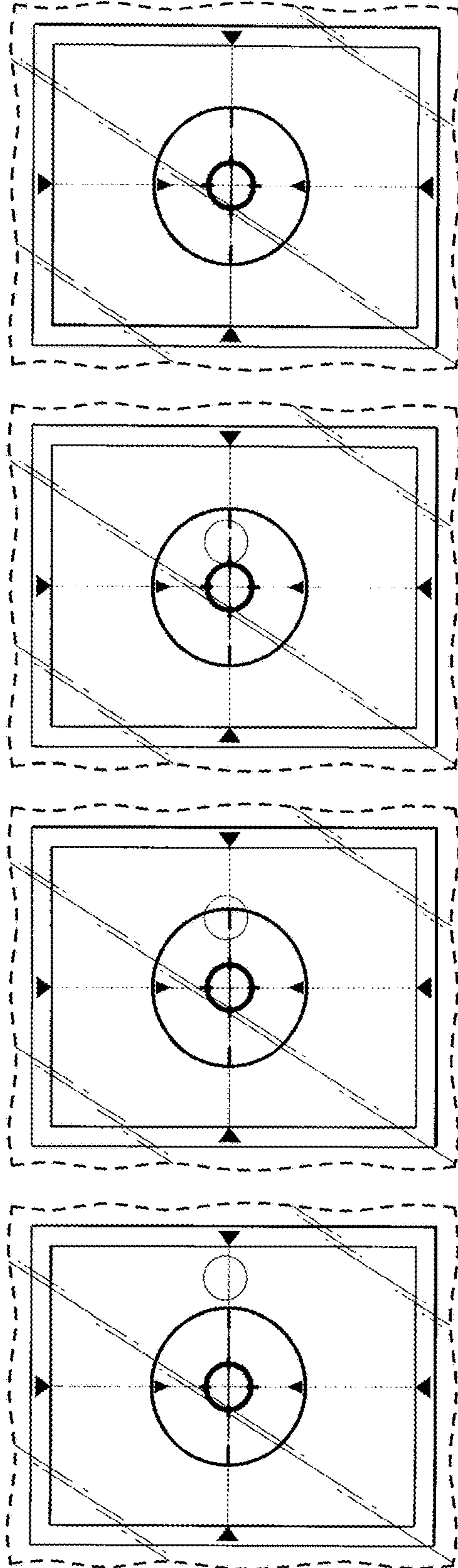


FIG. 1

FIG. 2

FIG. 3

FIG. 4

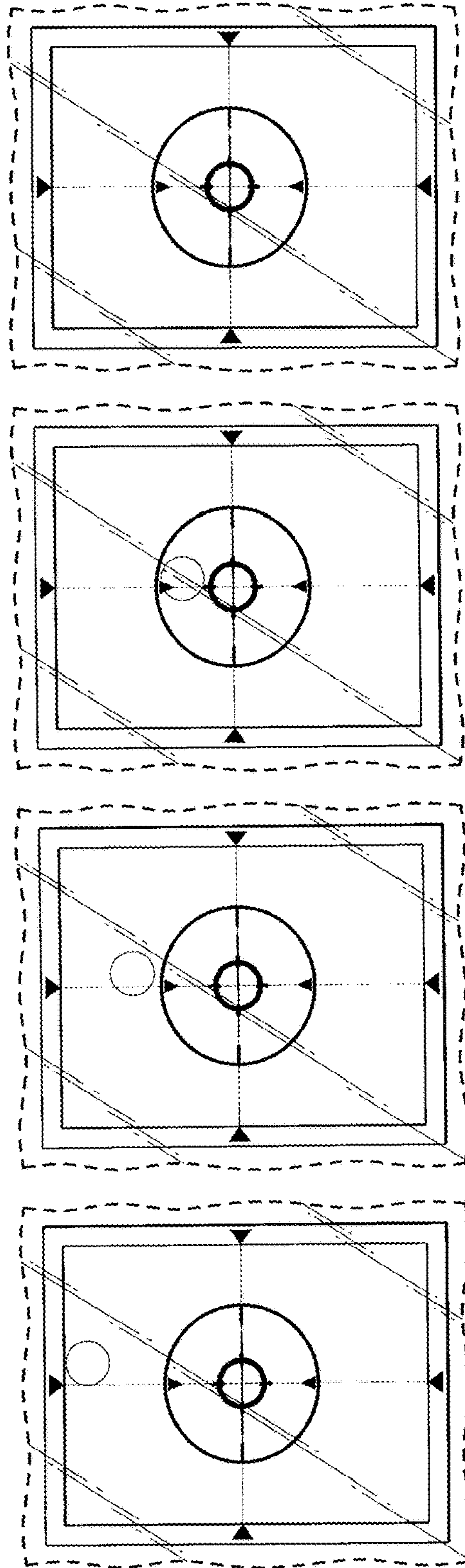


FIG. 8

FIG. 7

FIG. 6

FIG. 5