



US00D833452S

(12) **United States Design Patent**  
**Helwig et al.**

(10) **Patent No.:** **US D833,452 S**

(45) **Date of Patent:** **\*\* Nov. 13, 2018**

(54) **KEYBOARD**

(71) Applicant: **Logitech Europe S.A.**, Lausanne (CH)

(72) Inventors: **Marten Helwig**, Bern-Hinterkappelen (CH); **Bengt Gunnar Brümmer**, Lausanne (CH); **Jasper Phua Jun Shu**, Lausanne (CH); **Khodayar Feiz**, Amsterdam (NL); **Jerry Thong**, Amsterdam (NL); **Charlotte Alexandra Cathelijm Coster**, Amsterdam (NL); **Tom Michael Bril**, Amsterdam (NL); **Johan van Hengel**, Amsterdam (NL)

(73) Assignee: **Logitech Europe S.A.**, Lausanne (CH)

(\*\*) Term: **15 Years**

(21) Appl. No.: **29/555,306**

(22) Filed: **Feb. 19, 2016**

(51) **LOC (11) Cl.** ..... **14-02**

(52) **U.S. Cl.**  
USPC ..... **D14/455**

(58) **Field of Classification Search**  
USPC ..... D14/240, 138, 318, 341, 391-399, 443, D14/455, 456, 315, 434; D18/1, 2, 7; 345/156, 160, 168, 169, 173  
CPC ..... G06F 1/1613; G06F 1/1671; G06F 1/1654  
See application file for complete search history.

(56) **References Cited**

**U.S. PATENT DOCUMENTS**

D628,998 S \* 12/2010 Wu ..... D14/391  
D689,059 S \* 9/2013 Tak ..... D14/455

D742,380 S \* 11/2015 Park ..... D14/392  
D746,819 S \* 1/2016 Feiz ..... D14/392  
D754,137 S \* 4/2016 Ozolins ..... D14/455  
D765,077 S \* 8/2016 Park ..... D14/392  
D768,632 S \* 10/2016 Ruegg ..... D14/392  
D786,249 S \* 5/2017 Feiz ..... D14/392  
2013/0249801 A1 \* 9/2013 Paschke ..... G06F 3/0213  
345/168  
2016/0149428 A1 \* 5/2016 Nunami ..... G06F 1/1632  
320/136

\* cited by examiner

*Primary Examiner* — Lakiya G Rogers

*Assistant Examiner* — Harold E Blackwell, II

(74) *Attorney, Agent, or Firm* — Kilpatrick Townsend & Stockton LLP

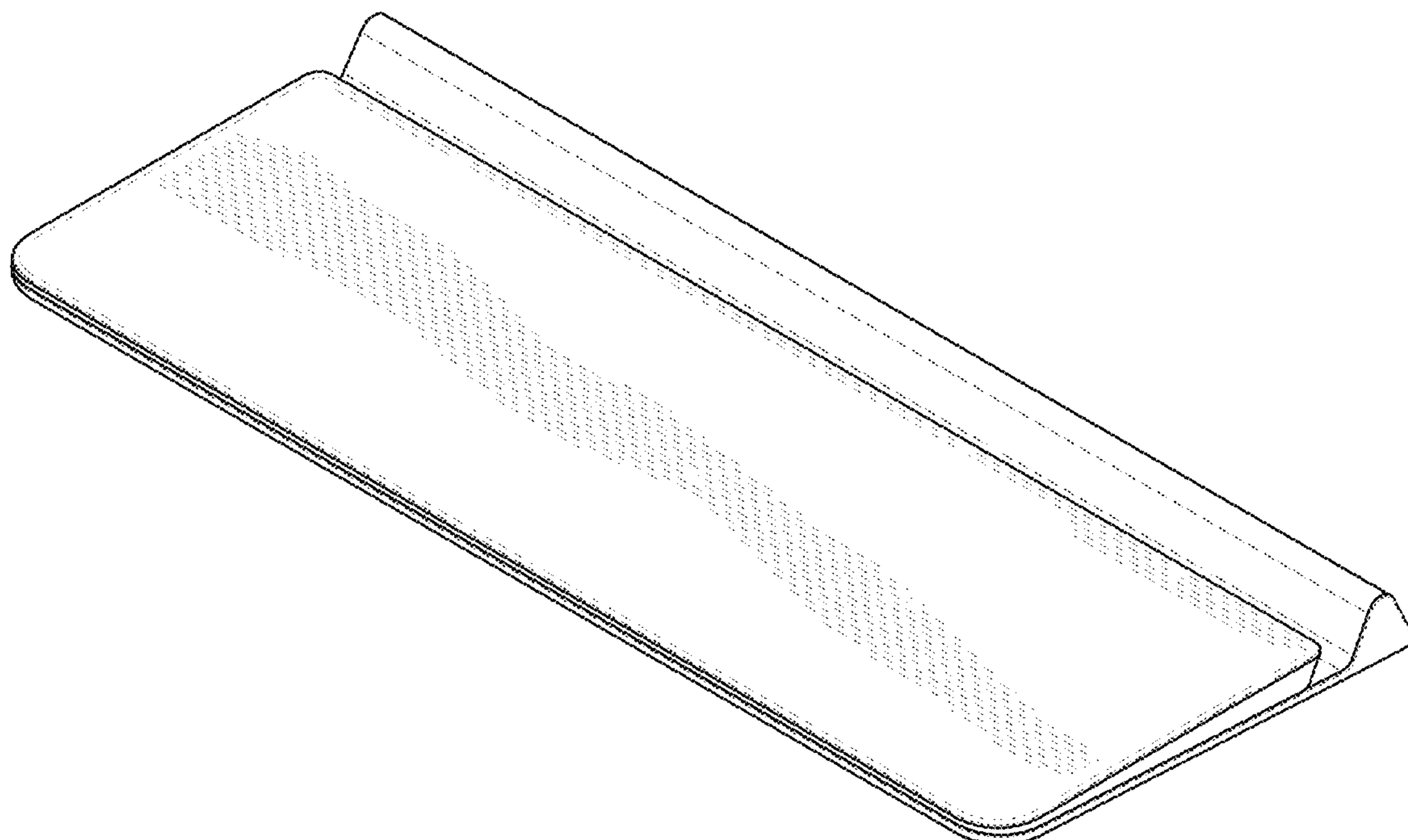
(57) **CLAIM**

The ornamental design for our keyboard, as shown and described.

**DESCRIPTION**

FIG. 1 is a perspective view of our keyboard with keys removed showing my new design; FIG. 2 is a top plan view thereof; FIG. 3 is a bottom plan view thereof; FIG. 4 is a front elevational view thereof; FIG. 5 is a rear elevational view thereof; FIG. 6 is a left side elevational view; and, FIG. 7 is a right side elevational view.

**1 Claim, 5 Drawing Sheets**



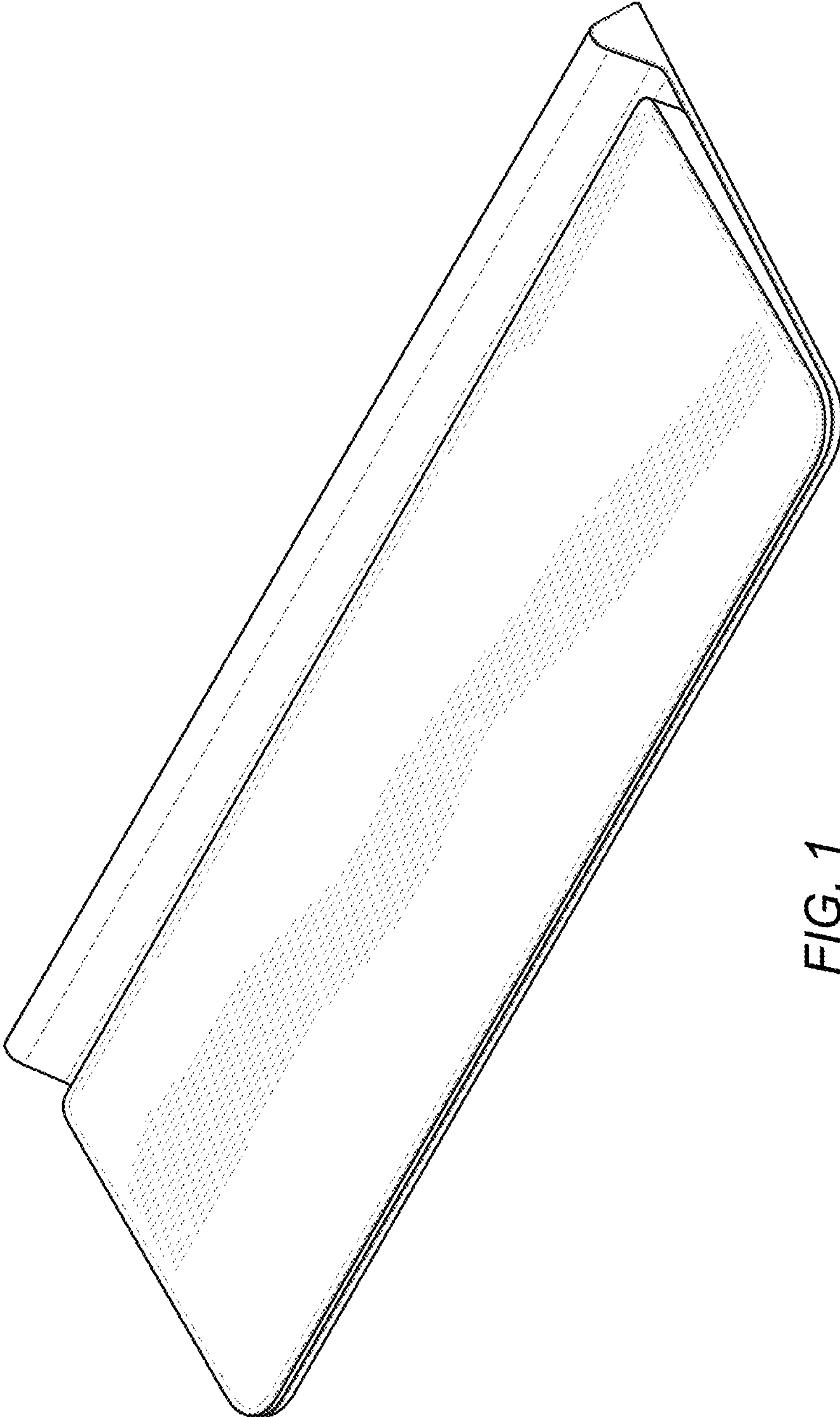


FIG. 1

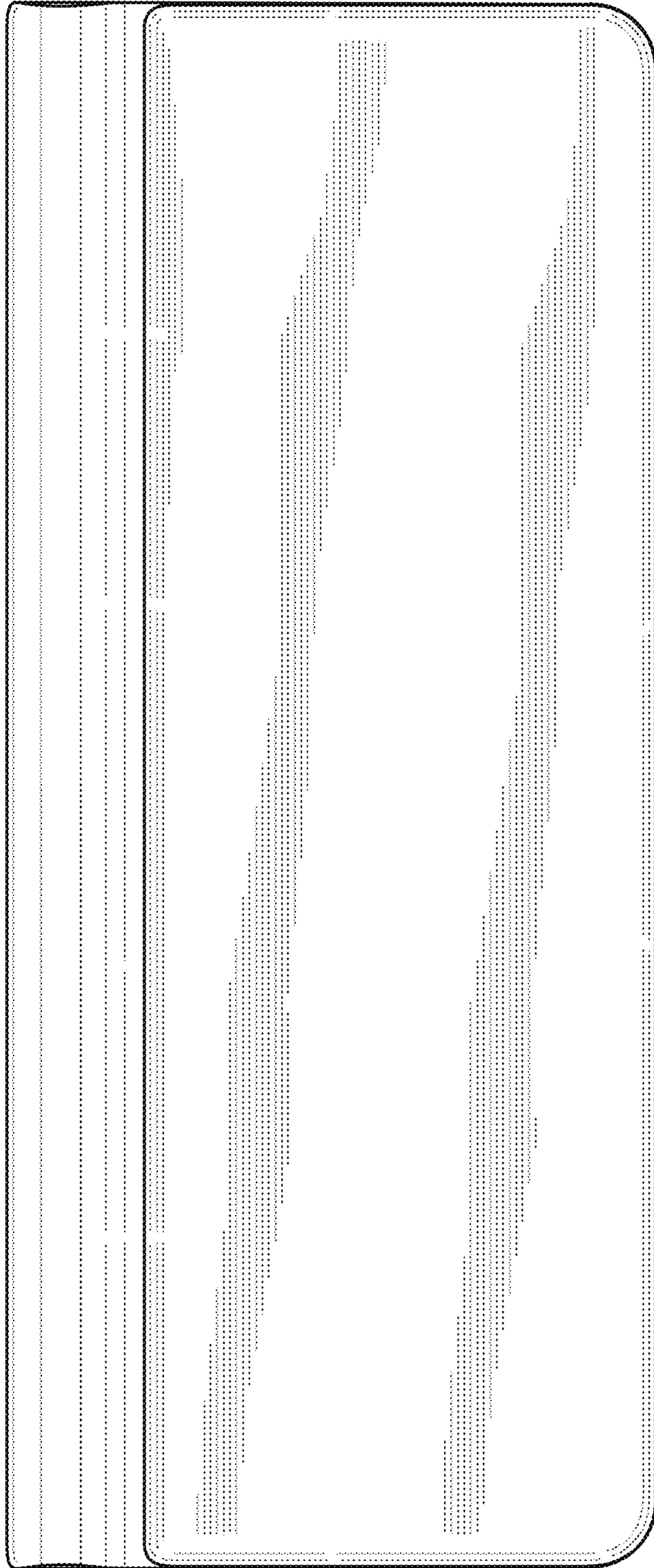


FIG. 2



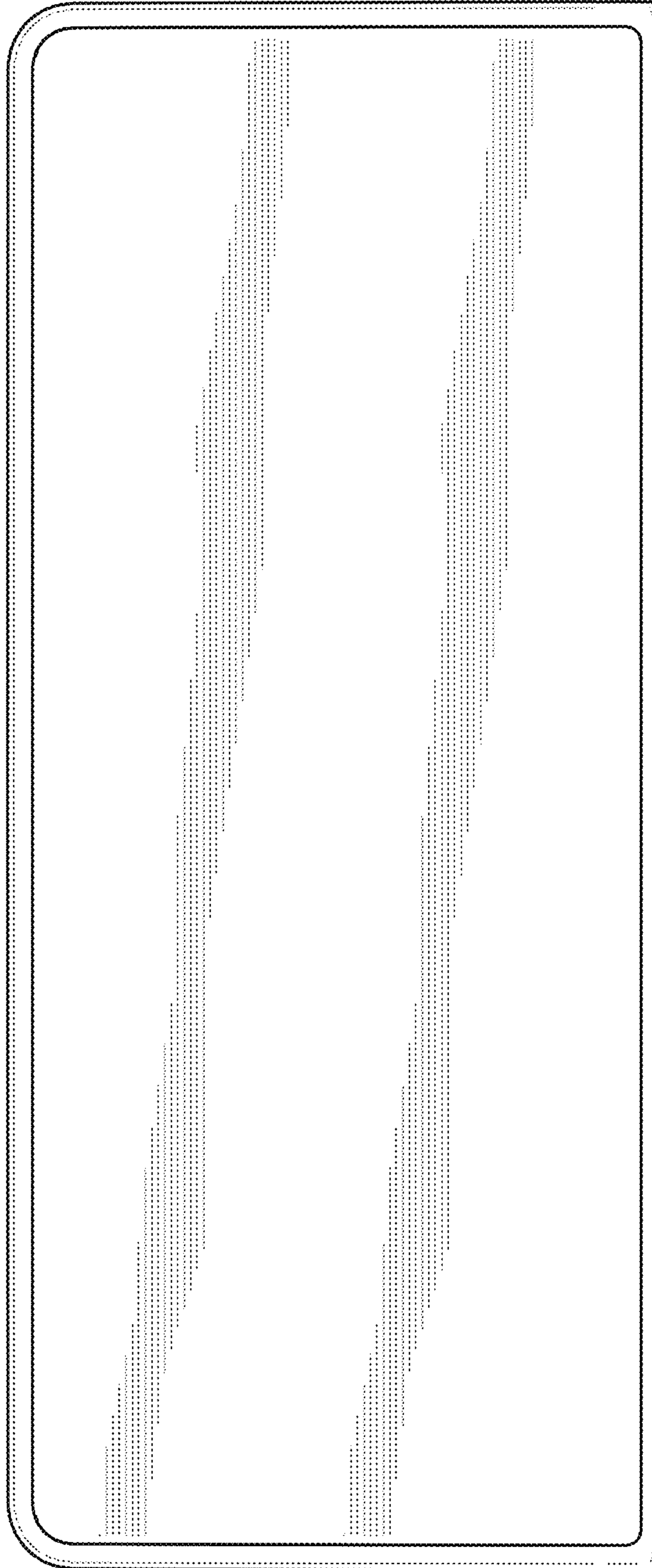


FIG. 3

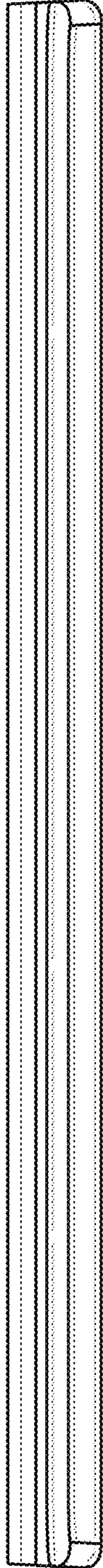


FIG. 4

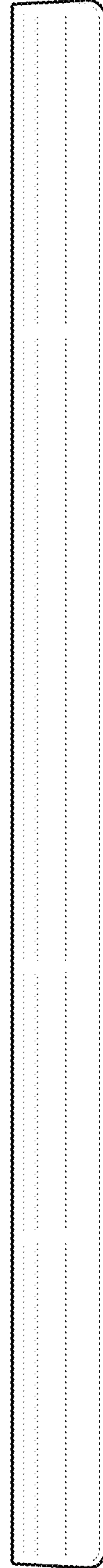


FIG. 5

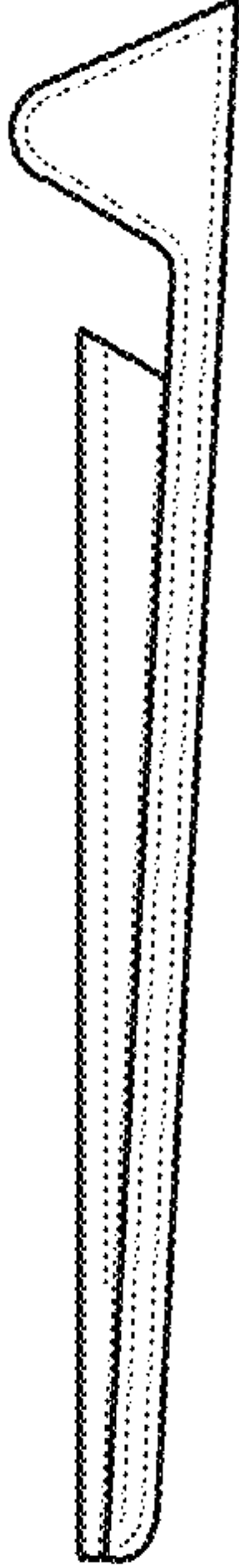


FIG. 7

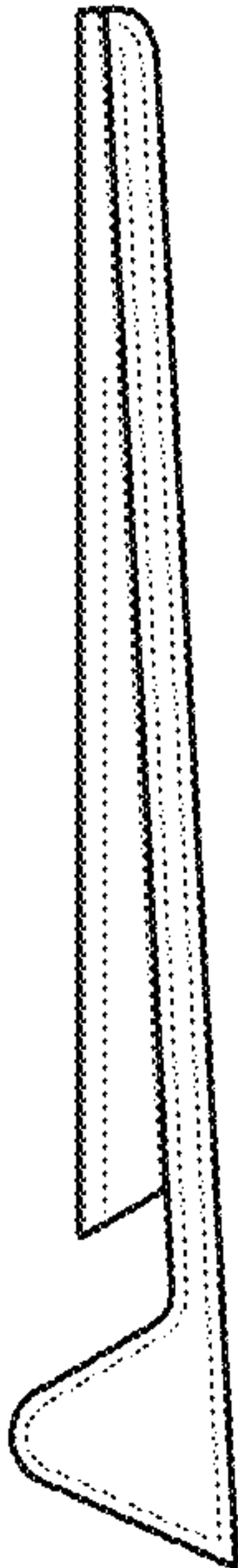


FIG. 6