



US00D833450S

(12) **United States Design Patent** (10) **Patent No.:** **US D833,450 S**
Oakley (45) **Date of Patent:** **** Nov. 13, 2018**

(54) **RETRACTABLE SUPPORT MECHANISM FOR AN ELECTRONIC DEVICE**

(71) Applicant: **Intel Corporation**, Santa Clara, CA (US)

(72) Inventor: **Nicholas Oakley**, Portland, OR (US)

(73) Assignee: **Intel Corporation**, Santa Clara, CA (US)

(**) Term: **14 Years**

(21) Appl. No.: **29/513,125**

(22) Filed: **Dec. 26, 2014**

(51) **LOC (11) Cl.** **14-02**

(52) **U.S. Cl.**

USPC **D14/451**

(58) **Field of Classification Search**

USPC D14/371-382, 125-129, 335-337, D14/447-452, 492, 239, 457, 439-441, D14/432, 251-253; D8/349, 354, 363, D8/373, 376, 380; 348/180, 184, 325, 348/739, 825; D12/407, 415; D3/218; 341/12

CPC G06F 3/0412; G06F 3/016; G06F 3/0488; G06F 3/011; G06F 3/038; G06F 3/03543; G06F 3/0338; G06F 3/0202; G06F 3/0219; G06F 3/0213; G06F 1/1616; G06F 3/023; G06F 3/04883; G02F 1/13338; G02F 1/1313; G02F 1/1333; G02F 1/135; G02F 1/132; G02F 1/133308; G02F 1/134309; G02F 1/13718; G09G 3/3648; G06K 15/1252; G03F 7/70291; F16M 13/02; F16M 13/00; F16M 11/10; F16M 11/04; F16M 2200/08; F16M 11/2021; H02G 3/126; A47G 1/17; A47K 2201/00; B41J 2/465; G02B 27/0172; G02B 5/30; G02B

(Continued)

(56) **References Cited**

U.S. PATENT DOCUMENTS

3,637,172 A * 1/1972 Diesbach A47B 19/002
248/460

D327,172 S * 6/1992 Pagano 248/460

(Continued)

OTHER PUBLICATIONS

USPTO Nonfinal Rejection in U.S. Appl. No. 14/497,884, dated Mar. 16, 2016, 9 pages.

(Continued)

Primary Examiner — Katie Jane Stofko

(74) *Attorney, Agent, or Firm* — Patent Capital Group

(57) **CLAIM**

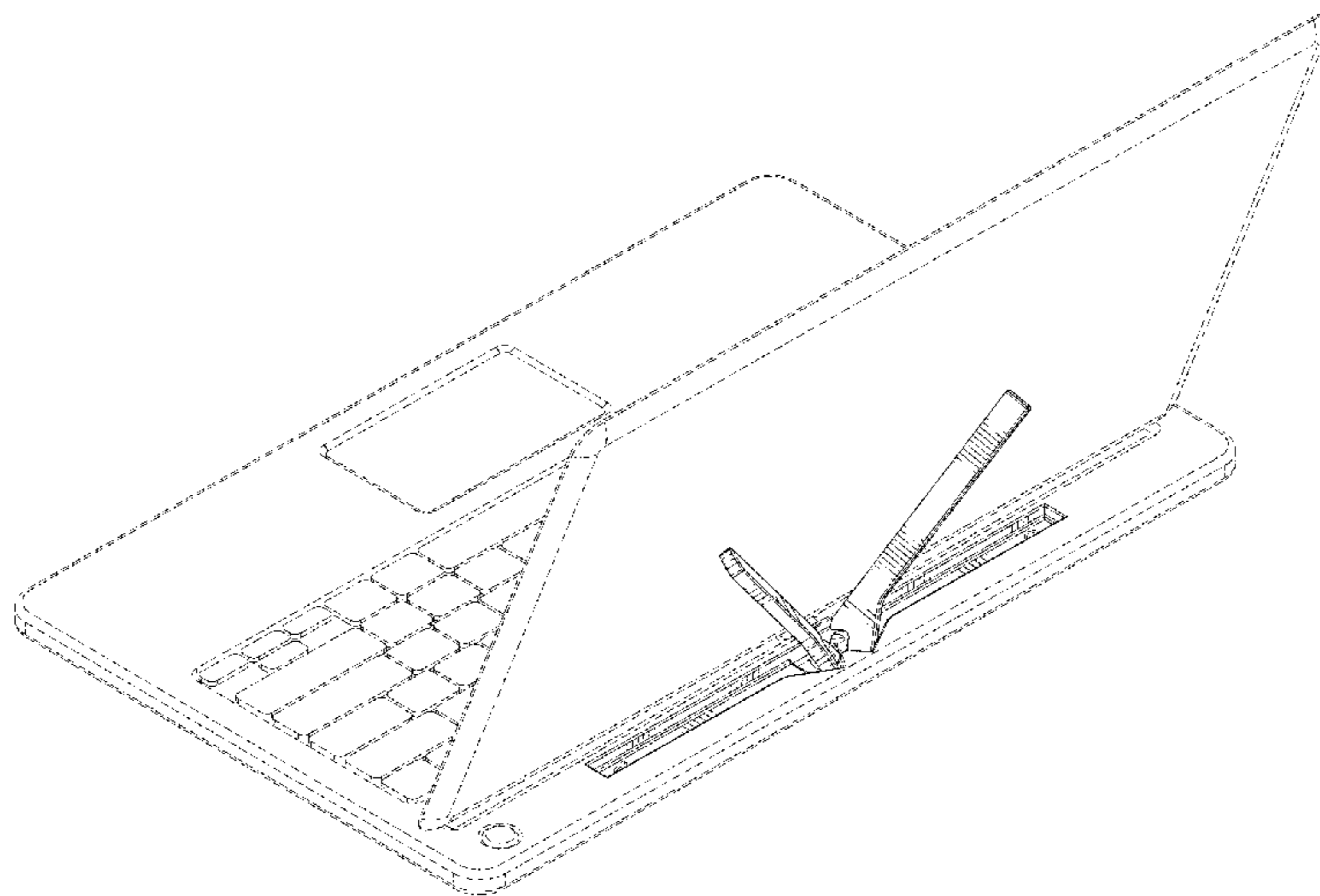
The ornamental design for a retractable support mechanism for an electronic device, as shown and described.

DESCRIPTION

FIG. 1 is a perspective view illustrating a retractable support mechanism for an electronic device; FIG. 2 is a back elevation view thereof; FIG. 3 is a front elevation view thereof; FIG. 4 is a left side elevation view thereof; FIG. 5 is a right side elevation view thereof; FIG. 6 is a top plan view thereof; FIG. 7 is a bottom plan view thereof; and, FIG. 8 is a perspective view thereof, shown in a retracted position.

The broken lines illustrating the monitor, keyboard, touchpad and laptop portion in FIG. 1 illustrate environment that forms no part of the claimed design, while the remaining broken lines in FIG. 1 illustrate portions of the retractable support mechanism for an electronic device that form no part of the claimed design. The broken lines shown in FIGS. 2-7 illustrate the environment of the claimed design and form no part thereof.

1 Claim, 8 Drawing Sheets



(58) **Field of Classification Search**
 CPC ... 2027/0118; G02B 27/0101; A47B 21/0314;
 A47B 88/044; A47B 2021/0335; F16B
 47/00; F16B 47/006
 See application file for complete search history.

(56) **References Cited**

U.S. PATENT DOCUMENTS

6,700,775	B1	3/2004	Chuang et al.
6,882,524	B2	4/2005	Ulla et al.
6,940,713	B2	9/2005	Huang et al.
6,986,492	B2	1/2006	Huang et al.
D529,912	S *	10/2006	Chen D14/375
7,391,606	B2 *	6/2008	Chen F16M 11/126 248/917
7,652,873	B2	1/2010	Lee
7,939,739	B1 *	5/2011	Sadegh B42D 9/088 84/486
8,089,760	B2	1/2012	Yi-Chang
8,096,517	B1 *	1/2012	Hamilton B60N 3/005 211/106.01
8,111,512	B2	2/2012	Yeh et al.
D677,264	S *	3/2013	Lu D14/451
D677,265	S *	3/2013	Lu D14/451

8,390,995	B2	3/2013	Wang et al.
8,717,319	B2	5/2014	Wu
8,964,381	B2	2/2015	Mai et al.
8,964,382	B2	2/2015	Ashcraft et al.
9,013,863	B2	4/2015	Hsu
D746,821	S *	1/2016	Oakley D14/432
9,261,910	B2	2/2016	Liang et al.
9,372,507	B2 *	6/2016	Dekock G06F 1/166
9,392,870	B2 *	7/2016	Suman A47B 23/043
9,535,458	B2 *	1/2017	Oakley G06F 1/1633
2003/0095380	A1	5/2003	Chen et al.
2008/0265109	A1 *	10/2008	Derry F16M 11/10 248/149
2013/0128453	A1	5/2013	Lin
2013/0134061	A1	5/2013	Wu et al.
2015/0062792	A1	3/2015	Lee et al.
2015/0092346	A1	4/2015	Ben et al.
2015/0277494	A1	10/2015	Oakley
2016/0091934	A1	3/2016	Oakley

OTHER PUBLICATIONS

USPTO Notice of Allowance in U.S. Appl. No. 14/497,884, dated Jul. 14, 2016, 8 pages.

* cited by examiner

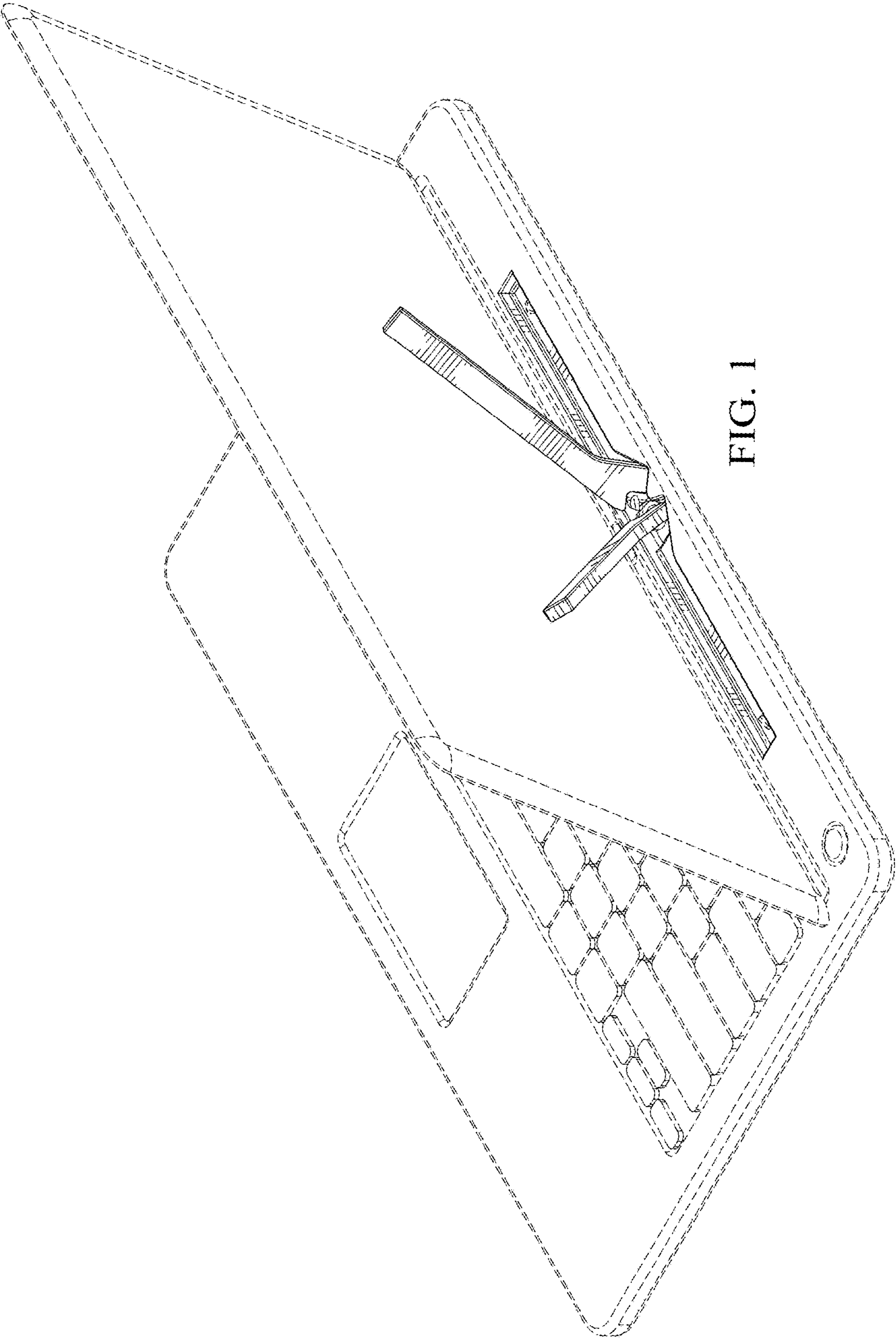


FIG. 1

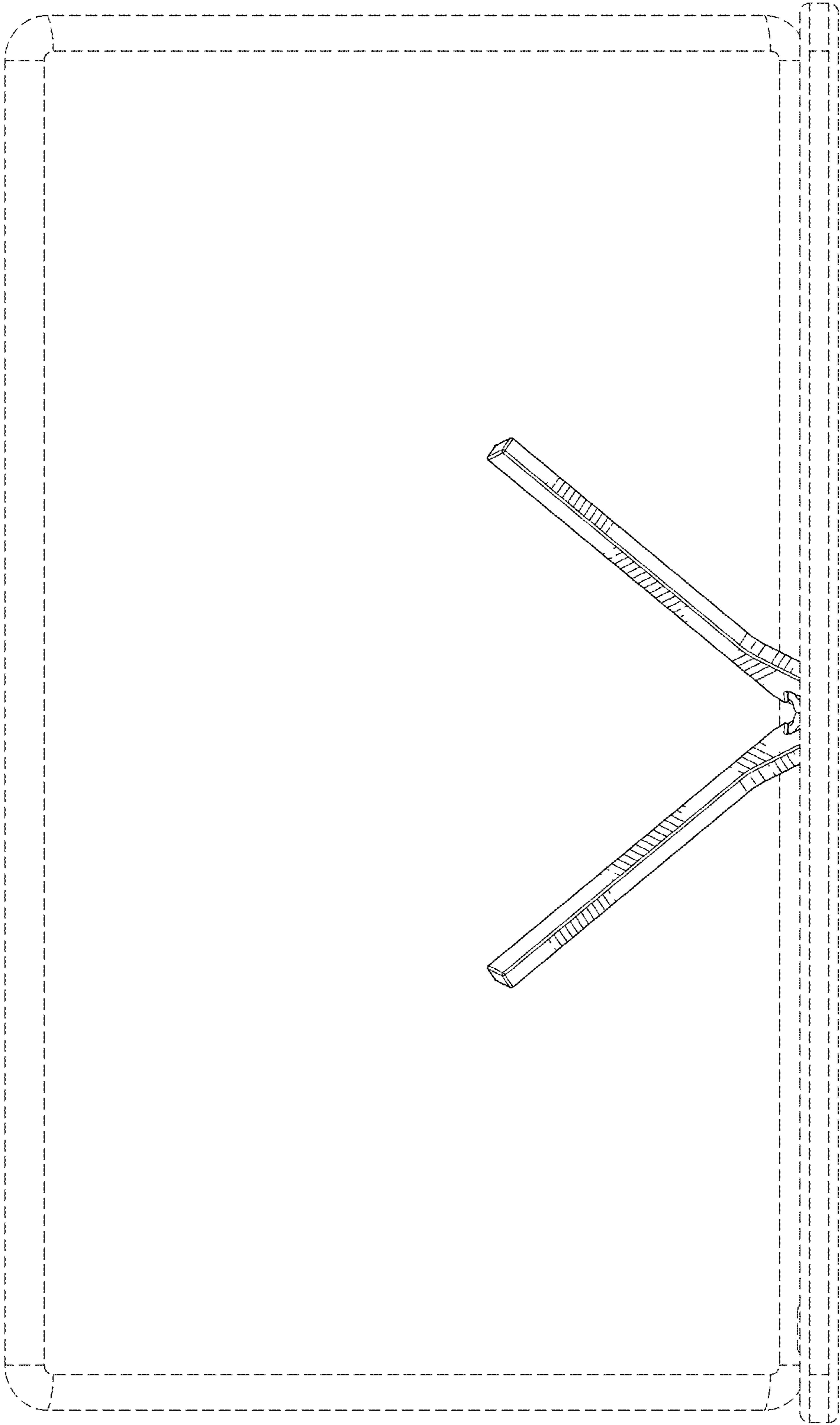


FIG. 2

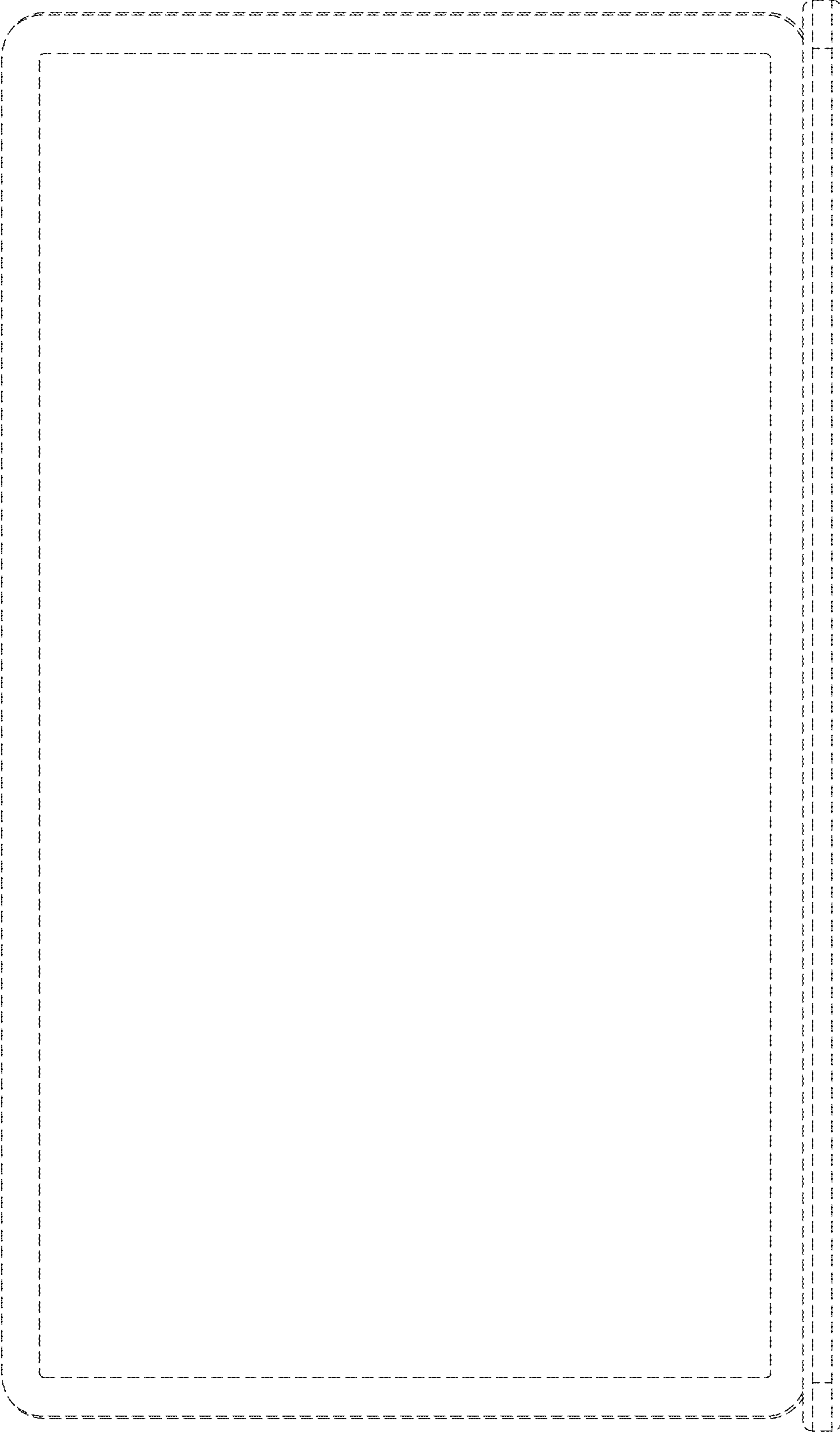


FIG. 3

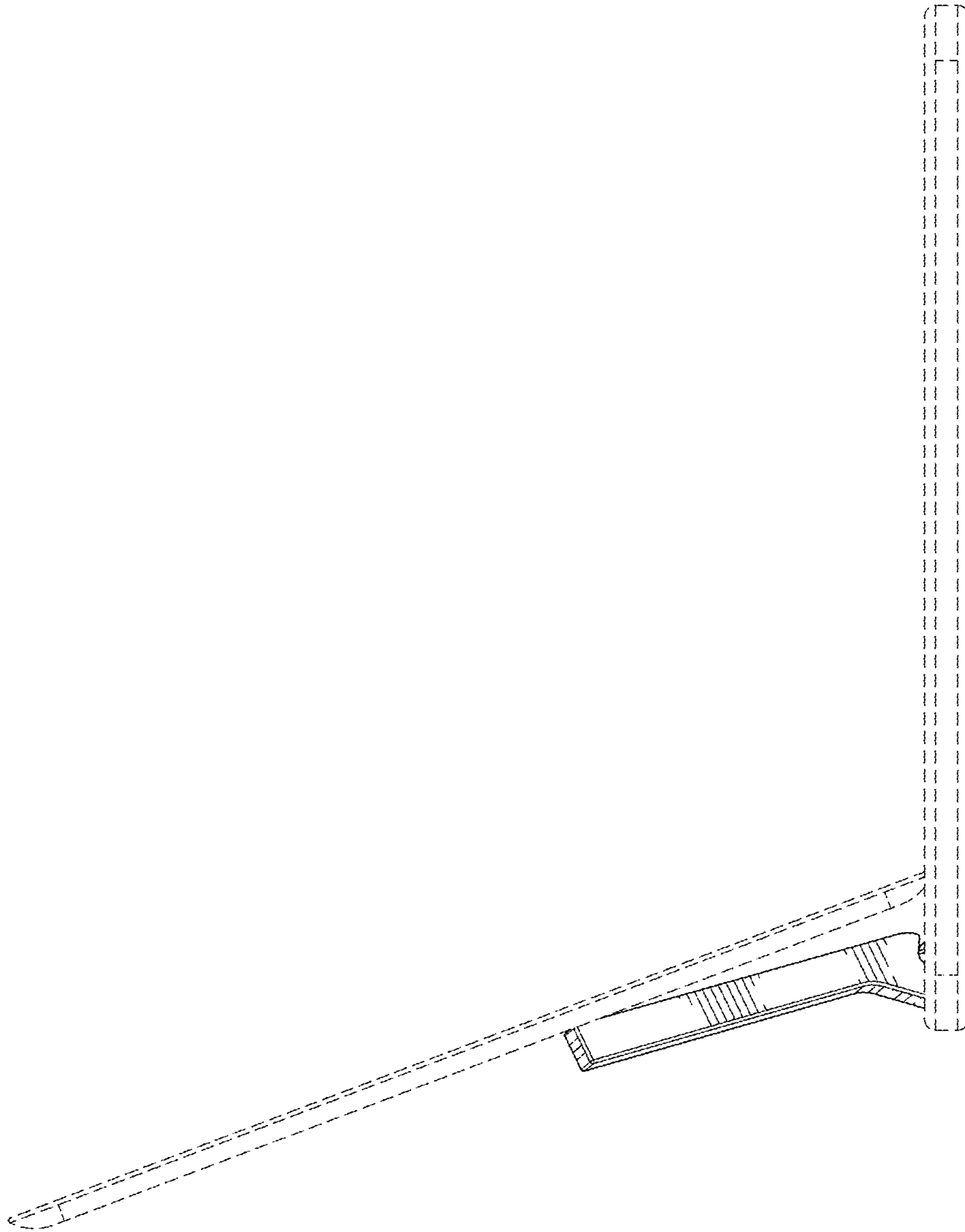


FIG. 4

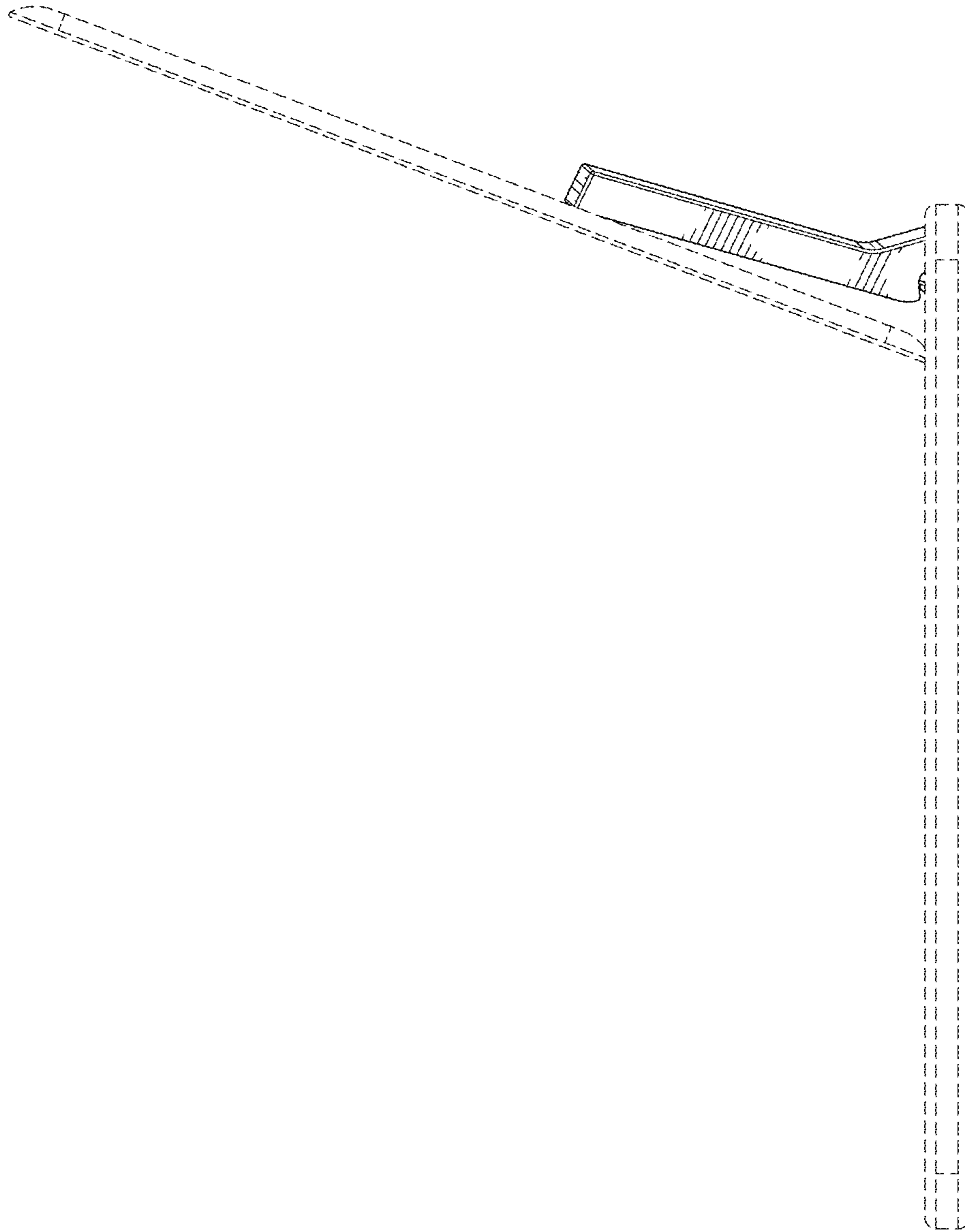


FIG. 5

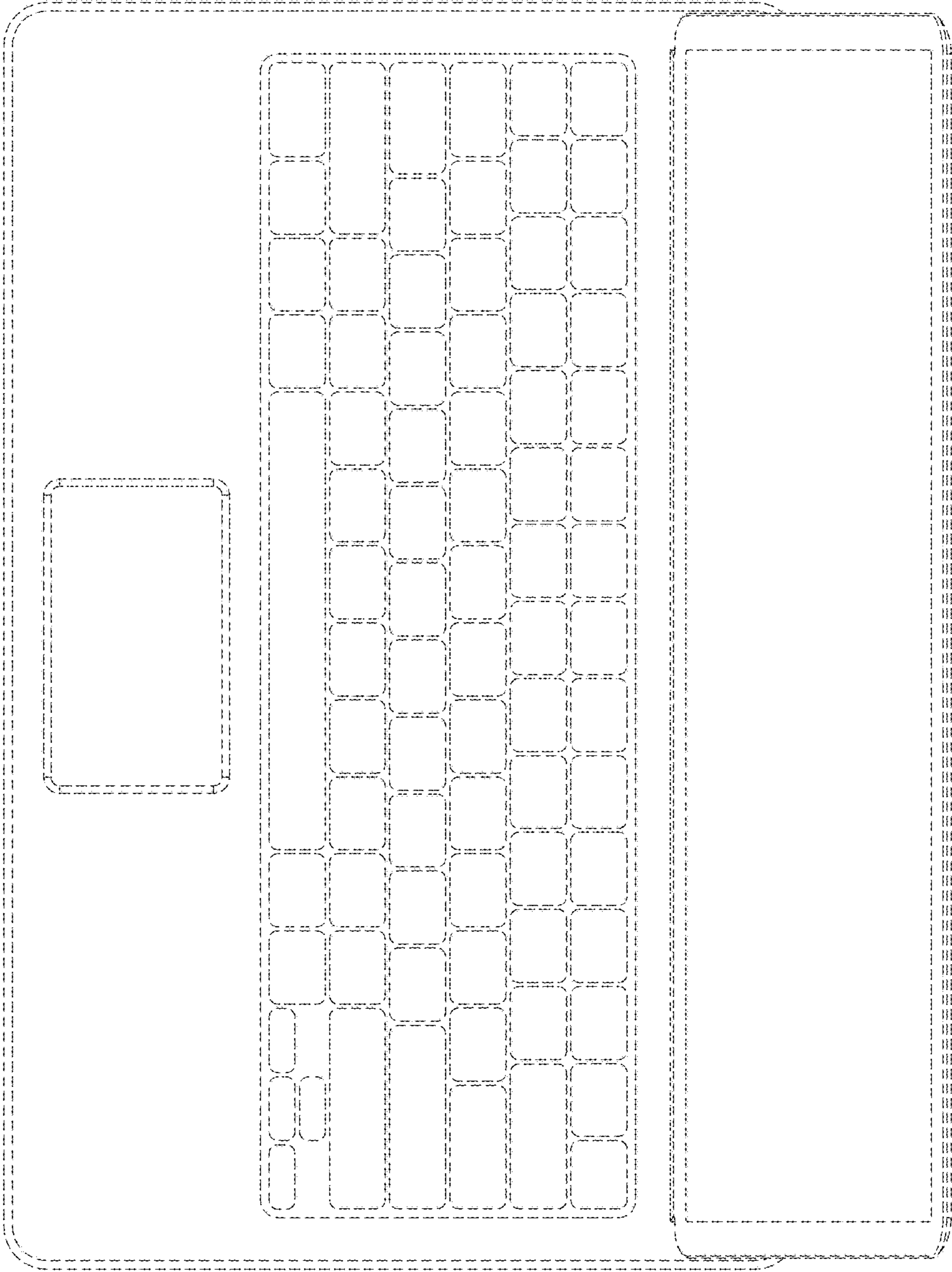


FIG. 6

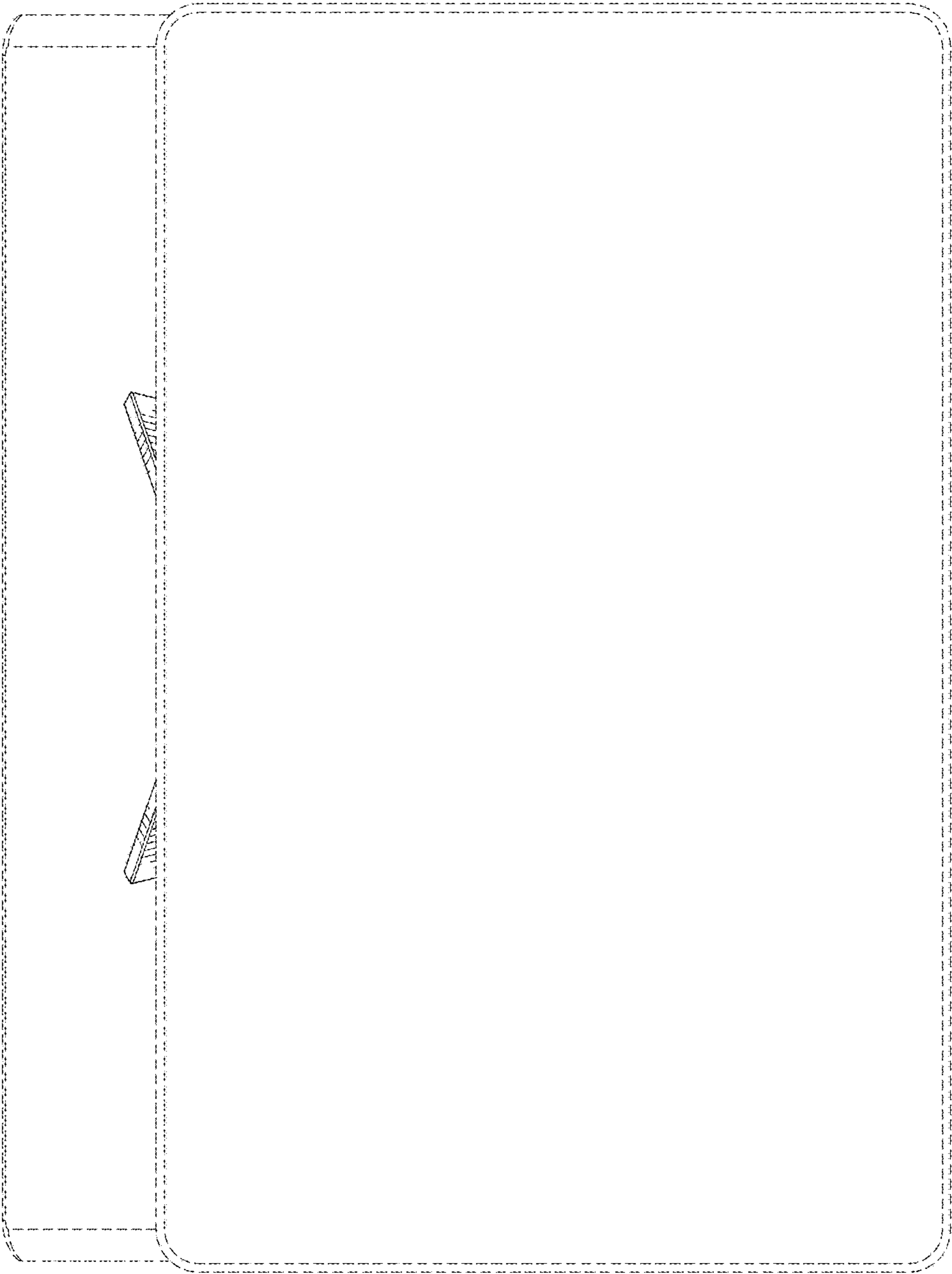


FIG. 7

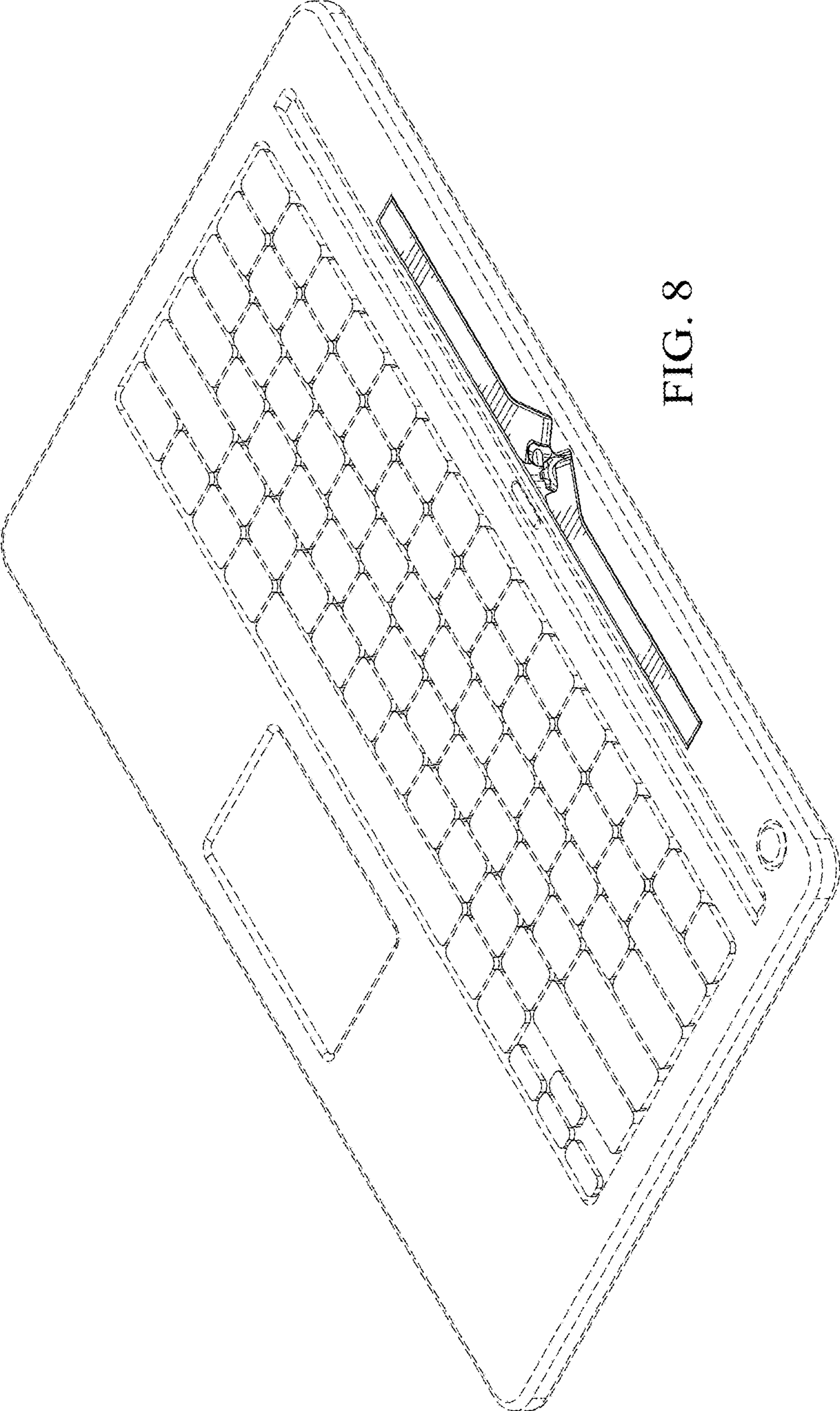


FIG. 8