



US00D833449S

(12) **United States Design Patent** (10) **Patent No.:** **US D833,449 S**  
**Khubani et al.** (45) **Date of Patent:** **\*\* Nov. 13, 2018**

(54) **MOBILE DEVICE MOUNT**  
(71) Applicant: **DaVinci II CSJ, LLC**, Fairfield, NJ (US)  
(72) Inventors: **Ajit Khubani**, Saddle River, NJ (US); **Damian Mucaro**, Hackensack, NJ (US); **Fiona Yu**, Kowloon (HK)

D781,297 S \* 3/2017 Liao ..... D14/447  
D789,374 S \* 6/2017 King ..... D14/413  
D790,435 S \* 6/2017 Du ..... D12/415  
D797,749 S \* 9/2017 Awad ..... D14/447  
9,765,921 B2 9/2017 Vogel et al.  
D799,468 S \* 10/2017 Chen ..... D14/253  
D809,449 S \* 2/2018 Zhang ..... D12/415  
D820,663 S \* 6/2018 Jang ..... D8/349

(Continued)

(73) Assignee: **Da Vinci II CSJ, LLC.**, Fairfield, NJ (US)

(\*\*) Term: **15 Years**

(21) Appl. No.: **29/657,881**

(22) Filed: **Jul. 26, 2018**

(51) **LOC (11) Cl.** ..... **08-07**

(52) **U.S. Cl.**  
USPC ..... **D14/447**

(58) **Field of Classification Search**  
USPC ..... D14/447, 432, 434, 439, 440, 451, 452, D14/457, 239; D8/363, 373, 380; D6/406.3, 406.4, 406.5, 406.6; D12/415  
See application file for complete search history.

(56) **References Cited**

**U.S. PATENT DOCUMENTS**

D611,729 S 3/2010 Lau  
D623,436 S 9/2010 Lau  
8,602,376 B2 12/2013 Vogel et al.  
D704,199 S 5/2014 Byun  
8,870,146 B2 10/2014 Vogel et al.  
D719,959 S 12/2014 Vogel  
D725,660 S \* 3/2015 Trotsky ..... D14/447  
D726,194 S \* 4/2015 Feng ..... D14/447  
D729,214 S \* 5/2015 Beaudoin ..... D14/230  
D734,746 S 7/2015 Vogel  
D741,093 S 10/2015 McKinney et al.  
D747,704 S 1/2016 Tsou  
D756,366 S \* 5/2016 Floersch ..... D14/447

**OTHER PUBLICATIONS**

Steele Dash Mount Kit Plus, available at <http://www.niteize.com/product/Steele-Dash-Mount-Kit-Plus.asp>.

(Continued)

*Primary Examiner* — Angela J Lee

(74) *Attorney, Agent, or Firm* — Cooper & Dunham LLP

(57) **CLAIM**

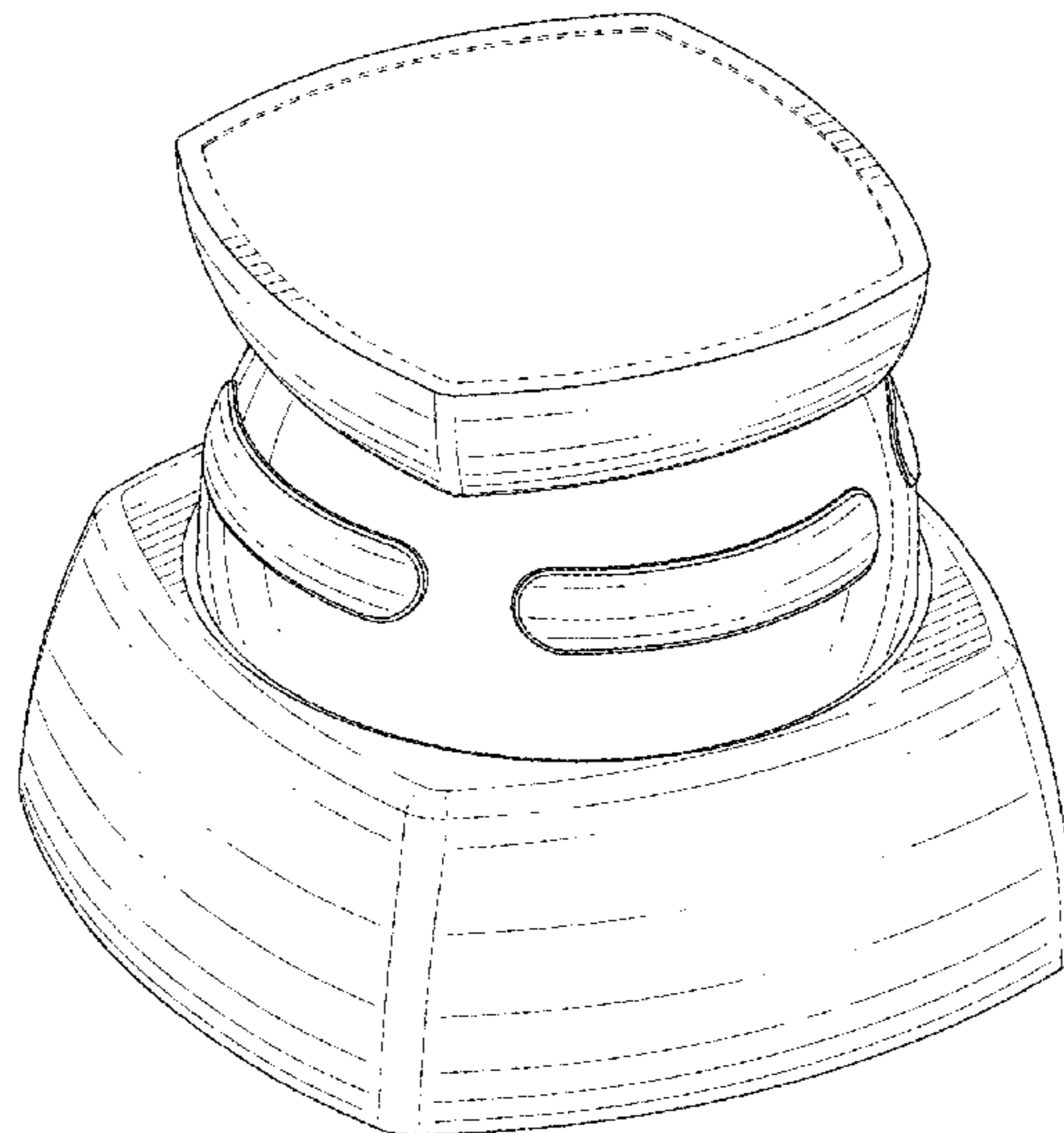
The ornamental design for a mobile device mount, as shown and described.

**DESCRIPTION**

FIG. 1 is a front perspective view of a mobile device mount in accordance with the present design;  
FIG. 2 is a front view thereof;  
FIG. 3 is a back view thereof;  
FIG. 4 is a left side view thereof;  
FIG. 5 is a right side view thereof;  
FIG. 6 is a top view thereof;  
FIG. 7 is a bottom view thereof;  
FIG. 8 is a front perspective view thereof, but shown in an alternate position; and,  
FIG. 9 is a front view thereof.

The broken lines represent unclaimed portions of the claimed design and are included for illustrative purposes only and form no part of the claimed design. The shading represents contour of the claimed design.

**1 Claim, 9 Drawing Sheets**



(56)

**References Cited**

U.S. PATENT DOCUMENTS

2017/0067595 A1\* 3/2017 Yun ..... B60R 11/0241  
2018/0136695 A1\* 5/2018 Lo ..... G06F 1/1632

OTHER PUBLICATIONS

NOPNOG Magnetic Car Mobile Phone Mount Holder, available at <https://www.amazon.co.uk/NOPNOG-Magnetic-Universal-Dashboard-Rotation/dp/B01NBJ8VNN>.

360 Rotating Sticky Mobile Phone Car Magnetic Mount Holder, available at [http://www.dealfon.com/showproduct\\_360-Rotating-Sticky-Mobile-Phone-Car-Magnetic-Mount-Holder.html](http://www.dealfon.com/showproduct_360-Rotating-Sticky-Mobile-Phone-Car-Magnetic-Mount-Holder.html).

Universal Car Mount Sticky Magnetic GPS Stand 360 Degree Rotating Holder, available at [https://www.gearbest.com/mount-holder/pp\\_197605.html](https://www.gearbest.com/mount-holder/pp_197605.html).

Universal 360 Rotating Car Sticky Magnetic Stand Holder for CellPhone GPS Mobile, available <https://www.ebay.com/itm/Universal-360-Rotating-Car-Sticky-Magnetic-Stand-Holder-Fo>.

\* cited by examiner

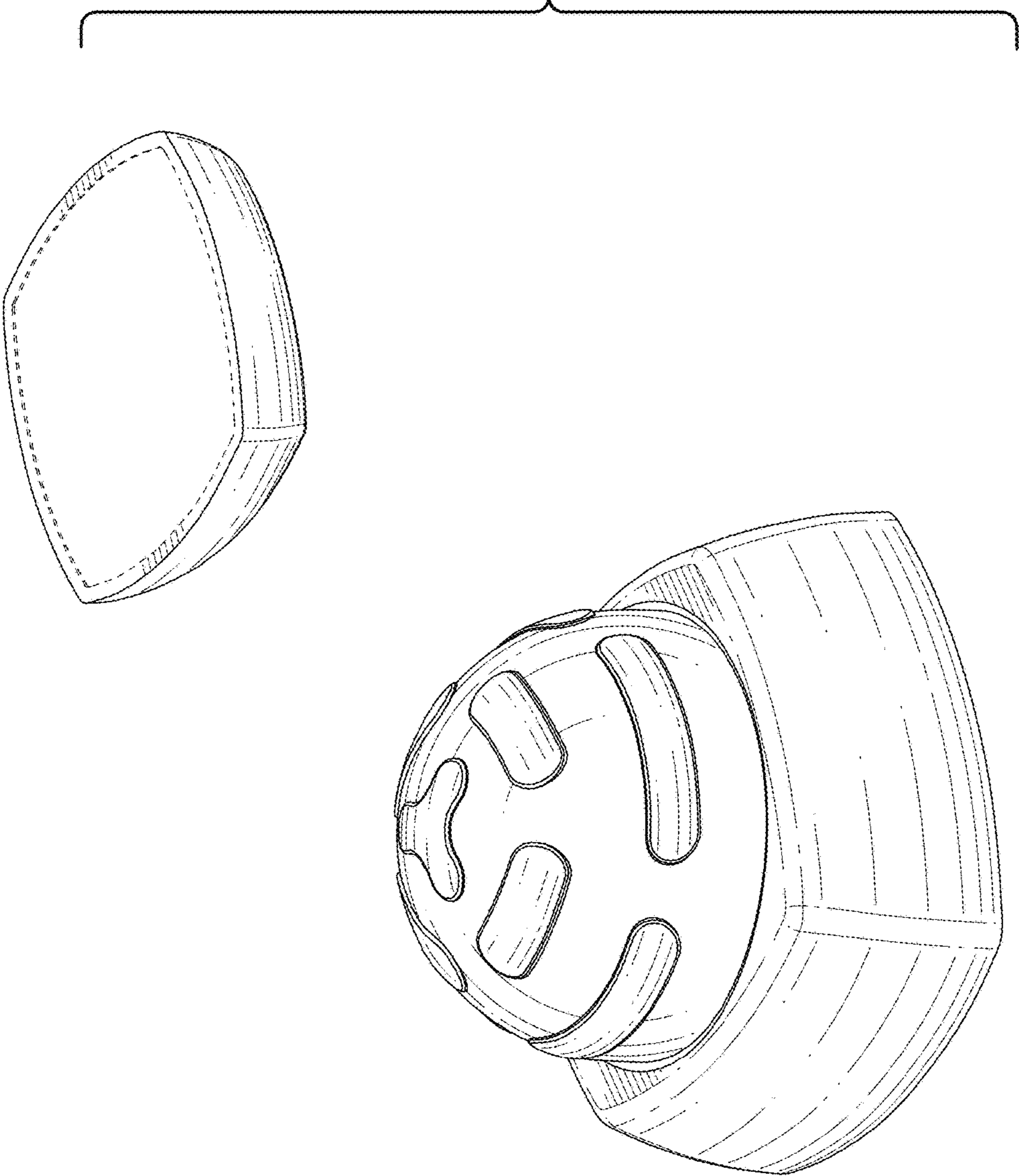


FIG.1

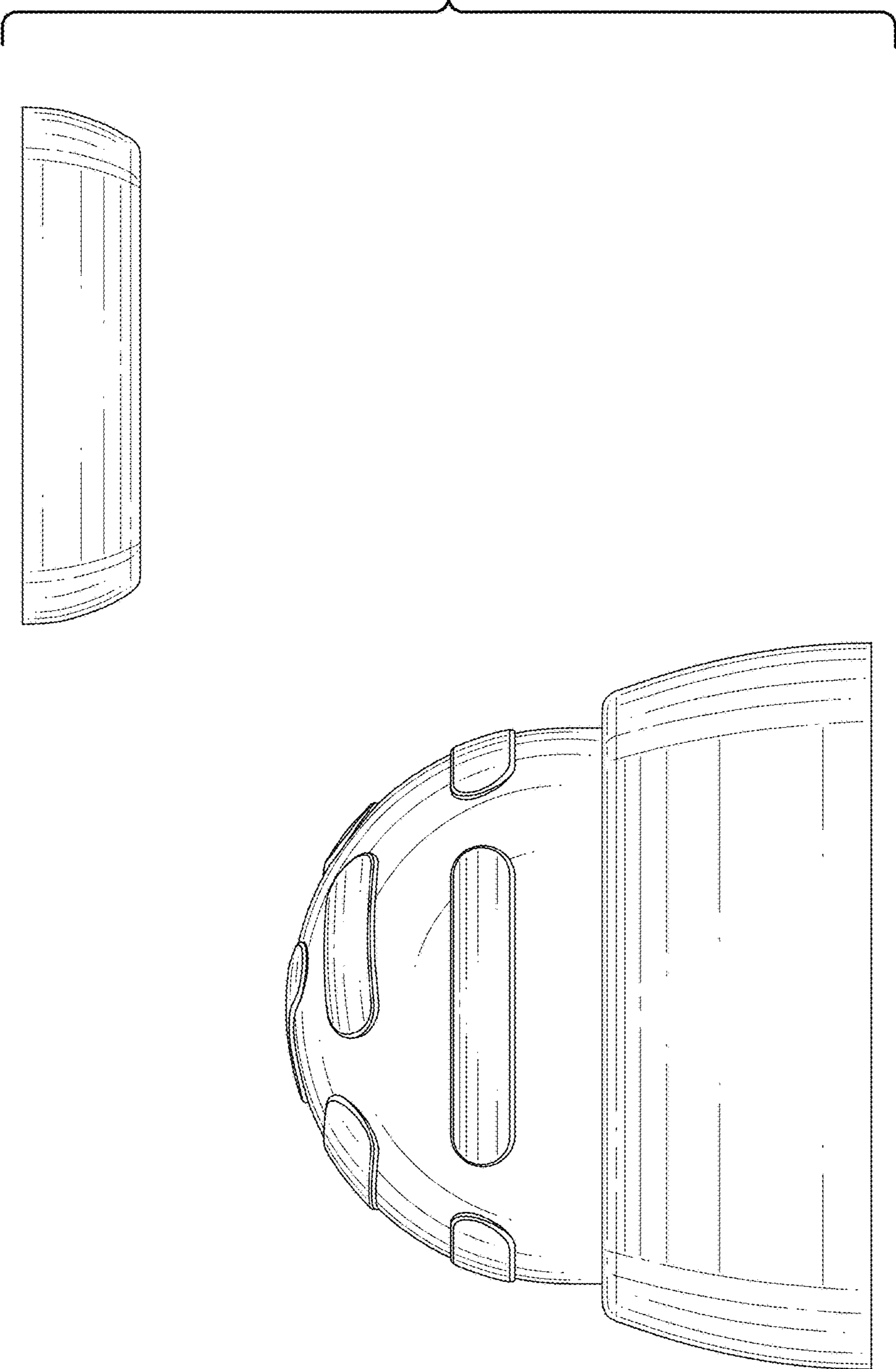


FIG.2

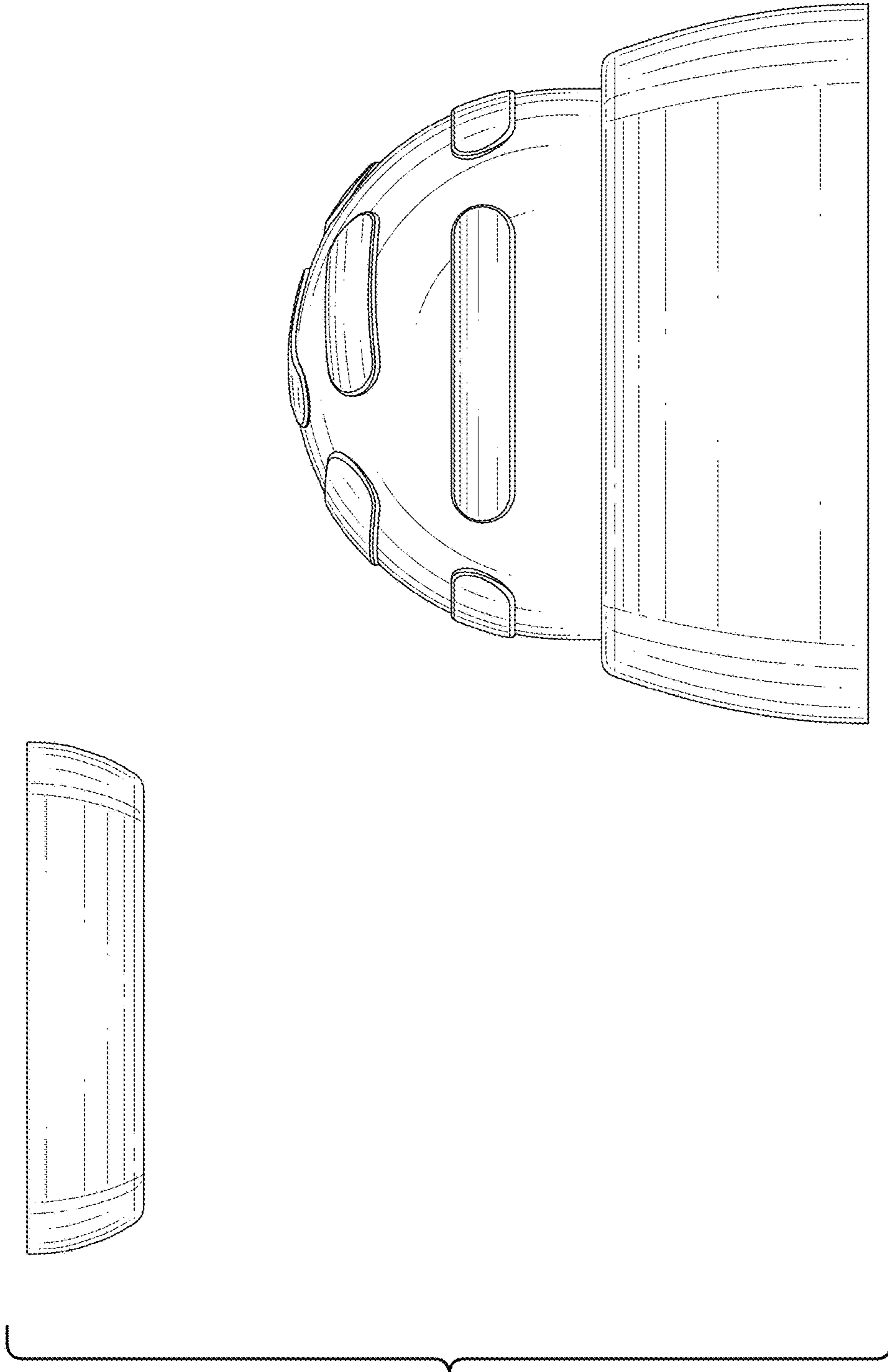


FIG. 3

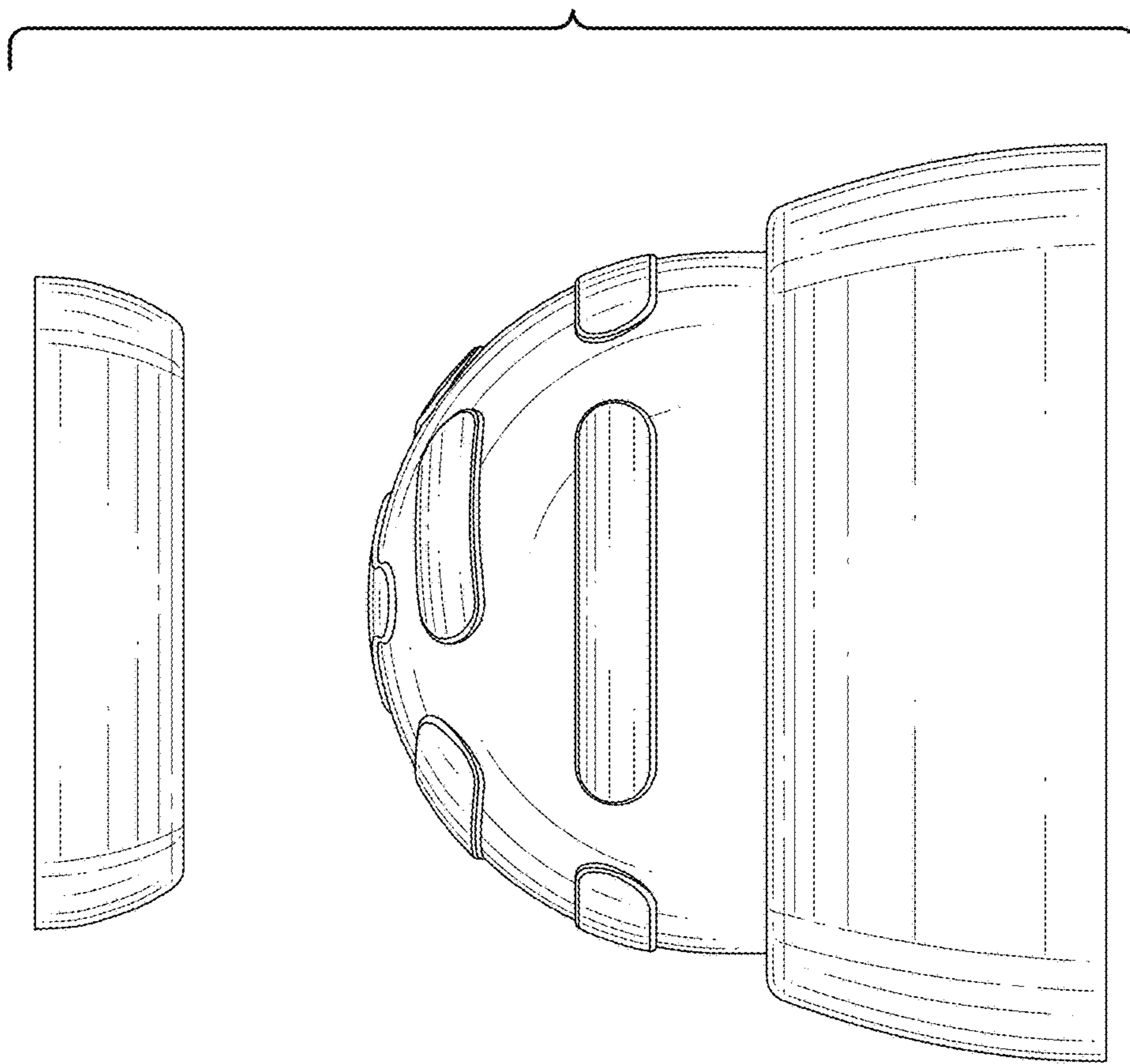


FIG.4

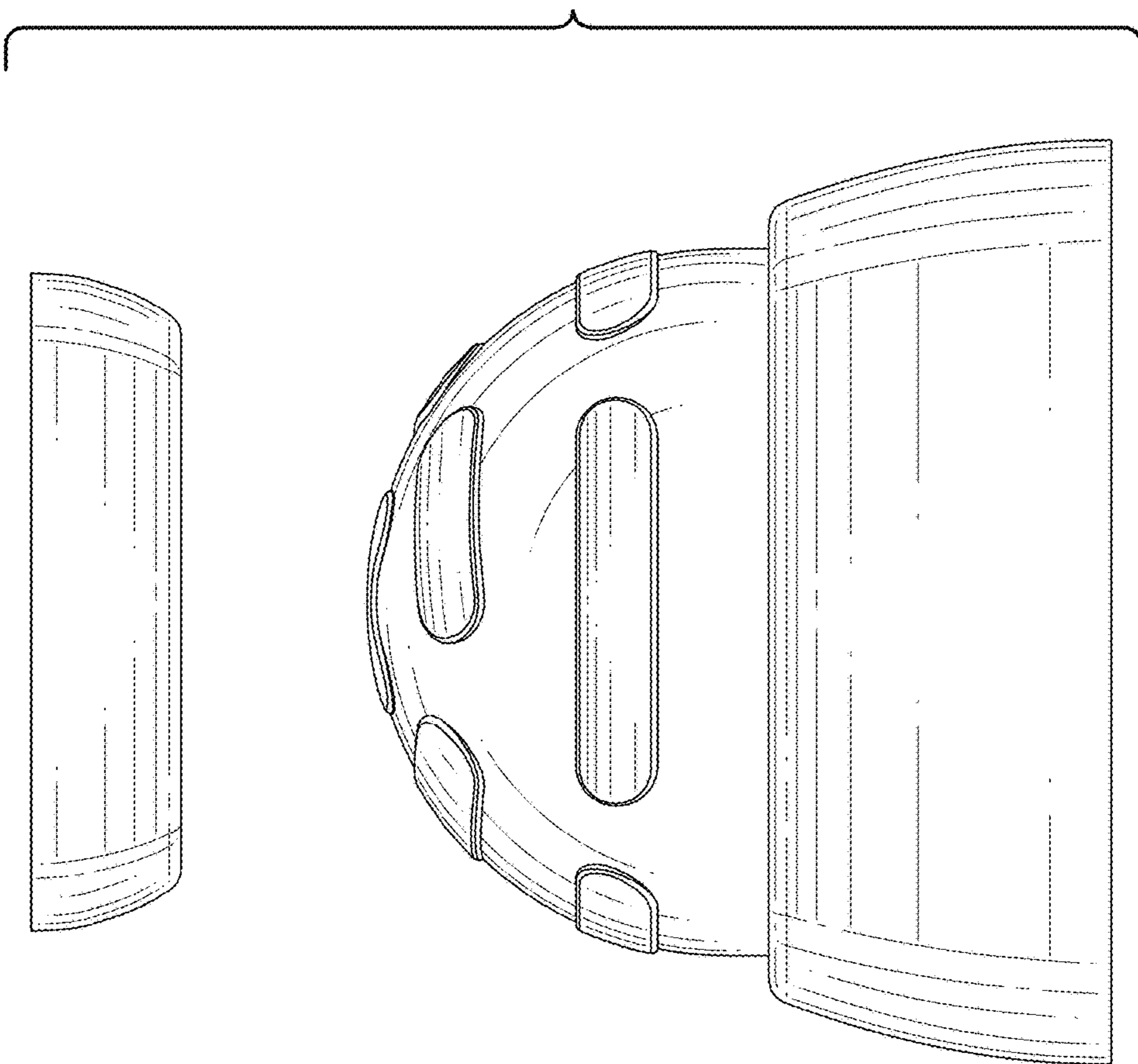


FIG. 5

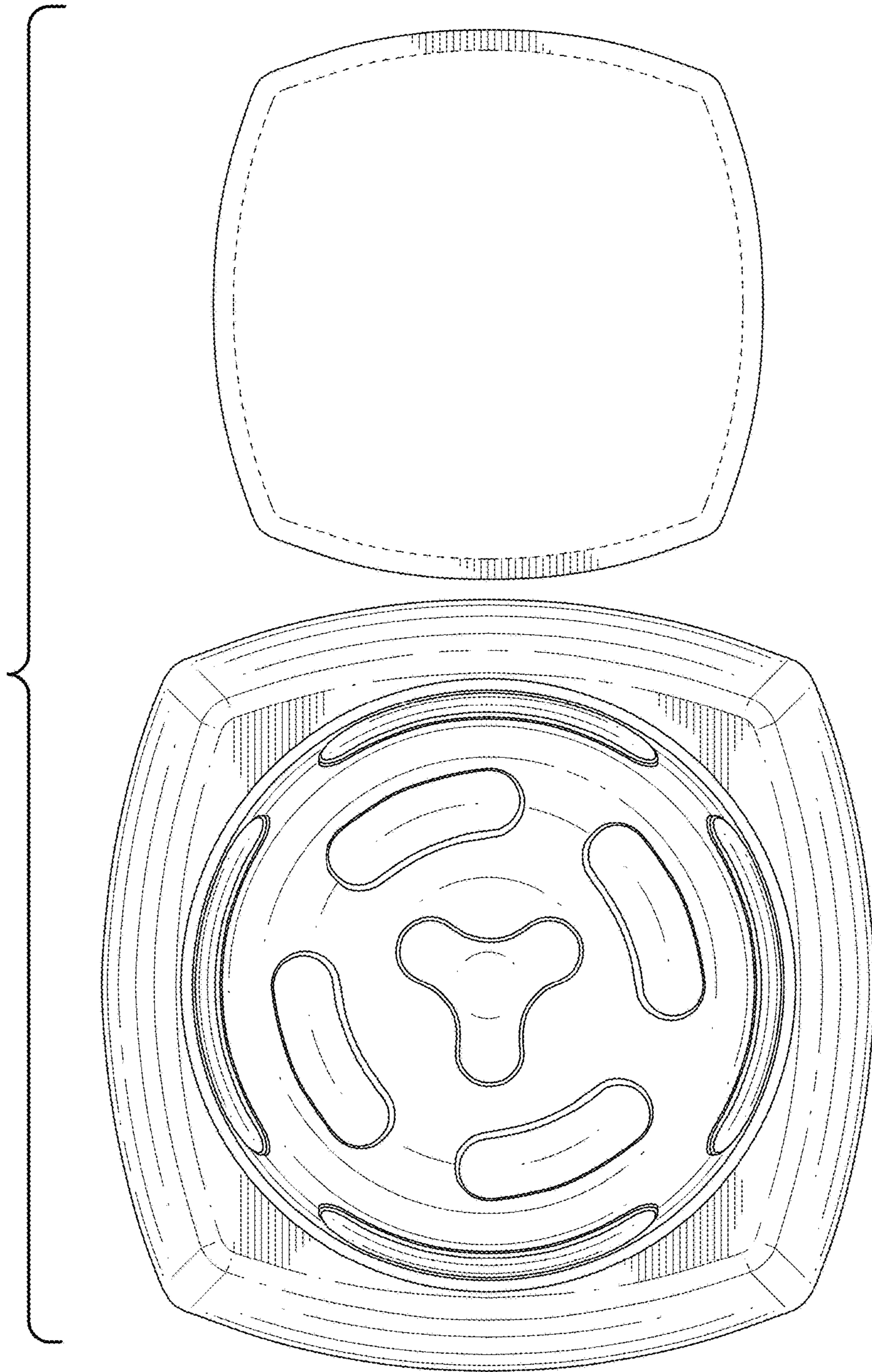


FIG. 6



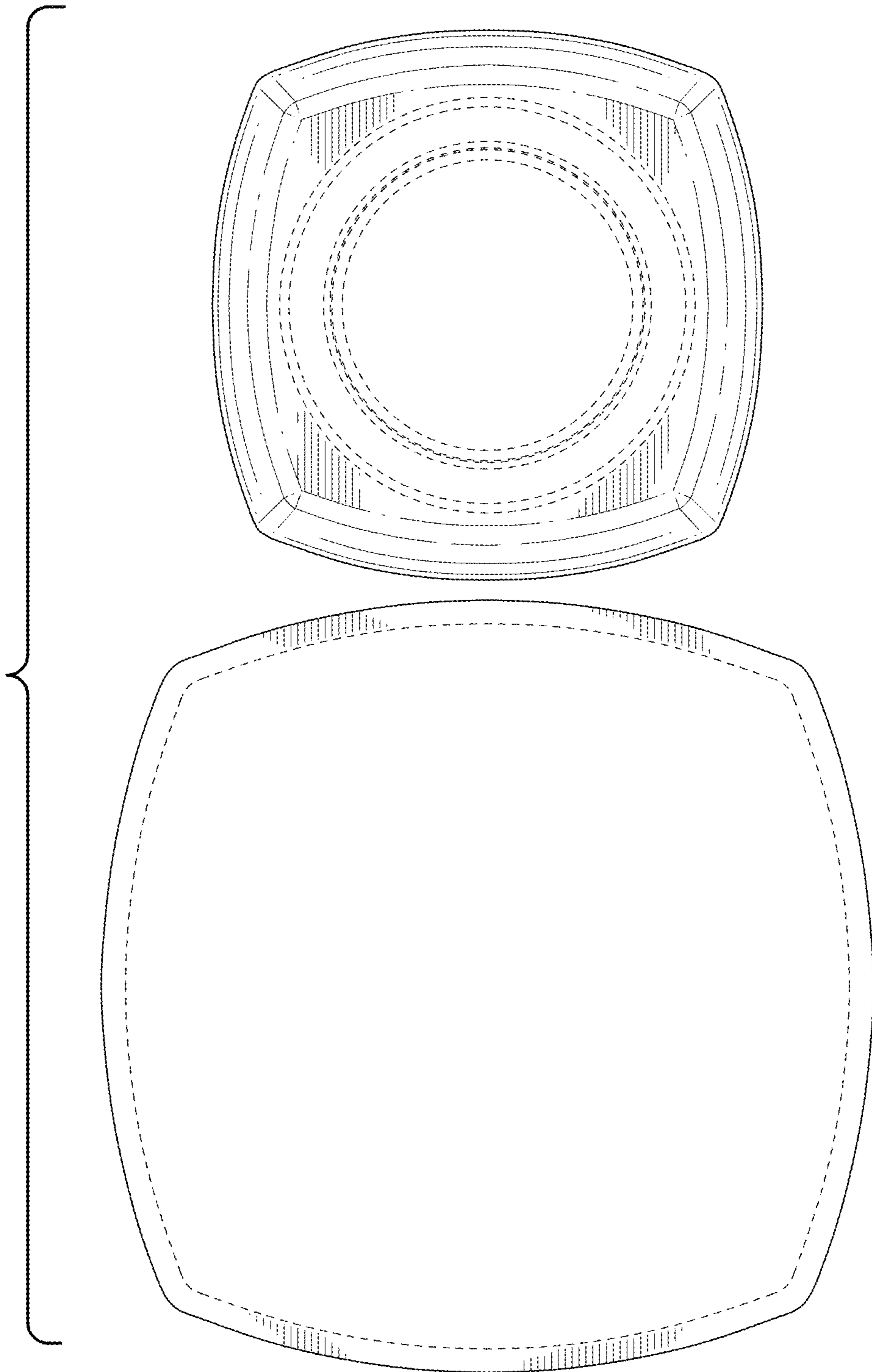


FIG.7

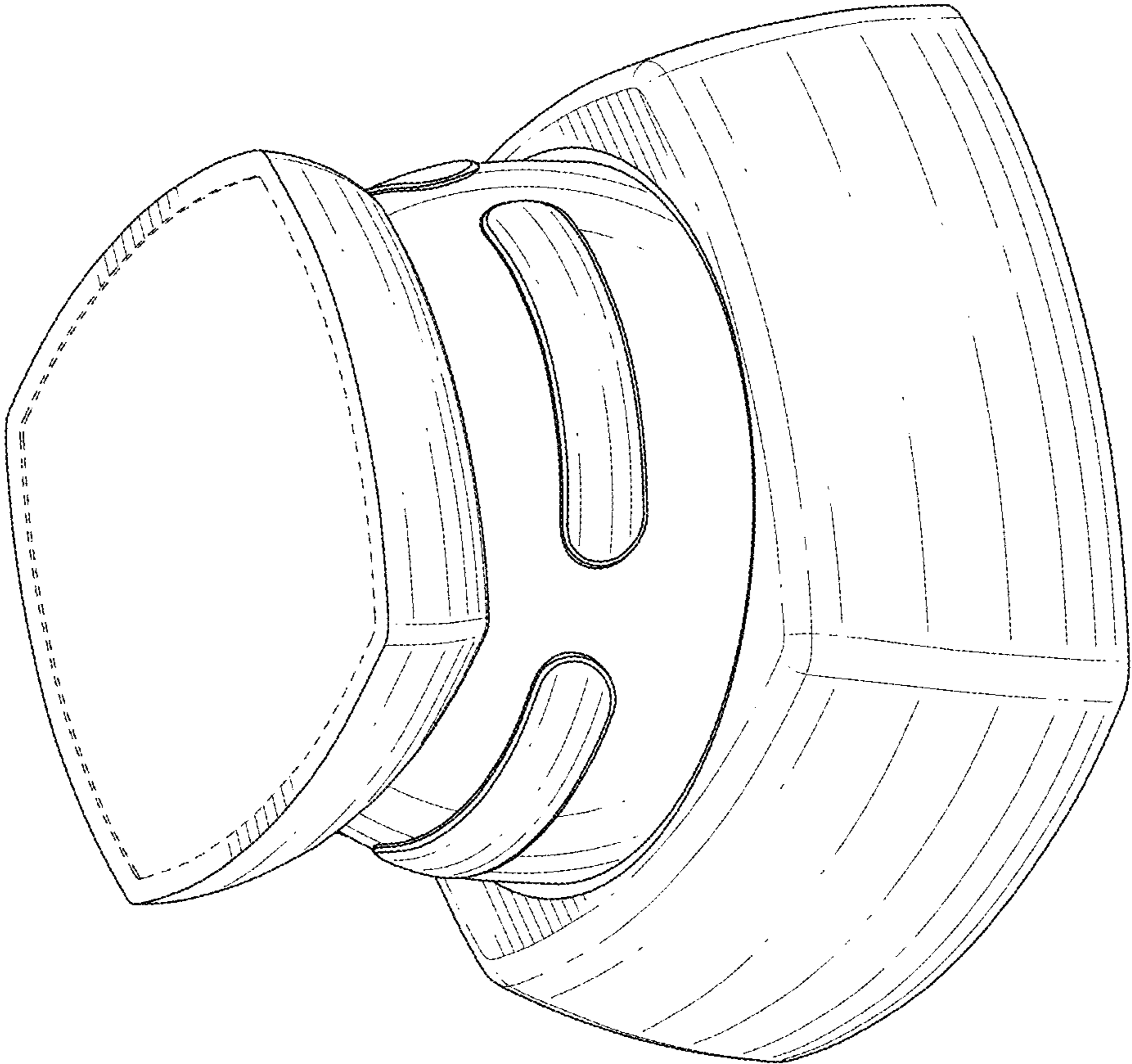


FIG. 8

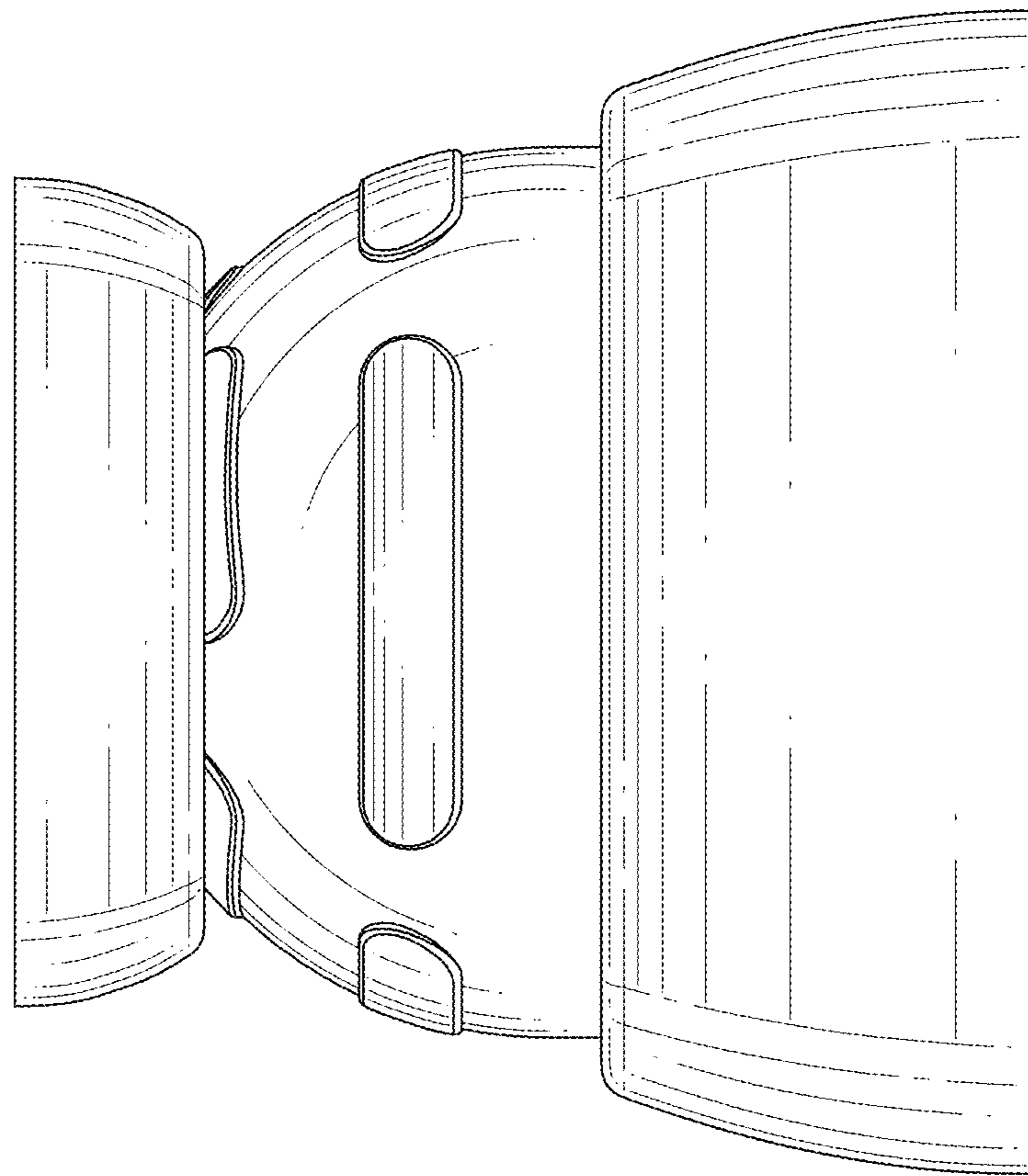


FIG. 9