



US00D833448S

(12) **United States Design Patent** (10) **Patent No.:** **US D833,448 S**
Kilkenny (45) **Date of Patent:** **** Nov. 13, 2018**

(54) **TABLET STAND**

(71) Applicant: **Mohawk USA LLC**, New Milford, CT
(US)

(72) Inventor: **Kevin Kilkenny**, Williamsburg, VA
(US)

(73) Assignee: **Mohawk USA LLC**, New Milford, CT
(US)

(**) Term: **15 Years**

(21) Appl. No.: **29/627,344**

(22) Filed: **Nov. 27, 2017**

(51) **LOC (11) Cl.** **08-07**

(52) **U.S. Cl.**
USPC **D14/447**

(58) **Field of Classification Search**
USPC D14/447, 432, 434, 439, 440, 451, 452,
D14/457, 239; D8/363, 373, 380;
D6/406.3, 406.4, 406.5, 406.6; D12/415;
D13/108, 144

See application file for complete search history.

(56) **References Cited**

U.S. PATENT DOCUMENTS

D558,774 S	*	1/2008	Najima	D14/447
D626,964 S	*	11/2010	Richardson	D14/447
D651,213 S	*	12/2011	Magness	D14/447
D661,310 S	*	6/2012	Belongia	D14/447
D692,010 S	*	10/2013	Verghese	D14/447

(Continued)

Primary Examiner — Angela J Lee

(74) *Attorney, Agent, or Firm* — Maskell Law PLLC;
Benjamin E. Maskell

(57) **CLAIM**

The ornamental design for a tablet stand, as shown and described.

DESCRIPTION

FIG. 1 is a top isometric view of a front portion of a tablet stand, wherein the portions of the drawings shown in broken lines, are for illustrative purposes only and forms no part of the claimed design;

FIG. 2 is a top isometric view of a rear portion of a tablet stand, wherein the portions of the drawings shown in broken lines, are for illustrative purposes only and forms no part of the claimed design;

FIG. 3 is a right side view of a tablet stand, wherein the portions of the drawings shown in broken lines, are for illustrative purposes only and forms no part of the claimed design;

FIG. 4 is a left side view of a tablet stand, wherein the portions of the drawings shown in broken lines, are for illustrative purposes only and forms no part of the claimed design;

FIG. 5 is a top side view of a tablet stand, wherein the portions of the drawings shown in broken lines, are for illustrative purposes only and forms no part of the claimed design;

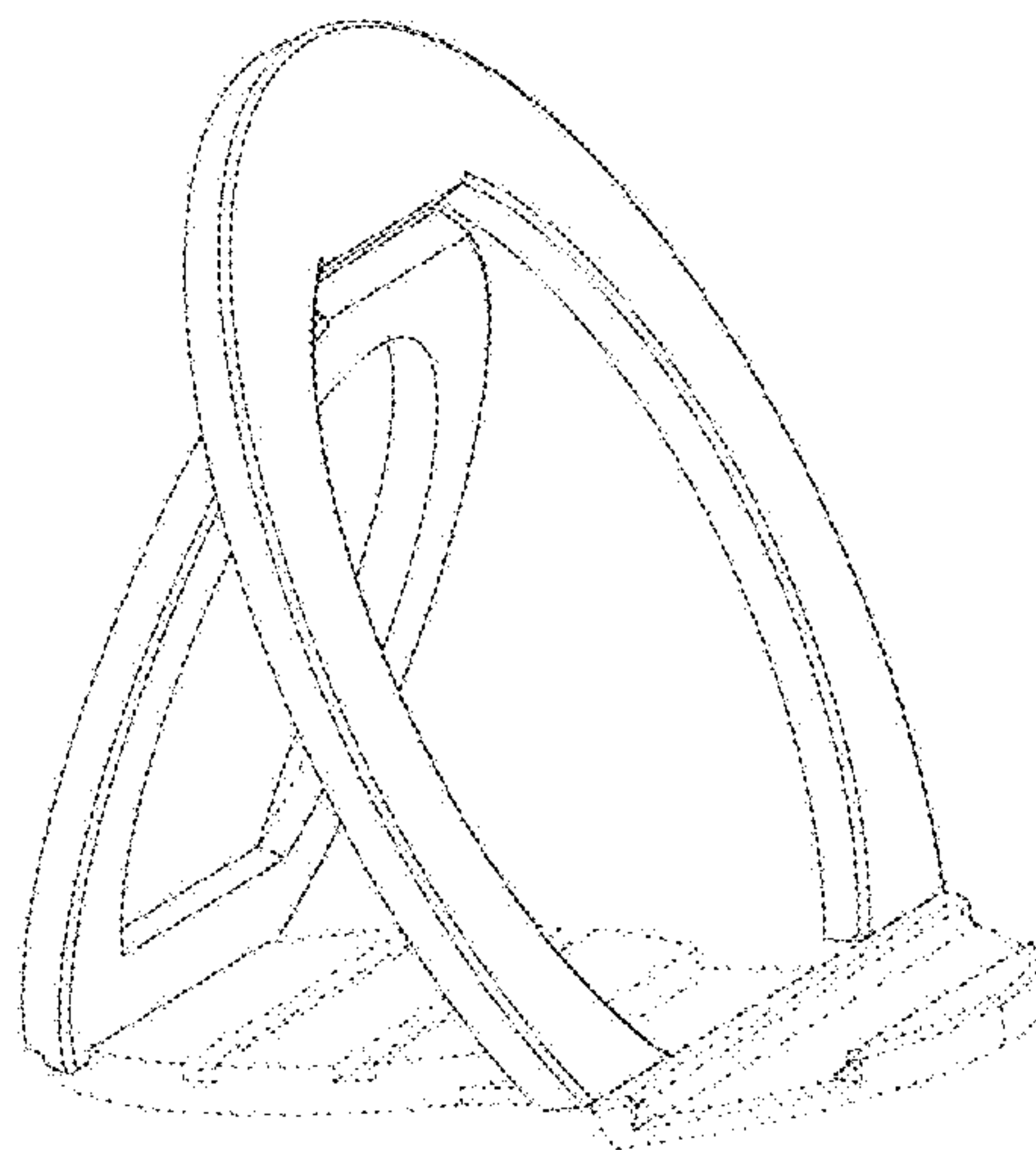
FIG. 6 is a front side view of a tablet stand, wherein the portions of the drawings shown in broken lines, are for illustrative purposes only and forms no part of the claimed design;

FIG. 7 is a rear side view of a tablet stand, wherein the portions of the drawings shown in broken lines, are for illustrative purposes only and forms no part of the claimed design;

FIG. 8 is a bottom side view of a tablet stand, wherein the portions of the drawings shown in broken lines, are for illustrative purposes only and forms no part of the claimed design; and,

FIG. 9 is an isometric view a tablet stand, wherein the portions of the drawings shown in broken lines, are for illustrative purposes only and forms no part of the claimed design.

1 Claim, 9 Drawing Sheets



(56)

References Cited

U.S. PATENT DOCUMENTS

D703,675	S *	4/2014	Jensen	D14/447
D703,676	S *	4/2014	Smith	D14/447
D749,083	S *	2/2016	Senoff	D14/451
D752,054	S *	3/2016	Baumann	D14/447
D767,575	S *	9/2016	Green	D14/447
D804,490	S *	12/2017	Wei	D14/447
2012/0168590	A1 *	7/2012	Yang	F16M 11/10 248/346.3
2015/0257288	A1 *	9/2015	Livernois	F16M 11/38 248/346.06

* cited by examiner

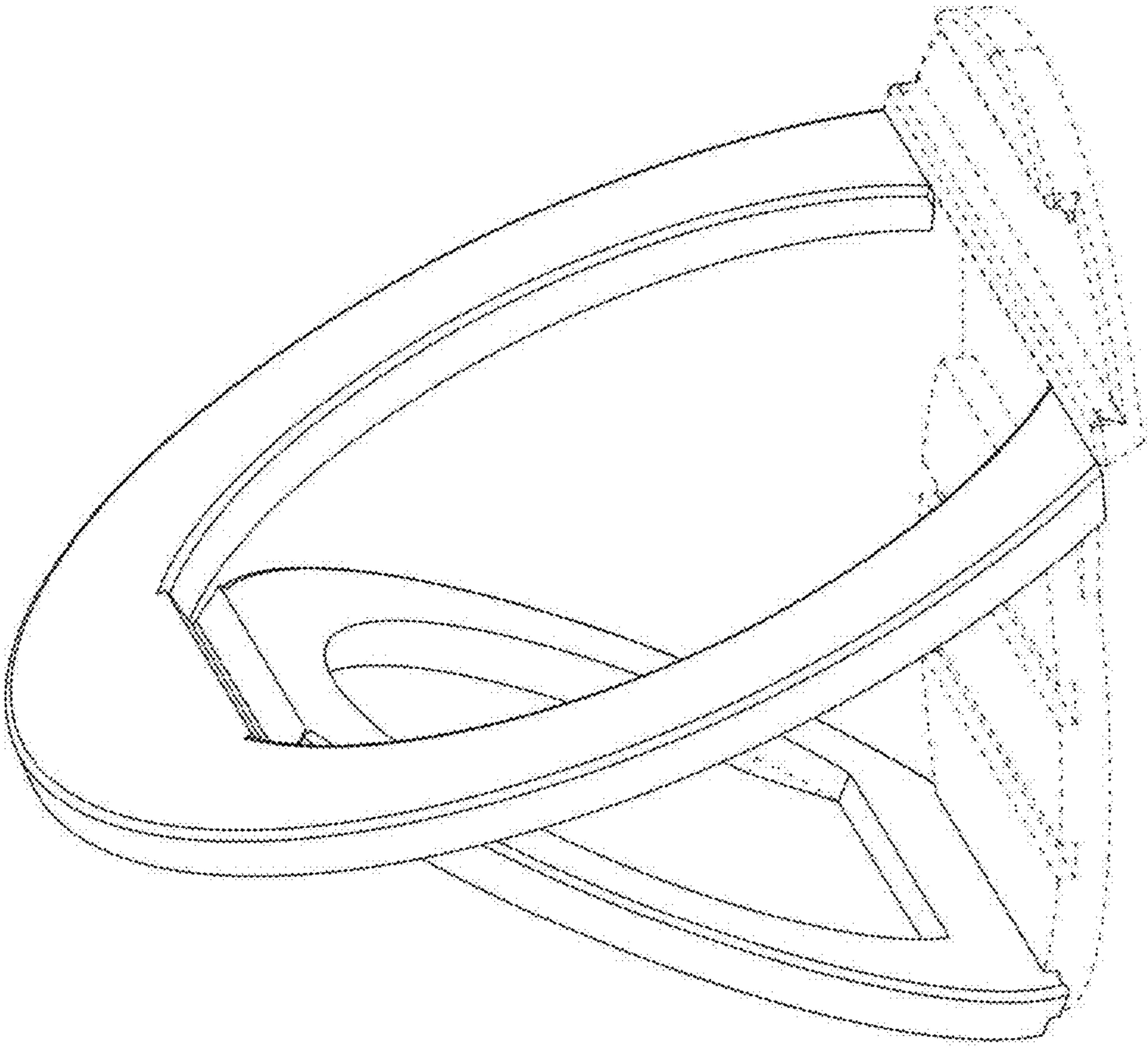


Fig. 1

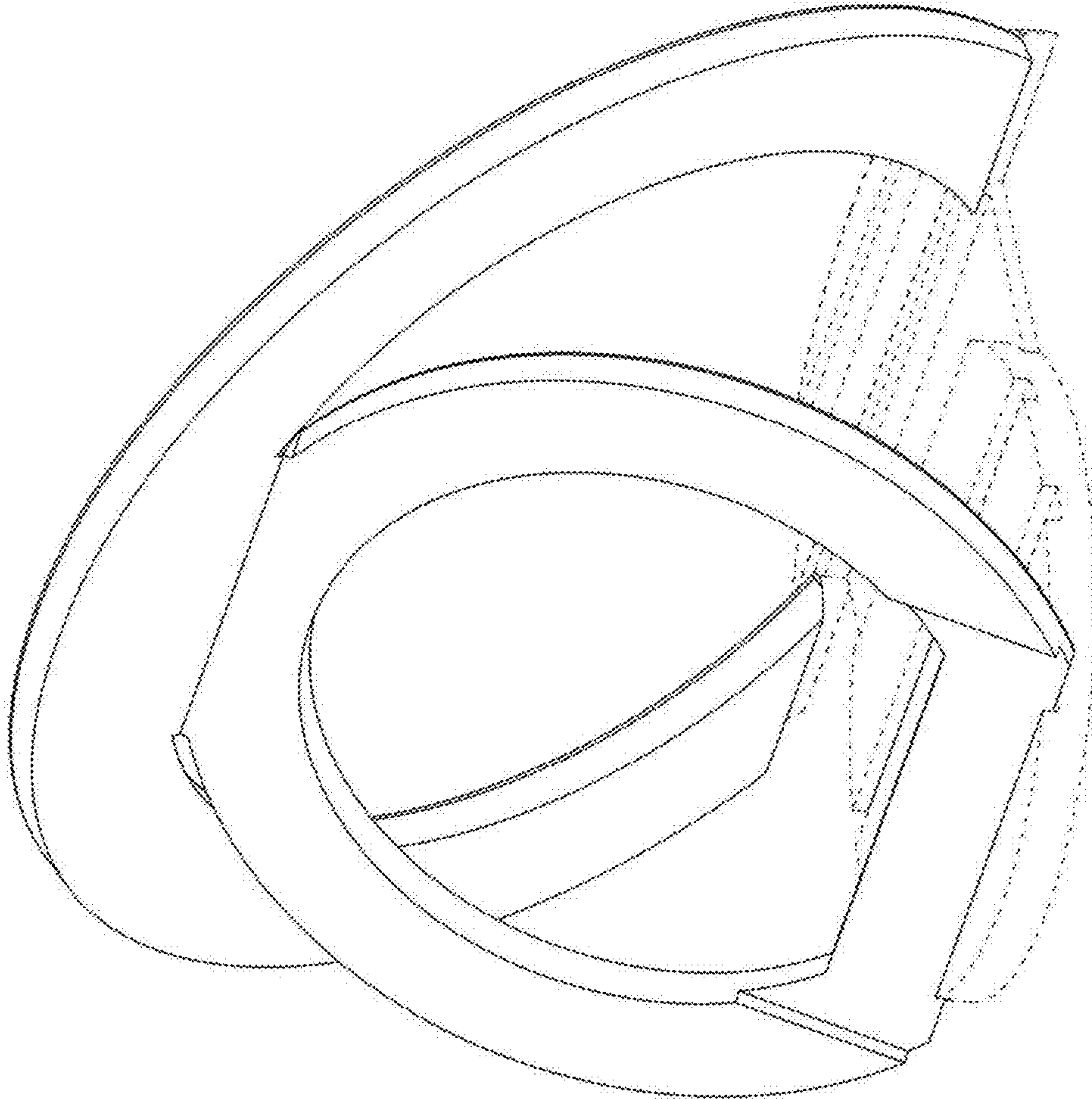


Fig. 2

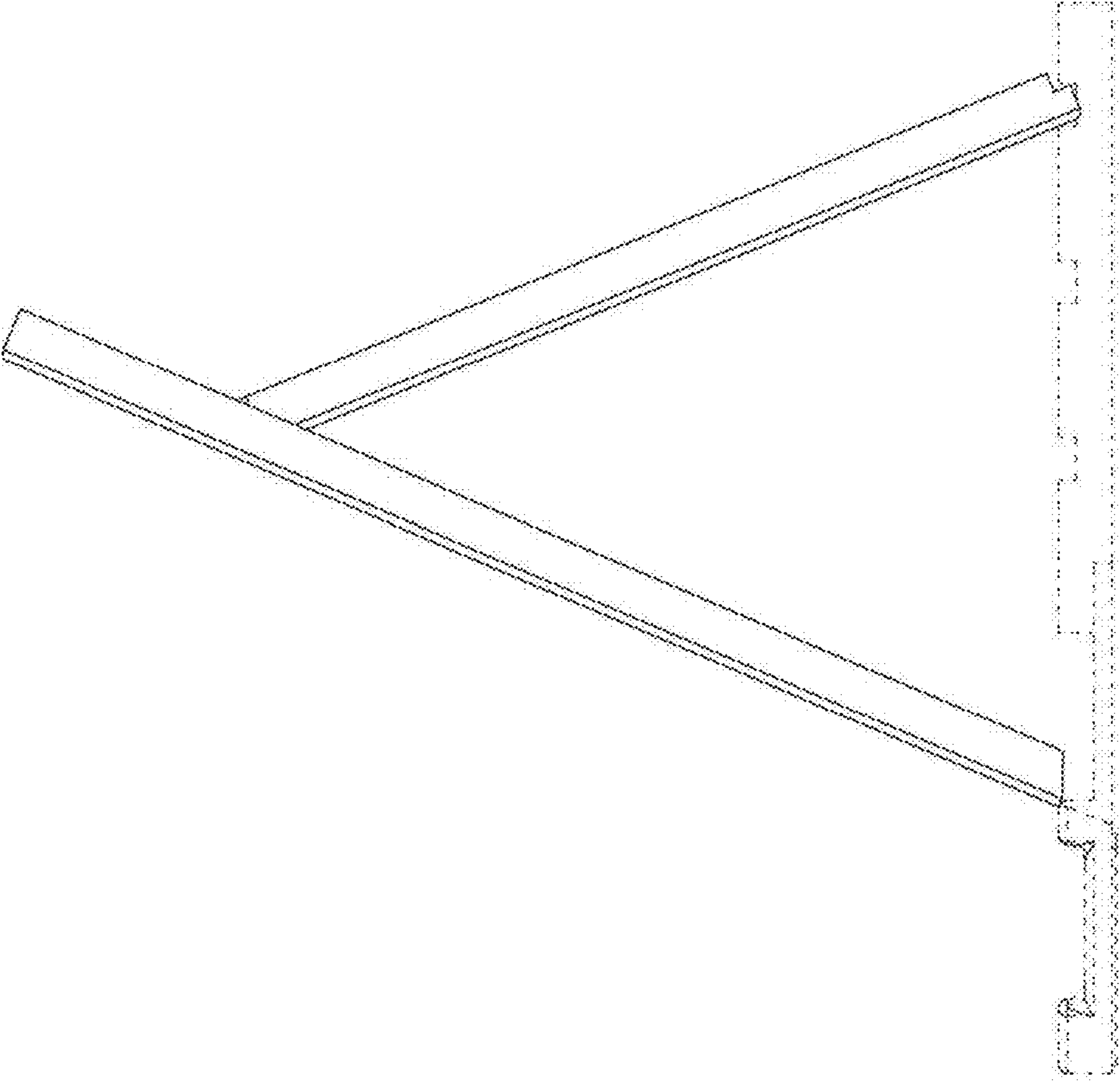


Fig. 3

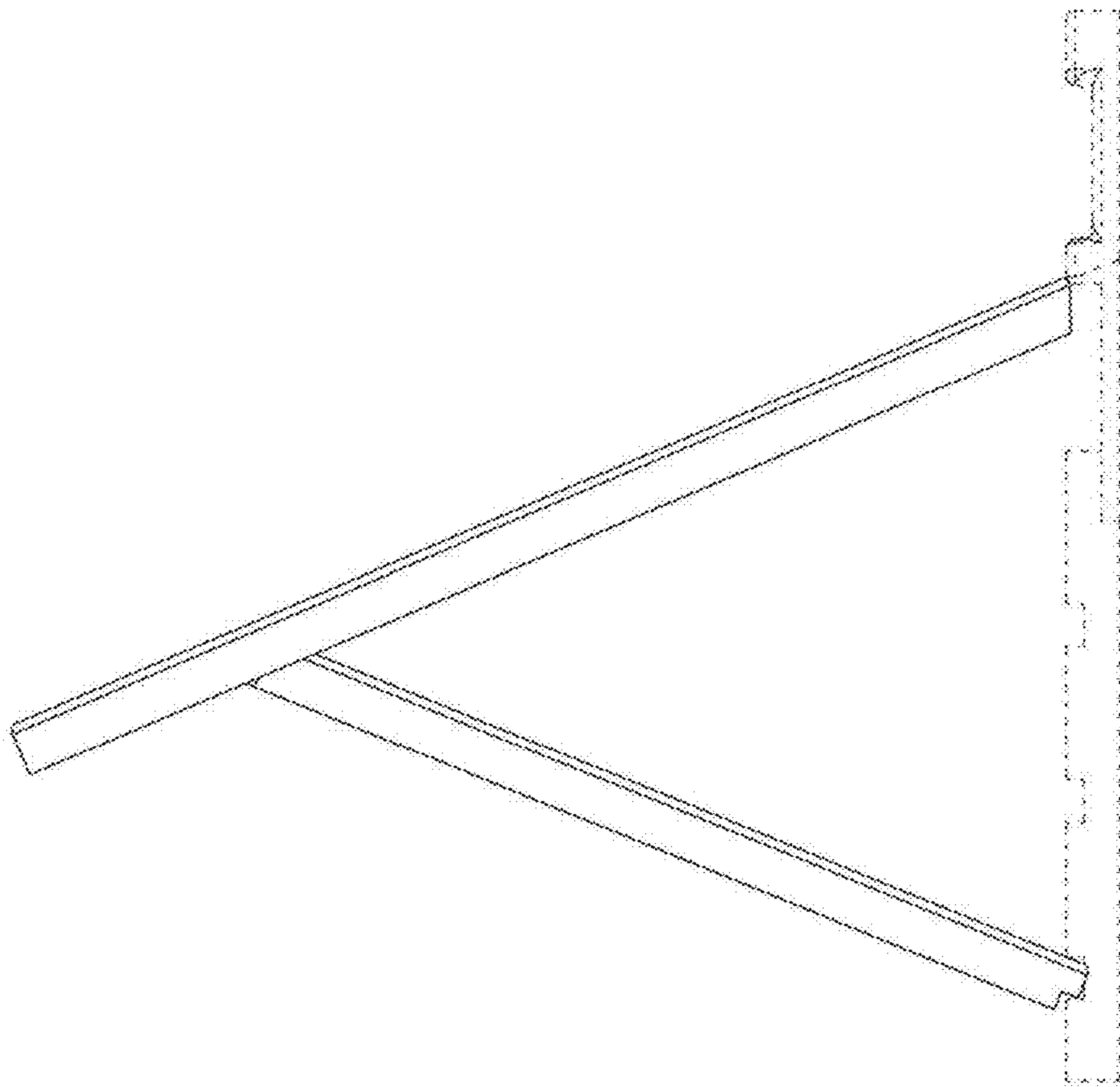


Fig. 4

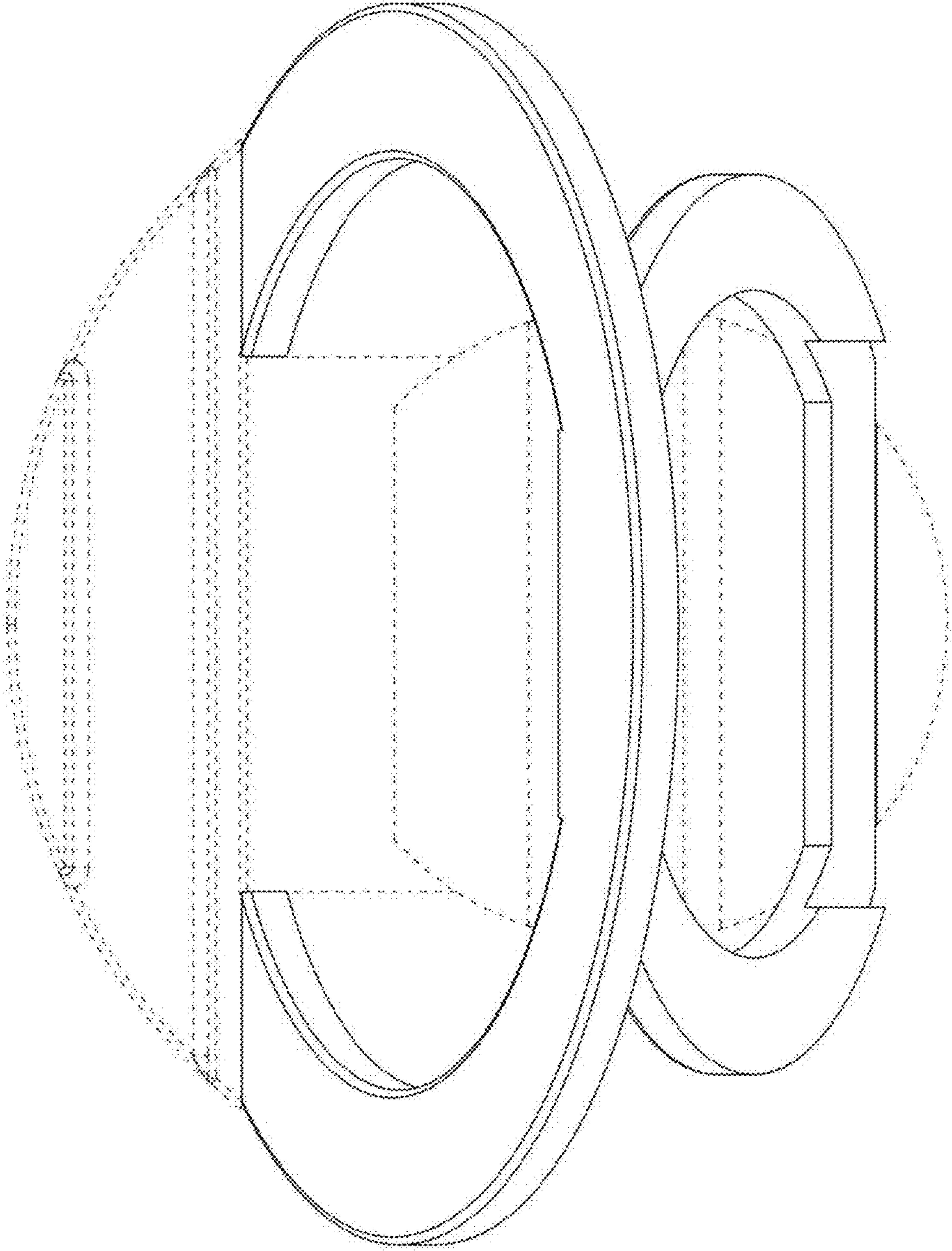


Fig. 5

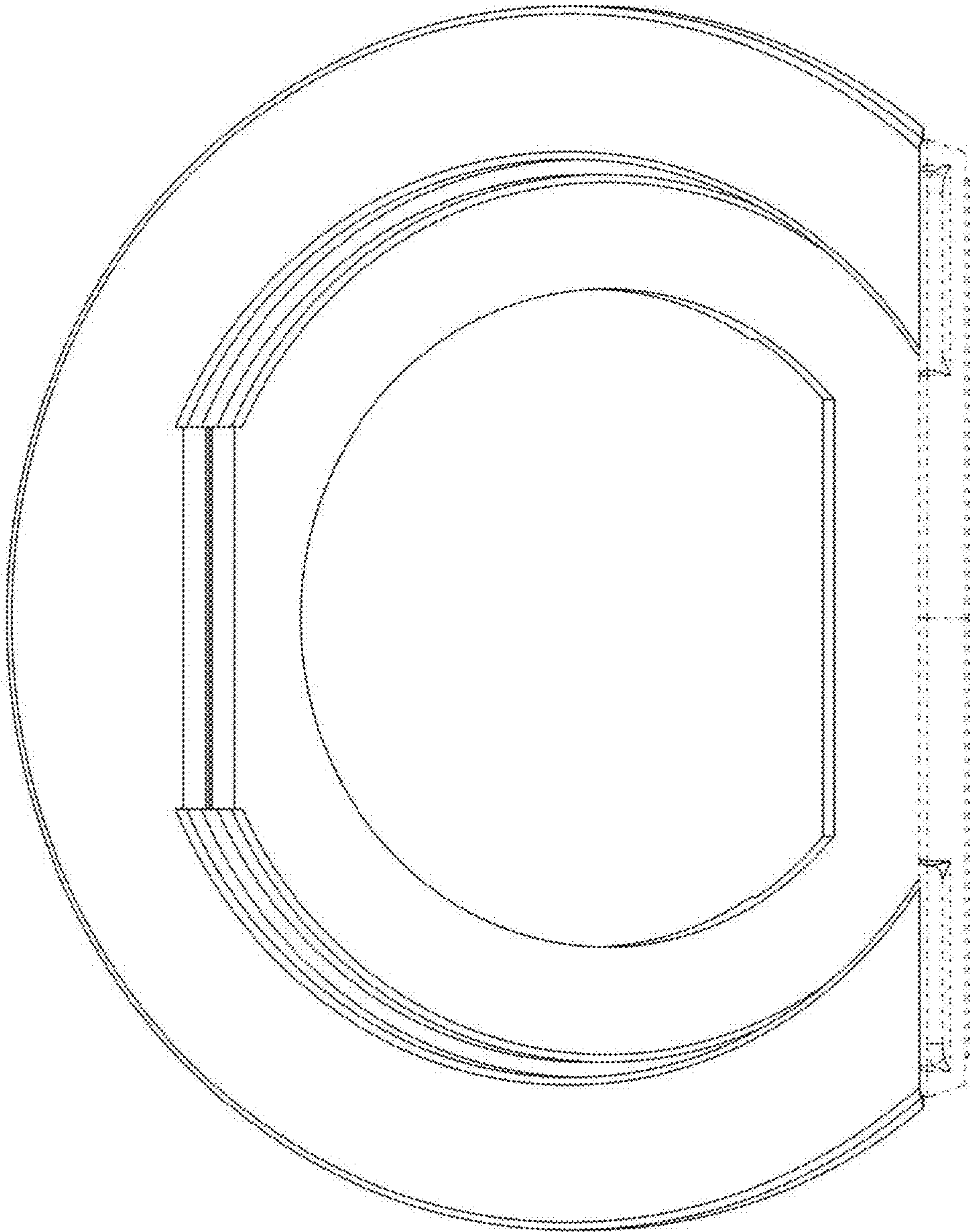


Fig. 6

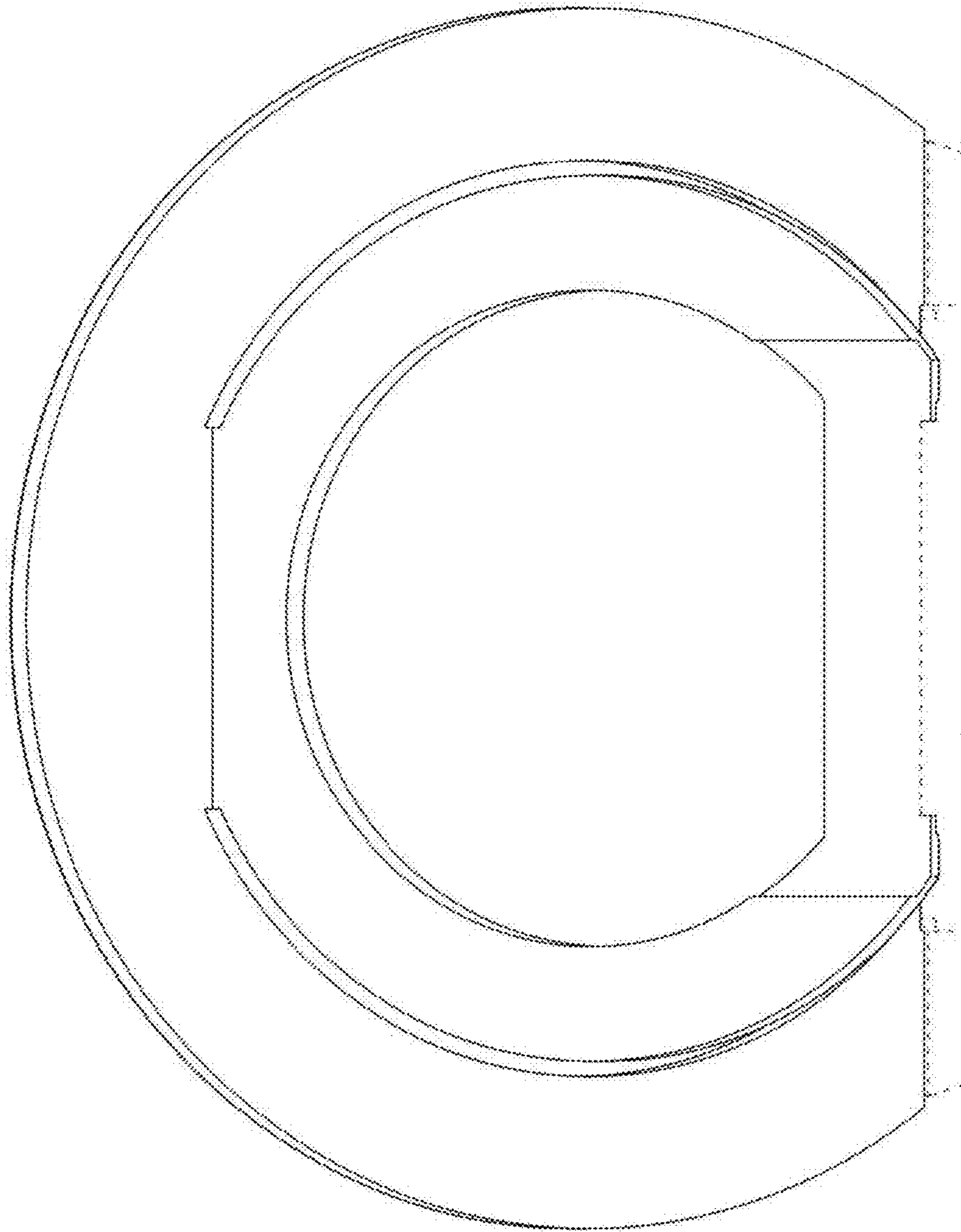


Fig. 7

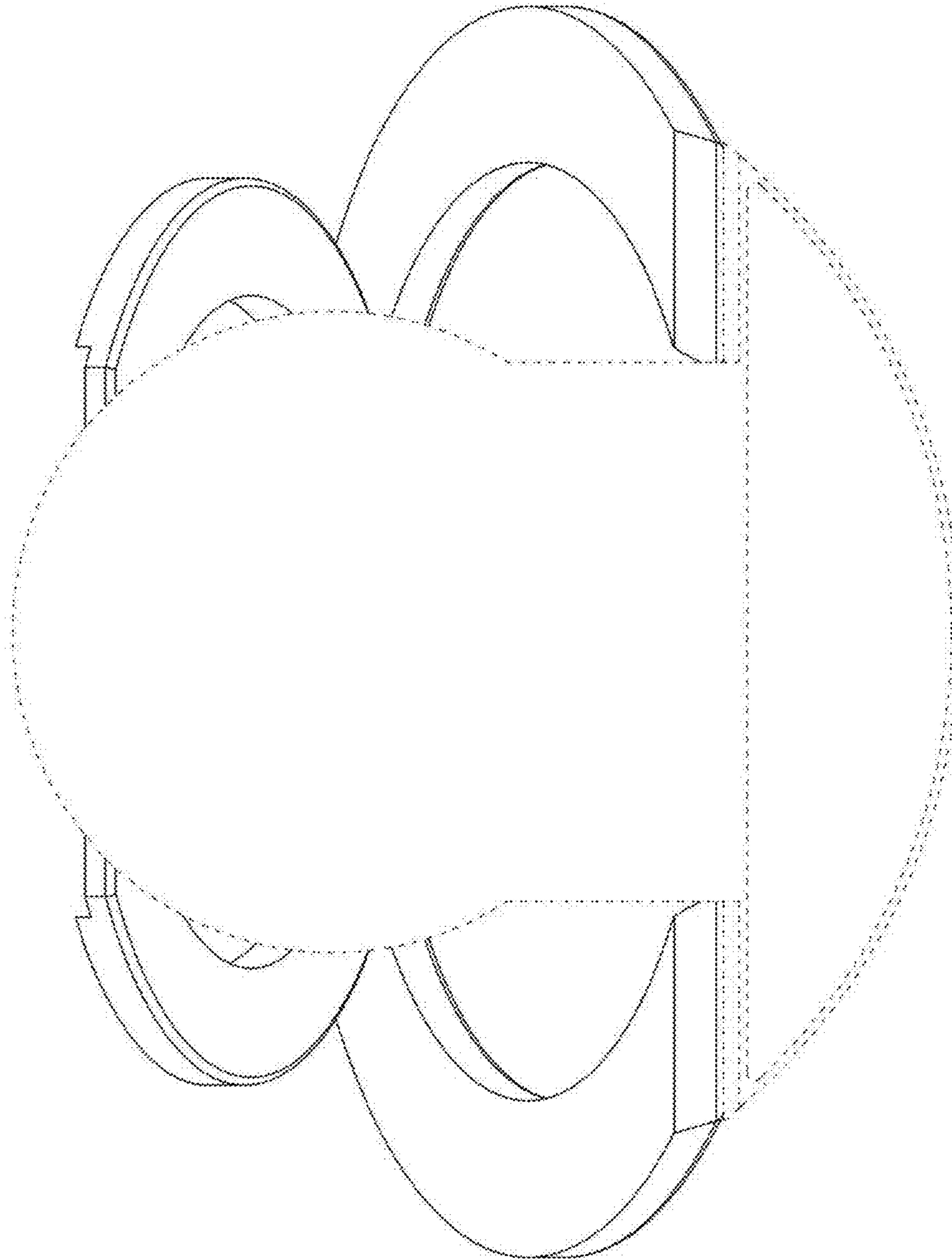


Fig. 8

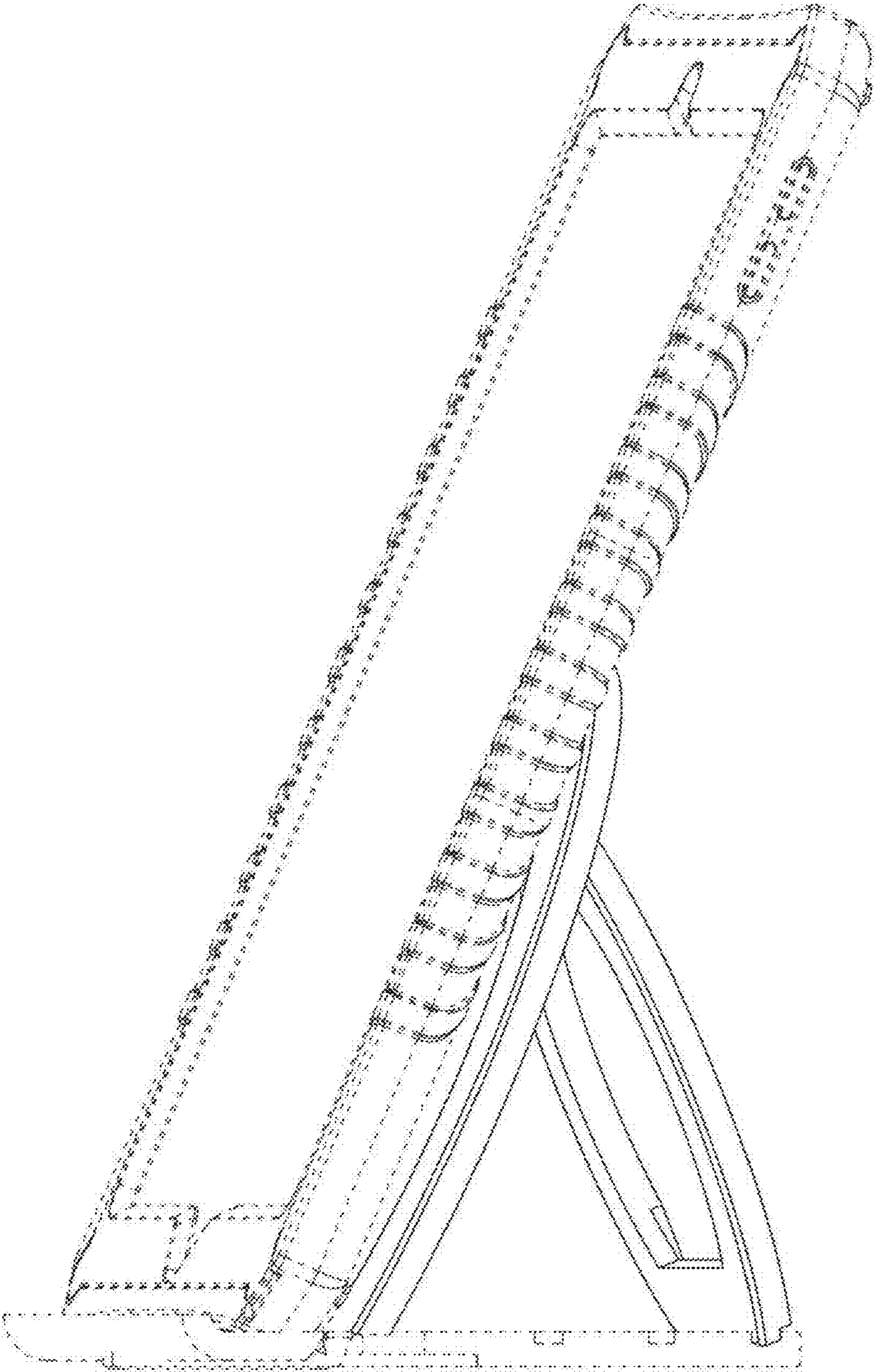


Fig. 9