



US00D833446S

(12) **United States Design Patent**  
**Elder**

(10) **Patent No.:** **US D833,446 S**  
(45) **Date of Patent:** **\*\* Nov. 13, 2018**

(54) **MULTI-FUNCTIONAL STAND FOR MOBILE COMPUTING DEVICE**

(71) Applicant: **NexVidea, Inc.**, Spring, TX (US)

(72) Inventor: **Lloyd John Elder**, Alberta (CA)

(73) Assignee: **NexVidea, Inc.**, Spring, TX (US)

(\*\*) Term: **15 Years**

(21) Appl. No.: **29/601,394**

(22) Filed: **Apr. 21, 2017**

(51) **LOC (11) Cl.** ..... **08-07**

(52) **U.S. Cl.**  
USPC ..... **D14/447**

(58) **Field of Classification Search**

USPC ..... D14/447, 432, 434, 439, 440, 451, 452,  
D14/457, 239; D8/363, 373, 380;  
D6/406.3, 406.4, 406.5, 406.6; D12/415  
CPC ..... A47B 21/04; A47B 2097/006; A47B  
2097/005; A47B 2023/049; A45C

(Continued)

(56) **References Cited**

**U.S. PATENT DOCUMENTS**

D549,232 S \* 8/2007 Li ..... D14/434  
D589,964 S \* 4/2009 Heggland ..... D14/434  
D678,296 S \* 3/2013 Lakraa ..... D14/447

(Continued)

*Primary Examiner* — Angela J Lee

(74) *Attorney, Agent, or Firm* — LKP Global Law, LLP

(57) **CLAIM**

The ornamental design for a multi-functional stand for mobile computing device, as shown and described.

**DESCRIPTION**

FIG. 1 is a top perspective view of a multi-functional stand for a mobile computing device in a closed position;

FIG. 2 is a bottom perspective view of the multi-functional stand for mobile computing device taken from FIG. 1;

FIG. 3 is a right side view of the multi-functional stand for mobile computing device of FIG. 1;

FIG. 4 is a left side view of the multi-functional stand for mobile computing device of FIG. 1;

FIG. 5 is a bottom end view of the multi-functional stand for mobile computing device of FIG. 1;

FIG. 6 is a top end view of the multi-functional stand for mobile computing device of FIG. 1;

FIG. 7 is a front view of the multi-functional stand for mobile computing device in a closed position taken from FIG. 1;

FIG. 8 is a back view of the multi-functional stand for mobile computing device in a closed position taken from FIG. 1;

FIG. 9 is a top perspective view of a multi-functional stand for mobile computing device of FIG. 1 in an open position;

FIG. 10 is a bottom perspective view of the multi-functional stand for mobile computing device taken from FIG. 9;

FIG. 11 is a right side view of the multi-functional stand for mobile computing device of FIG. 9;

FIG. 12 is a left side view of the multi-functional stand for mobile computing device of FIG. 9;

FIG. 13 is a bottom end view of the multi-functional stand for mobile computing device of FIG. 9;

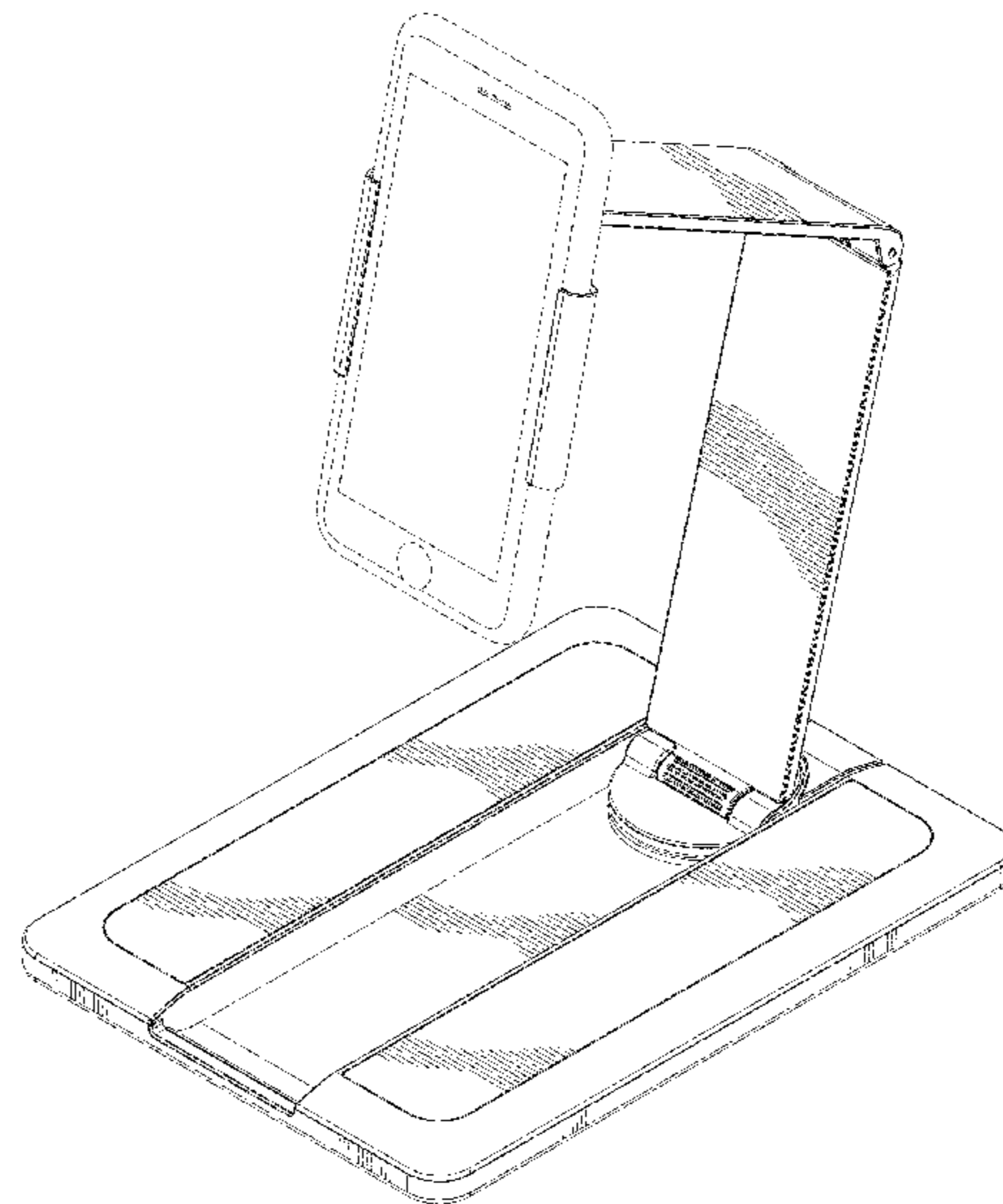
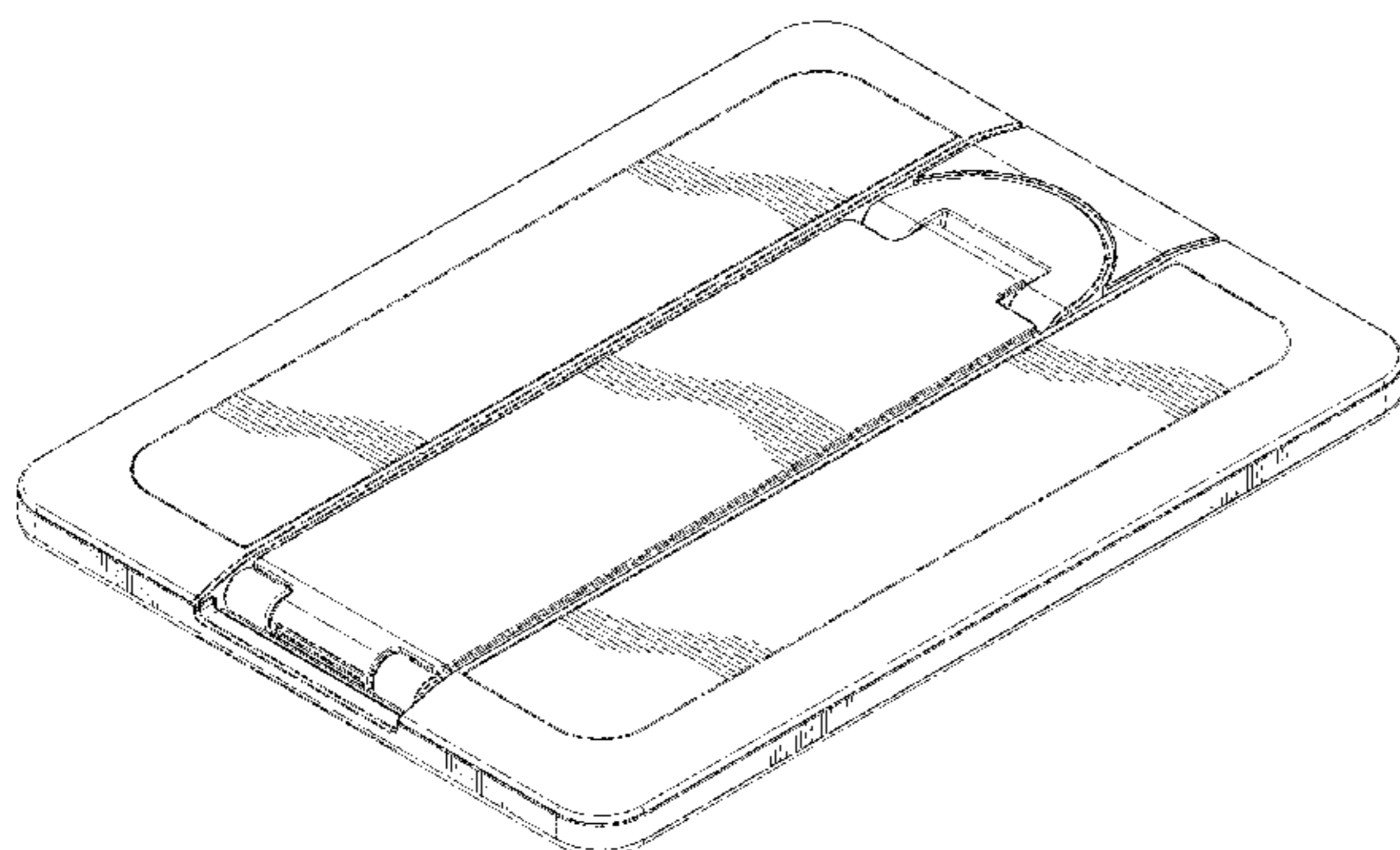
FIG. 14 is a top end view of the multi-functional stand for mobile computing device of FIG. 9;

FIG. 15 is a front view of the multi-functional stand for mobile computing device in an open position taken from FIG. 9; and,

FIG. 16 is a back view of the multi-functional stand for mobile computing device in an open position taken from FIG. 9.

The broken lines are for illustrative purposes only and form no part of the claimed design.

**1 Claim, 14 Drawing Sheets**



(58) **Field of Classification Search**

CPC ... 2011/002; A45C 2011/003; F16M 2200/00;  
F16M 13/00

See application file for complete search history.

(56) **References Cited**

U.S. PATENT DOCUMENTS

D685,378 S *	7/2013	Deng .....	D14/447
D690,306 S *	9/2013	Malisse .....	D14/447
D709,896 S *	7/2014	McKinstry .....	D14/447
D714,775 S *	10/2014	Yoo .....	D14/253
D724,072 S *	3/2015	Jiang .....	D14/253
D733,157 S *	6/2015	Kim .....	D14/447
D735,727 S *	8/2015	Dugger .....	D14/447
D746,824 S *	1/2016	Heckler .....	D14/447
D760,723 S *	7/2016	Won .....	D14/447

\* cited by examiner

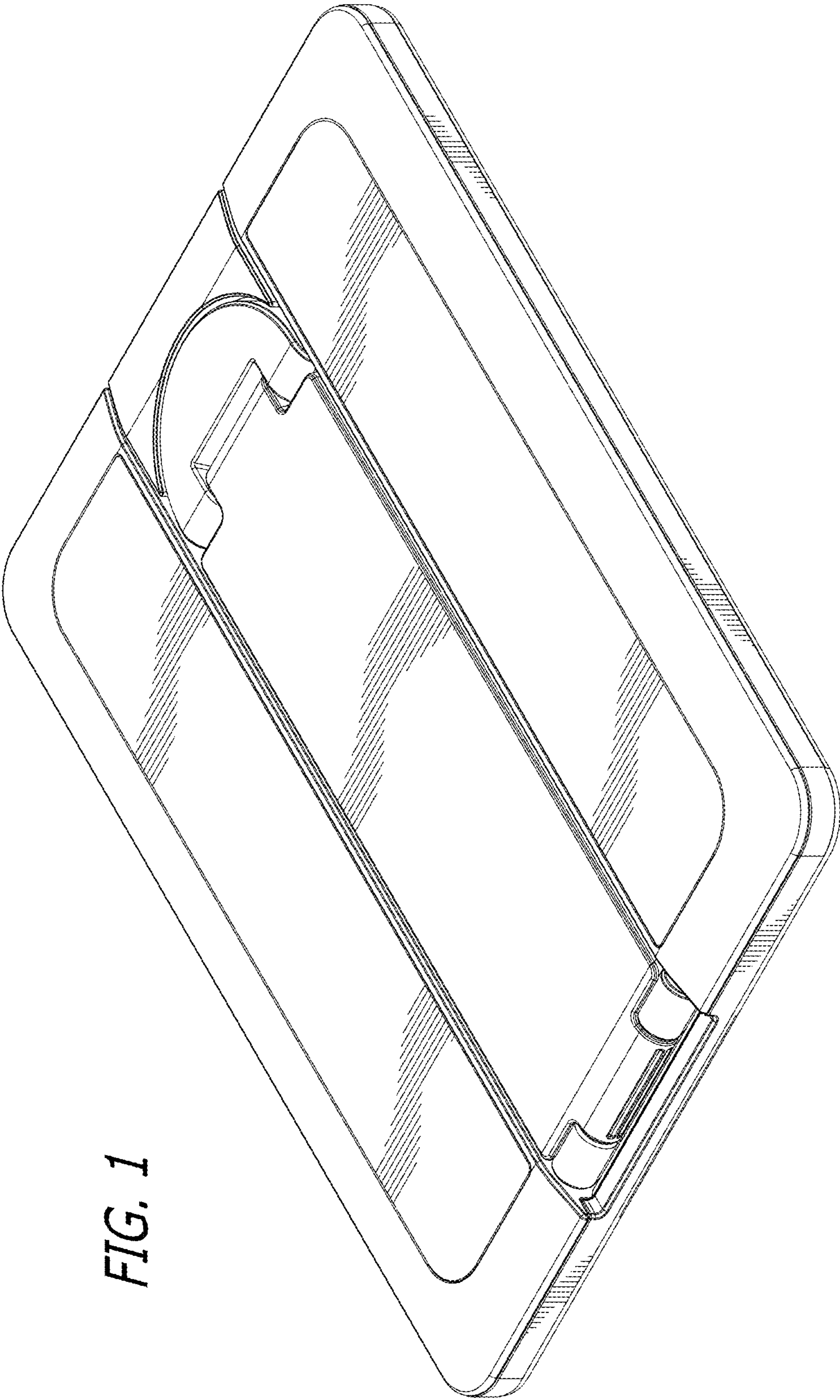


FIG. 1

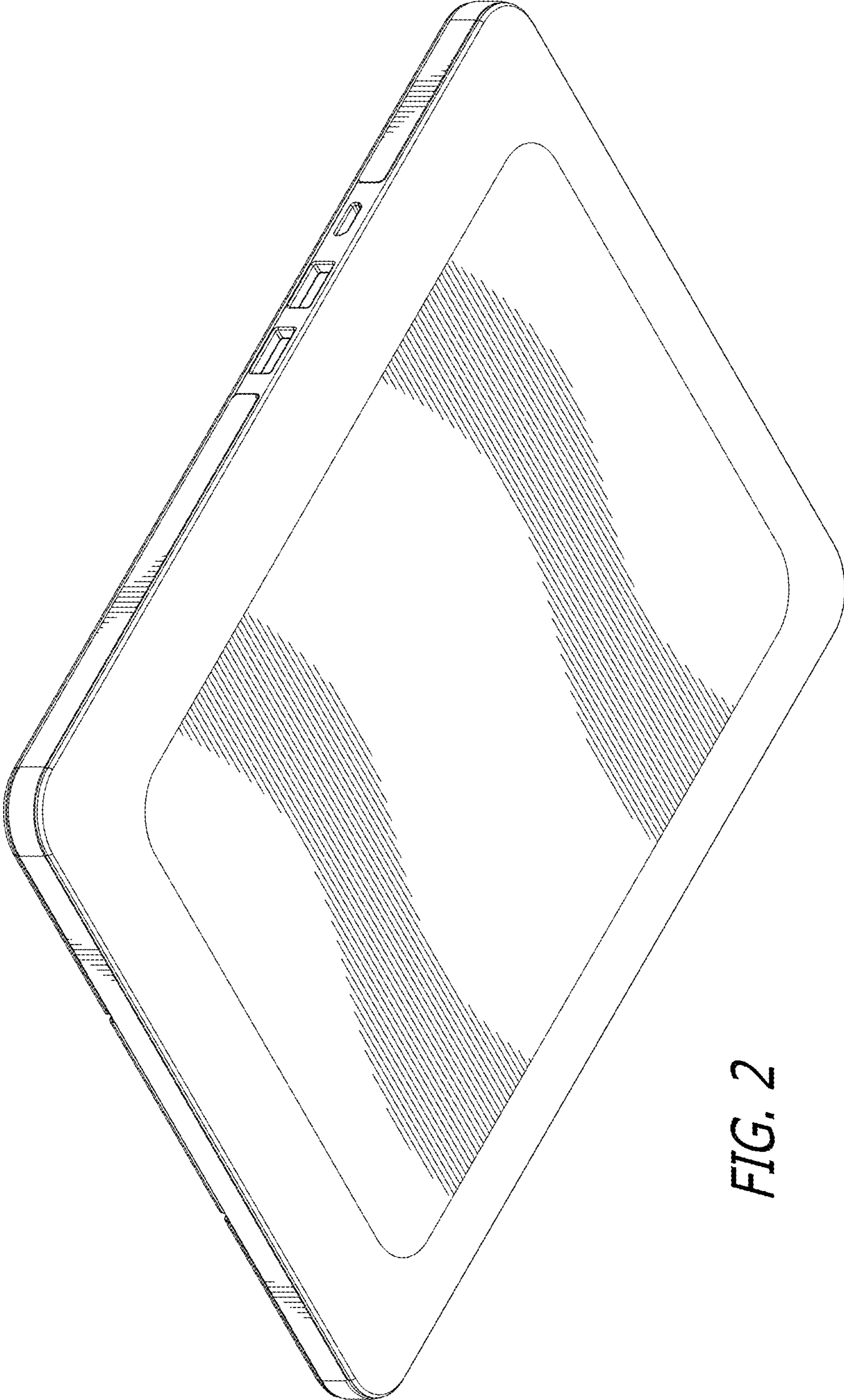
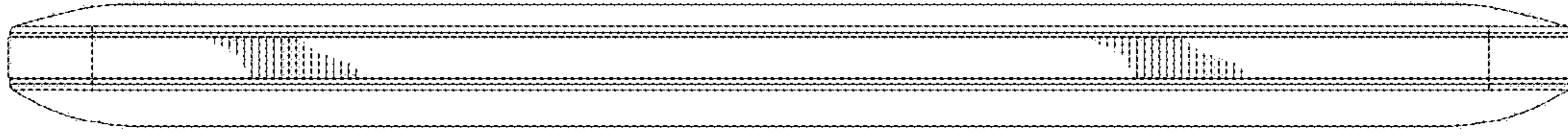
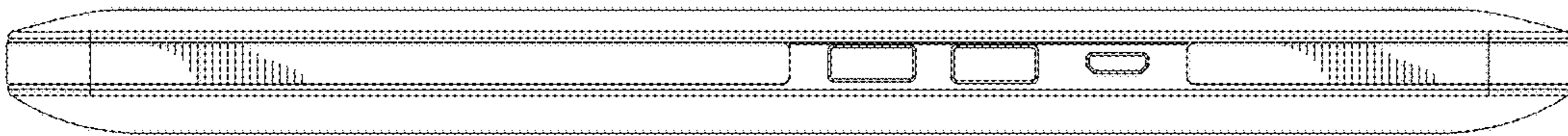


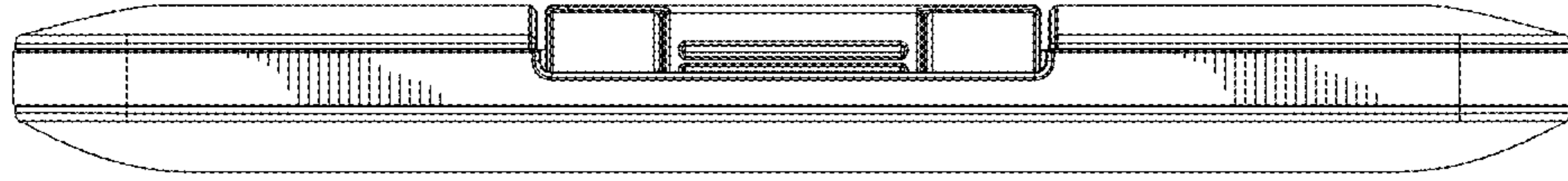
FIG. 2



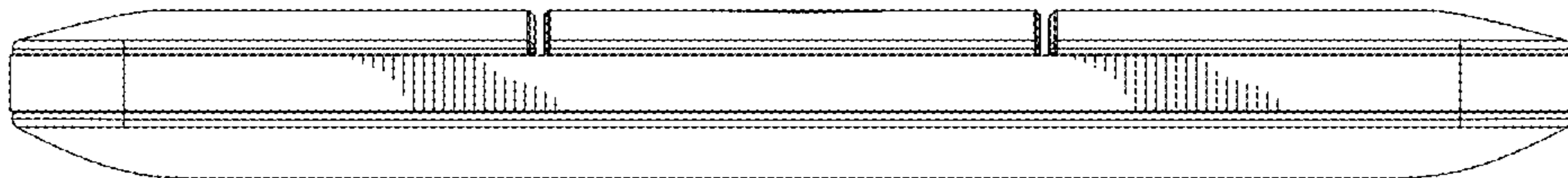
*FIG. 3*



*FIG. 4*



*FIG. 5*



*FIG. 6*

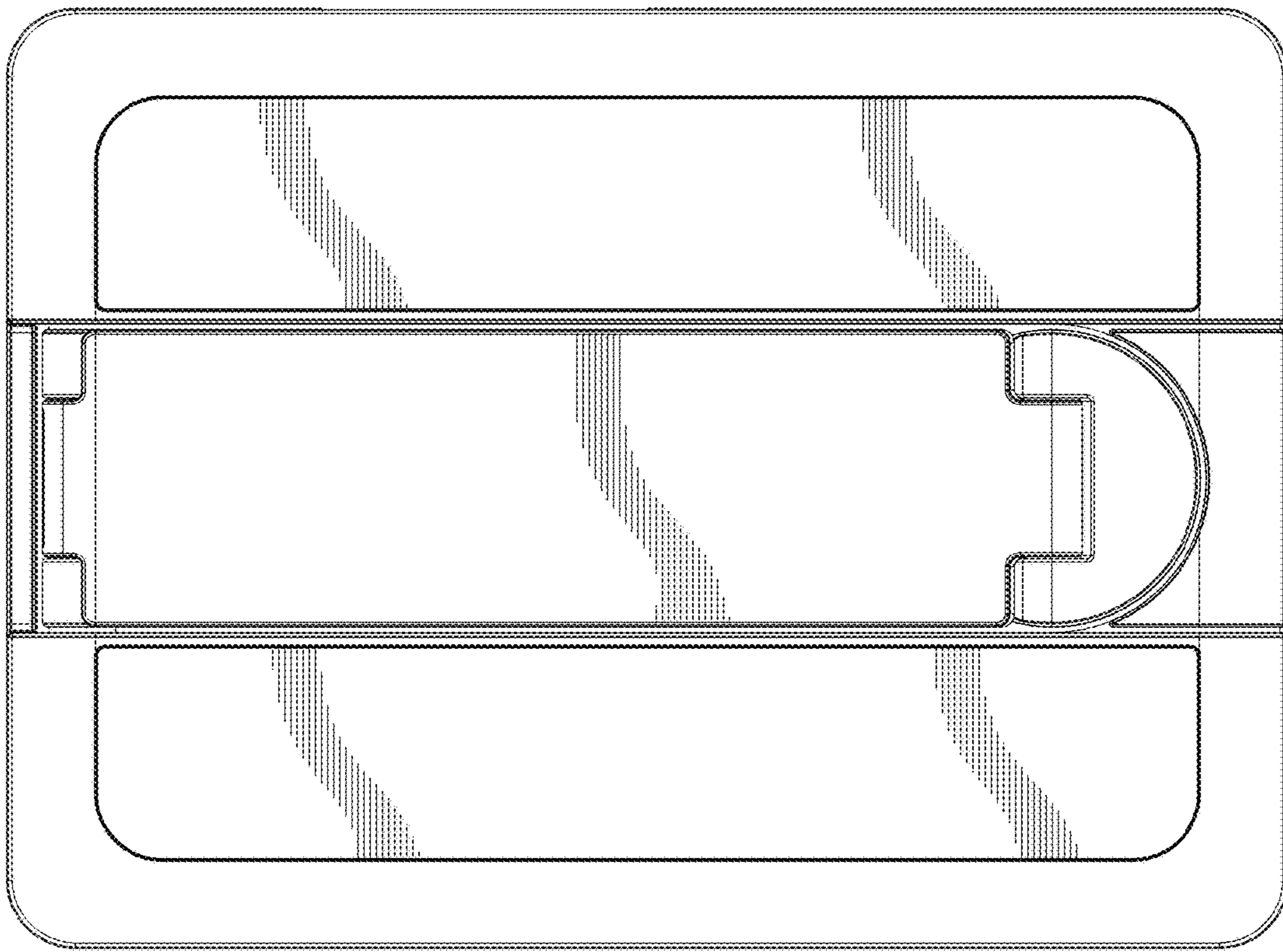
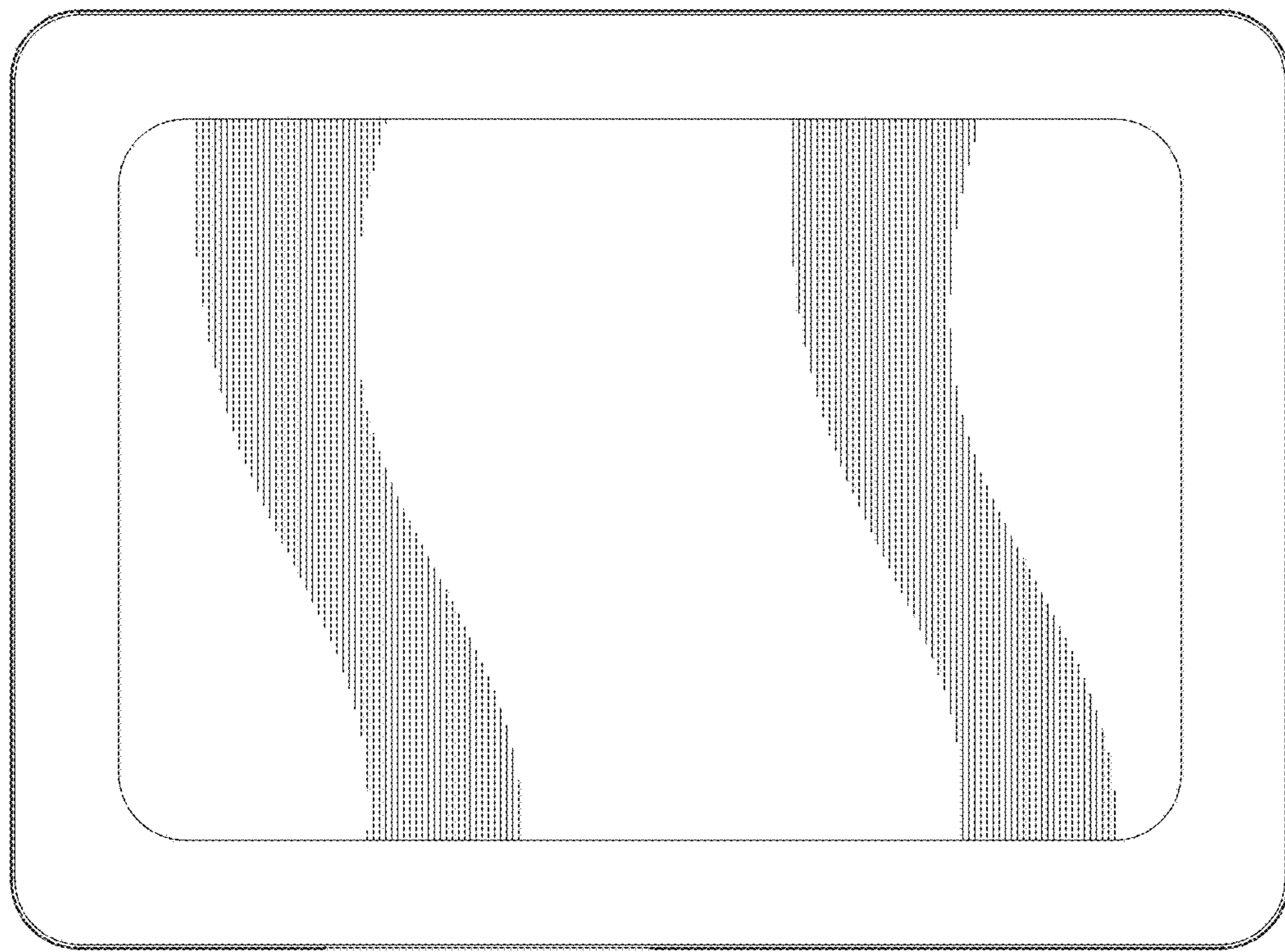


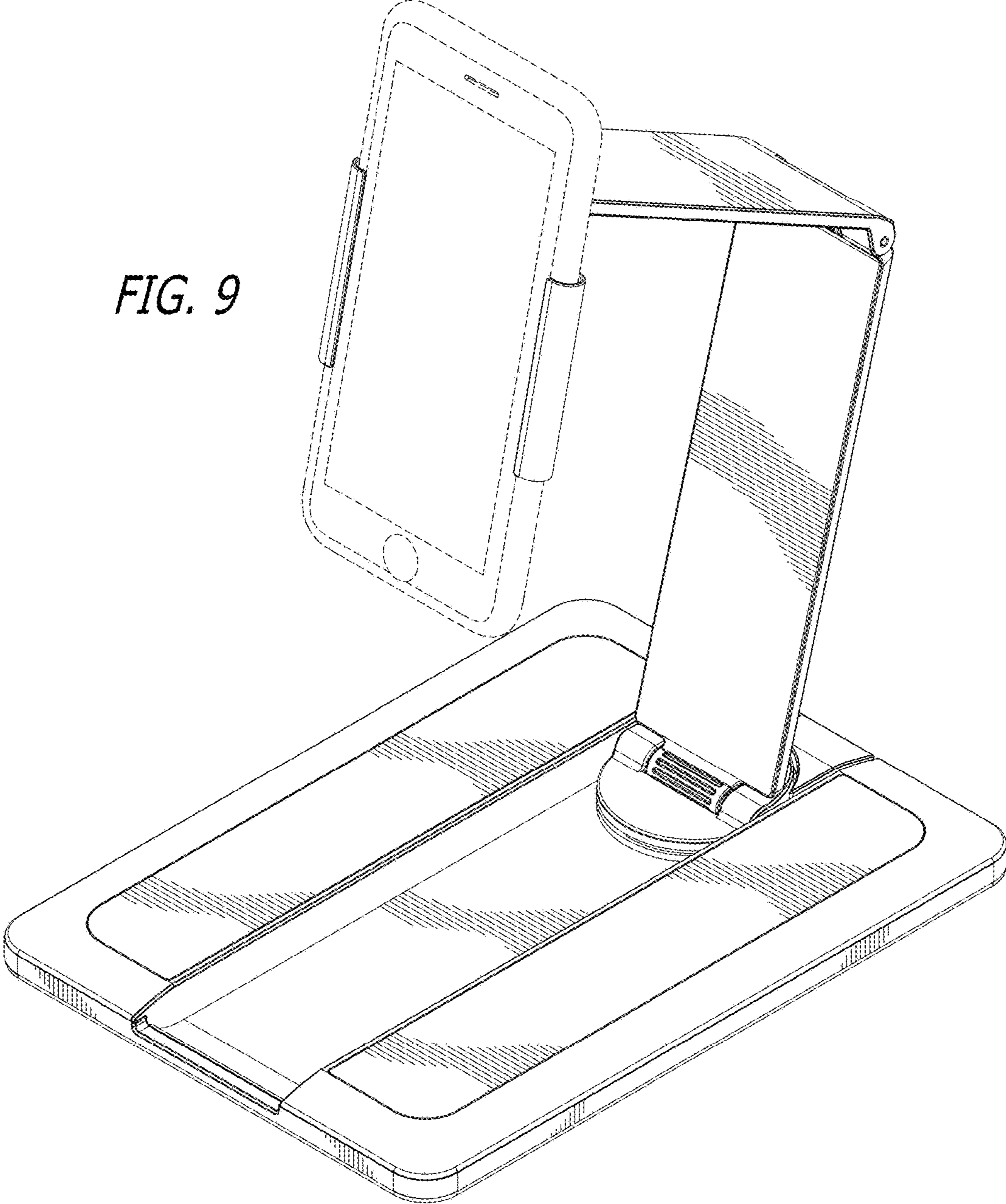
FIG. 7

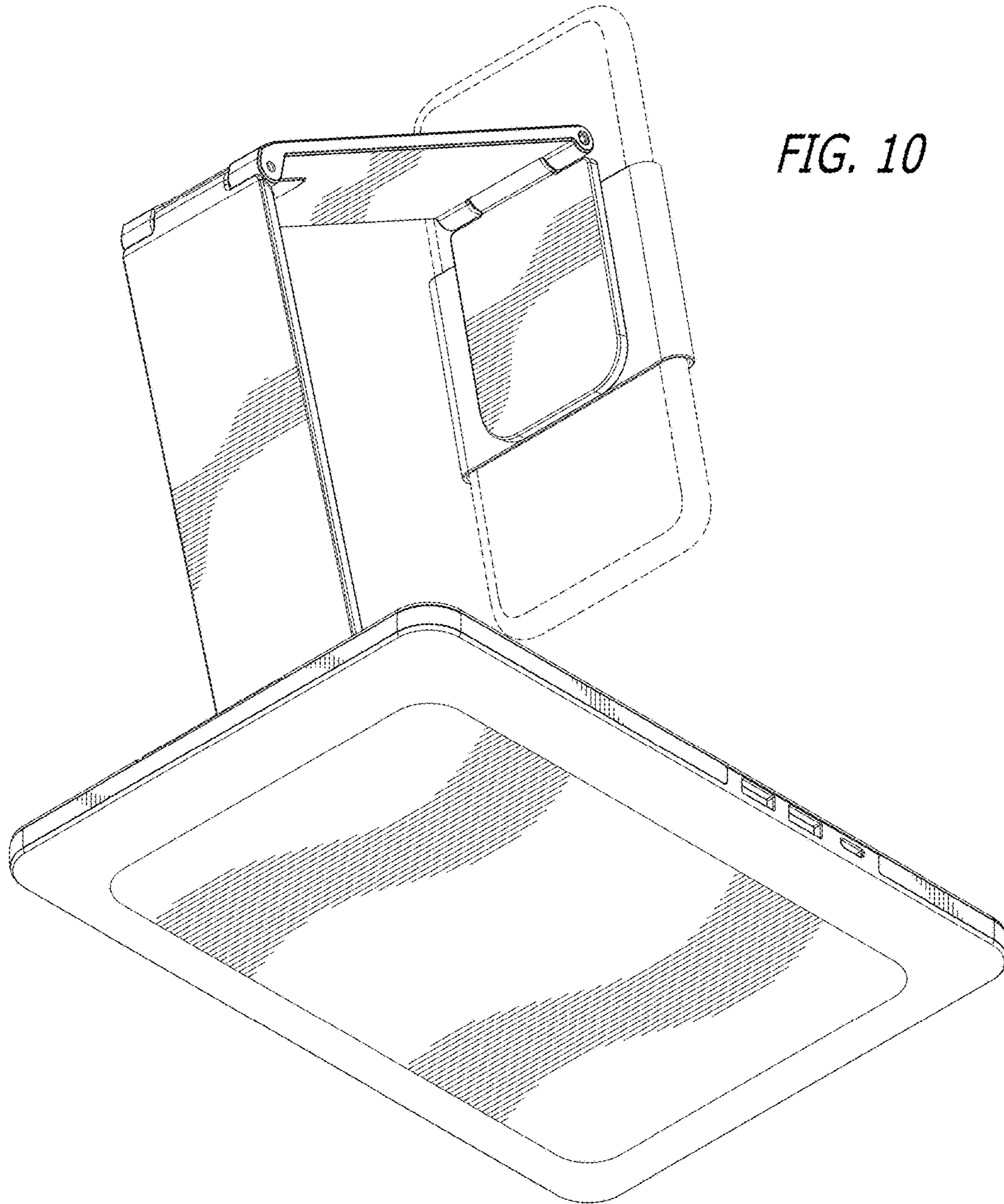


*FIG. 8*

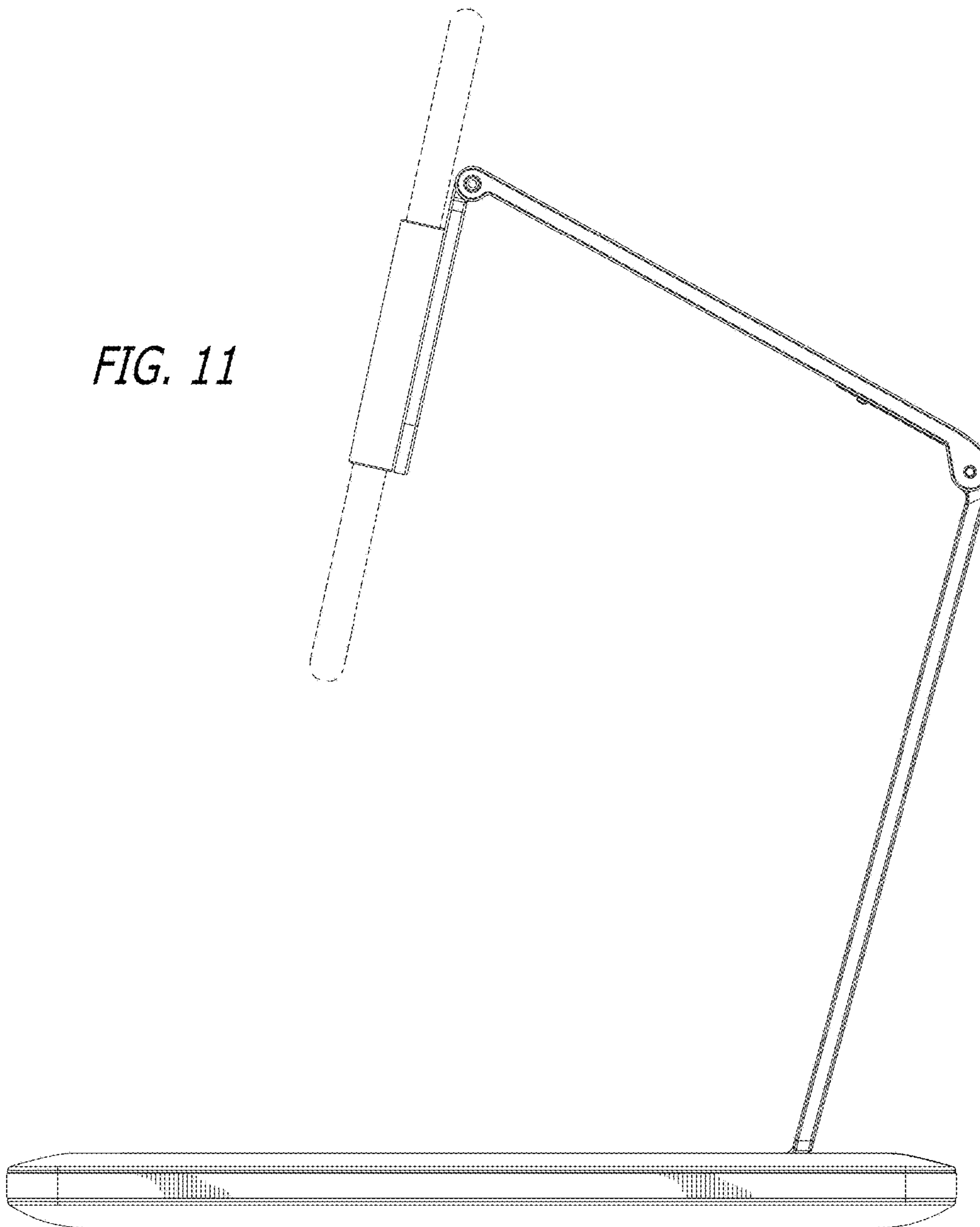


FIG. 9





*FIG. 11*



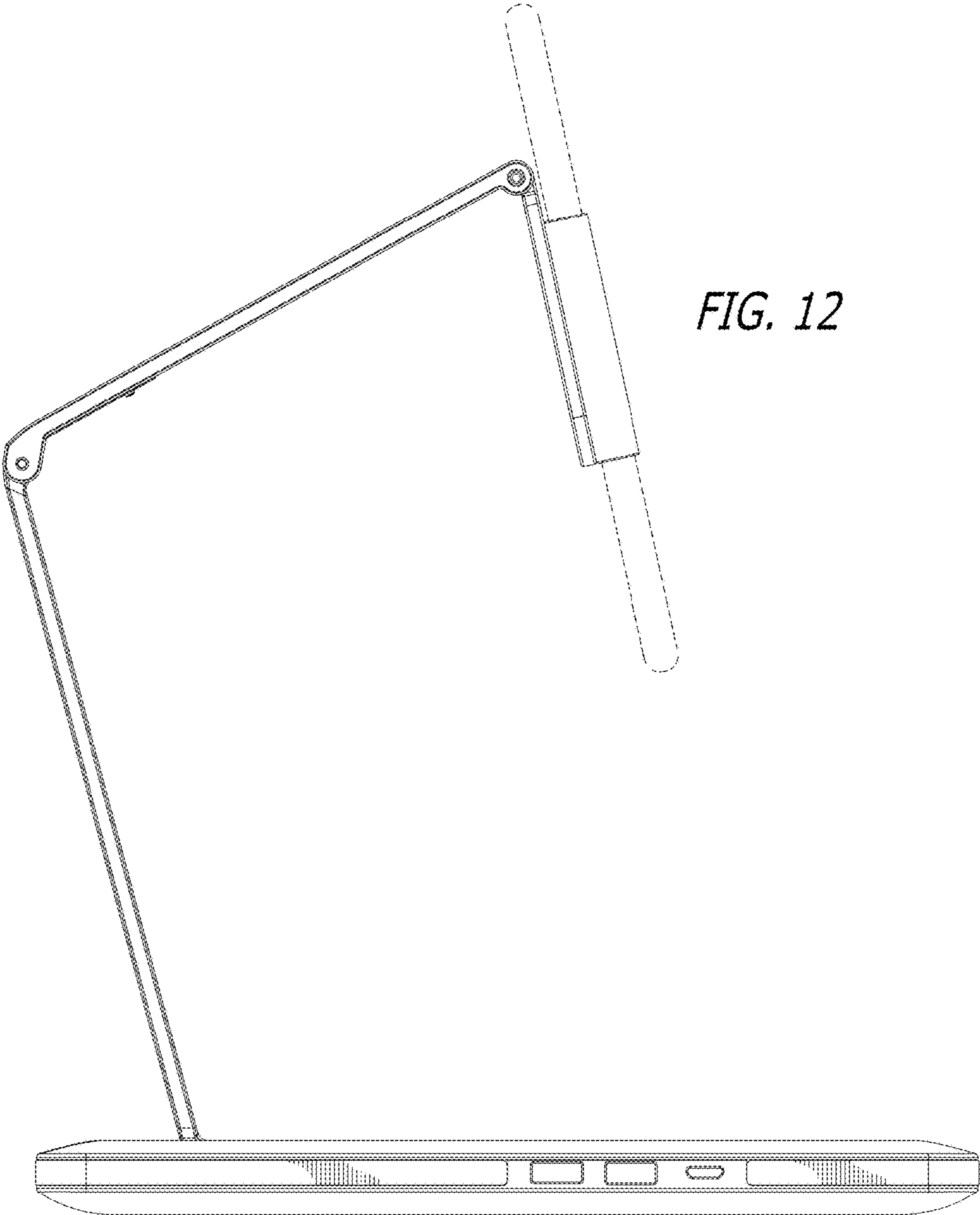
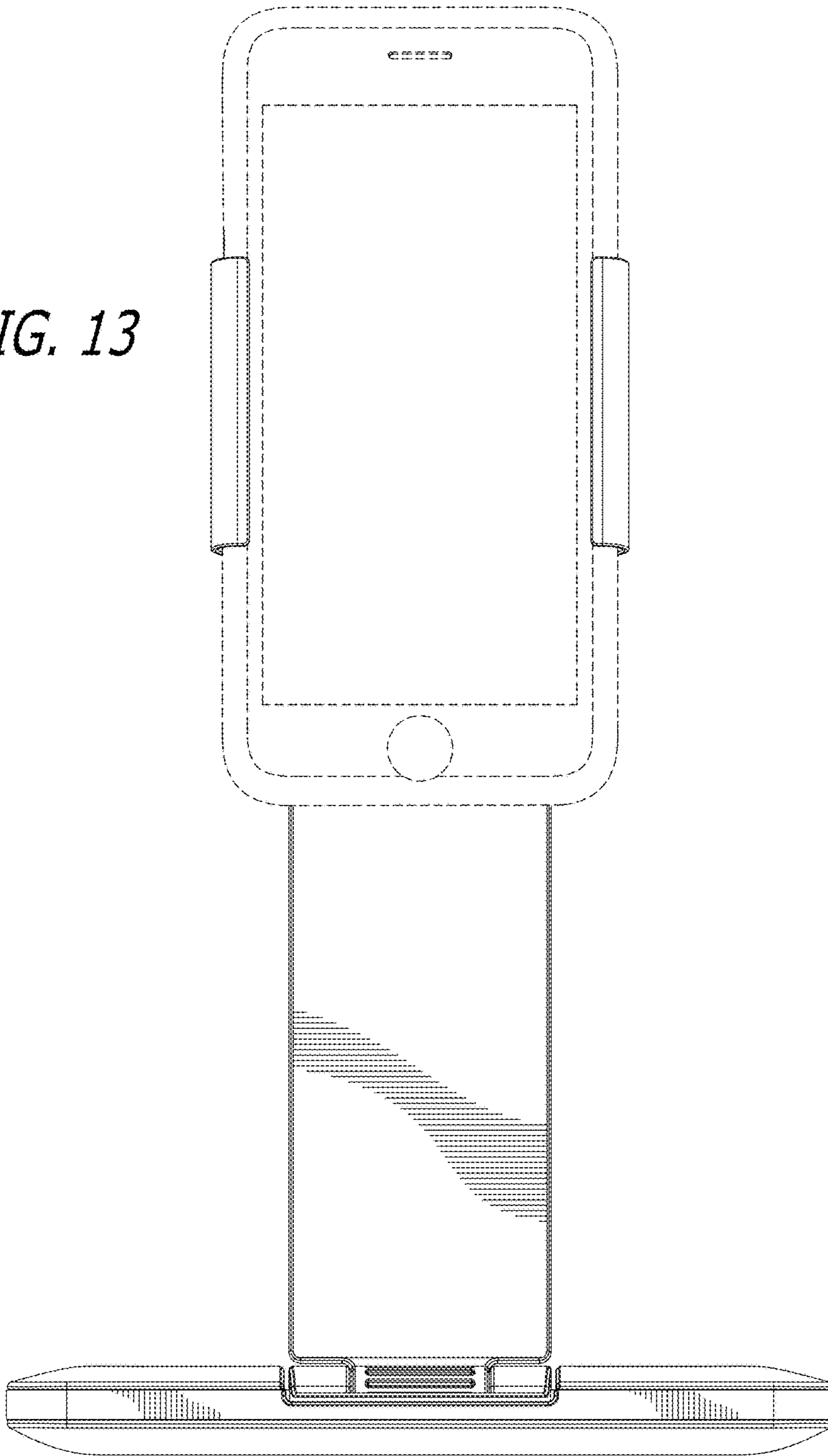


FIG. 12

*FIG. 13*



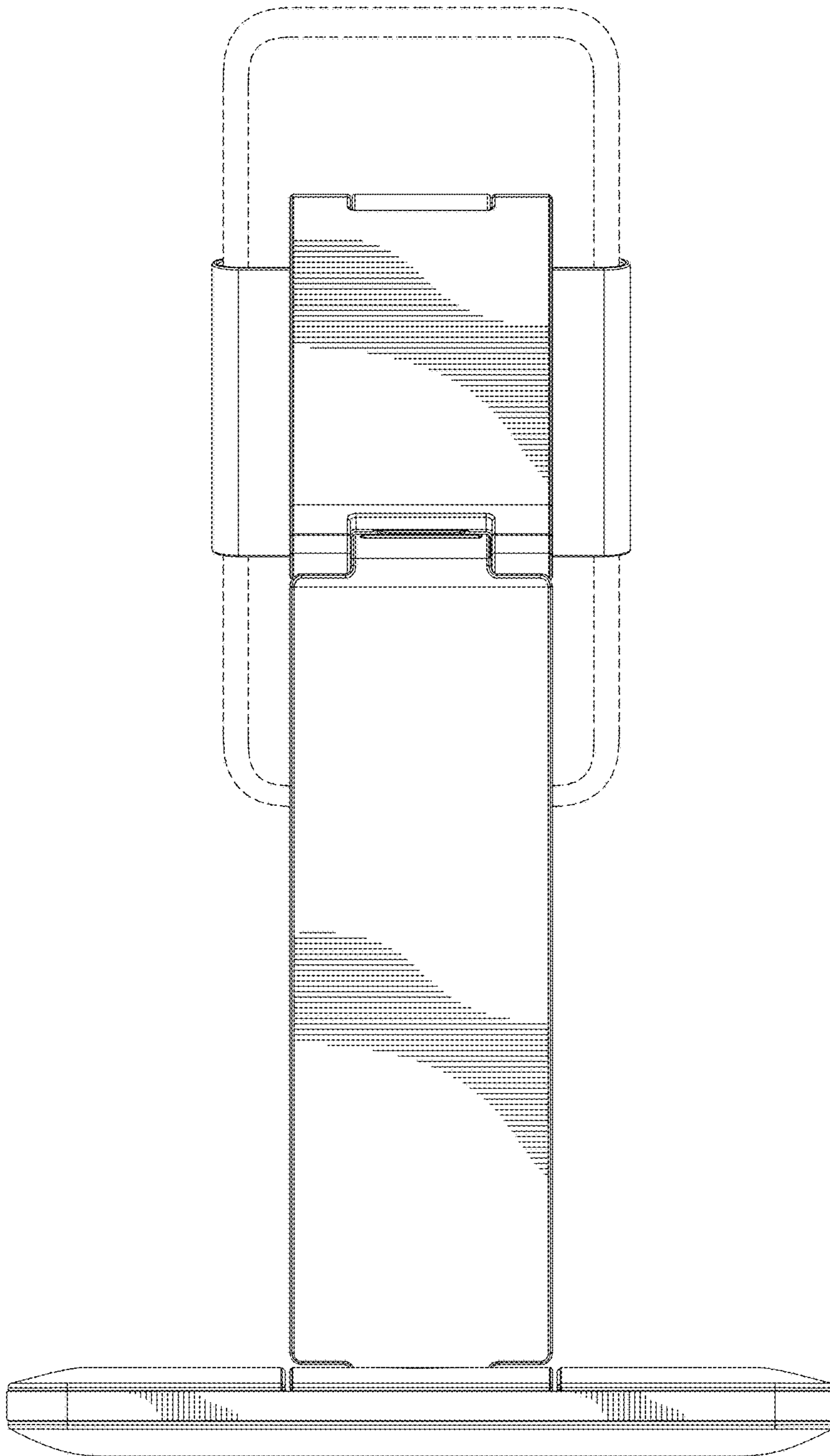
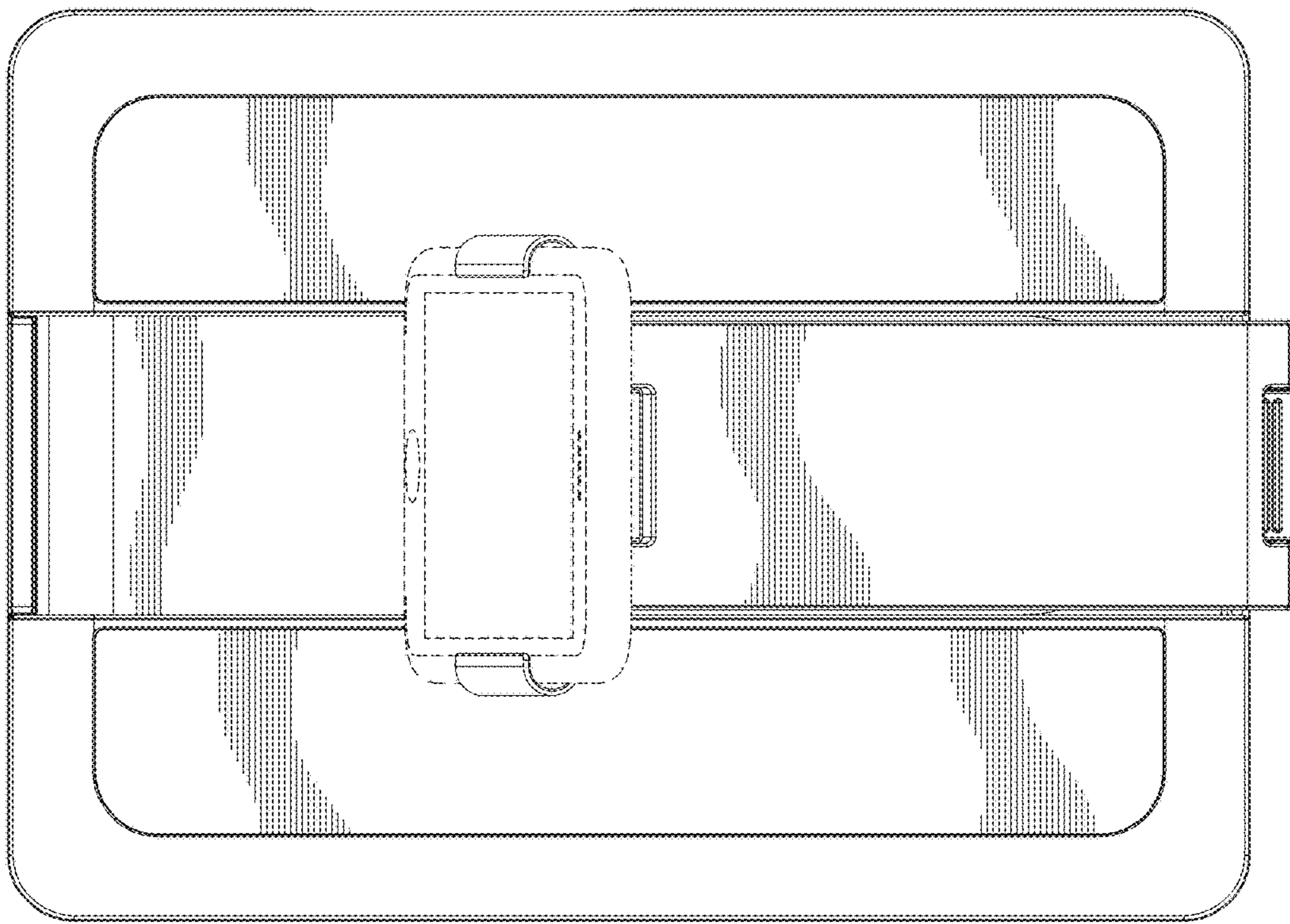
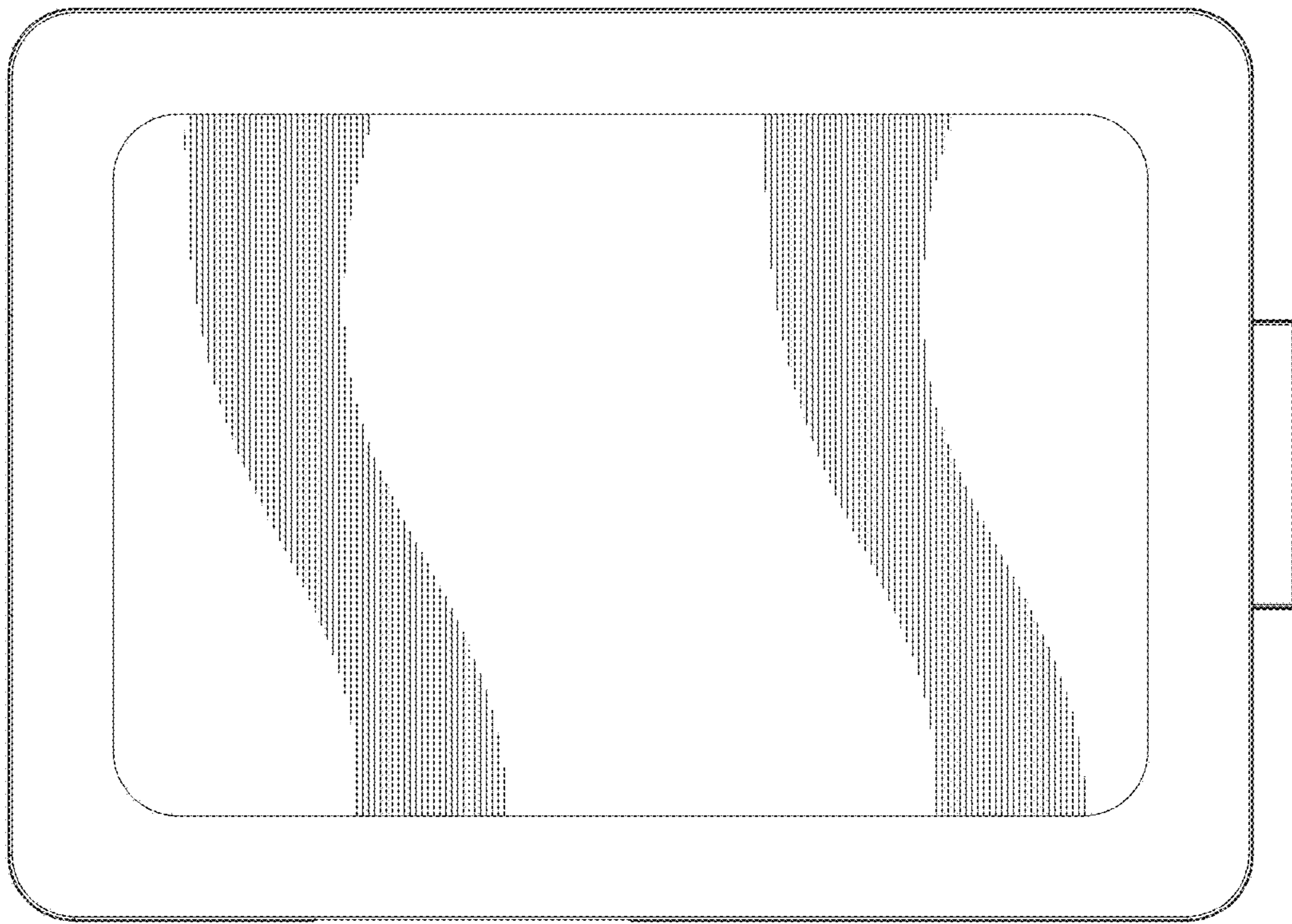


FIG. 14



*FIG. 15*



*FIG. 16*