



US00D833445S

(12) **United States Design Patent** (10) **Patent No.:** **US D833,445 S**
Xie (45) **Date of Patent:** **** Nov. 13, 2018**

(54) **PORT ADAPTER**

(71) Applicant: **YONGCAI ELECTRONICS(SHENZHEN) CO., LTD**, Shenzhen (CN)

(72) Inventor: **Xuexiang Xie**, Dongguan (CN)

(73) Assignee: **YONGCAI ELECTRONICS(SHENZHEN) CO., LTD**, Shenzhen (CN)

(**) Term: **15 Years**

(21) Appl. No.: **29/615,515**

(22) Filed: **Aug. 29, 2017**

(30) **Foreign Application Priority Data**

Aug. 22, 2017 (CN) 2017 3 0389717

(51) **LOC (11) Cl.** **14-02**

(52) **U.S. Cl.**
USPC **D14/433**

(58) **Field of Classification Search**
USPC D14/240, 242, 356, 358, 363, 365, 367, D14/370, 432-437, 439, 498, 125, 366, D14/168, 496; D13/147, 164, 123, 133, D13/146, 110, 199, 103, 162, 159, 160, D13/184; 361/683, 684, 686, 724, 735, 361/737, 752; D18/40
CPC H01R 25/006; H01R 27/02; H01R 31/005; G06F 13/4022; G06F 13/382; G06F 1/1632; G06F 1/1684; G06F 1/20; G06F 1/1607

See application file for complete search history.

(56) **References Cited**

U.S. PATENT DOCUMENTS

D516,030 S * 2/2006 Han D13/147
D733,142 S * 6/2015 Solomon D14/433

D743,965 S * 11/2015 Laffon de Mazieres D13/154
D746,291 S * 12/2015 Solomon D14/433
D760,720 S * 7/2016 Laffon de Mazieres D14/433
D761,262 S * 7/2016 Solomon D14/433
D779,492 S * 2/2017 Lin D14/433
D784,340 S * 4/2017 Laffon de Mazieres D14/433
9,636,959 B1 * 5/2017 Ihde H01R 13/5845
D790,069 S * 6/2017 Wong D24/187
D795,816 S * 8/2017 He D13/153
D800,731 S * 10/2017 He D14/433
D810,748 S * 2/2018 Zhang D14/433
D810,749 S * 2/2018 Zhang D14/433
D813,873 S * 3/2018 Pathak D14/433
9,935,408 B1 * 4/2018 Pathak H01R 31/065

* cited by examiner

Primary Examiner — Austin Murphy

(57) **CLAIM**

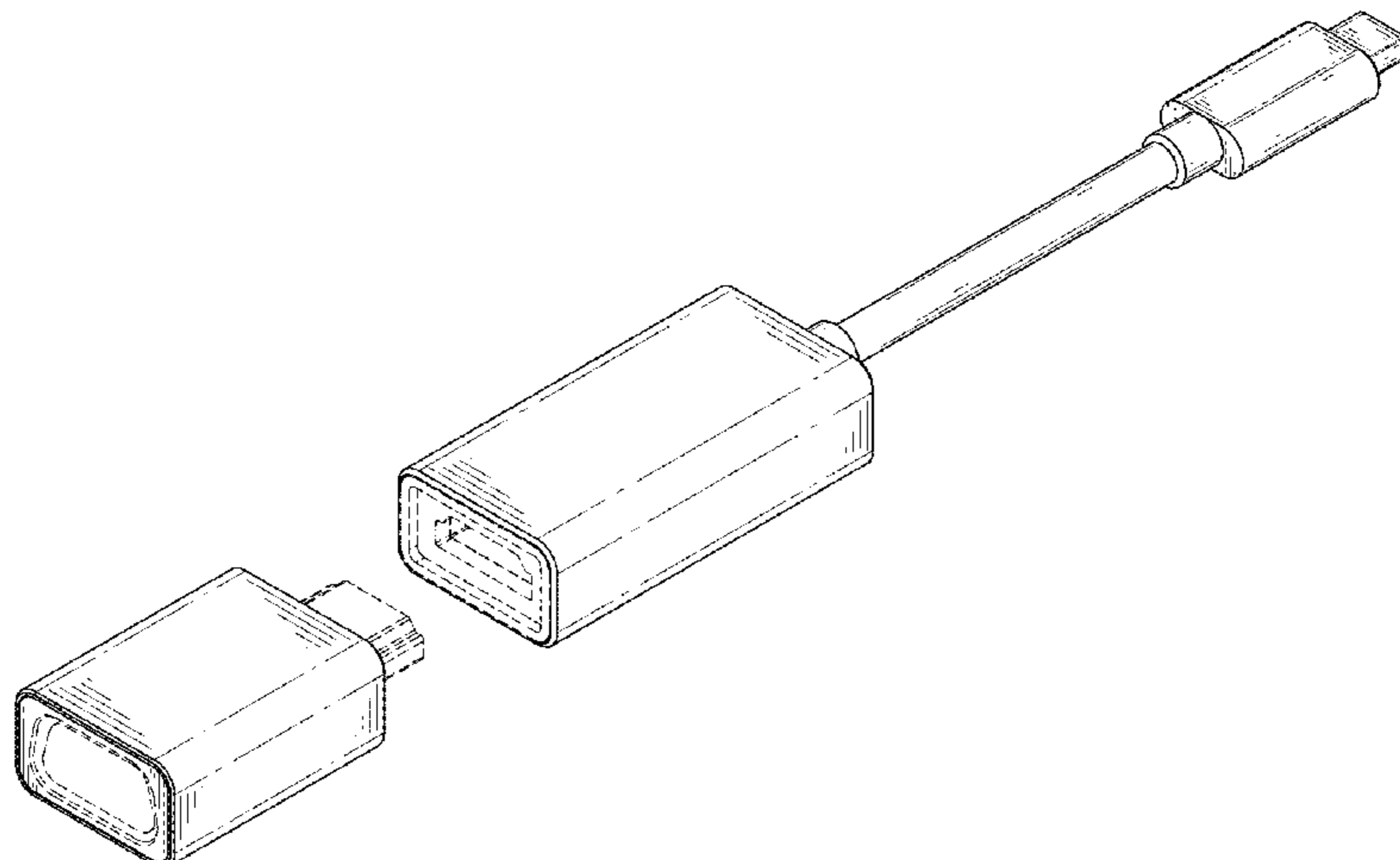
The ornamental design for a port adapter, as shown and described.

DESCRIPTION

FIG. 1 is a perspective view of the port adapter showing my new design in a first state;
FIG. 2 is similar to FIG. 1, viewed from another aspect;
FIG. 3 is a front elevational view thereof;
FIG. 4 is a rear elevational view thereof;
FIG. 5 is a left side elevational view thereof;
FIG. 6 is a right side elevational view thereof;
FIG. 7 is a top plan view thereof;
FIG. 8 is a bottom plan view thereof; and,
FIG. 9 is an exploded view of the port adapter in a second state.

The broken lines shown in the drawings are included for the purpose of illustrating portions of the port adapter which form no part of the claimed design.

1 Claim, 9 Drawing Sheets



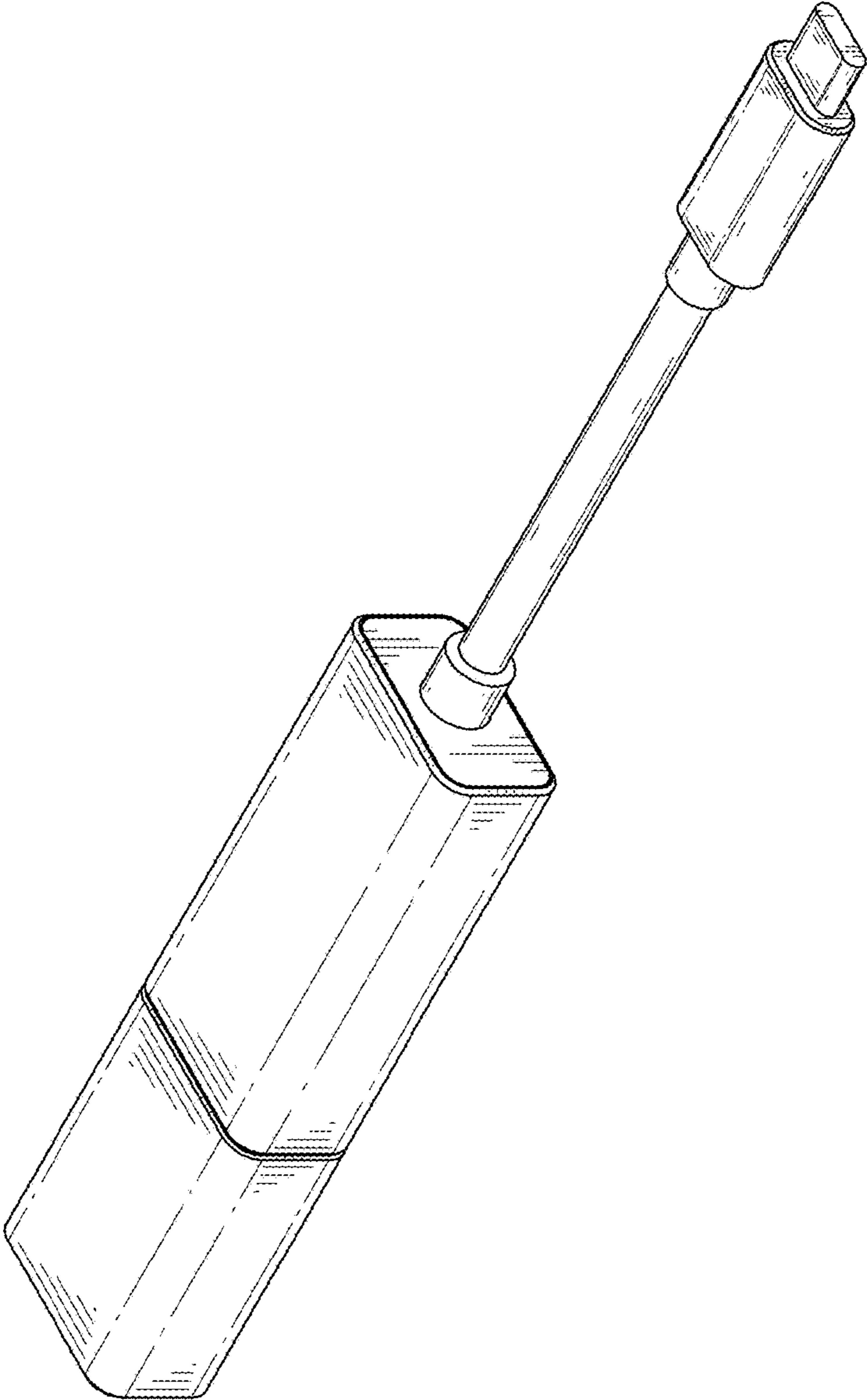


FIG. 1

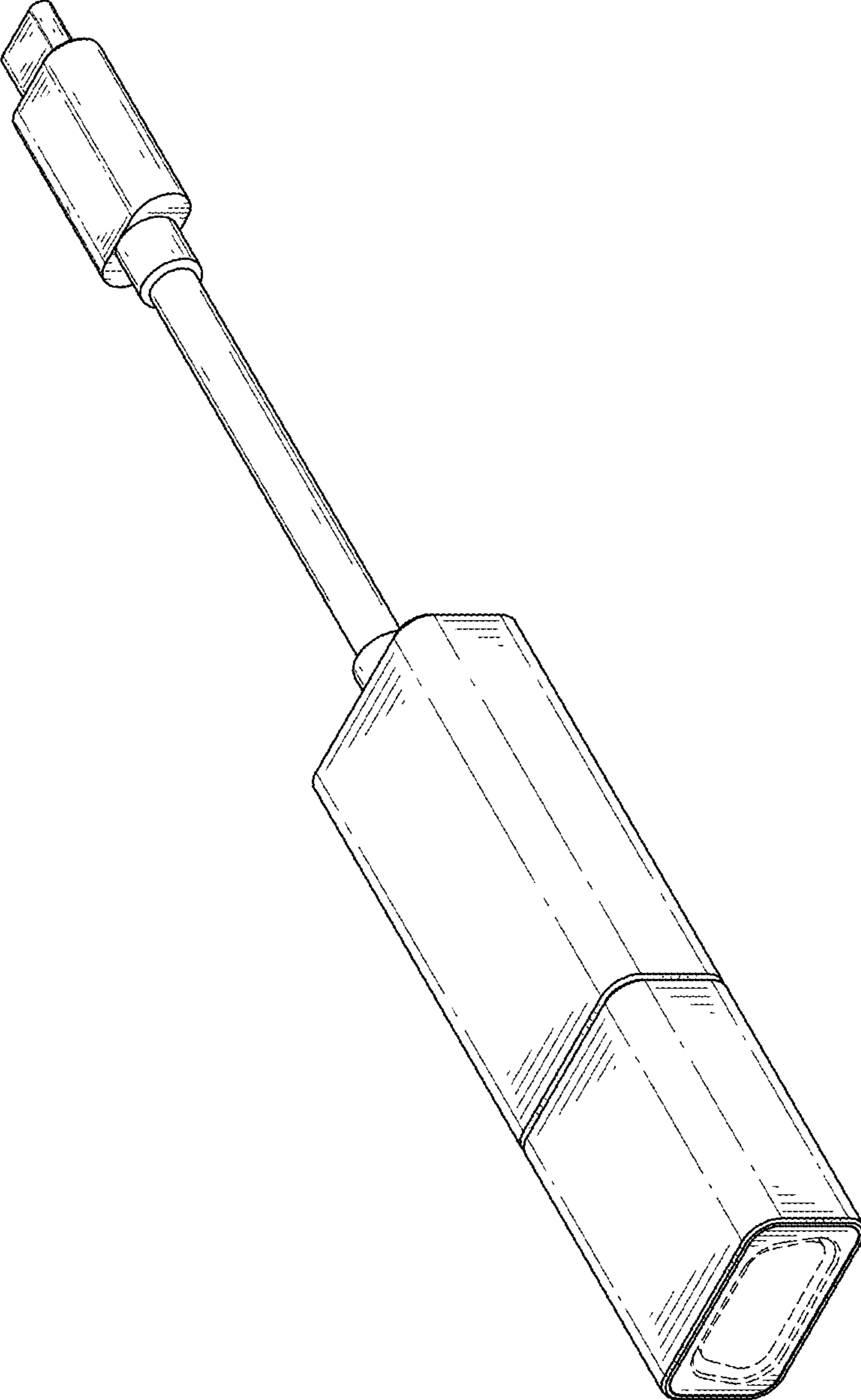


FIG. 2

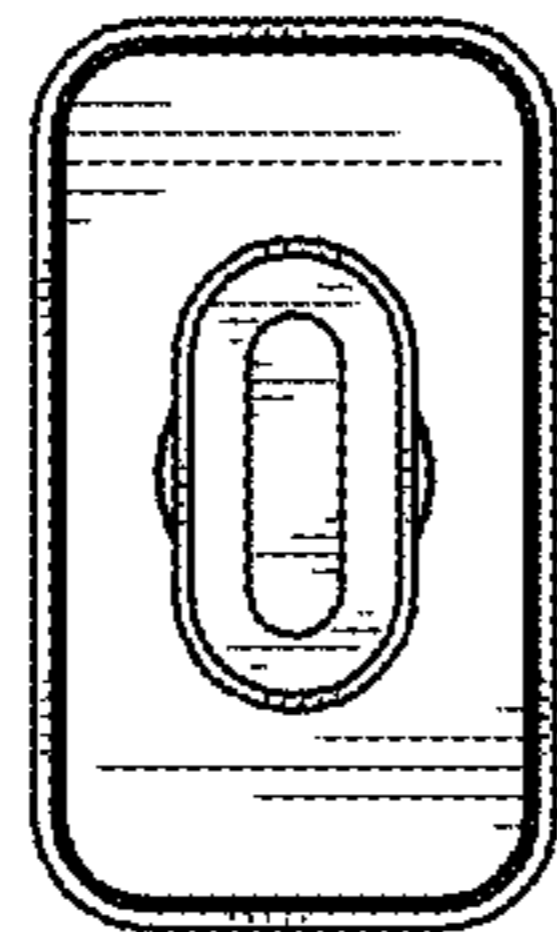


FIG. 3

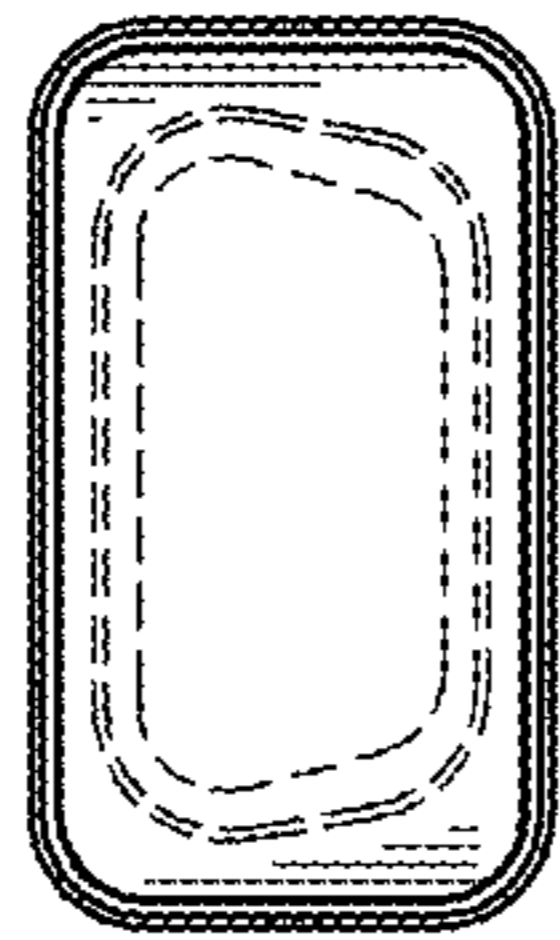


FIG. 4

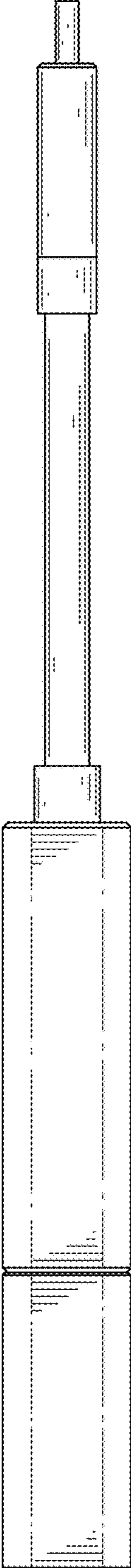


FIG. 5

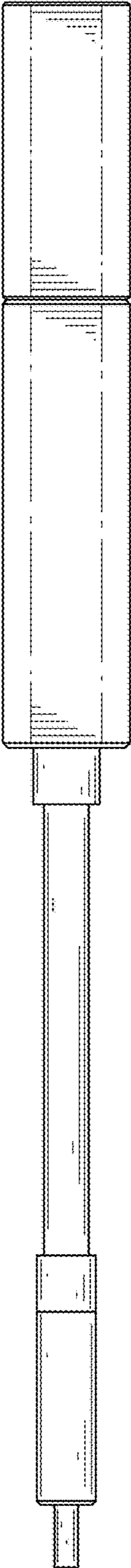


FIG. 6

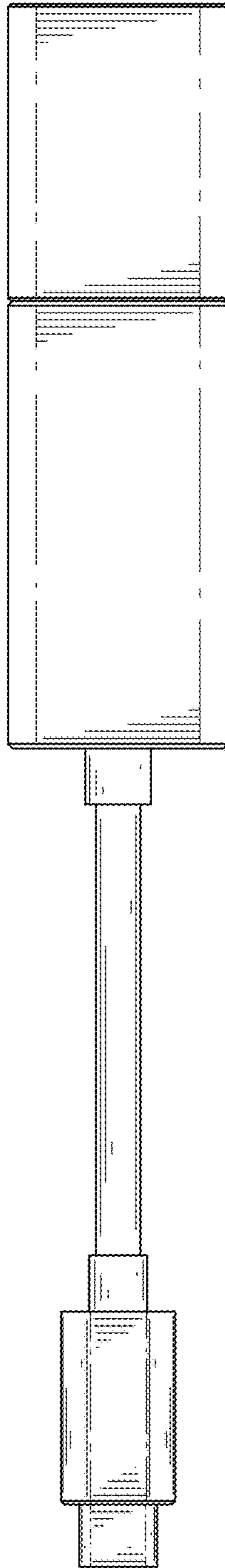


FIG. 7

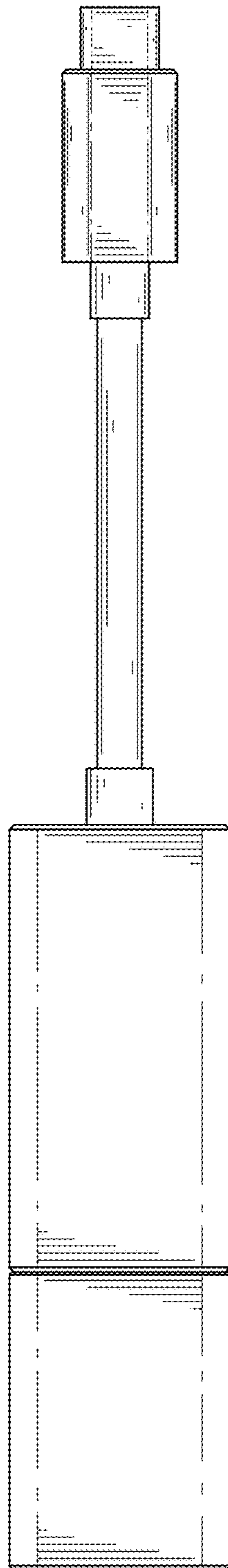


FIG. 8

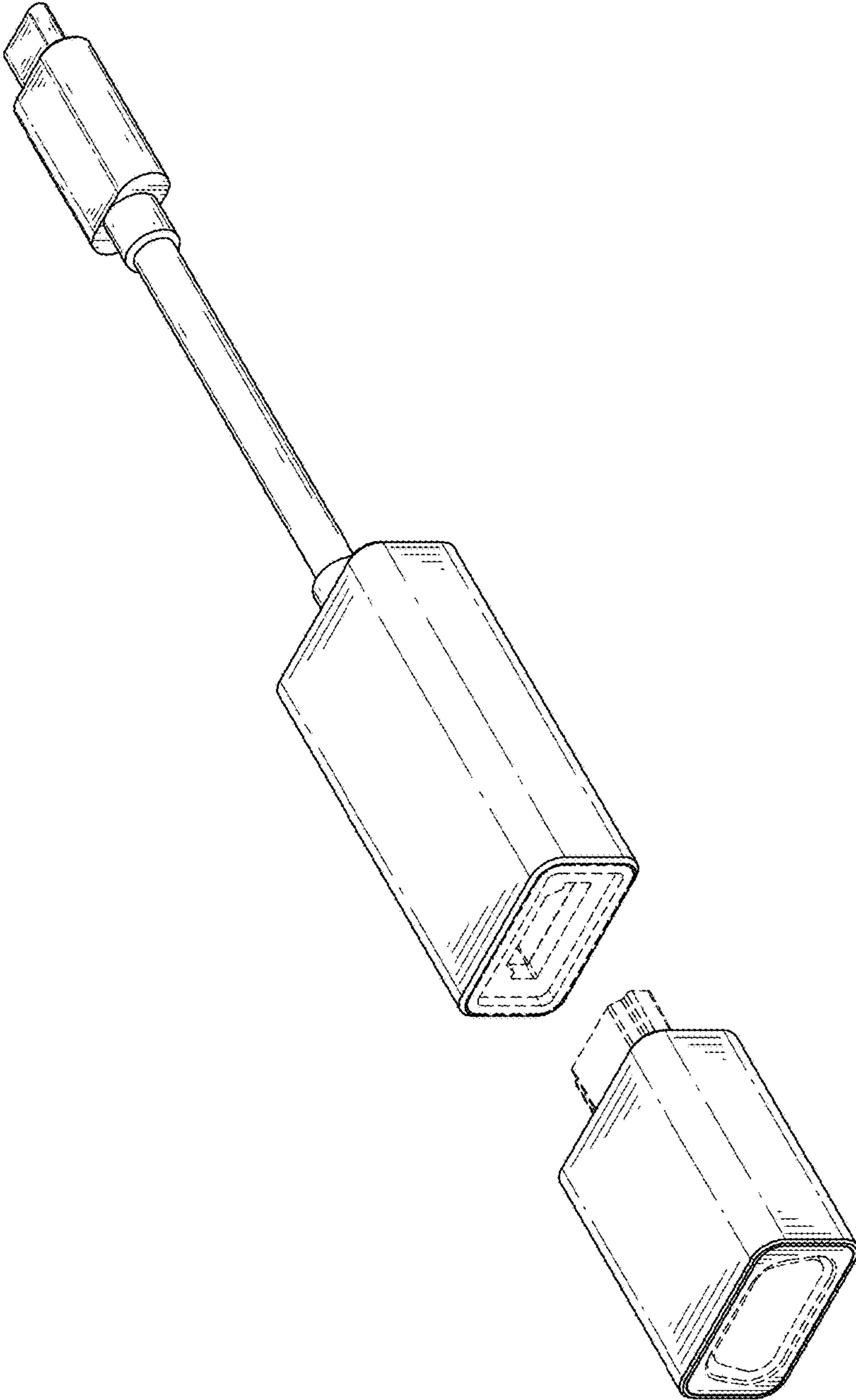


FIG. 9