



US00D833444S

(12) **United States Design Patent**  
**Chan et al.**

(10) **Patent No.:** **US D833,444 S**

(45) **Date of Patent:** **\*\* Nov. 13, 2018**

(54) **TYPE-C USB TO TYPE-C USB CONNECTOR**

(71) Applicant: **ZeroLemon LLC**, Cheyenne, WY (US)

(72) Inventors: **Stephen Ching Yat Chan**, Hong Kong (HK); **Hao Sheng Huang**, Shenzhen (CN)

(73) Assignee: **Zerolemon Technology (Shenzhen) Co., Ltd.**, ShenZhen (CN)

(\*\*) Term: **15 Years**

(21) Appl. No.: **29/600,001**

(22) Filed: **Apr. 7, 2017**

(51) **LOC (11) Cl.** ..... **14-02**

(52) **U.S. Cl.**  
USPC ..... **D14/433**

(58) **Field of Classification Search**  
USPC .... D14/432-437, 439, 217, 218, 223, 238.1, D14/240, 242, 253, 356, 358, 480.1, D14/480.6; D13/103, 110, 133, 146, 158, D13/184, 147  
CPC ..... H01R 31/00; H01R 31/06; H01R 31/065; H01R 27/00; H01R 27/02; H01R 25/00; H01R 25/003; H01R 25/006; G06F 1/1607; G06F 1/20

See application file for complete search history.

(56) **References Cited**

**U.S. PATENT DOCUMENTS**

D244,610 S *	6/1977	Gietzen	.....	D13/133
D244,611 S *	6/1977	Gietzen	.....	D13/133
D313,970 S *	1/1991	Reeves	.....	D13/147
D331,223 S *	11/1992	Hughes	.....	D13/147
D405,417 S *	2/1999	Matthews	.....	D13/133
D407,034 S *	3/1999	Santavicca	.....	D10/106.1
D449,030 S *	10/2001	Baxter	.....	D13/110
6,544,058 B1 *	4/2003	Chang	.....	H01R 31/06 439/173
D479,200 S *	9/2003	Liu	.....	D13/147

D481,997 S *	11/2003	Kihira	.....	D13/133
D530,663 S *	10/2006	Curello	.....	D13/103
D531,579 S *	11/2006	Peng	.....	D13/147
D559,193 S *	1/2008	Stavoe	.....	D13/133
D573,532 S *	7/2008	Yang	.....	D13/110
7,874,853 B2 *	1/2011	Chiang	.....	H01R 13/514 439/173
D683,721 S *	6/2013	Ho	.....	D14/240
D725,124 S *	3/2015	Lin	.....	D14/480.6
8,974,248 B2 *	3/2015	Lan	.....	H01R 13/405 439/607.01

(Continued)

**OTHER PUBLICATIONS**

Micro-USB Male to Female Right Angled Adapter, online, post date Oct. 12, 2012, <URL: <https://www.fasttech.com/product/1020707-micro-usb-male-to-female-right-angled-adapter>>, retrieved Jun. 6, 2018.\*

(Continued)

*Primary Examiner* — Jeffrey D Asch  
*Assistant Examiner* — Rebekah A Caruso  
(74) *Attorney, Agent, or Firm* — Rabin & Berdo, P.C.

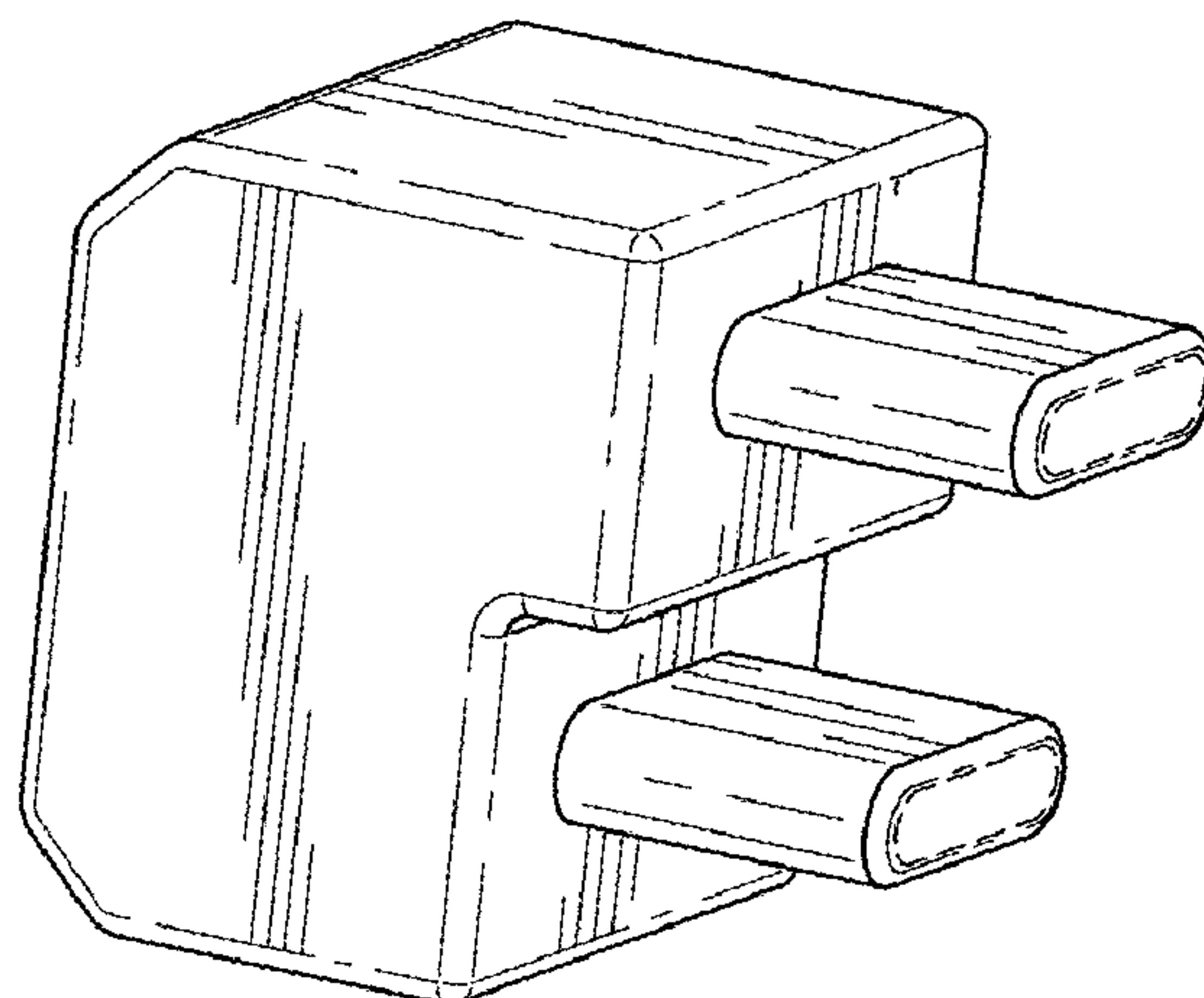
(57) **CLAIM**

The ornamental design for a type-C USB to type-C USB connector, as shown and described.

**DESCRIPTION**

FIG. 1 is a perspective view of a type-C USB to type-C USB connector;  
FIG. 2 is a front view thereof;  
FIG. 3 is a rear view thereof;  
FIG. 4 is a top view thereof;  
FIG. 5 is a bottom view thereof;  
FIG. 6 is a left side view thereof; and,  
FIG. 7 is a right side view thereof.  
The broken lines and the unshaded regions within form no part of the claimed design.

**1 Claim, 3 Drawing Sheets**



(56)

**References Cited**

## U.S. PATENT DOCUMENTS

D759,030 S \* 6/2016 Kim ..... D14/480.1  
D782,990 S \* 4/2017 Sonneman ..... D13/184  
9,882,313 B2 \* 1/2018 Steinbuchel, IV .....  
H01R 13/6456  
2003/0181082 A1 \* 9/2003 Wu ..... H01R 31/065  
439/131  
2014/0051292 A1 \* 2/2014 Weaver, Jr. .... H01R 13/6675  
439/620.21

## OTHER PUBLICATIONS

USB 2.0 90 Degree Down Male to Female, L-Adapter, online, no post date, <URL: <https://www.lindy.co.uk/cables-adapters-c1/usb-c449/usb-2-0-90-degree-down-male-to-female-l-adapter-p7155>>, retrieved Jun. 6, 2018.\*

Hame USB Right-Angle Conversion Head Adapter, online, no post date, <URL: <http://www.dx.com/p/hame-usb-right-angle-to-a1-a100-s1-router-right-angle-conversion-head-adapter-white-185694#.WxgPrNHrvDA>>, retrieved Jun. 6, 2018.\*

Right Angle USB Adapter, Micro B Male/Female, online, no post date, <URL: <http://www.l-com.com/usb-right-angle-usb-adapter-micro-b-male-female-exit-1>>, retrieved Jun. 6, 2018.\*

Right Angle USB Adapter, Type A Male/Female, online, no post date, <URL: <http://www.l-com.com/usb-right-angle-usb-adapter-type-a-male-female-exit-1>>, retrieved Jun. 6, 2018.\*

\* cited by examiner

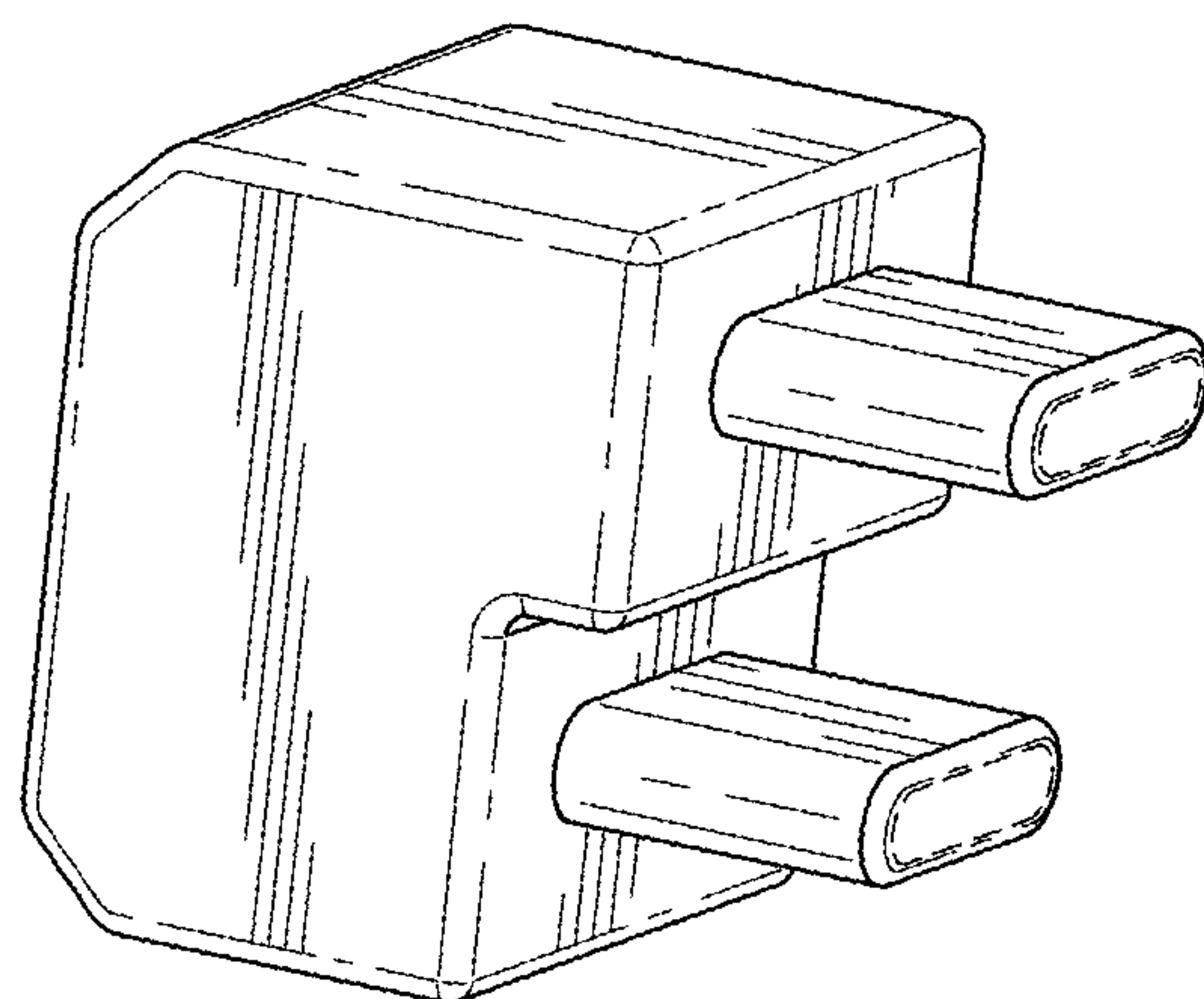


FIG. 1

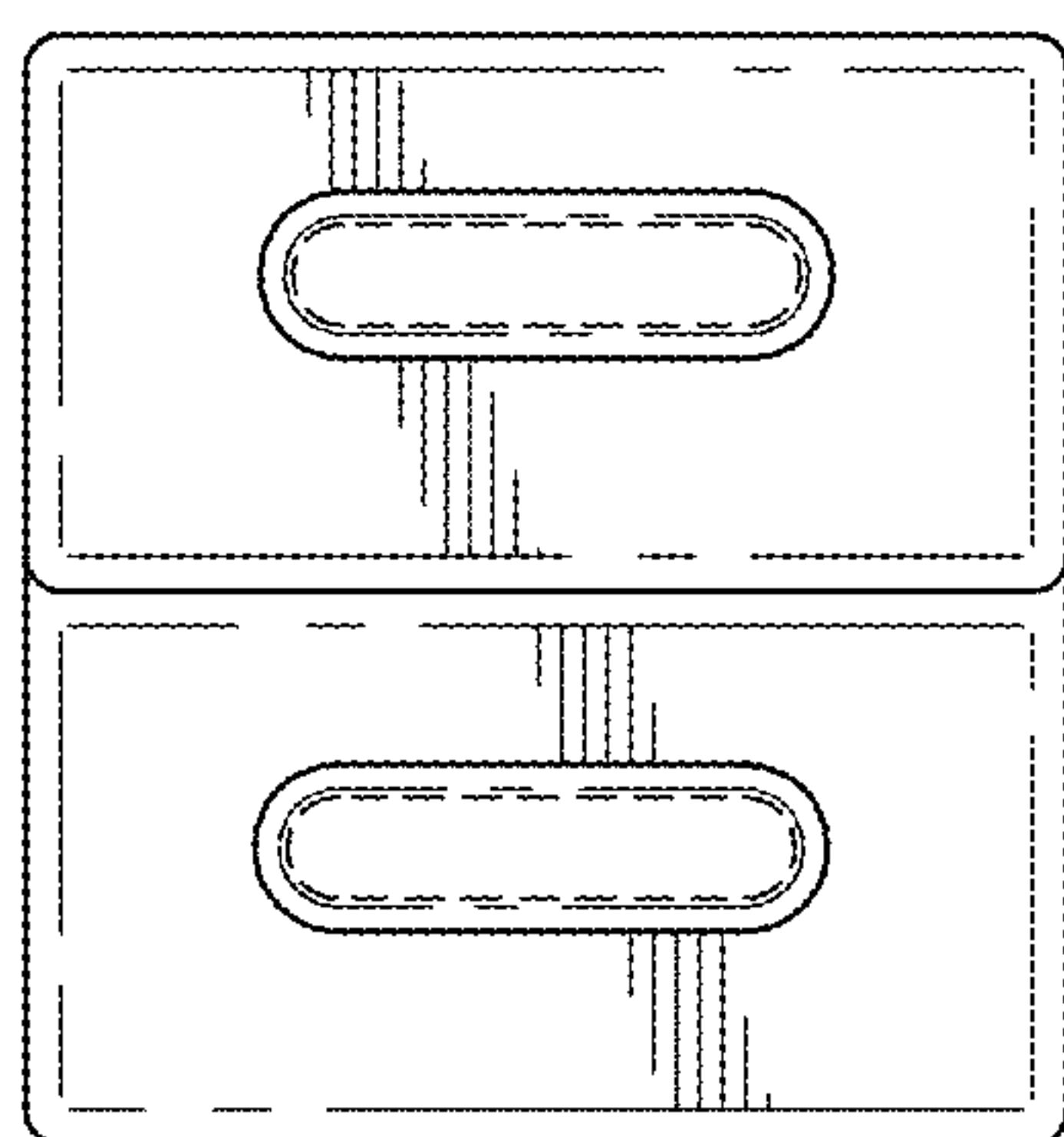


FIG. 2

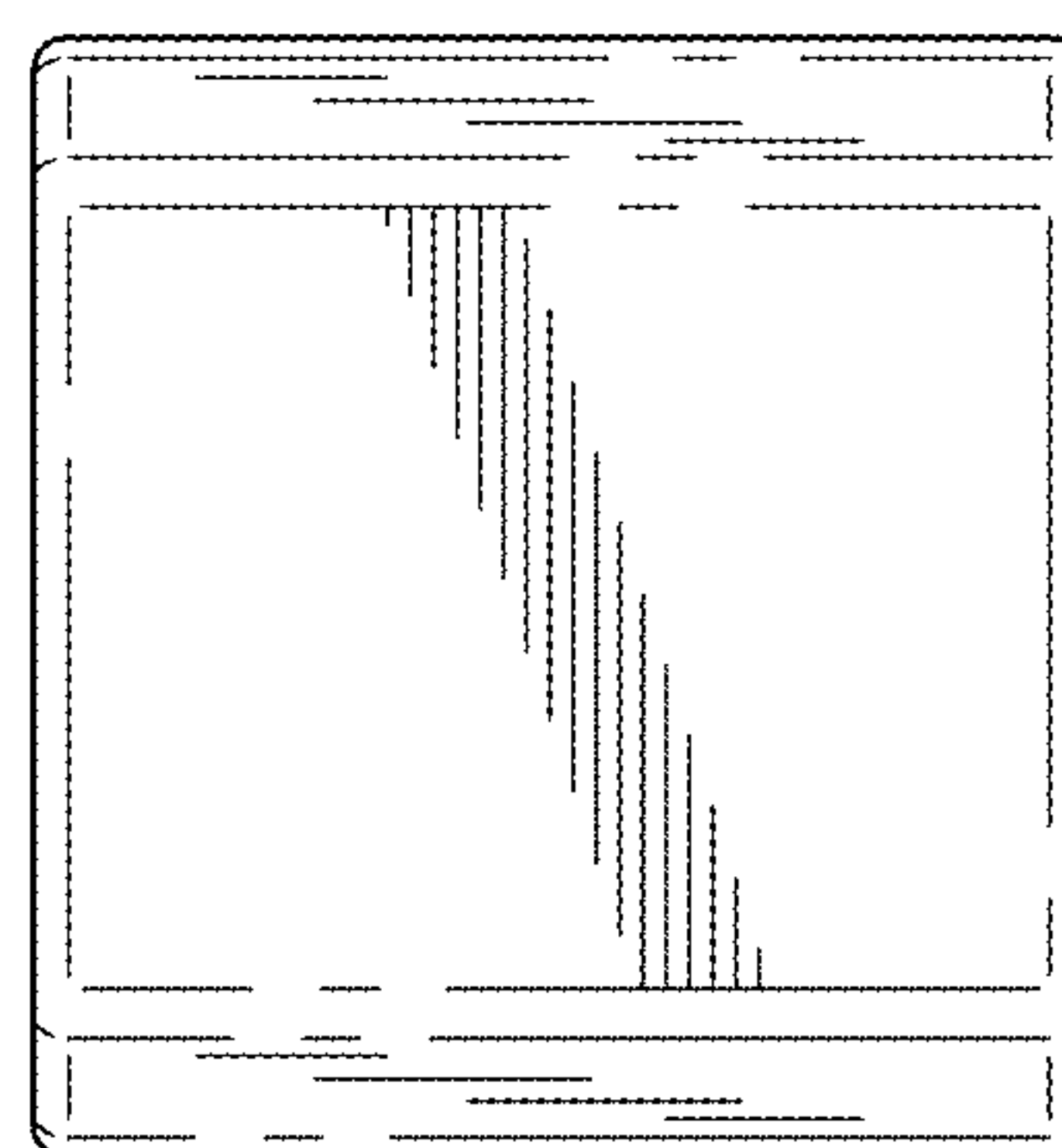


FIG. 3

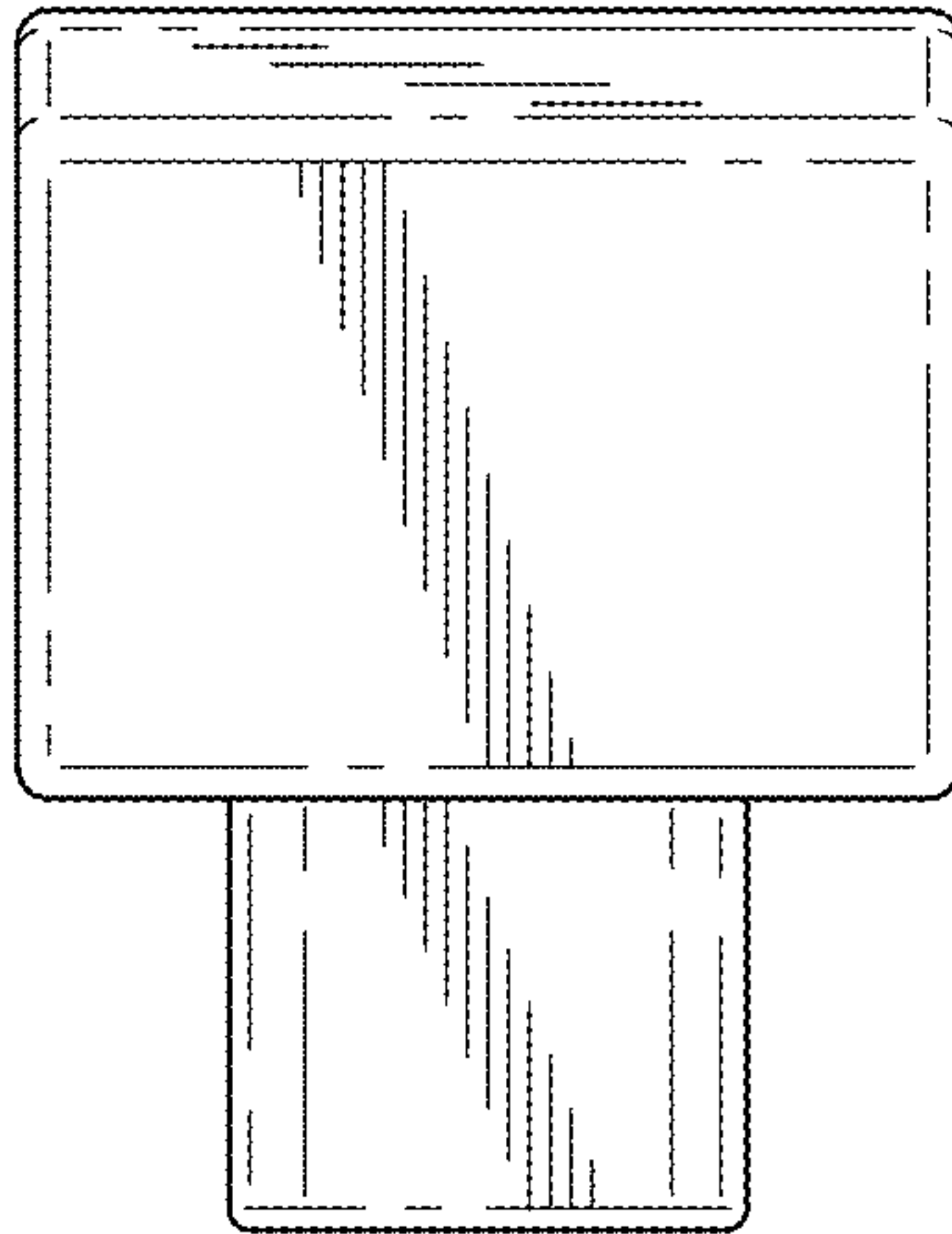


FIG. 4

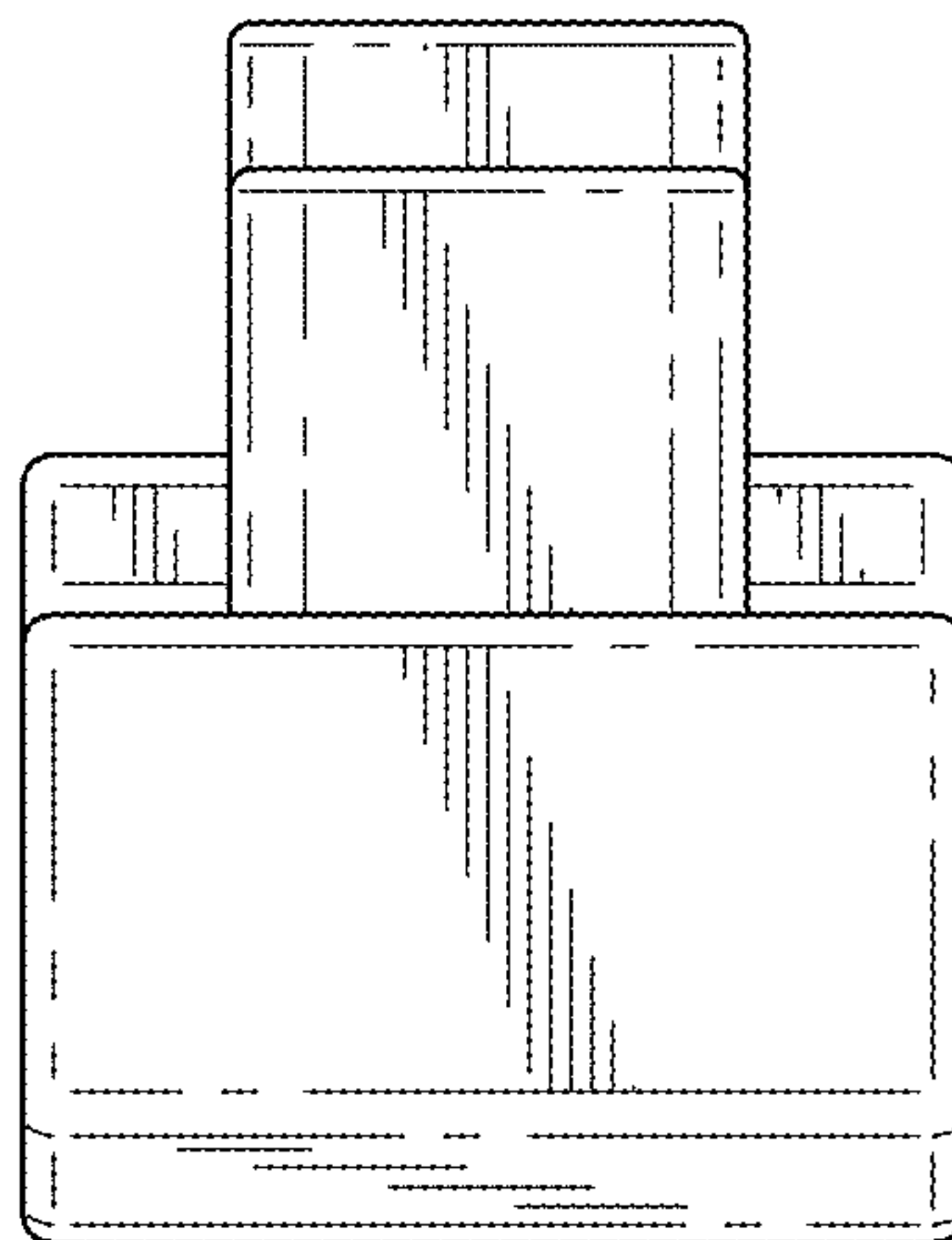


FIG. 5

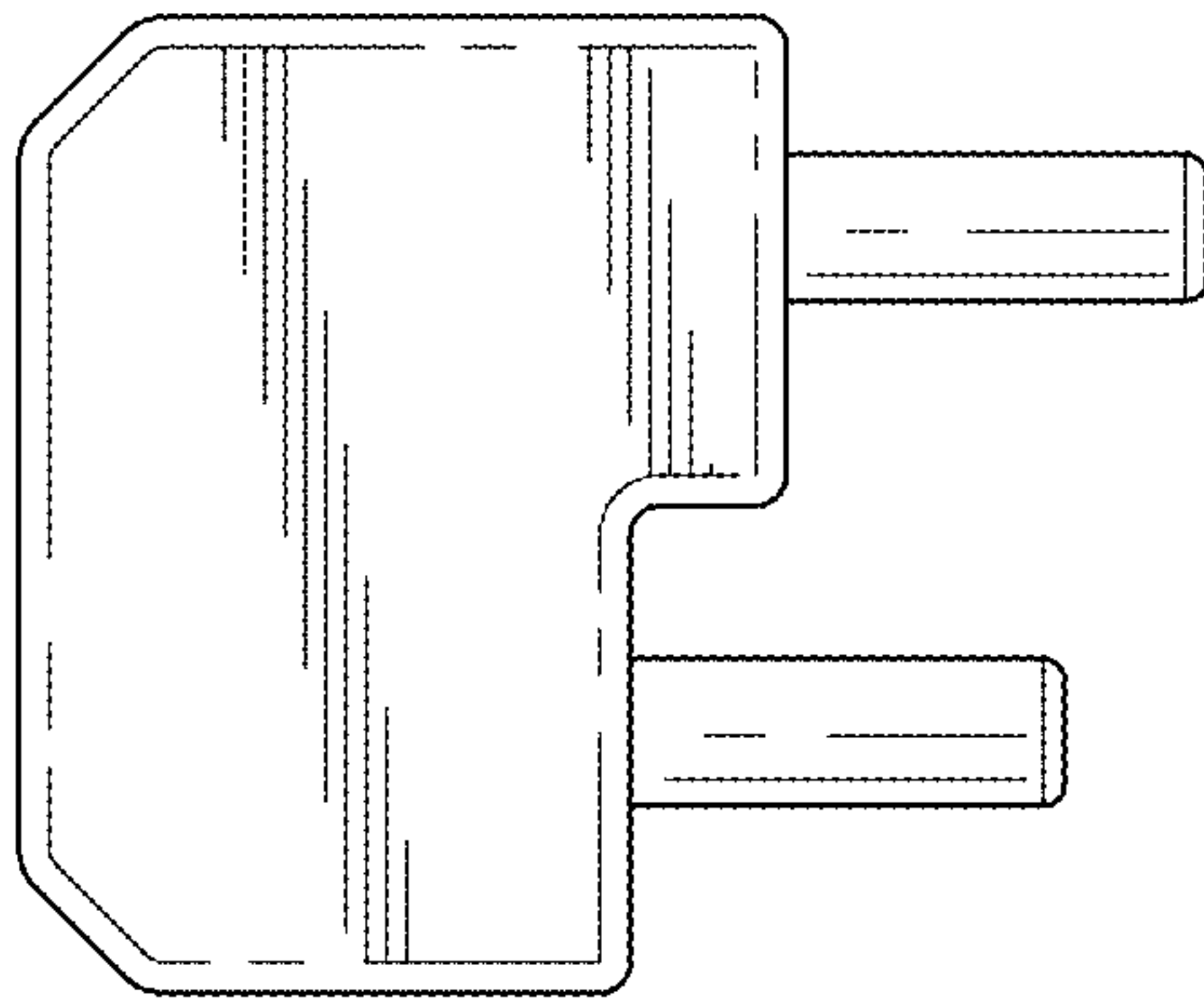


FIG. 6

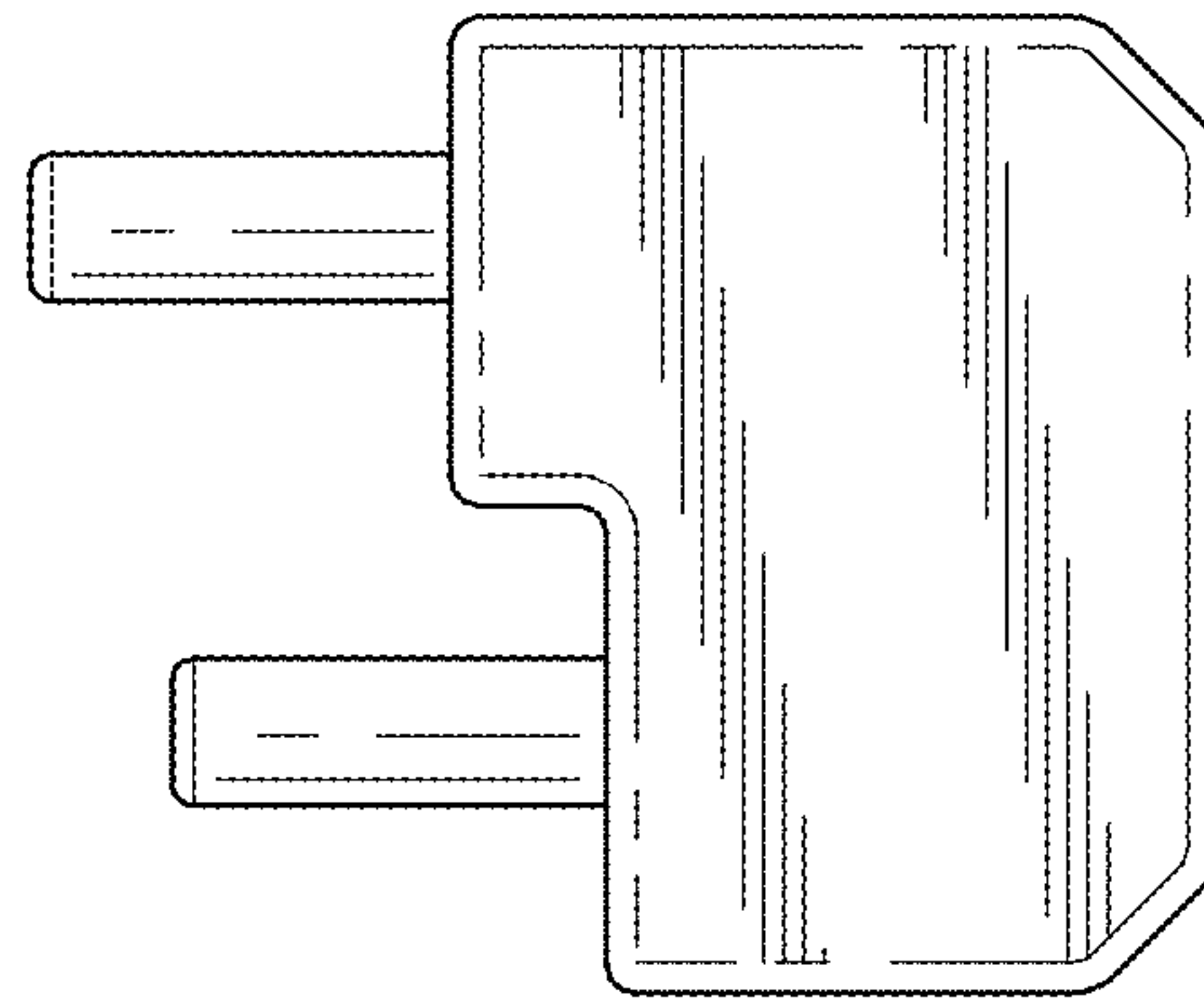


FIG. 7